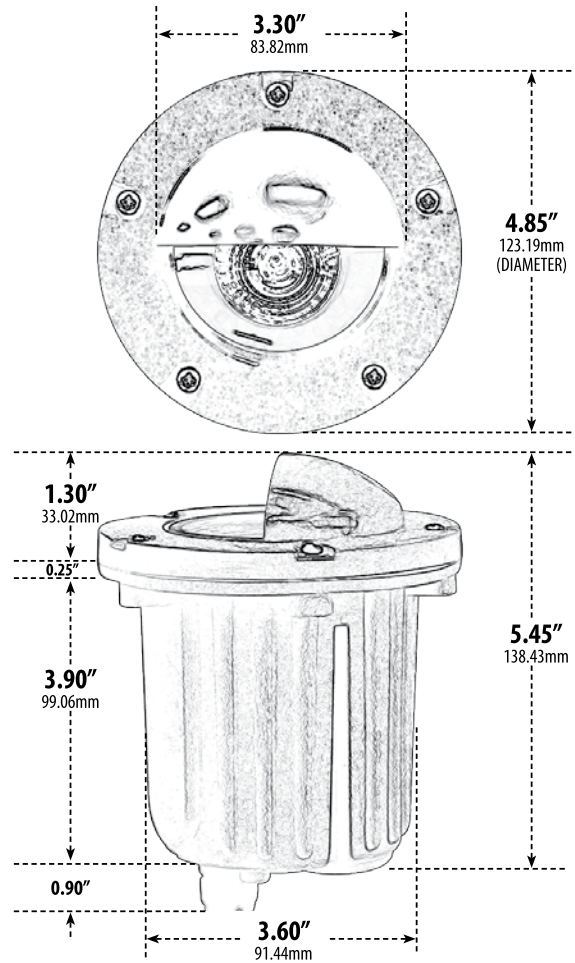


# LV344

## ADJUSTABLE IN-GROUND WELL LIGHT w/EYELID



- ▶ **Material:** Polybutylene Terephthalate (PBT)
- ▶ **Lens:** Clear, Heat Resistant, Tempered Glass
- ▶ **Lamp:** MR16 Bi-Pin Base (35W Maximum) **LED Available in 27K or 65K**

| MODEL NUMBER    | LAMP TYPE | ILLUMINANT TYPE | WATTS (W) | VOLTS (V) | LAMP(S) INCLUDED? |
|-----------------|-----------|-----------------|-----------|-----------|-------------------|
| LV344           | MR16      | HALOGEN         | 20        | 12        | YES               |
| LV344-LED3      | MR16-LED  | LED             | 3         | 12        | YES               |
| LV344-LED5      | MR16-LED  | LED             | 5         | 12        | YES               |
| LV344-LED7      | MR16-LED  | LED             | 7         | 12        | YES               |
| LV344-LED4-RGBW | MR16-LED  | LED             | 4         | 12        | YES               |

Pre-wired with UL Listed Direct Burial Wire/Cable

- ▶ **Installation Type:** Rated for In-Ground Soil and Concrete Applications
- ▶ **Available Finish:** Black, Bronze
- ▶ **RGBW Lamp Requires/Remote:** P-RMT-MR16-LED-4W-MC (sold separately)
- ▶ **ETL Approved**

### \*Corrosion Resistant-Ocean Front Placement

Overall Dimensions:  
5.45"H x 4.85"W x 4.85"D

Weight: 1.00 lbs  
Approximate Wire Length: 17"

Box Dimensions:  
6.63"H x 5.13"W x 5.13"D

**DABMAR**  
LIGHTING

DABMAR LIGHTING INCORPORATED

320 Graves Ave . Oxnard, CA 93030 . 805.604.9090 . f: 805.604.9050 . www.dabmar.com  
4693 19th Street Ct E . Bradenton, FL 34203