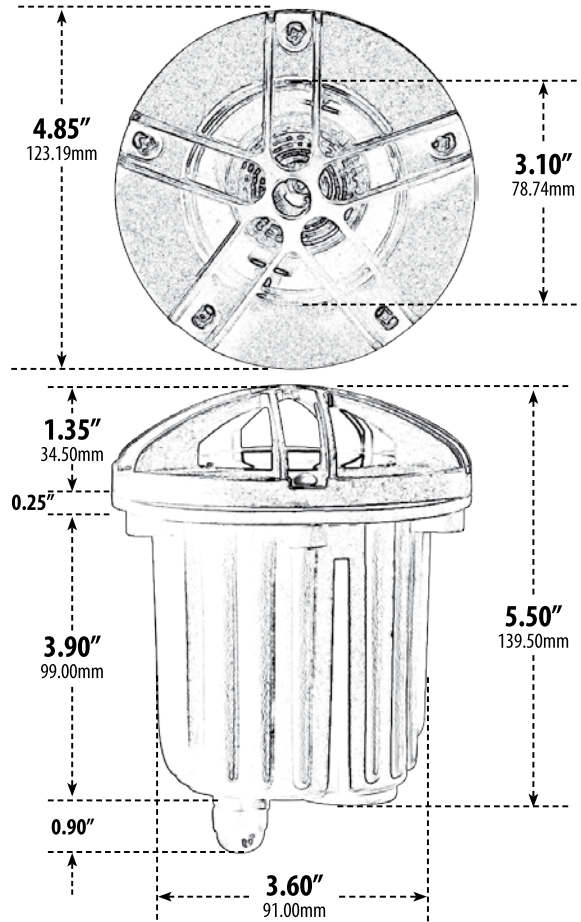


# LV343

## ADJUSTABLE IN-GROUND WELL LIGHT w/STAR GRILL



- ▶ **Material:** Polybutylene Terephthalate (PBT)
- ▶ **Lens:** Clear, Heat Resistant, Tempered Glass
- ▶ **Lamp:** MR16 Bi-Pin Base (35W Maximum)

MODEL NUMBER	LAMP TYPE	ILLUMINANT TYPE	WATTS (W)	VOLTS (V)	LAMP(S) INCLUDED?
LV343	MR16	HALOGEN	20	12	YES
LV343-LED3	MR16-LED	LED	3	12	YES
LV343-LED5	MR16-LED	LED	5	12	YES
LV343-LED7	MR16-LED	LED	7	12	YES
LV343-LED4-RGBW	MR16-LED	LED	4	12	YES

Pre-wired with UL Listed Direct Burial Wire/Cable

- ▶ **Installation Type:** Rated for In-Ground Soil and Concrete Applications
- ▶ **Available Finish:** Black, Bronze
- ▶ **RGBW Lamp Requires/Remote:** P-RMT-MR16-LED-4W-MC (sold separately)
- ▶ **ETL Approved**

### \*Corrosion Resistant-Ocean Front Placement

Overall Dimensions:  
6.40"H x 4.85"W x 4.85"D

Weight: 1.0lbs  
Approximate Wire Length: 15"

Box Dimensions:  
6.63"H x 5.13"W x 5.13"D

**DABMAR**  
LIGHTING

DABMAR LIGHTING INCORPORATED

320 Graves Ave . Oxnard, CA 93030 . 805.604.9090 . f: 805.604.9050 . www.dabmar.com  
4693 19th Street Ct E . Bradenton, FL 34203