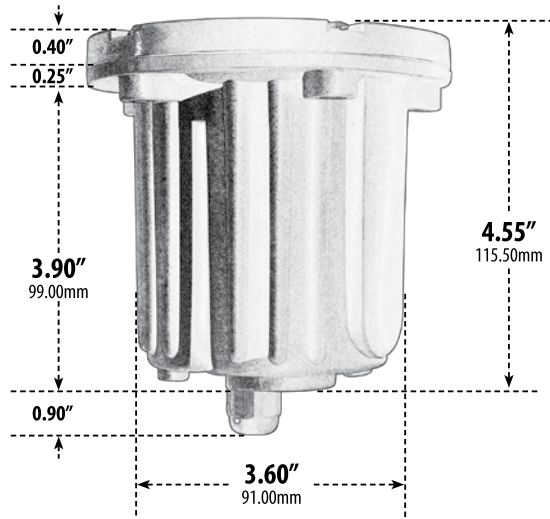
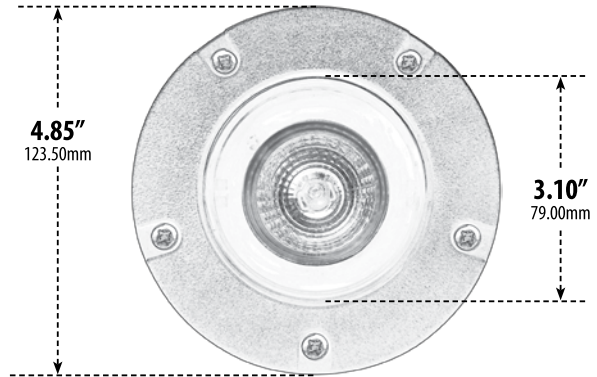


LV342

ADJUSTABLE IN-GROUND WELL LIGHT



- ▶ **Material:** Polybutylene Terephthalate (PBT), Cast Brass (Weathered Brass)
- ▶ **Lens:** Clear, Heat Resistant, Tempered Glass
- ▶ **Lamp:** MR16 Bi-Pin Base (35W Maximum) **LED Available in 27K or 65K**

MODEL NUMBER	LAMP TYPE	ILLUMINANT TYPE	WATTS (W)	VOLTS (V)	LAMP(S) INCLUDED?
LV342	MR16	HALOGEN	20	12	YES
LV342-LED3	MR16-LED	LED	3	12	YES
LV342-LED5	MR16-LED	LED	5	12	YES
LV342-LED7	MR16-LED	LED	7	12	YES
LV342-LED4-RGBW	MR16-LED	LED	4	12	YES

Pre-wired with UL Listed Direct Burial Wire/Cable

- ▶ **Installation Type:** Rated for In-Ground Soil and Concrete Applications
- ▶ **Available Finish:** Black, Bronze, Weathered Brass (Cast Brass)
- ▶ **RGBW Lamp Requires/Remote:** P-RMT-MR16-LED-4W-MC (sold separately)
- ▶ **ETL Approved**

*Corrosion Resistant-Ocean Front Placement

Overall Dimensions:
4.55"H x 4.85"W x 4.85"D

Maximum Height: 4.55"
Width: 4.85"
Maximum Depth: 4.85"

Weight: 0.0 lbs
Approximate Wire Length: 00"
Box Dimensions:
0.00"H x 0.00"W x 0.00"D

**NOW Available in Weathered Brass Finish (Cast Brass)*

DABMAR
LIGHTING

DABMAR LIGHTING INCORPORATED

320 Graves Ave . Oxnard, CA 93030 . 805.604.9090 . f: 805.604.9050 . www.dabmar.com
4693 19th Street Ct E . Bradenton, FL 34203