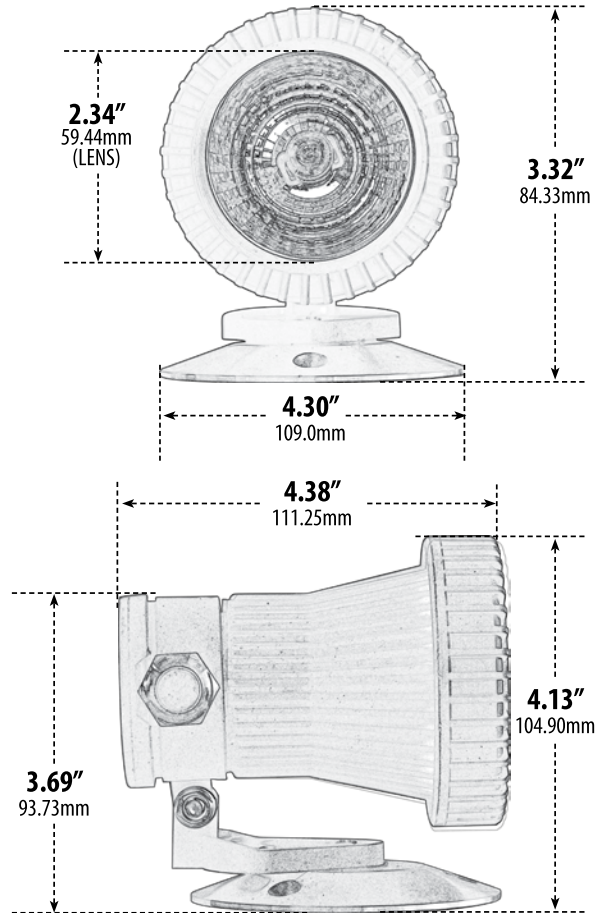


LV341

POND AND FOUNTAIN UNDERWATER LIGHT



- ▶ **Material:** Polybutylene Terephthalate (PBT)
- ▶ **Lens:** Clear, Heat Resistant, Tempered Glass
- ▶ **Lamp:** MR16 Bi-Pin Base (35W Maximum) **LED Available in 27K or 65K**

MODEL NUMBER	LAMP TYPE	ILLUMINANT TYPE	WATTS (W)	VOLTS (V)	LAMP(S) INCLUDED?
LV341	MR16	HALOGEN	20	12	YES
LV341-LED3	MR16-LED	LED	3	12	YES
LV341-LED5	MR16-LED	LED	5	12	YES
LV341-LED7	MR16-LED	LED	7	12	YES
LV341-LED4-RGBW	MR16-LED	LED	4	12	YES

- ▶ **Available Finish:** Black
- ▶ **RGBW Lamp Requires/Remote:** P-RMT-MR16-LED-4W-MC (sold separately)
- ▶ **Pre-Wired with UL Listed 21' 16/3 Underwater Cable**
- ▶ **Adjustable U-Shaped Bracket w/Stainless Steel Base**
- ▶ **Transformer:** LVT300-SUB/SS Transformer (required) Sold Separately
- ▶ **ETL Approved**

Overall Dimensions:
5.75 "H x 3.50"W x 5.50"D

Maximum Height: 6.00"
Minimum Height: 3.75"
Width: 3.50"
Maximum Depth: 7.50"
Minimum Depth: 4.50"

Weight: 2.20 lbs
Approximate Wire Length: 252"
Box Dimensions:
5.50"H x 4.75"W x 4.75"D

DABMAR
LIGHTING

DABMAR LIGHTING INCORPORATED

320 Graves Ave . Oxnard, CA 93030 . 805.604.9090 . f: 805.604.9050 . www.dabmar.com
4693 19th Street Ct E . Bradenton, FL 34203