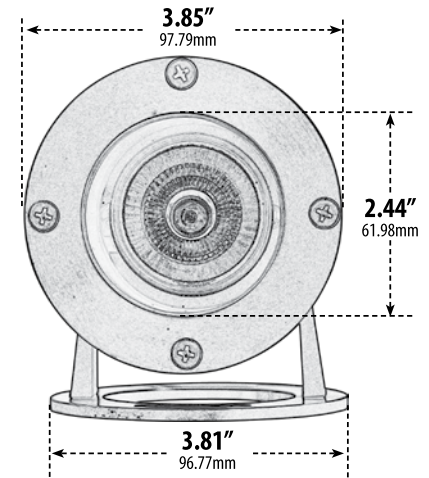
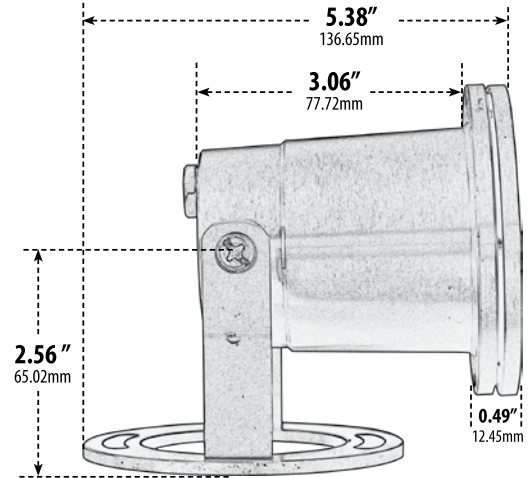


LV323

POND AND FOUNTAIN UNDERWATER LIGHT



- ▶ **Material:** Brass, 316 Stainless Steel
- ▶ **Lens:** Clear, Heat Resistant, Tempered Glass
- ▶ **Lamp:** MR16 Bi-Pin Base (50W Maximum) **LED Available in 27K or 65K**
- ▶ **Available Finish:** Brass, 316 Marine Grade Stainless Steel
- ▶ **RGBW Lamp Requires/Remote:** P-RMT-MR16-LED-4W-MC (sold separately)
- ▶ **Pre-Wired with UL Listed 21' 16/3 Underwater Cable**
- ▶ **Adjustable Bracket**
- ▶ **Transformer:** LVT300-SUB/SS Transformer (required) Sold Separately
- ▶ **ETL Approval Pending**

MODEL NUMBER	LAMP TYPE	ILLUMINANT TYPE	WATTS (W)	VOLTS (V)	LAMP(S) INCLUDED?
LV323-BS	MR16	HALOGEN	20	12	YES
LV323-LED3-BS	MR16-LED	LED	3	12	YES
LV323-LED5-BS	MR16-LED	LED	5	12	YES
LV323-LED7-BS	MR16-LED	LED	7	12	YES
LV323-LED4-BS-RGBW	MR16-LED	LED	4	12	YES
LV323-SS316	MR16	HALOGEN	20	12	YES
LV323-LED3-SS316	MR16-LED	LED	3	12	YES
LV323-LED5-SS316	MR16-LED	LED	5	12	YES
LV323-LED7-SS316	MR16-LED	LED	7	12	YES
LV323-LED4-SS316-RGBW	MR16-LED	LED	4	12	YES

Complies with UL 676 Standard
for Safety for Underwater Luminaires and Submersible Junction Boxes

Overall Dimensions: 6.50"H x 3.88"W x 6.25"D

Maximum Height: 6.75"
Minimum Height: 4.75"
Width: 3.88"
Maximum Depth: 6.75"
Minimum Depth: 3.88"

Weight: 3.60 lbs
Approximate Wire Length: 246"
Box Dimensions: 6.25"H x 4.75"W x 4.75"D
Lamp Included

DABMAR
LIGHTING

DABMAR LIGHTING INCORPORATED

320 Graves Ave . Oxnard, CA 93030 . 805.604.9090 . f: 805.604.9050 . www.dabmar.com
4693 19th Street Ct E . Bradenton, FL 34203