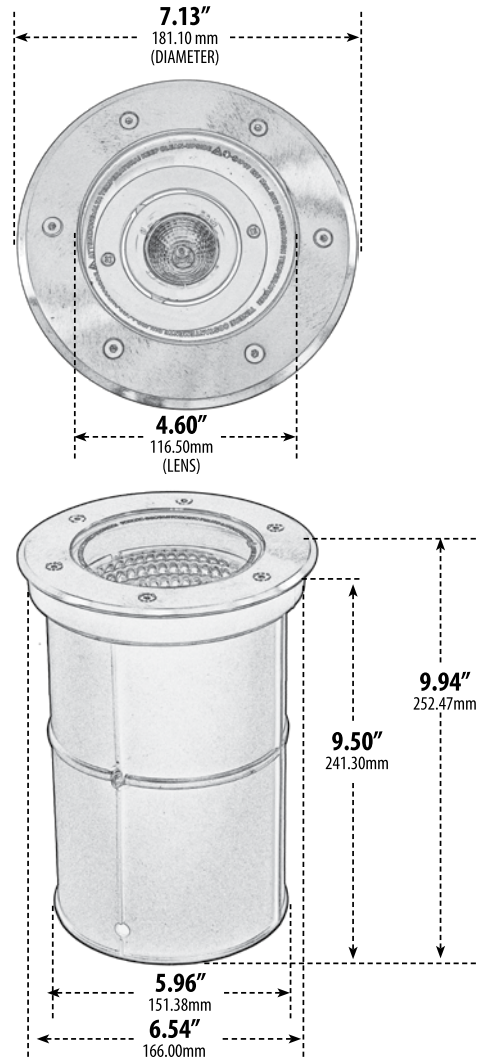


# LV312

## ADJUSTABLE IN-GROUND WELL LIGHT



- ▶ **Material:** Stainless Steel with PVC Sleeve
- ▶ **Lens:** Clear, Heat Resistant, Tempered Glass
- ▶ **Lamp:** MR16 LED Available in 27K or 65K  
PAR36 LED Available in 30K or 64K (75W Maximum)
- ▶ **Installation Type:** Rated for In-Ground Soil and Concrete Applications
- ▶ **Available Finish:** Stainless Steel
- ▶ **RGBW Lamp Requires/Remote:** P-RMT-MR16-LED-4W-MC (sold separately)
- ▶ **Lamp Adjustable:** 45° Adjustability
- ▶ **ETL Approved**

Overall Dimensions:  
9.94"H x 7.13"W x 7.13"D

Weight: 4.00 lbs  
Approximate Wire Length: n/a  
Box Dimensions:  
10.375"H x 7.25"W x 7.25"D

| MODEL NUMBER        | LAMP TYPE | ILLUMINANT TYPE | WATTS (W) | VOLTS (V) | LAMP(S) INCLUDED? |
|---------------------|-----------|-----------------|-----------|-----------|-------------------|
| LV312               | MR16      | HALOGEN         | 20        | 12        | YES               |
| LV312-LED3          | MR16-LED  | LED             | 3         | 12        | YES               |
| LV312-LED5          | MR16-LED  | LED             | 5         | 12        | YES               |
| LV312-LED7          | MR16-LED  | LED             | 7         | 12        | YES               |
| LV312-LED4-RGBW     | MR16-LED  | LED             | 4         | 12        | YES               |
| LV312/PAR           | PAR36     | HALOGEN         | 35        | 12        | YES               |
| LV312-PAR-LED4      | PAR36-LED | LED             | 4         | 12        | YES               |
| LV312-PAR-LED6      | PAR36-LED | LED             | 6         | 12        | YES               |
| LV312-PAR-LED9      | PAR36-LED | LED             | 9         | 12        | YES               |
| LV312-PAR-LED9-RGBW | PAR36-LED | LED             | 9         | 12        | YES               |

- 1- Internal adjustable socket allows aiming of spotlight
  - 2- Also available with color lamp (sold separately)
- Pre-wired with UL Listed Direct Burial Wire/Cable

**DABMAR**  
LIGHTING

DABMAR LIGHTING INCORPORATED

320 Graves Ave . Oxnard, CA 93030 . 805.604.9090 . f: 805.604.9050 . www.dabmar.com  
4693 19th Street Ct E . Bradenton, FL 34203