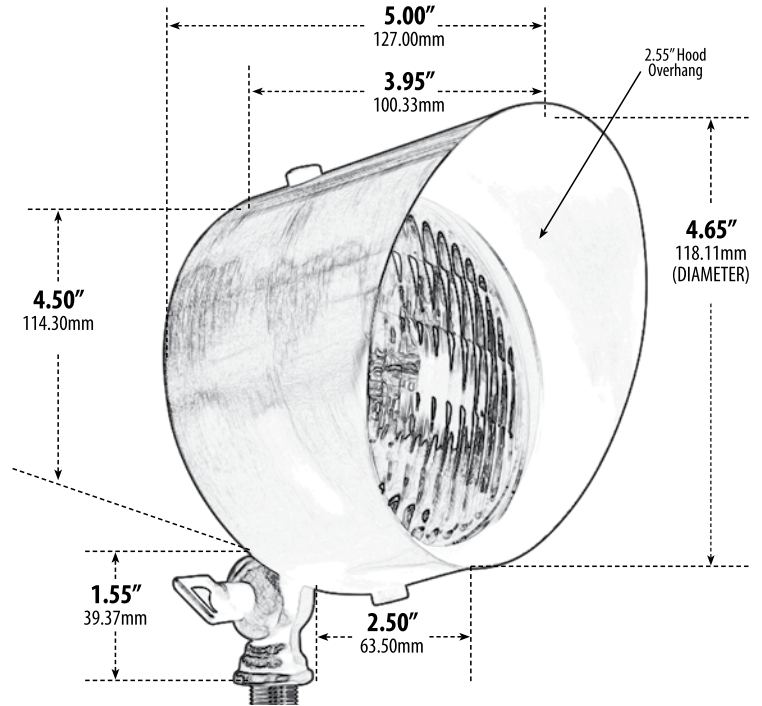


# LV30

## DIRECTIONAL FLOOD LIGHT WITH HOOD



- ▶ **Material:** Brass
- ▶ **Lens:** No Lens, Open Lamp
- ▶ **Lamp:** PAR 36 (50W Maximum)

MODEL NUMBER	LAMP TYPE	ILLUMINANT TYPE	WATTS (W)	VOLTS (V)	LAMP(S) INCLUDED?
LV30	PAR36	HALOGEN	35	12	YES

Pre-wired with UL Listed Direct Burial Wire/Cable

- ▶ **Adjustable Knuckle with 1/2" NPT**
- ▶ **Ground Spike Included for Installation**
- ▶ **Connector Available:** P-CN01 (sold separately)
- ▶ **Available Finish:** Copper, Antique Brass, Antique Bronze, Acid Green
- ▶ **ETL Approved**

Overall Dimensions:  
6.20"H x 4.65"W x 5.00"D

Maximum Height: 8.5"  
Minimum Height: 7.0"  
Width: 4.65"  
Maximum Depth: 7.0"  
Minimum Depth: 4.50"

Weight: 1.00 lbs  
Box Dimensions:  
5.00"W x 7.88"H x 5.50"D

**DABMAR**  
LIGHTING

DABMAR LIGHTING INCORPORATED

320 Graves Ave . Oxnard, CA 93030 . 805.604.9090 . f: 805.604.9050 . www.dabmar.com  
4693 19th Street Ct E . Bradenton, FL 34203