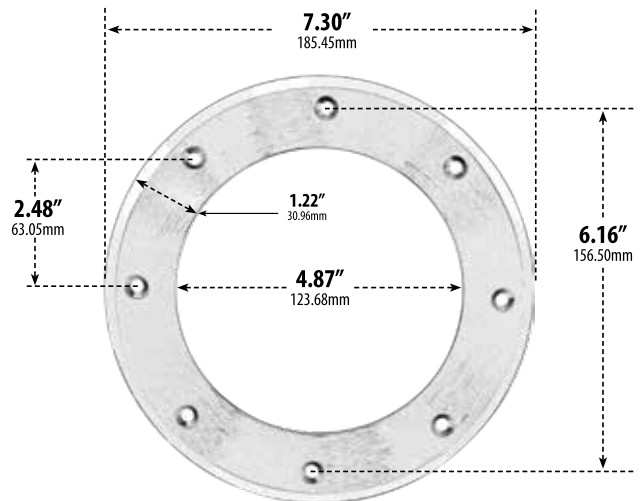
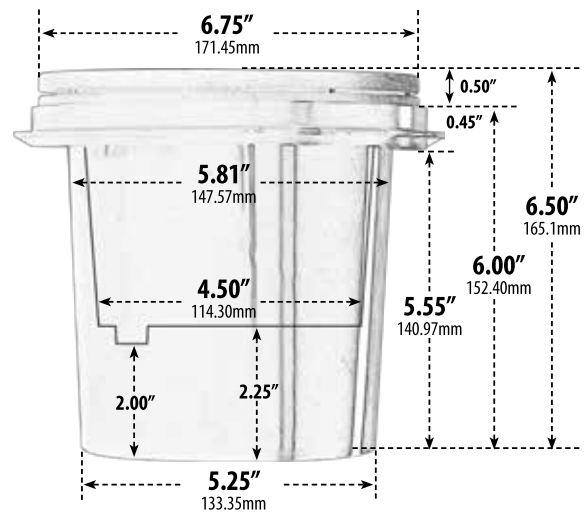
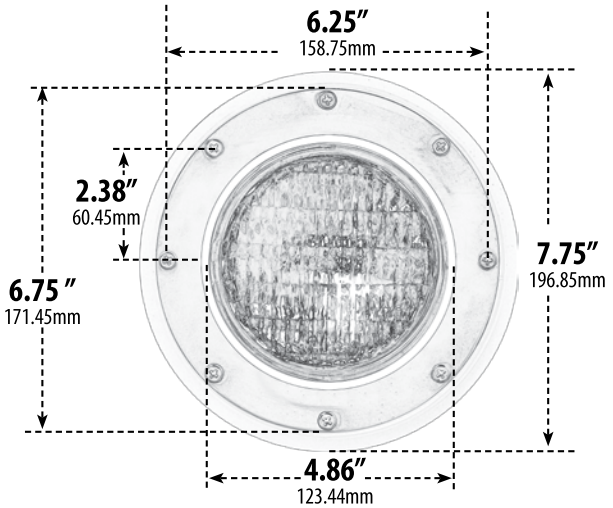


LV306-SLV

ADJUSTABLE IN-GROUND WELL LIGHT



Stainless Steel 304 Cover Specs

- ▶ **Material:** Powder Coated Cast Aluminum with PVC Sleeve
- ▶ **Lens:** Clear, Heat Resistant, Tempered Glass
- ▶ **Lamp:** PAR36 (50W Maximum) **LED Available in 30K or 64K**
- ▶ **Installation Type:** Rated for In-Ground Soil and Concrete Applications
- ▶ **Available Finish:** Black, Bronze, Green, Verde Green, *Stainless Steel 304*
- ▶ **RGBW Lamp Requires/Remote:** P-RMT-MR16-LED-4W-MC (sold separately)
- ▶ **ETL Approved**

MODEL NUMBER	LAMP TYPE	ILLUMINANT TYPE	WATTS (W)	VOLTS (V)	LAMP(S) INCLUDED?
LV306-SLV	PAR36	HALOGEN	50	12	YES
LV306-LED4-SLV	PAR36-LED	SMD LEDs	4	12	YES
LV306-LED6-SLV	PAR36-LED	SMD LEDs	6	12	YES
LV306-LED9-SLV	PAR36-LED	SMD LEDs	9	12	YES
LV306-LED9-RGBW-SLV	PAR36-LED	SMD LEDs	9	12	YES

Pre-wired with UL Listed Direct Burial Wire/Cable

Overall Dimensions: 6.50"H x 7.75"W x 7.75"D

Weight: 3.0 lbs

Approximate Wire Length: 16"

Box Dimensions: 7.00"H x 7.75"W x 7.75"D



DABMAR LIGHTING INCORPORATED

320 Graves Ave . Oxnard, CA 93030 . 805.604.9090 . f: 805.604.9050 . www.dabmar.com

4693 19th Street Ct E . Bradenton, FL 34203