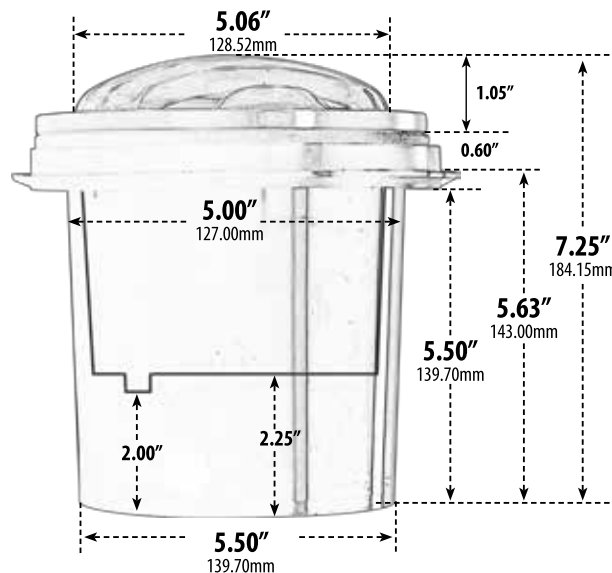
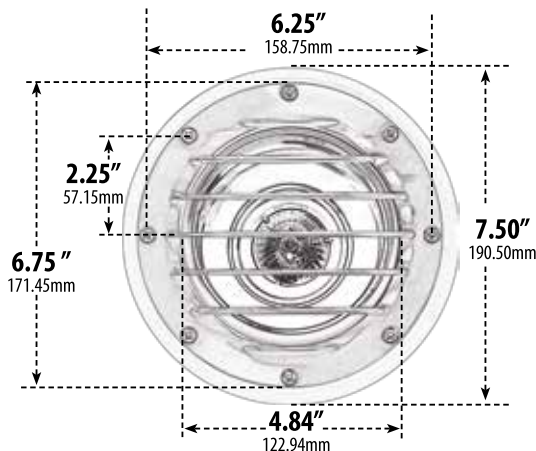


LV305-MR

ADJUSTABLE IN-GROUND WELL LIGHT w/GRILL



- ▶ **Material:** Powder Coated Cast Aluminum with PVC Sleeve
- ▶ **Lens:** Clear, Heat Resistant, Tempered Glass
- ▶ **Lamp:** MR16 Bi-Pin Base (50W Maximum) Available in 27K or 65K (LED)

MODEL NUMBER	LAMP TYPE	ILLUMINANT TYPE	WATTS (W)	VOLTS (V)	LAMP(S) INCLUDED?
LV305-MR	MR16	HALOGEN	20	12	YES
LV305-LED3-MR	MR16-LED	LED	3	12	YES
LV305-LED5-MR	MR16-LED	LED	5	12	YES
LV305-LED7-MR	MR16-LED	LED	7	12	YES
LV305-LED4-RGBW-MR	MR16-LED	LED	4	12	YES

Pre-wired with UL Listed Direct Burial Wire/Cable

- ▶ **Installation Type:** Rated for In-Ground Soil and Concrete Applications
- ▶ **Available Finish:** Black, Bronze, Green, Verde Green, Electroplated Stainless Steel
- ▶ **RGBW Lamp Requires/Remote:** P-RMT-MR16-LED-4W-MC (sold separately)
- ▶ **ETL Approved**

Overall Dimensions:
7.25"H x 7.50"W x 7.50"D

Weight: 2.80 lbs
Approximate Wire Length: 15"
Box Dimensions:
7.00"H x 8.00"W x 8.00"D



DABMAR LIGHTING INCORPORATED

320 Graves Ave . Oxnard, CA 93030 . 805.604.9090 . f: 805.604.9050 . www.dabmar.com
4693 19th Street Ct E . Bradenton, FL 34203