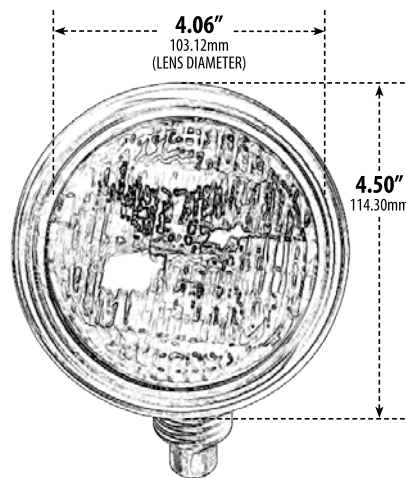
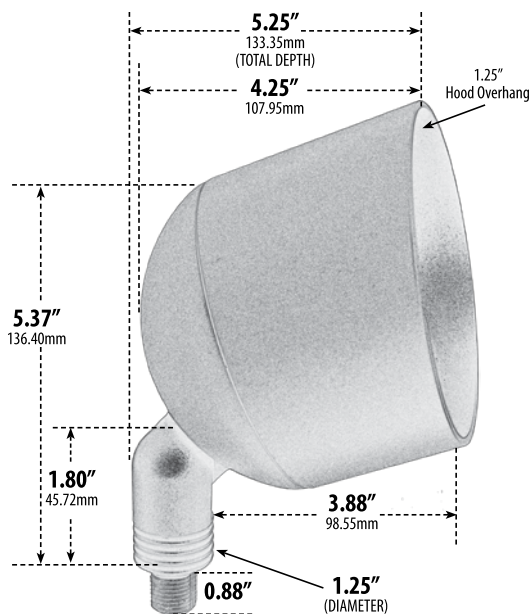


LV23

DIRECTIONAL FLOOD LIGHT WITH HOOD



- ▶ **Material:** Powder Coated Cast Aluminum
- ▶ **Lens:** Clear, Heat Resistant, Tempered Glass
- ▶ **Lamp:** PAR36 (50W Maximum) Available in 30K or 64K

MODEL NUMBER	LAMP TYPE	ILLUMINANT TYPE	WATTS (W)	VOLTS (V)	LAMP(S) INCLUDED?
LV23	PAR36	HALOGEN	35	12	YES
LV23-LED4	PAR36-LED	SMD LEDs	4	12	YES
LV23-LED6	PAR36-LED	SMD LEDs	6	12	YES
LV23-LED9	PAR36-LED	SMD LEDs	9	12	YES
LV23-LED9-RGBW	PAR36-LED	SMD LEDs	9	12	YES

Pre-wired with UL Listed Direct Burial Wire/Cable

- ▶ **Adjustable Knuckle with 1/2" NPT**
- ▶ **Ground Spike Included for Installation**
- ▶ **Connector Available:** P-CN01 (sold separately)
- ▶ **Available Color:** Black, Bronze, Verde Green
- ▶ **RGBW Lamp Requires/Remote:** P-RMT-MR16-LED-4W-MC (sold separately)
- ▶ **ETL Approved**

Overall Dimensions: 6.25"H x 4.50"W x 5.25"D
 Maximum Height: 7.00"
 Minimum Height: 5.37"
 Maximum Depth: 5.25"
 Minimum Depth: 4.88"

Weight: 1.2 lbs
 Approximate Wire Length: 18.00"
 Box Dimensions: 5.63"H x 8.88"W x 5.25"D

DABMAR
 LIGHTING

DABMAR LIGHTING INCORPORATED

320 Graves Ave . Oxnard, CA 93030 . 805.604.9090 . f: 805.604.9050 . www.dabmar.com
 4693 19th Street Ct E . Bradenton, FL 34203