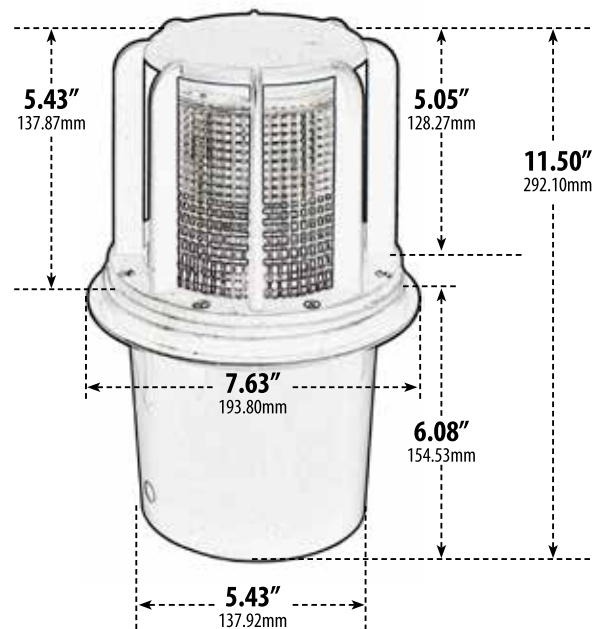
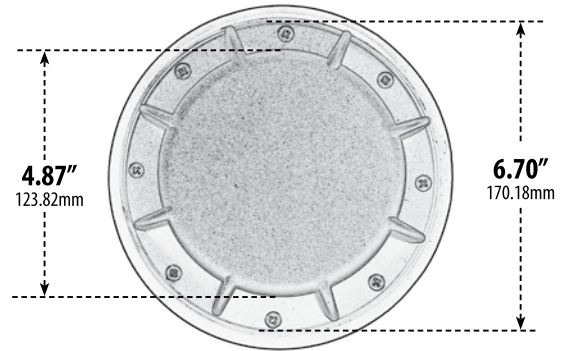


LV15

IN-GROUND WELL LIGHT



- ▶ **Material:** Powder Coated Cast Aluminum
- ▶ **Lens:** Prismatic, Heat Resistant, Tempered Glass Diffuser
- ▶ **Lamp:** PAR36

MODEL NUMBER	LAMP TYPE	ILLUMINANT TYPE	WATTS (W)	VOLTS (V)	LAMP(S) INCLUDED?
LV15	PAR36	HALOGEN	35	12	YES
LV15-LED4	PAR36-LED	SMD LEDs	4	12	YES
LV15-LED6	PAR36-LED	SMD LEDs	6	12	YES
LV15-LED9	PAR36-LED	SMD LEDs	9	12	YES
LV15-LED9-RGBW	PAR36-LED	SMD LEDs	9	12	YES

- ▶ **Installation Type:** Rated for In-Ground Soil and Concrete Applications
- ▶ **Available Finish:** Black, Verde Green
- ▶ **RGBW Lamp Requires/Remote:** P-RMT-MR16-LED-4W-MC (sold separately)
- ▶ **ETL Approval Pending**

Overall Dimensions:
11.50"H x 7.63"W x 7.63"D

Weight: 6.0 lbs
Box Dimensions:
00.0"L x 0.00"W x 0.00"D

DABMAR
LIGHTING

DABMAR LIGHTING INCORPORATED

320 Graves Ave . Oxnard, CA 93030 . 805.604.9090 . f: 805.604.9050 . www.dabmar.com
4693 19th Street Ct E . Bradenton, FL 34203