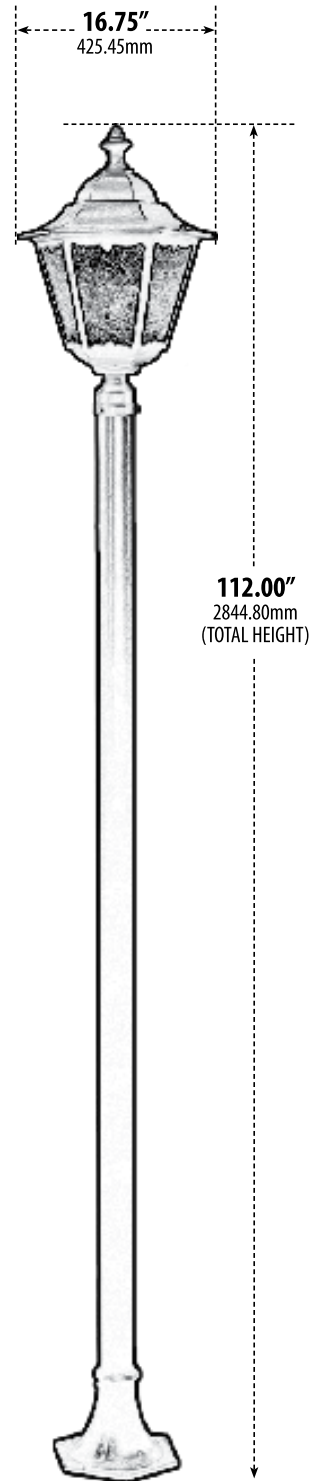
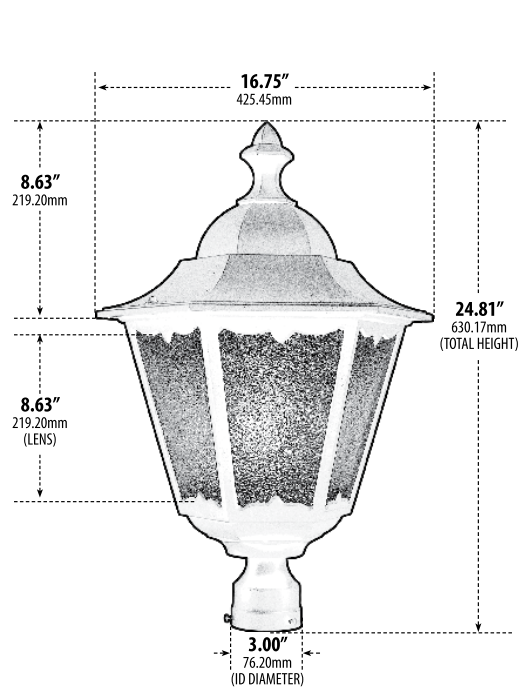


GM8130

POST FIXTURE



- ▶ **Material:** Powder Coated Cast Aluminum
- ▶ **Lens:** Clear, Crackled, Heat Resistant, Tempered Glass
- ▶ **Available Finish:** Black, Bronze, Verde Green
- ▶ **ETL Approved**



MODEL NUMBER	LAMP TYPE	ILLUMINANT TYPE	WATTS (W)	VOLTS (V)	LAMP(S) INCLUDED?
GM8130**	A-Type	Incandescent	60	120	NO
GM8130-LED20	G24-LED	140 LEDs	20	120-277	YES
GM8130-LED30	TUBULAR LED	168 LEDs	30	85-265	YES
GM8133	HID	HPS	35	120	YES
GM8134	HID	HPS	50	120	YES
GM8134-MT	HID	HPS	50	MT	YES
GM8135	HID	HPS	70	120	YES
GM8135-MT	HID	HPS	70	MT	YES
GM8136	HID	MH	50	120	YES
GM8136-MT	HID	MH	50	MT	YES
GM8137	HID	MH	70	120	YES
GM8137-MT	HID	MH	70	MT	YES

LED Available in Warm or Cool White

Overall Dimensions:
112.00"H x 16.75"W x 16.75"D

Weight: 27.46 lbs

DABMAR
LIGHTING

DABMAR LIGHTING INCORPORATED

320 Graves Ave . Oxnard, CA 93030 . 805.604.9090 . f: 805.604.9050 . www.dabmar.com

4693 19th Street Ct E . Bradenton, FL 34203