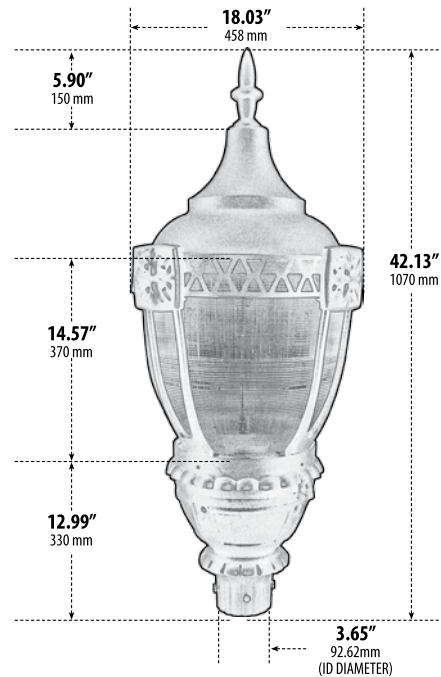
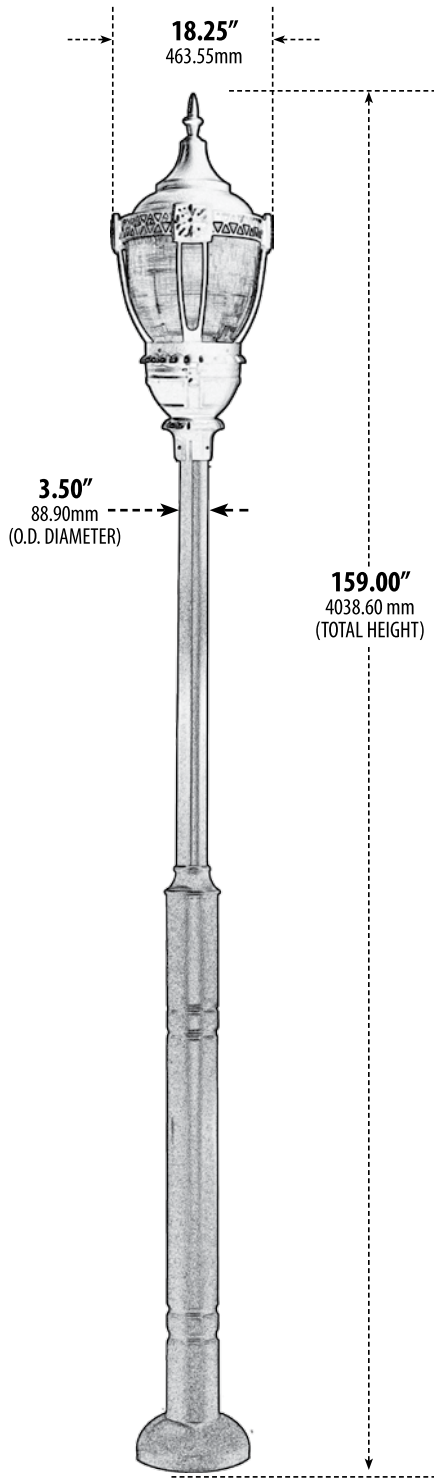


GM8050 - GM8059

DARK SKY TOP ACORN POST FIXTURE



- ▶ **Material:** Powder Coated Cast Aluminum
- ▶ **Lens:** Clear, Prismatic, Heat Resistant, Polycarbonate
- ▶ **Available Finish:** Black, Bronze, Verde Green
- ▶ **ETL Approved**

MODEL NUMBER	LAMP TYPE	ILLUMINANT TYPE	WATTS (W)	VOLTS (V)	LAMP(S) INCLUDED?
GM8050-INC	A-Type	Incandescent	150	120	NO
GM8050**	HID	HPS	70	120	YES
GM8050-MT	HID	HPS	70	MT	YES
GM8051	HID	HPS	100	120	YES
GM8051-MT	HID	HPS	100	MT	YES
GM8052	HID	HPS	150	120	YES
GM8052-MT	HID	HPS	150	MT	YES
GM8053	HID	MH	70	120	YES
GM8053-MT	HID	MH	70	MT	YES
GM8054	HID	MH	100	120	YES
GM8054-MT	HID	MH	100	MT	YES
GM8055	HID	MH	150	120	YES
GM8055-MT	HID	MH	150	MT	YES
GM8056	HID	MH	175	120	YES
GM8056-MT	HID	MH	175	MT	YES
GM8057	HID	MH	50	120	YES
GM8057-MT	HID	MH	50	MT	YES
GM8058	HID	HPS	35	120	YES
GM8059	HID	HPS	50	120	YES
GM8059-MT	HID	HPS	50	MT	YES

Overall Dimensions:
159.00"H x 18.25"W x 18.25"D

Weight: 77.7 lbs

**AVAILABLE IN 75W LED Add -LED75 to Model Number
**AVAILABLE IN 120W LED Add -LED120 to Model Number



DABMAR LIGHTING INCORPORATED

2140 Eastman Ave . Oxnard, CA 93030 . 805.604.9090 . f: 805.604.9050 . www.dabmar.com