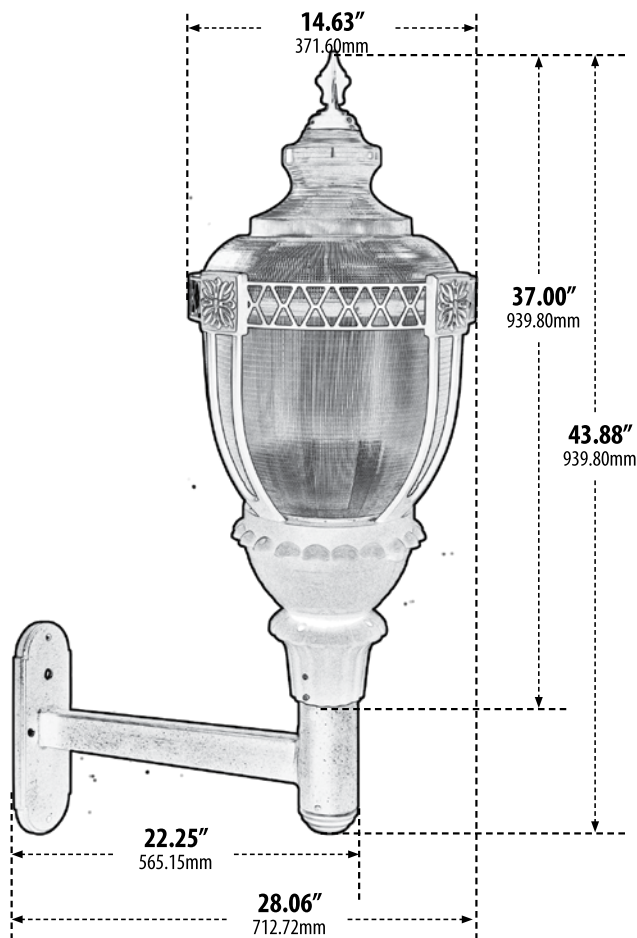


GM670

LARGE POST TOP WALL FIXTURE



- ▶ **Material:** Powder Coated Cast Aluminum
- ▶ **Lens:** Clear, Prismatic, Heat Resistant, Polycarbonate
- ▶ **Available Finish:** Black, Bronze, Verde Green
- ▶ **ETL Approval Pending**

75W LED Available in 60K
120W LED Available in 41K

Overall Dimensions:
47.63"H x 14.63"W x 28.06"D

Weight: 26.6 lbs

MODEL NUMBER	LAMP TYPE	ILLUMINANT TYPE	WATTS (W)	VOLTS (V)	LAMP(S) INCLUDED?
GM670**	A-Type	Incandescent	100	120	NO
GM670-LED75	MOGUL LED	216 LEDs	75	120-277	YES
GM670-LED120	MOGUL LED	896 LEDs	120	120-277	YES
GM671	HID	HPS/MOG	70	120	YES
GM671-MT	HID	HPS/MOG	70	MT	YES
GM672	HID	HPS/MOG	100	120	YES
GM672-MT	HID	HPS/MOG	100	MT	YES
GM673	HID	HPS/MOG	150	120	YES
GM673-MT	HID	HPS/MOG	150	MT	YES
GM674	HID	MH/MOG	70	120	YES
GM674-MT	HID	MH/MOG	70	MT	YES
GM675	HID	MH/MOG	100	120	YES
GM675-MT	HID	MH/MOG	100	MT	YES
GM676	HID	MH/MOG	150	120	YES
GM676-MT	HID	MH/MOG	150	MT	YES
GM677	HID	MH/MOG	175	120	YES
GM677-MT	HID	MH/MOG	175	MT	YES

DABMAR
LIGHTING

DABMAR LIGHTING INCORPORATED

320 Graves Ave . Oxnard, CA 93030 . 805.604.9090 . f: 805.604.9050 . www.dabmar.com
4693 19th Street Ct E . Bradenton, FL 34203