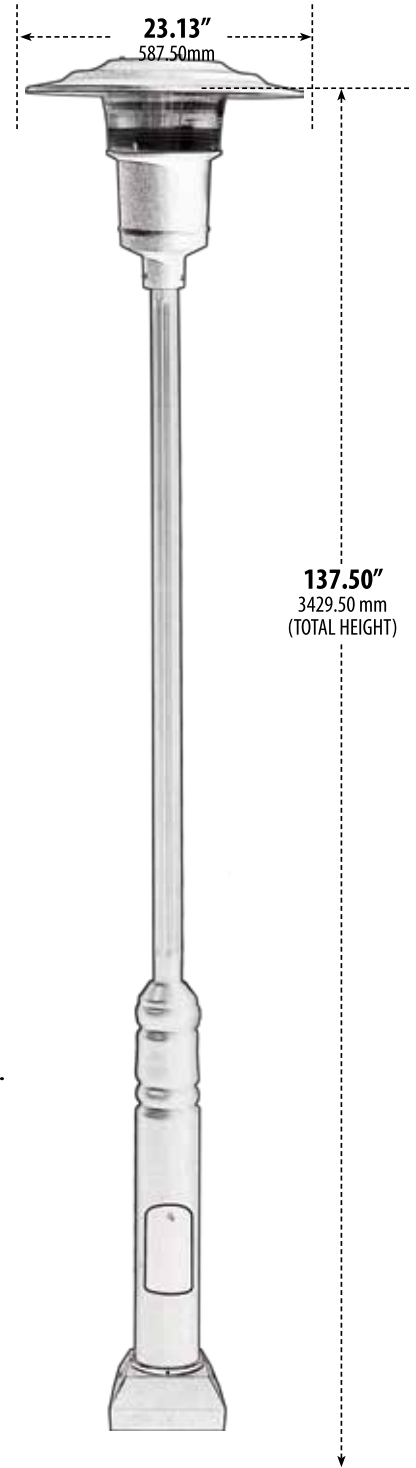
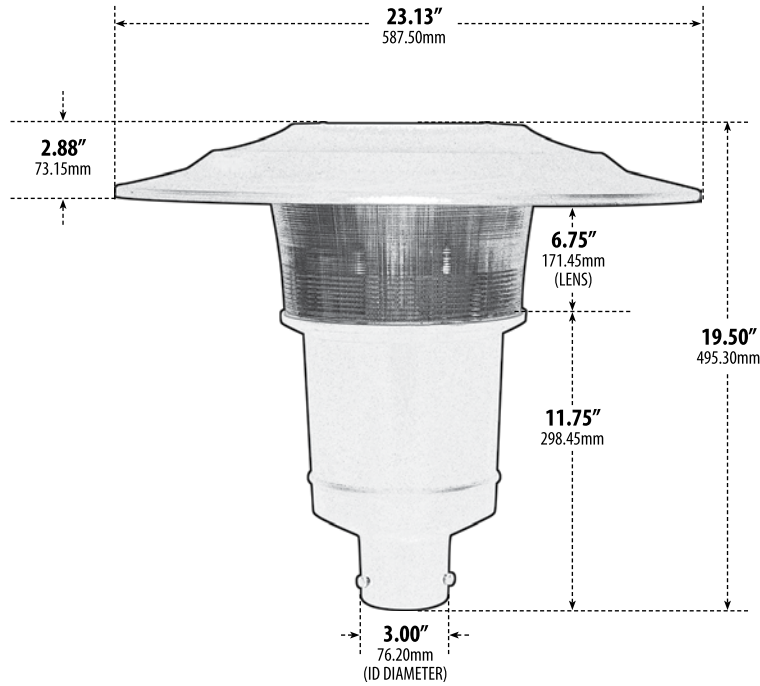


# GM6500

## POST FIXTURE



- ▶ **Material:** Powder Coated Cast Aluminum
- ▶ **Lens:** Clear, Prismatic, Heat Resistant, Polycarbonate Lens
- ▶ **Available Finish:** Black, Bronze, Verde Green
- ▶ **ETL Approved**

MODEL NUMBER	LAMP TYPE	ILLUMINANT TYPE	WATTS (W)	VOLTS (V)	LAMP(S) INCLUDED?
GM6500	HID	MH	70	120	YES
GM6500-LED20	G24-LED	140 LEDs	20	120-277	YES
GM6500-LED30	TUBULAR LED	168 LEDs	30	85-265	YES
GM6500-MT	HID	MH	70	MT	YES
GM6510	HID	HPS	150	120	YES
GM6510-MT	HID	HPS	150	MT	YES
GM6520	HID	HPS	100	120	YES
GM6520-MT	HID	HPS	100	MT	YES
GM6530-100	HID	MH	100	120	YES
GM6530-100-MT	HID	MH	100	MT	YES
GM6530	HID	HPS	70	120	YES
GM6530-MT	HID	HPS	70	MT	YES
GM6550	A-Type	Incandescent	100	120	NO

LED Available in Warm or Cool White

Overall Dimensions:  
137.50"H x 23.13"W x 23.13"D

Weight: 69.78 lbs

**DABMAR**  
LIGHTING

DABMAR LIGHTING INCORPORATED

320 Graves Ave . Oxnard, CA 93030 . 805.604.9090 . f: 805.604.9050 . www.dabmar.com

4693 19th Street Ct E . Bradenton, FL 34203