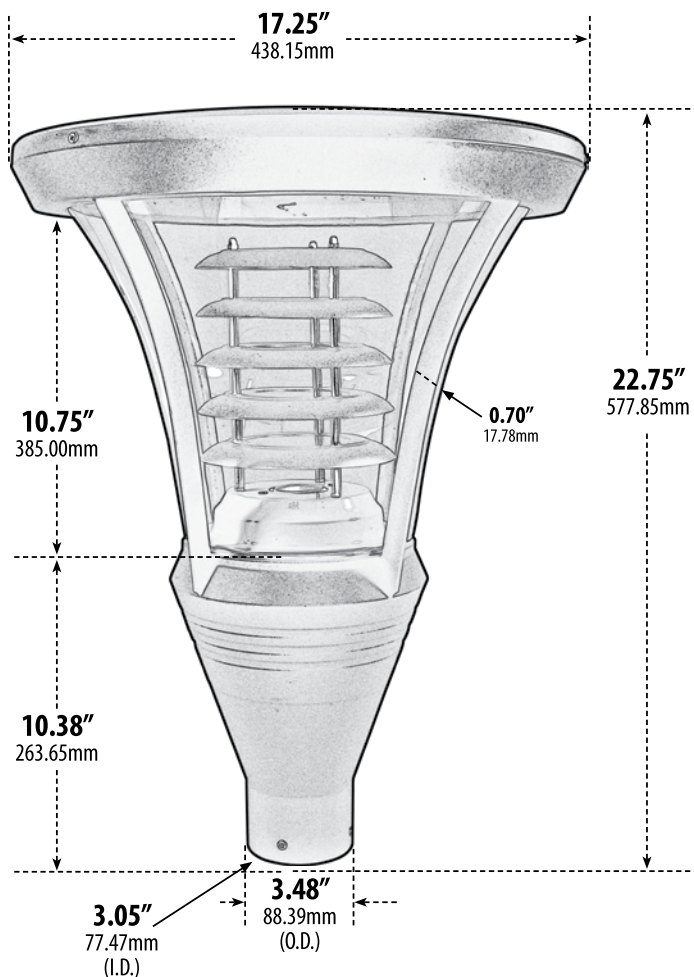


GM640

POST TOP FIXTURE



- ▶ **Material:** Powder Coated Cast Aluminum
- ▶ **Lens:** Clear, Heat Resistant, Polycarbonate
- ▶ **Available Finish:** Black, Verde Green
- ▶ **ETL Approval Pending**

Overall Dimensions:
22.75"H x 17.25"W x 17.25"D

Weight: 9.2 lbs
Approximate Wire Length: N/A
Box Dimensions:
25.00"H x 17.50"W x 17.50"D

MODEL NUMBER	LAMP TYPE	ILLUMINANT TYPE	WATTS (W)	VOLTS (V)	LAMP(S) INCLUDED?
GM640	A-Type	Incandescent	70	120	NO
GM640-LED20	G24-LED	140 LEDs	20	120-277	YES
GM640-LED30	Tubular LED	168 LEDs	30	85-265	YES
GM641	HID	HPS	35	120	YES
GM642	HID	HPS	50	120	YES
GM643	HID	HPS	70	120	YES
GM644	HID	MH	35	120	YES
GM645	HID	MH	50	120	YES
GM646	HID	MH	70	120	YES

20W LED Available in 30K or 50K
30W LED Available in 30K or 65K

DABMAR
LIGHTING

DABMAR LIGHTING INCORPORATED

320 Graves Ave . Oxnard, CA 93030 . 805.604.9090 . f: 805.604.9050 . www.dabmar.com
4693 19th Street Ct E . Bradenton, FL 34203