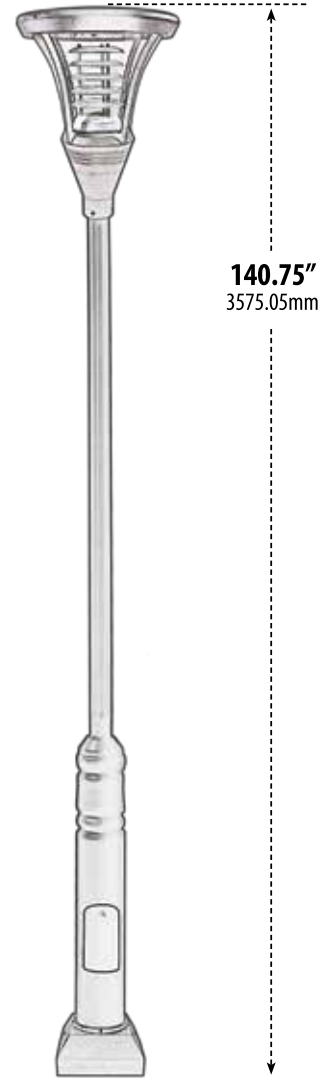
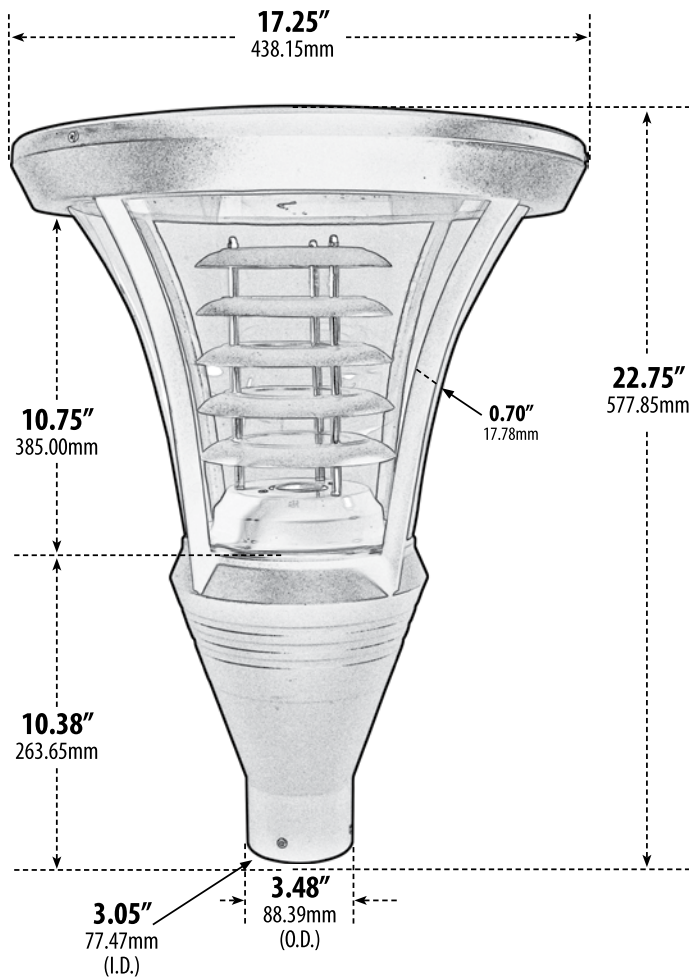


# GM6400

## POST FIXTURE



MODEL NUMBER	LAMP TYPE	ILLUMINANT TYPE	WATTS (W)	VOLTS (V)	LAMP(S) INCLUDED?
GM6400	A-Type	Incandescent	70	120	NO
GM6400-LED20	G24-LED	140 LEDs	20	120-277	YES
GM6400-LED30	TUBULAR LED	168 LEDs	30	85-265	YES
GM6410	HID	HPS	35	120	YES
GM6420	HID	HPS	50	120	YES
GM6430	HID	HPS	70	120	YES
GM6440	HID	MH	35	120	YES
GM6450	HID	MH	50	120	YES
GM6460	HID	MH	70	120	YES

LED Available in Warm or Cool White

Overall Dimensions:  
22.75"H x 17.25"W x 17.25"D

Weight: 67.2 lbs  
Approximate Wire Length: N/A  
Box Dimensions:  
25.00"H x 17.50"W x 17.50"D

- ▶ **Material:** Powder Coated Cast Aluminum
- ▶ **Lens:** Clear, Heat Resistant, Polycarbonate
- ▶ **Available Finish:** Black, Verde Green
- ▶ **ETL Approval Pending**

**DABMAR**  
LIGHTING

DABMAR LIGHTING INCORPORATED

320 Graves Ave . Oxnard, CA 93030 . 805.604.9090 . f: 805.604.9050 . www.dabmar.com

4693 19th Street Ct E . Bradenton, FL 34203