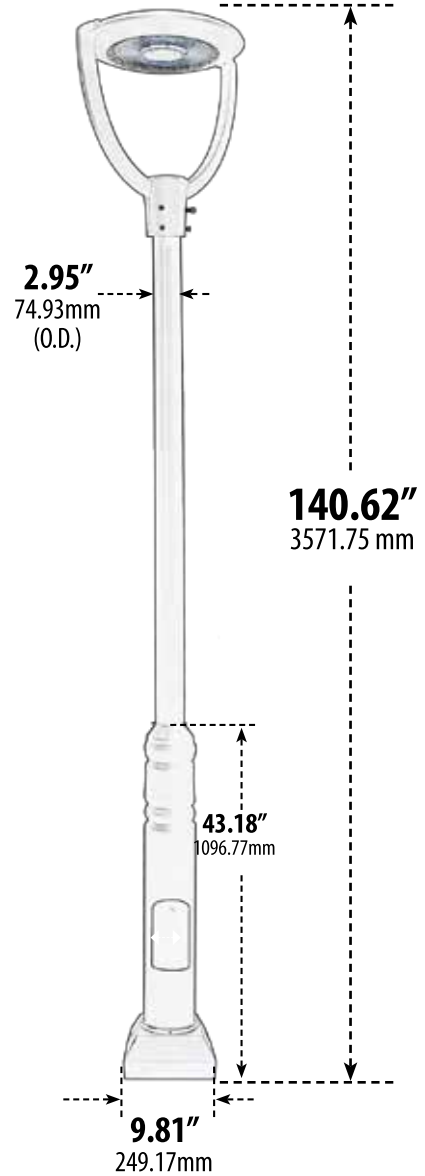
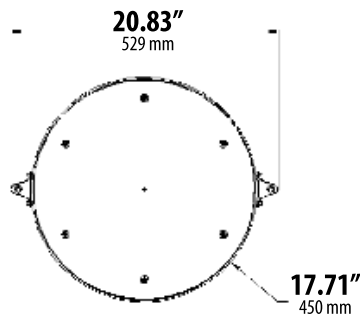
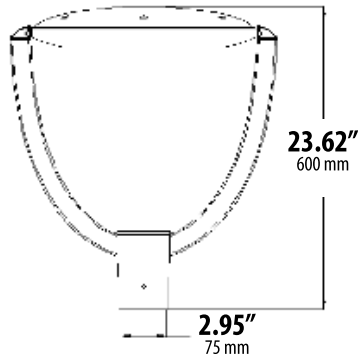


GM5710-LED150

POST TOP FIXTURE



Overall Dimensions:
140.62"H x 20.83"W x 20.83"D

Weight: 88 lbs
Approximate Wire Length: N/A
Box Dimensions: N/A

- ▶ **Material:** Powder Coated Cast Aluminum
- ▶ **Lens:** Clear, Heat Resistant, Polycarbonate Lens
- ▶ **Available Finish:** Black
- ▶ **Color Temperature:** 4000K
- ▶ **Lumens:** 19,500 Lm
- ▶ **ETL Approval Pending**

MODEL NUMBER	LAMP TYPE	ILLUMINANT TYPE	WATTS (W)	VOLTS (V)	LAMP(S) INCLUDED?
GM5710-LED150	LED	LED MODULE	150	100-277	YES

Photocell option available (sold separately)

DABMAR
LIGHTING

DABMAR LIGHTING INCORPORATED

320 Graves Ave . Oxnard, CA 93030 . 805.604.9090 . f: 805.604.9050 . www.dabmar.com
4693 19th Street Ct E . Bradenton, FL 34203