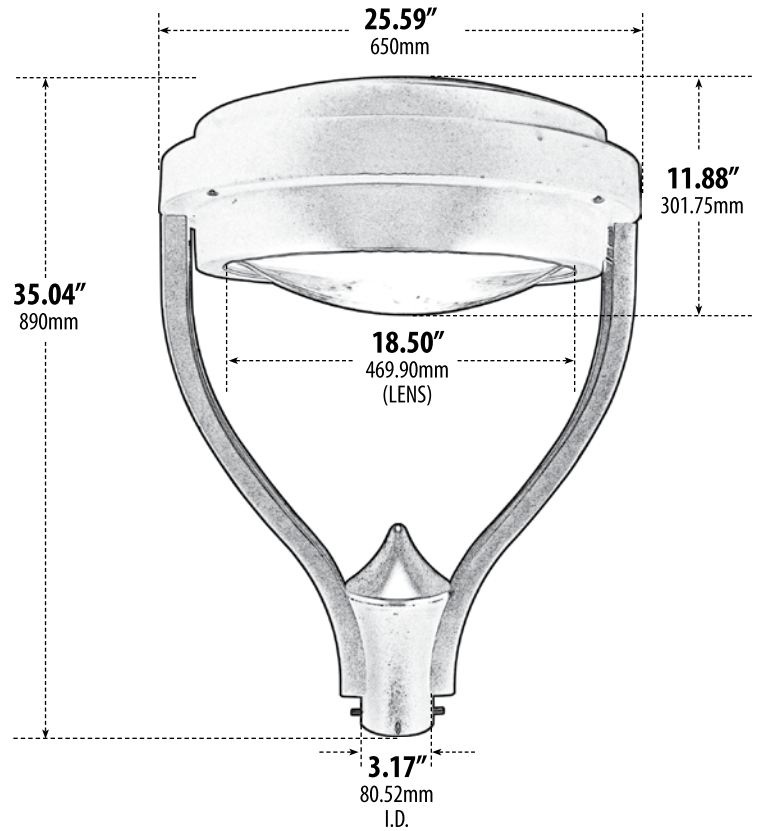


GM570-LED56

POST TOP FIXTURE



- ▶ **Material:** Powder Coated Cast Aluminum
- ▶ **Lens:** Clear, Heat Resistant, Convex Tempered Glass
- ▶ **Available Finish:** Black, Verde Green
- ▶ **Color Temperature:** 5000
- ▶ **Lumens:** 5400
- ▶ **Life Expectancy:** 50,000 Hrs
- ▶ **ETL Approval Pending**

MODEL NUMBER	LAMP TYPE	ILLUMINANT TYPE	WATTS (W)	VOLTS (V)	LAMP(S) INCLUDED?
GM570-LED56	LED	LED BOARD	2 x 30	120-277	YES

Overall Dimensions:
35.04"H x 25.59"W x 25.59"D

Weight: 31.30 lbs
Approximate Wire Length: N/A
Box Dimensions: N/A



DABMAR LIGHTING INCORPORATED

320 Graves Ave . Oxnard, CA 93030 . 805.604.9090 . f: 805.604.9050 . www.dabmar.com
4693 19th Street Ct E . Bradenton, FL 34203