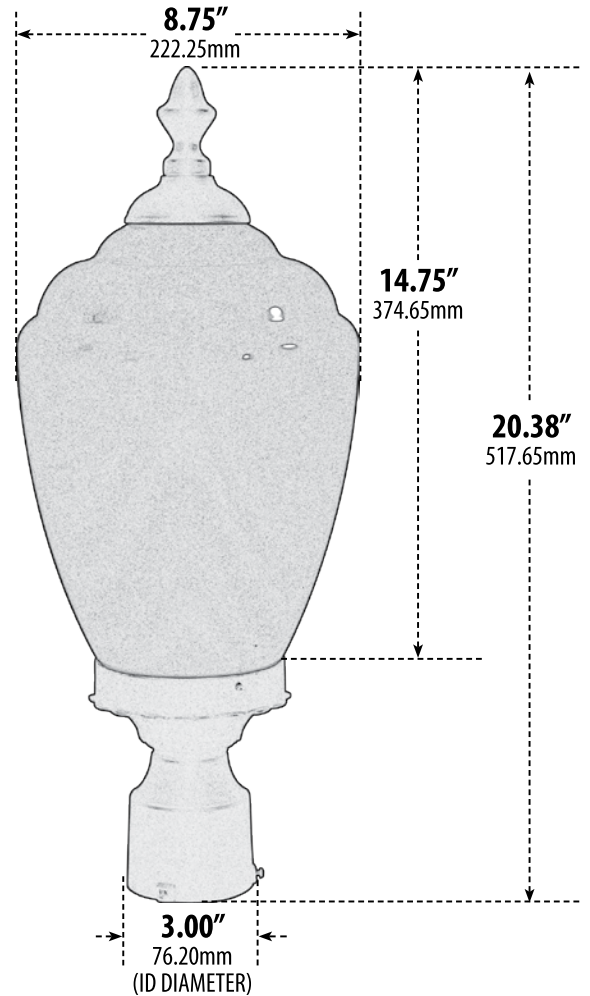


GM285

POST TOP FIXTURE



Overall Dimensions:
20.38"H x 8.75"W x 8.75"D

Weight: 1.6 lbs
Approximate Wire Length: 6"
Box Dimensions:
18.50"H x 10.00"W x 10.00"D

- ▶ **Material:** Powder Coated Cast Aluminum
- ▶ **Lens:** Acrylic
- ▶ **Available Finish:** Black, White, Verde Green
- ▶ **ETL Approved**

MODEL NUMBER	LAMP TYPE	ILLUMINANT TYPE	WATTS (W)	VOLTS (V)	LAMP(S) INCLUDED?
GM285**	A-Type	Incandescent	60	120	NO
GM285-LED6	A19-LED	FILAMENT LED	6	120	YES
GM285-LED9	GU24-LED	A19-LED	9	120	YES

**AVAILABLE IN 18 W LED Add -LED18 to Model Number

LED Available in Warm or Cool White



DABMAR
LIGHTING

DABMAR LIGHTING INCORPORATED

320 Graves Ave . Oxnard, CA 93030 . 805.604.9090 . f: 805.604.9050 . www.dabmar.com
4693 19th Street Ct E . Bradenton, FL 34203