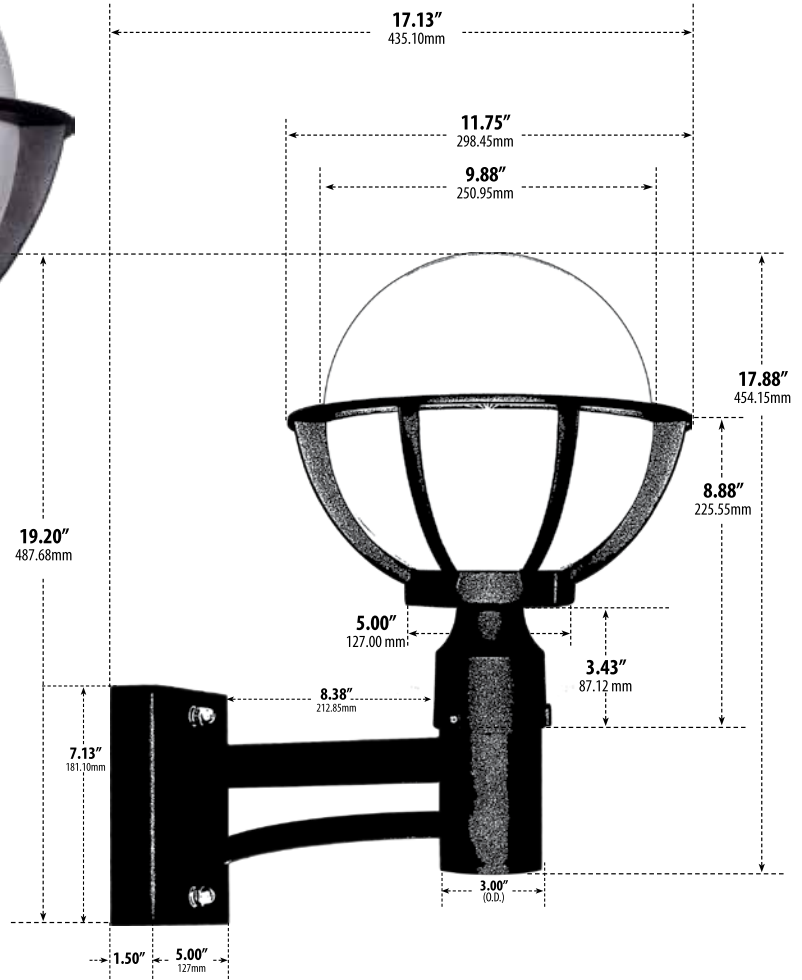


GM265

WALL FIXTURE



- ▶ **Material:** Powder Coated Cast Aluminum
- ▶ **Globe:** White, Heat Resistant, Polycarbonate
- ▶ **Available Finish:** Black, Verde Green
- ▶ **ETL Approval Pending**

MODEL NUMBER	LAMP TYPE	ILLUMINANT TYPE	WATTS (W)	VOLTS (V)	LAMP(S) INCLUDED?
GM265**	A-Type	Incandescent	60	120	NO
GM265-LED6	A19-LED	FILAMENT LED	6	120	YES
GM265-LED9	GU24-LED	A19-LED	9	120	YES

**AVAILABLE IN 16W LED Add -LED16 to Model Number

LED Available in Warm or Cool White

Overall Dimensions:
19.20"H x 11.75"W x 17.13"D

Weight: 8.0 lbs
Approximate Wire Length: N/A
Box Dimensions:
0.00"H x 0.00"W x 0.00"D



DABMAR
LIGHTING

DABMAR LIGHTING INCORPORATED

320 Graves Ave . Oxnard, CA 93030 . 805.604.9090 . f: 805.604.9050 . www.dabmar.com
4693 19th Street Ct E . Bradenton, FL 34203