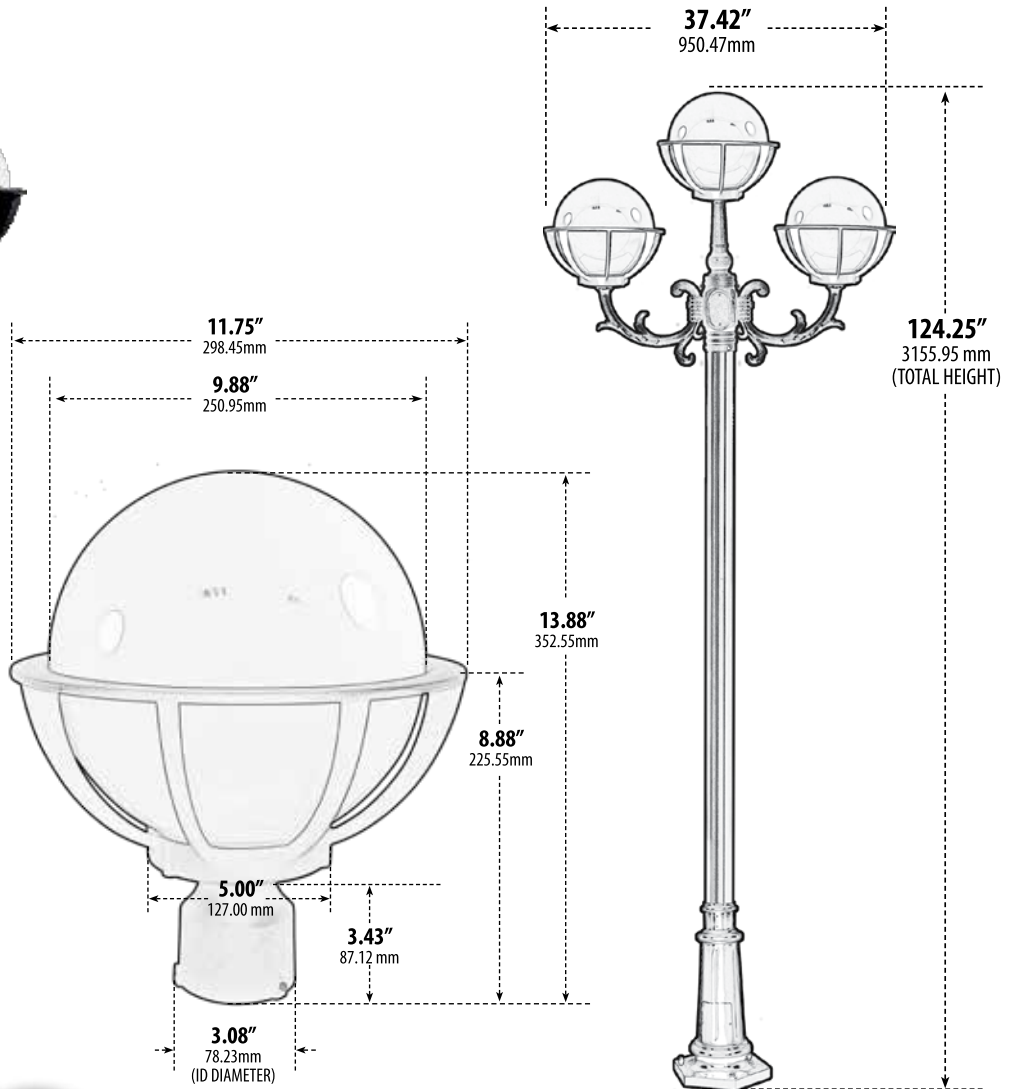


# GM2630

## POST FIXTURE



- ▶ **Material:** Powder Coated Cast Aluminum
- ▶ **Globe:** White, Heat Resistant, Polycarbonate
- ▶ **Available Finish:** Black, Verde Green
- ▶ **ETL Approval Pending**

Overall Dimensions:  
124.25"H x 37.42"W x 12.25"D

Weight: 39.90 lbs

MODEL NUMBER	LAMP TYPE	ILLUMINANT TYPE	WATTS (W)	VOLTS (V)	LAMP(S) INCLUDED?
GM2630**	A-Type	Incandescent	3 x 60	120	NO
GM2630-LED6	A19-LED	FILAMENT LED	3 x 6	120	YES
GM2630-LED9	GU24-LED	A19-LED	3 x 9	120	YES

\*\*AVAILABLE IN 16W LED Add -LED16 to Model Number

LED Available in Warm or Cool White

**DABMAR**  
LIGHTING

DABMAR LIGHTING INCORPORATED

320 Graves Ave . Oxnard, CA 93030 . 805.604.9090 . f: 805.604.9050 . www.dabmar.com

4693 19th Street Ct E . Bradenton, FL 34203