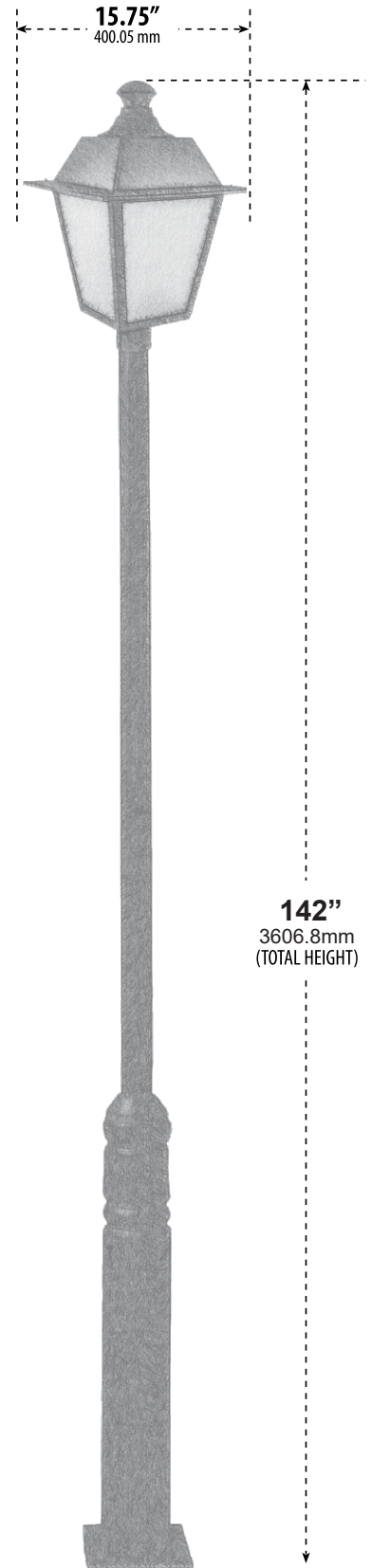
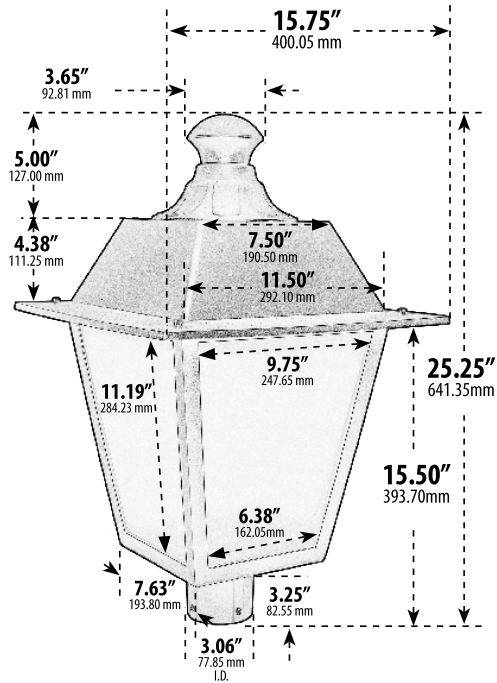


# GM2240

## POST TOP FIXTURE



- ▶ **Material:** Powder Coated Cast Aluminum
- ▶ **Lens:** Frosted, Heat Resistant, Tempered Glass
- ▶ **Available Finish:** Black, Bronze, Verde Green
- ▶ **ETL Approved**

MODEL NUMBER	LAMP TYPE	ILLUMINANT TYPE	WATTS (W)	VOLTS (V)	LAMP(S) INCLUDED?
GM2240	A-Type	Incandescent	60	120	NO
GM2240-LED18	Tubular E26	LED	18	85-265	YES

\*\*AVAILABLE IN 30W LED Add -LED30 to Model Number

LED Available in Warm or Cool White

Overall Dimensions:  
112.25 "H x 15.75 "W x 15.75"D

Weight: 30.61 lbs

**DABMAR**  
LIGHTING

DABMAR LIGHTING INCORPORATED

320 Graves Ave . Oxnard, CA 93030 . 805.604.9090 . f: 805.604.9050 . www.dabmar.com  
4693 19th Street Ct E . Bradenton, FL 34203