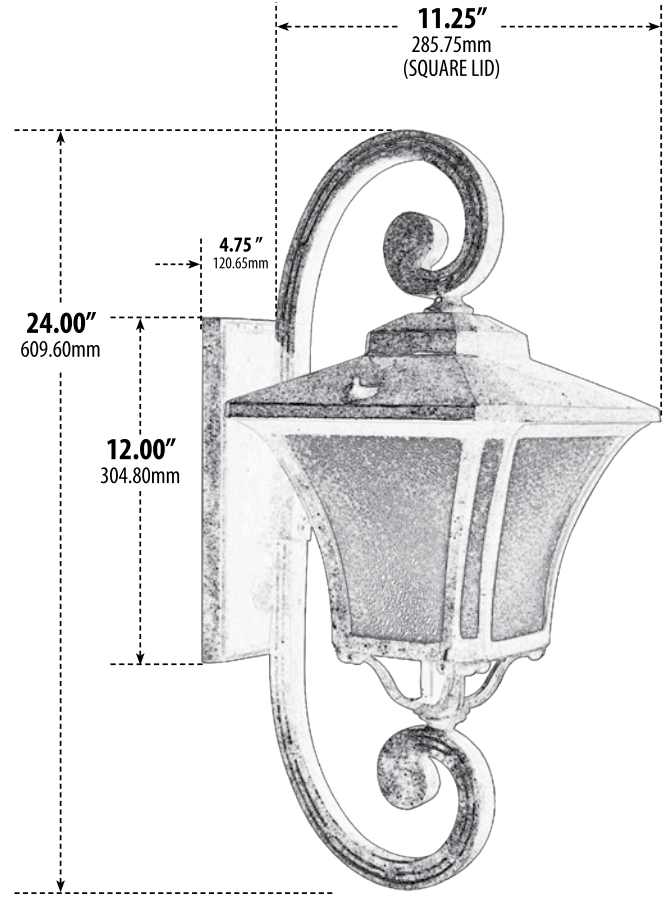


# GM211

## DECORATIVE WALL FIXTURE



- ▶ **Material:** Powder Coated Cast Aluminum
- ▶ **Lens:** Cracked, Clear, Heat Resistant, Textured Glass Lens
- ▶ **Available Finish:** Black, Bronze, Dark Bronze Stone, Verde Green
- ▶ **ETL Approved**

Overall Dimensions:  
24.00"H x 11.25"W x 16.00"D

Weight: 12.56 lbs  
Approximate Wire Length: 00"  
Box Dimensions: 27.50"H x 15.63"W x 12.50"D

MODEL NUMBER	LAMP TYPE	ILLUMINANT TYPE	WATTS (W)	VOLTS (V)	LAMP(S) INCLUDED?
GM211	A-Type	Incandescent	60	120	NO
GM211-LED6	A19-LED	FILAMENT LED	6	120	YES
GM211-LED9	GU24-LED	A19-LED	9	120	YES
GM211-LED18	TUBULAR LED	96 LEDs	18	85-265	YES

LED Available in Warm or Cool White



**DABMAR**  
LIGHTING

DABMAR LIGHTING INCORPORATED

320 Graves Ave . Oxnard, CA 93030 . 805.604.9090 . f: 805.604.9050 . www.dabmar.com  
4693 19th Street Ct E . Bradenton, FL 34203