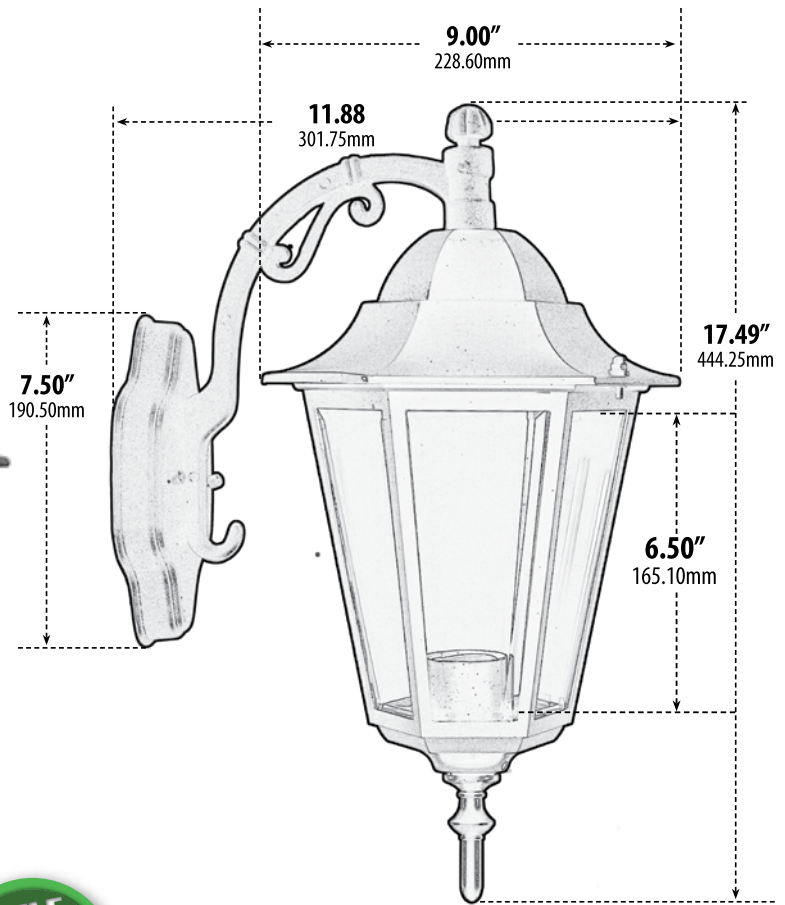


# GM136S

## WALL FIXTURE



- ▶ **Material:** Powder Coated Cast Aluminum
- ▶ **Lens:** Clear or Frosted, Heat Resistant, Tempered Glass
- ▶ **Available Finish:** Black, Bronze, White, Verde Green
- ▶ **ETL Approved**

MODEL NUMBER	LAMP TYPE	ILLUMINANT TYPE	WATTS (W)	VOLTS (V)	LAMP(S) INCLUDED?
GM136S**	A-Type	Incandescent	60	120	NO
GM136S-LED6	A19-LED	FILAMENT LED	6	120	YES
GM136S-LED9	GU24-LED	A19-LED	9	120	YES

\*\*AVAILABLE IN 16W LED Add -LED16 to Model Number

Also Available in Frosted Lens

LED Available in Warm or Cool White

Overall Dimensions:  
17.49"H x 9.00"W x 9.00"D

Weight: 2.14 lbs  
Approx Wire Length: N/A"  
Box Dimensions:  
00"H x 00"W x 00"D

**DABMAR**  
LIGHTING

DABMAR LIGHTING INCORPORATED

320 Graves Ave . Oxnard, CA 93030 . 805.604.9090 . f: 805.604.9050 . www.dabmar.com  
4693 19th Street Ct E . Bradenton, FL 34203