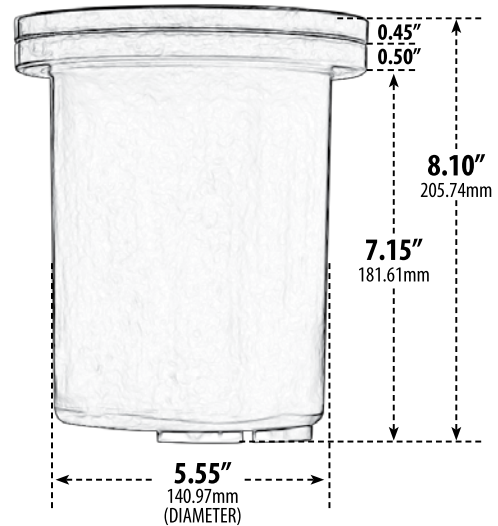
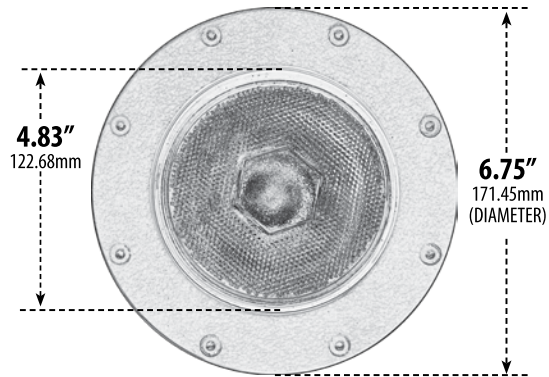


# FG4450

## IN-GROUND WELL LIGHT



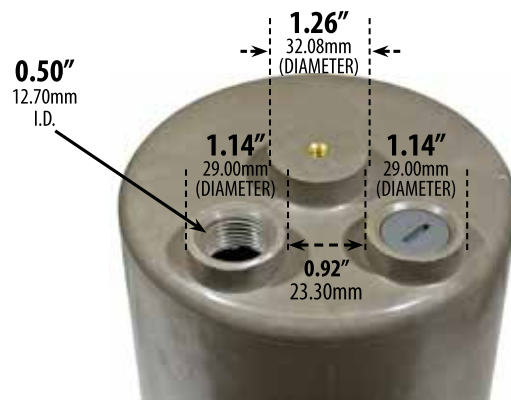
### \* Corrosion Resistant-Ocean Front Placement

- ▶ **Material:** Fiberglass or Brass (WBS)
- ▶ **Lens:** Clear, Heat Resistant, Tempered Glass

MODEL NUMBER	LAMP TYPE	ILLUMINANT TYPE	WATTS (W)	VOLTS (V)	LAMP(S) INCLUDED?
FG4450	PAR38	INCANDESCENT	150	120	NO
FG4450-LED18-F	PAR38-LED	LED FLOOD	18	120-277	YES
FG4450-LED18-S	PAR38-LED	LED SPOT	18	120-277	YES
FG4450-LED12-RGBW	A23-LED	LED	12	85-265	YES

- ▶ **Installation Type:** Rated for In-Ground Soil and Concrete Applications
- ▶ **Available Finish:** Bronze, *Weathered Brass (brass cover)*
- ▶ **RGBW Lamp Requires/Remote:** P-RMT-DL-MR16-LED-4W-MC (sold separately)
- ▶ **ETL Approved**

LED Available in Warm or Cool White



Overall Dimensions:  
8.10"H x 6.75"W x 6.75"D

Weight: 3lbs 3oz  
Weight w/Box: 3lbs 8.5oz  
Box Dimensions:  
9.19"H x 6.63"W x 6.75"D  
Lamp Not Included (FG4450)

**DABMAR**  
LIGHTING

DABMAR LIGHTING INCORPORATED

320 Graves Ave . Oxnard, CA 93030 . 805.604.9090 . f: 805.604.9050 . www.dabmar.com  
4693 19th Street Ct E . Bradenton, FL 34203