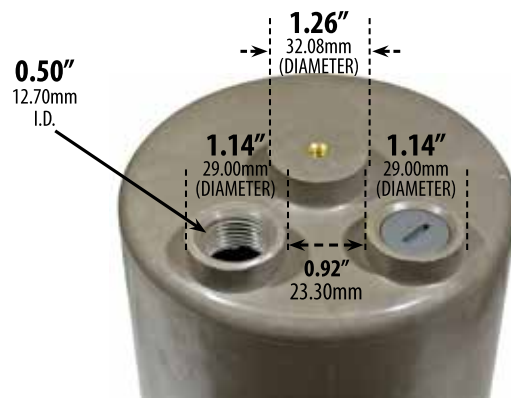
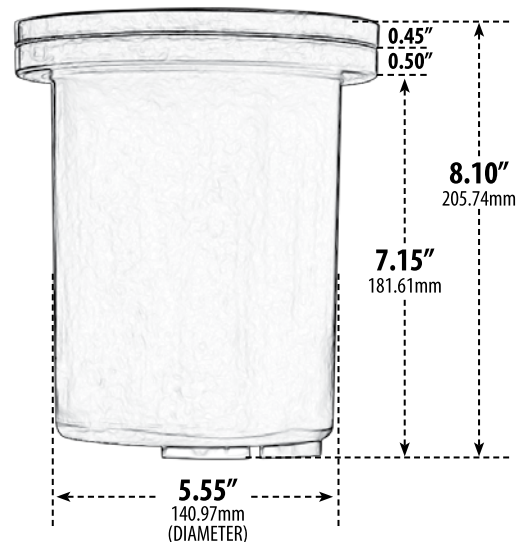
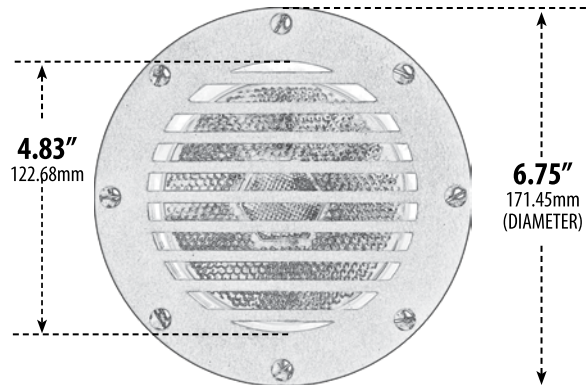


FG4400

IN-GROUND WELL LIGHT w/GRILL



* Corrosion Resistant-Ocean Front Placement

- ▶ **Material:** Fiberglass or Brass (WBS)
- ▶ **Lens:** Clear, Heat Resistant, Tempered Glass

| MODEL NUMBER | LAMP TYPE | ILLUMINANT TYPE | WATTS (W) | VOLTS (V) | LAMP(S) INCLUDED? |
|-------------------|-----------|-----------------|-----------|-----------|-------------------|
| FG4400 | PAR38 | INCANDESCENT | 150 | 120 | NO |
| FG4400-LED18-F | PAR38-LED | LED FLOOD | 18 | 120-277 | YES |
| FG4400-LED18-S | PAR38-LED | LED SPOT | 18 | 120-277 | YES |
| FG4400-LED12-RGBW | A23-LED | LED | 12 | 85-265 | YES |

- ▶ **Installation Type:** Rated for In-Ground Soil and Concrete Applications
- ▶ **Available Finish:** Bronze, *Weathered Brass (brass cover)*
- ▶ **RGBW Lamp Requires/Remote:** P-RMT-DL-MR16-LED-4W-MC (sold separately)
- ▶ **ETL Approved**

LED Available in Warm or Cool White

Overall Dimensions:
8.10"H x 6.75"W x 6.75"D

Weight: 2 lbs
Box Dimensions:
9.19"H x 6.63"W x 6.75"D

DABMAR
LIGHTING

DABMAR LIGHTING INCORPORATED

320 Graves Ave . Oxnard, CA 93030 . 805.604.9090 . f: 805.604.9050 . www.dabmar.com
4693 19th Street Ct E . Bradenton, FL 34203