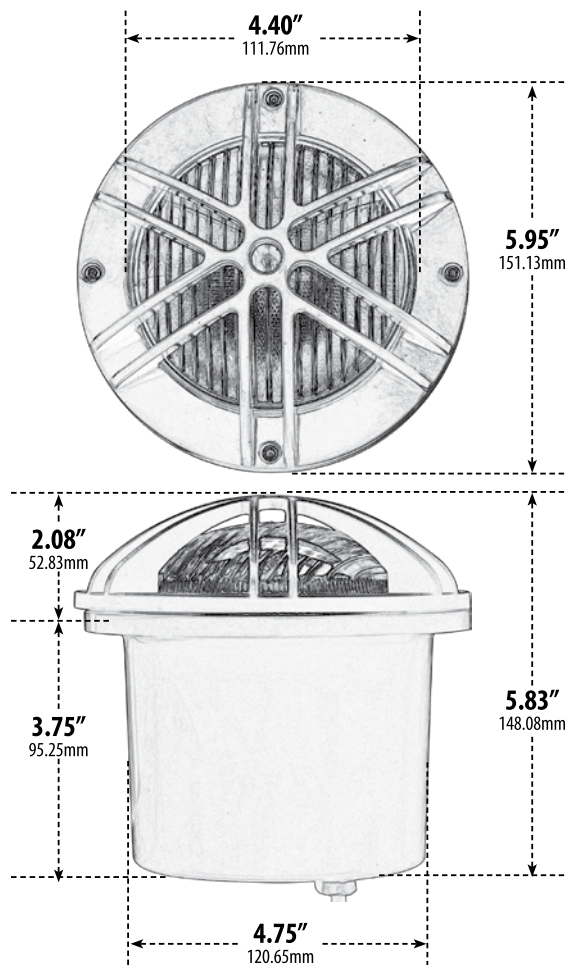


# FG327

## ADJUSTABLE IN-GROUND WELL LIGHT w/STAR GRILL



- ▶ **Material:** Fiberglass
- ▶ **Lens:** Clear, Heat Resistant Lexan
- ▶ **Lamp:** PAR36 (50W Maximum) Available in 30K or 64K

MODEL NUMBER	LAMP TYPE	ILLUMINANT TYPE	WATTS (W)	VOLTS (V)	LAMP(S) INCLUDED?
FG327	PAR36	HALOGEN	35	12	YES
FG327-LED4	PAR36-LED	SMD LEDs	4	12	YES
FG327-LED6	PAR36-LED	SMD LEDs	6	12	YES
FG327-LED9	PAR36-LED	SMD LEDs	9	12	YES
FG327-LED9-RGBW	PAR36-LED	SMD LEDs	9	12	YES

Pre-wired with UL Listed Direct Burial Wire/Cable

- ▶ **Installation Type:** Rated for In-Ground Soil and Concrete Applications
- ▶ **Available Finish:** Black, Bronze
- ▶ **RGBW Lamp Requires/Remote:** P-RMT-MR16-LED-4W-MC (sold separately)
- ▶ **ETL Approved**

Overall Dimensions: 5.83"H x 5.95"W x 5.95"D

Weight: 1.4 lbs

Approximate Wire Length: 17.00 B"

Box Dimensions: 6.63"H x 6.25"W x 6.25"D

\* **Corrosion Resistant-Ocean Front Placement**

**DABMAR**  
LIGHTING

DABMAR LIGHTING INCORPORATED

320 Graves Ave . Oxnard, CA 93030 . 805.604.9090 . f: 805.604.9050 . www.dabmar.com  
4693 19th Street Ct E . Bradenton, FL 34203