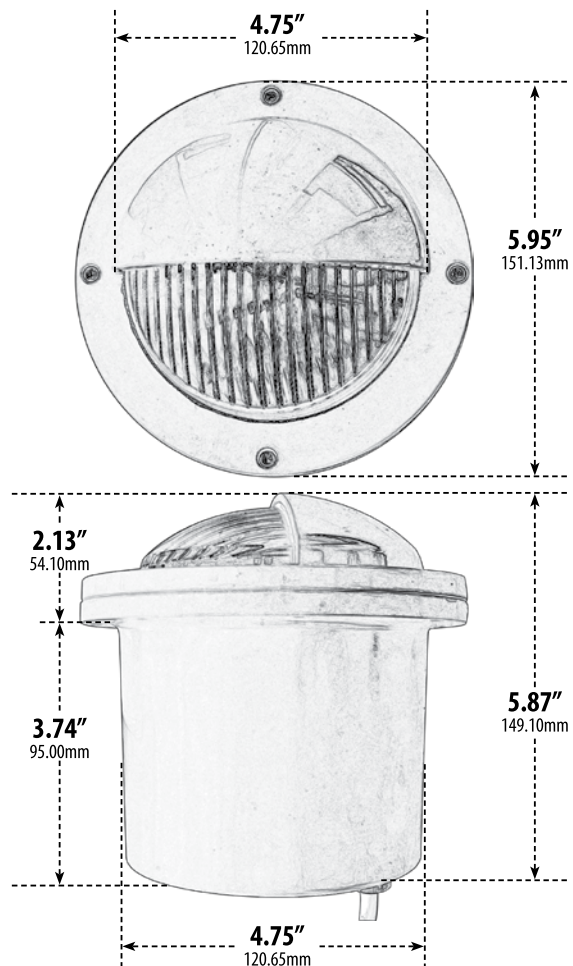


FG326

ADJUSTABLE IN-GROUND WELL LIGHT w/EYELID



- ▶ **Material:** Fiberglass
- ▶ **Lens:** Clear, Heat Resistant Lexan
- ▶ **Lamp:** PAR36 (50W Maximum) Available in 30K or 64K

| MODEL NUMBER | LAMP TYPE | ILLUMINANT TYPE | WATTS (W) | VOLTS (V) | LAMP(S) INCLUDED? |
|-----------------|-----------|-----------------|-----------|-----------|-------------------|
| FG326 | PAR36 | HALOGEN | 35 | 12 | YES |
| FG326-LED4 | PAR36-LED | SMD LED | 4 | 12 | YES |
| FG326-LED6 | PAR36-LED | SMD LED | 6 | 12 | YES |
| FG326-LED9 | PAR36-LED | SMD LED | 9 | 12 | YES |
| FG326-LED9-RGBW | PAR36-LED | SMD LED | 9 | 12 | YES |

Pre-wired with UL Listed Direct Burial Wire/Cable

- ▶ **Installation Type:** Rated for In-Ground Soil and Concrete Applications
- ▶ **Available Finish:** Black, Bronze
- ▶ **RGBW Lamp Requires/Remote:** P-RMT-MR16-LED-4W-MC (sold separately)
- ▶ **ETL Approved**

Overall Dimensions: 5.87"H x 5.95"W x 5.95"D

Weight: 1.4 lbs

Approximate Wire Length: 17.00"

Box Dimensions: 6.63"H x 6.25"W x 6.25"D

*** Corrosion Resistant-Ocean Front Placement**

DABMAR
LIGHTING

DABMAR LIGHTING INCORPORATED

320 Graves Ave . Oxnard, CA 93030 . 805.604.9090 . f: 805.604.9050 . www.dabmar.com
4693 19th Street Ct E . Bradenton, FL 34203