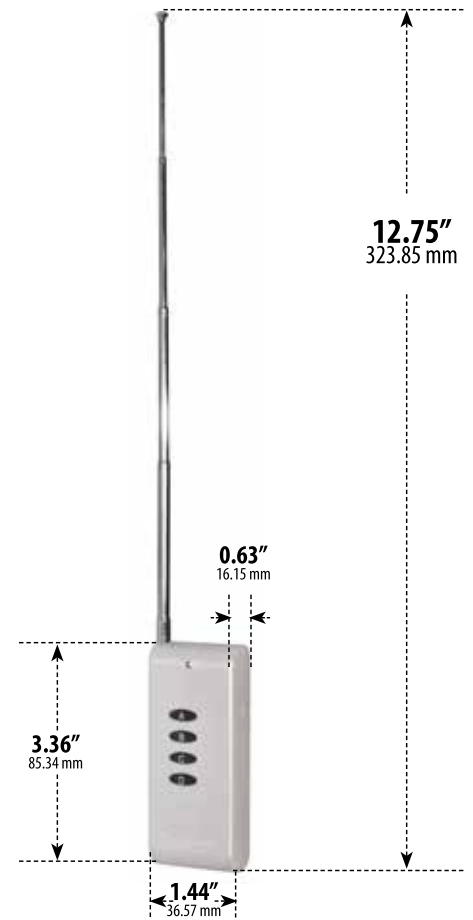
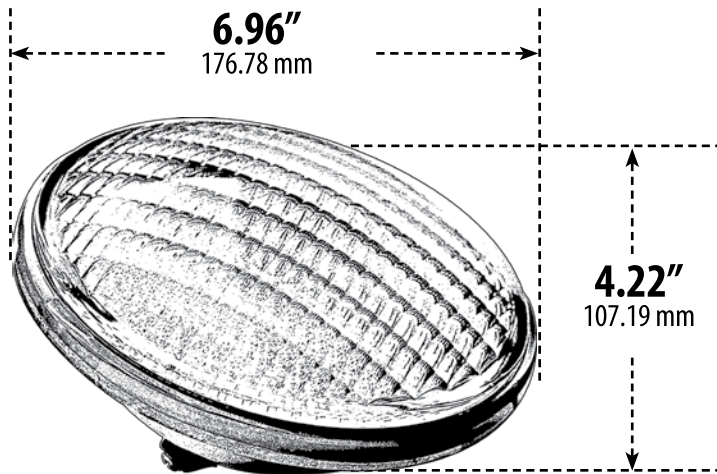
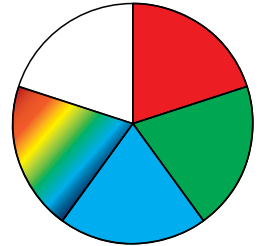


DL-PAR56-LED/252

LED LAMP



- ▶ **Base:** Screw Terminals Base
- ▶ **Lamp:** 16W PAR56 252 LEDs 64K 12V
- ▶ **Lamp Color:** White, Red, Green, Blue, Yellow, Multi-Color
- ▶ **Lumens:** Blue - 300, Green - 850, MC - 820, Red - 650, Yellow - 650, 64K - 1000, MCC - 820
- ▶ **Lamp Life:** 50,000 Hrs
- ▶ **Controller Available for Multi-Color Lamp:** DL-PAR56-LED/252/MCC

Weight: 2 lbs

A: Change colors
B: Colors change every 3 sec
C: Colors change every 5 sec
D: Off

DABMAR
LIGHTING

DABMAR LIGHTING INCORPORATED

320 Graves Ave . Oxnard, CA 93030 . 805.604.9090 . f: 805.604.9050 . www.dabmar.com
4693 19th Street Ct E . Bradenton, FL 34203