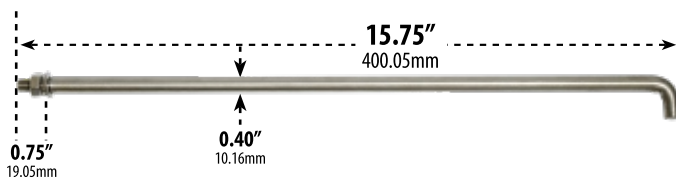
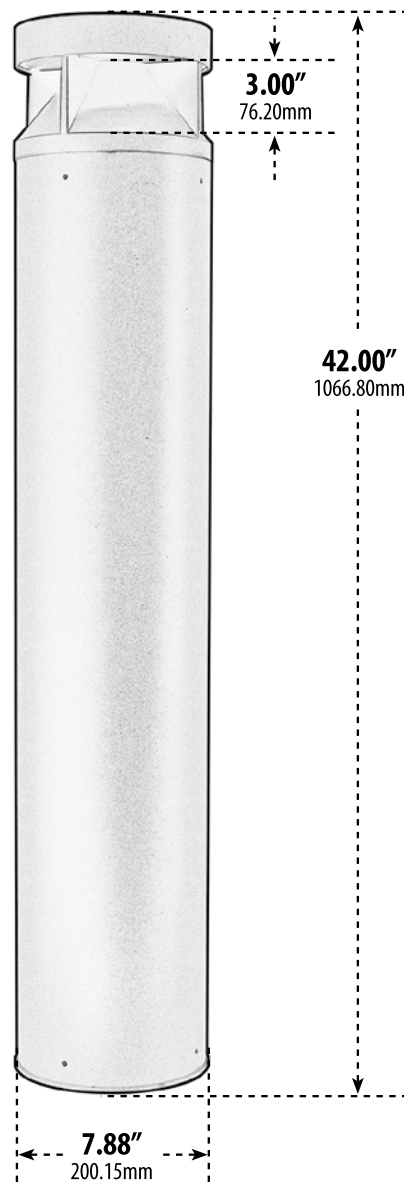


# D870-LED35

## PATH, WALKWAY, DRIVEWAY and ENTRANCE AREA BOLLARD



Overall Dimensions:  
7.88"W x 42.00"H x 7.88"D

Maximum Height: 42.00"  
Width: 7.88"  
Maximum Depth: 7.88"

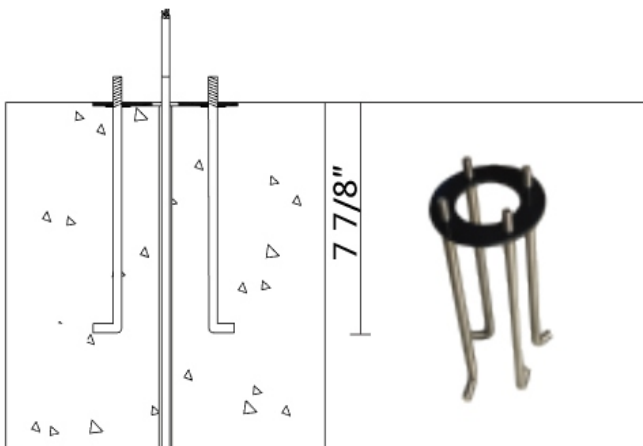
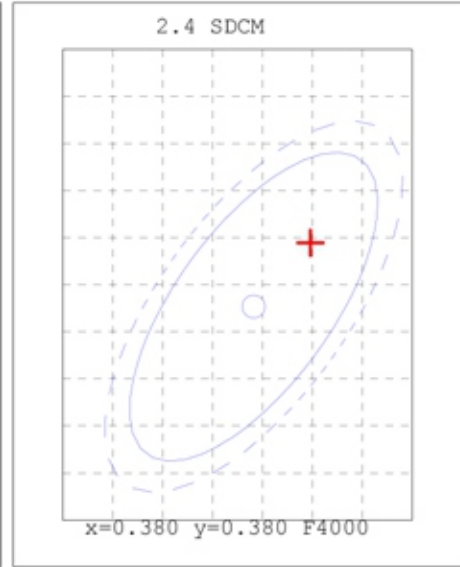
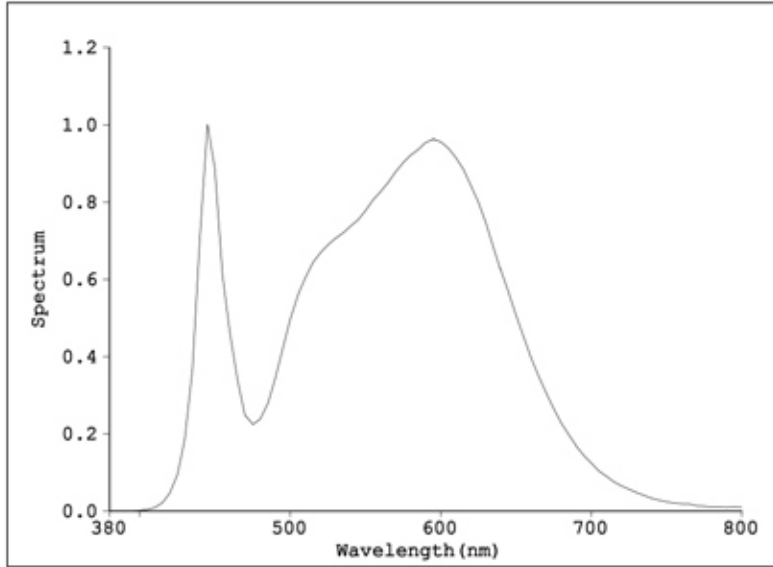
Weight: 20lbs 14oz (FIXTURE)  
Box Dimensions: 0.00"L x 0.00"W x 0.00"H

- ▶ **Material:** Powder Coated Cast Aluminum
- ▶ **Lens:** Prismatic, Heat Resistant, Glass Diffuser
- ▶ **Available Finish:** Black, Verde Green
- ▶ **Color Temperature:** 4000K

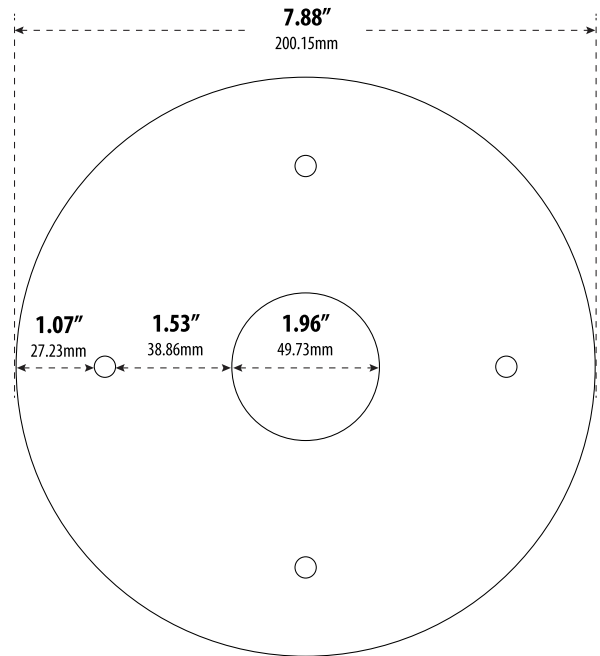
**ETL Approval Pending**

MODEL NUMBER	LAMP TYPE	ILLUMINANT TYPE	WATTS (W)	VOLTS (V)	LAMP(S) INCLUDED?
D870-LED35	LED BOARD	LED	35	120-277	YES

# PHOTOMETRICS



Four anchor bolts included (standard)



**BASE PATTERN**



**DABMAR LIGHTING INCORPORATED**

320 Graves Ave . Oxnard, CA 93030 . 805.604.9090 . f: 805.604.9050 . www.dabmar.com  
4693 19th Street Ct E . Bradenton, FL 34203