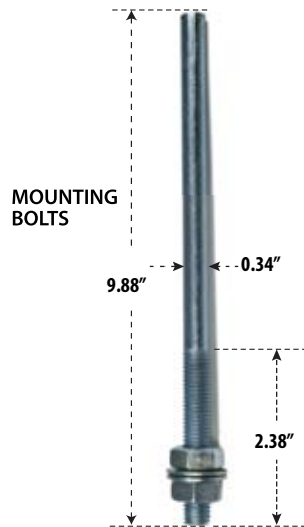
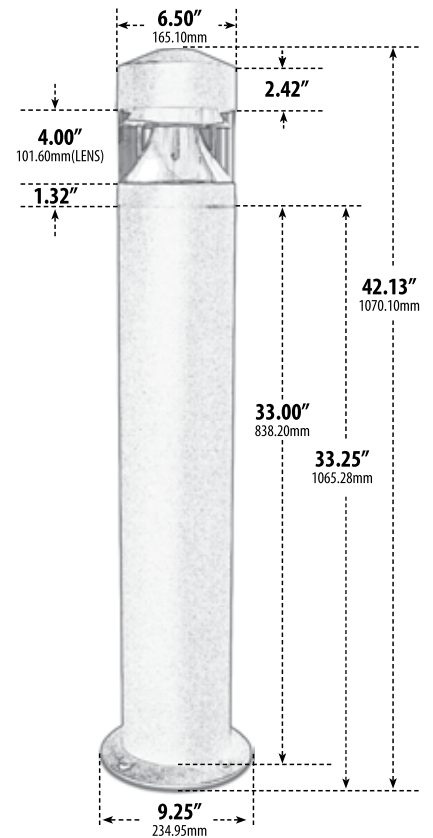
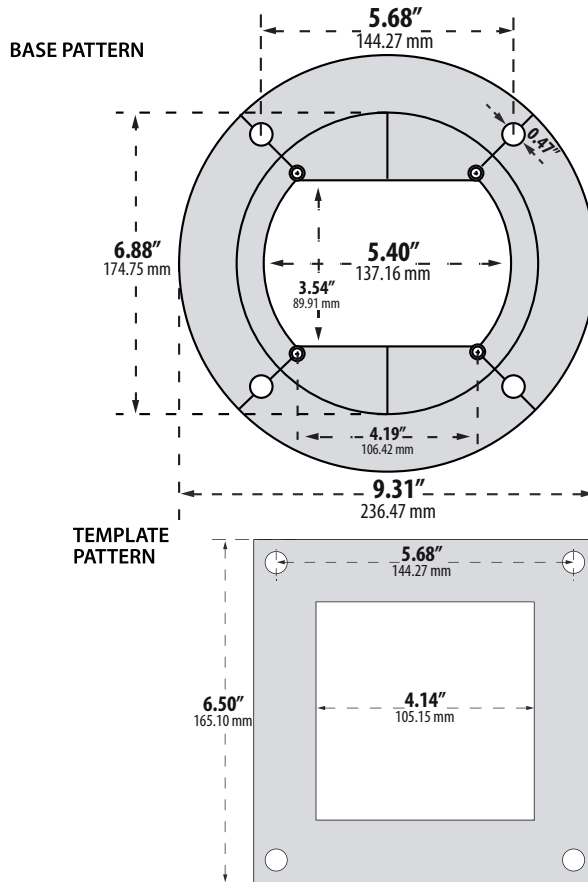


D850

PATH, WALKWAY, DRIVEWAY and ENTRANCE AREA BOLLARD



- ▶ **Material:** Powder Coated Cast Aluminum
- ▶ **Lens:** Clear, Heat Resistant, Acrylic Lens
- ▶ **Available Finish:** Black, Bronze, Verde Green
- ▶ **ETL Approved**

Overall Dimensions:
9.25"W x 41.88"H x 9.25"D

Maximum Height: 41.88"
Width: 9.25"
Maximum Depth: 9.25"

Weight: 11.50 lbs
Box Dimensions: 6.81"W x 42.50"H x 7.00"D

MODEL NUMBER	LAMP TYPE	ILLUMINANT TYPE	WATTS (W)	VOLTS (V)	LAMP(S) INCLUDED?
D850	A-Type	Incandescent	60	120	NO
D850-LED112	Tubular G24 2P	112 LEDs	20	120-277	YES
D853	HID	HPS	35	120	YES
D854	HID	HPS	50	120	YES
D854-MT	HID	HPS	50	MT	YES
D855	HID	HPS	70	120	YES
D855-MT	HID	HPS	70	MT	YES
D856-35	HID	MH	35	120	YES
D856	HID	MH	50	120	YES
D856-MT	HID	MH	50	MT	YES
D857	HID	MH	70	120	YES
D857-MT	HID	MH	70	MT	YES
D858	S13-GU24	Fluorescent	13	120	YES
D859	S26-GU24	Fluorescent	26	120	YES

DABMAR
LIGHTING

DABMAR LIGHTING INCORPORATED

2140 Eastman Ave . Oxnard, CA 93030 . 805.604.9090 . f: 805.604.9050 . www.dabmar.com