

# D830-LED20-AMB

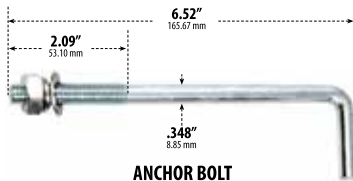
PATH, WALKWAY, DRIVEWAY and ENTRANCE AREA BOLLARD



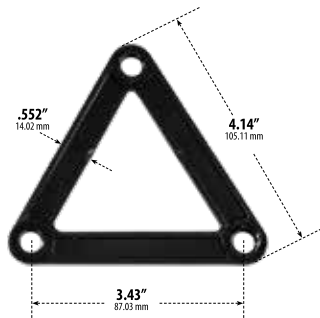
**D830-LED20-AMB Head  
for Amber Lens**



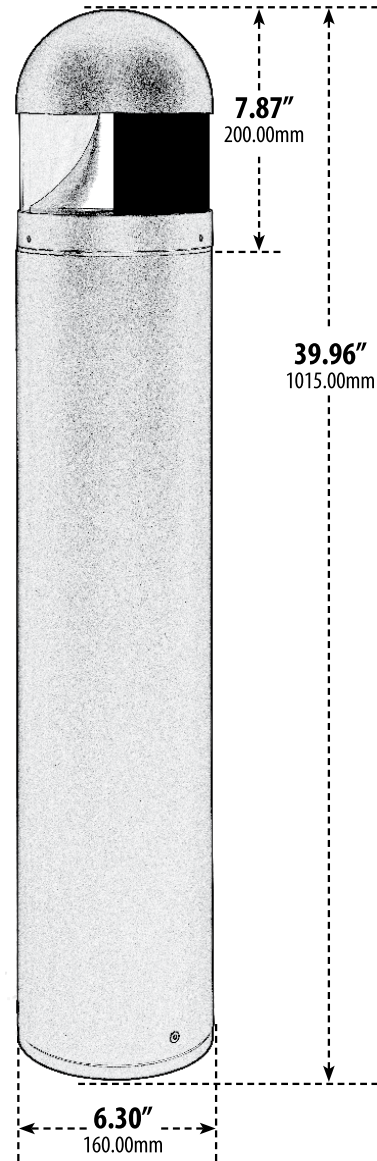
**D830-LED20-AMB Half Black Lens  
(180 Degree)**



**ANCHOR BOLT**



**TEMPLATE**



Overall Dimensions:  
6.30"W x 39.96"H x 6.30"D

Maximum Height: 39.96"  
Width: 6.30"  
Maximum Depth: 6.30"

Weight: 10 lbs 8oz (FIXTURE), 12lbs 6oz (wBOX)  
Box Dimensions: 40.00"L x 6.75"W x 6.75"H

- ▶ **Material:** Powder Coated Cast Aluminum
- ▶ **Lens:** Half Black, Heat Resistant, PC Diffuser
- ▶ **Available Finish:** Black
- ▶ **Lamp:** *Amber LED Board*
- ▶ **Color Temperature:** 1200-1300K
- ▶ **ETL Approved**

MODEL NUMBER	LAMP TYPE	ILLUMINANT TYPE	WATTS (W)	VOLTS (V)	LAMP(S) INCLUDED?
<b>D830-LED20-AMB</b>	<b>LED BOARD</b>	<b>2835 LEDs</b>	<b>20</b>	<b>120-277</b>	<b>YES</b>

**DABMAR**  
LIGHTING

DABMAR LIGHTING INCORPORATED

320 Graves Ave . Oxnard, CA 93030 . 805.604.9090 . f: 805.604.9050 . www.dabmar.com  
4693 19th Street Ct E . Bradenton, FL 34203