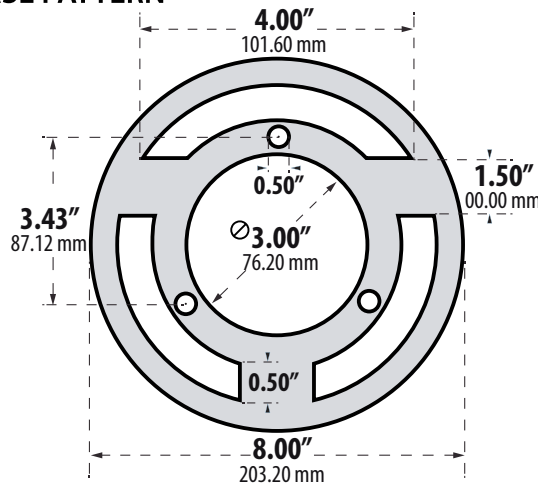


D800

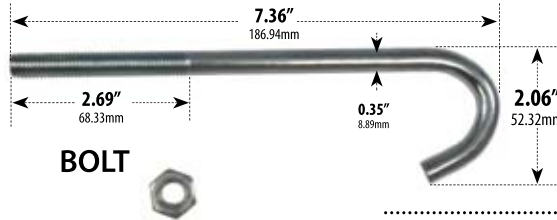
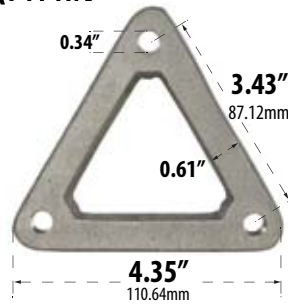
PATH, WALKWAY, DRIVEWAY and ENTRANCE AREA BOLLARD



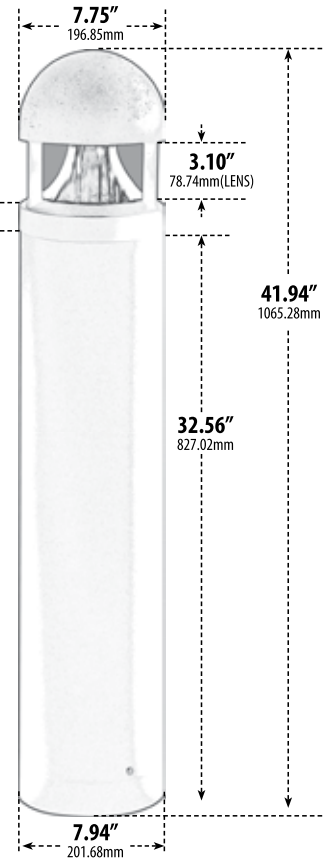
BASE PATTERN



TEMPLATE PATTERN



BOLT



- ▶ **Material:** Powder Coated Cast Aluminum
- ▶ **Lens:** Clear, Heat Resistant, Acrylic Lens
- ▶ **Available Finish:** Black, Bronze, Verde Green
- ▶ **ETL Approved**

Overall Dimensions:
7.94"W x 41.94"H x 7.94"D

Maximum Height: 41.94"
Width: 7.94"
Maximum Depth: 7.94"

Weight: 20.80 lbs
Box Dimensions: 7.81"W x 42.50"H x 8.00"D

| MODEL NUMBER | LAMP TYPE | ILLUMINANT TYPE | WATTS (W) | VOLTS (V) | LAMP(S) INCLUDED? |
|--------------|----------------|-----------------|-----------|-----------|-------------------|
| D800 | A-Type | Incandescent | 60 | 120 | NO |
| D800-LED112 | Tubular G24 2P | 112 LEDs | 20 | 120-277 | YES |
| D803 | HID | HPS | 35 | 120 | YES |
| D804 | HID | HPS | 50 | 120 | YES |
| D804-MT | HID | HPS | 50 | MT | YES |
| D805 | HID | HPS | 70 | 120 | YES |
| D805-MT | HID | HPS | 70 | MT | YES |
| D806 | HID | MH | 70 | 120 | YES |
| D806-MT | HID | MH | 70 | MT | YES |
| D807-35 | HID | MH | 35 | 120 | YES |
| D807 | HID | MH | 50 | 120 | YES |
| D807-MT | HID | MH | 50 | MT | YES |
| D808 | S13-GU24 | Fluorescent | 13 | 120 | YES |
| D809 | S26-GU24 | Fluorescent | 26 | 120 | YES |

DABMAR
LIGHTING

DABMAR LIGHTING INCORPORATED

2140 Eastman Ave . Oxnard, CA 93030 . 805.604.9090 . f: 805.604.9050 . www.dabmar.com