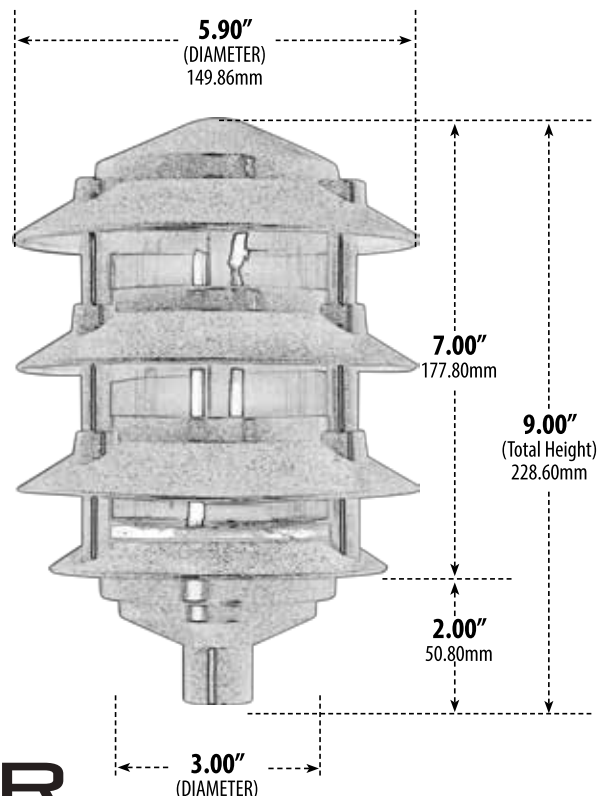
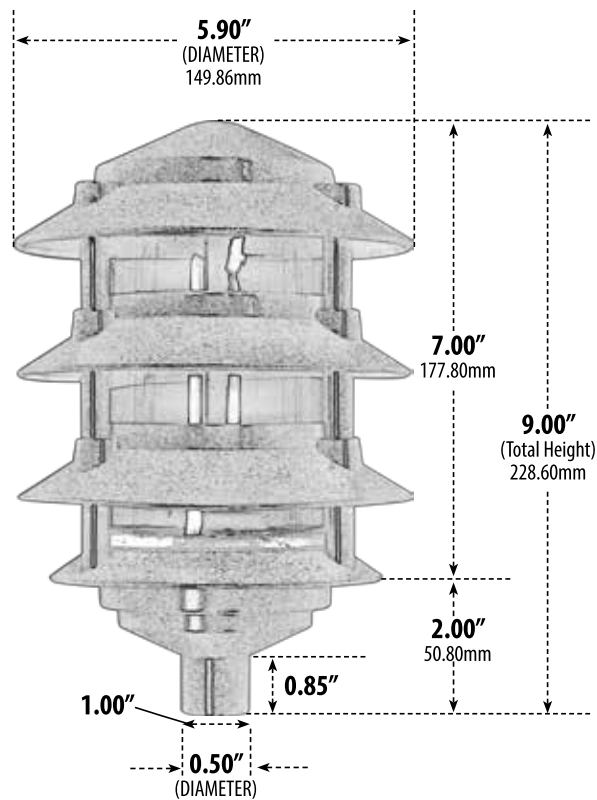


D5100

FOUR-TIER PAGODA LIGHT PATH, WALKWAY AND AREA LIGHTING



- **Material:** Powder Coated Cast Aluminum
- **Lens:** Clear, Heat Resistant, Tempered Glass

MODEL NUMBER	TOP DIA.	BOTTOM DIA.	LAMP TYPE	ILLUMINANT TYPE	WATTS (W)	VOLTS (V)	LAMP(S) INCLUDED?
D5100	6"	1/2"	A-Type	INCANDESCENT	40	120	NO
D5100-LED6	6"	1/2"	A19-LED	FILAMENT LED	6	120	YES
D5101	6"	1/2"	Tubular G24 2P	100 LEDs	12	120-277	YES
D5200	6"	1/2"	PL7	FLUORESCENT	7	120	YES
D5405	6"	3"	A-Type	INCANDESCENT	40	120	NO
D5405-LED6	6"	3"	A19-LED	FILAMENT LED	6	120	YES
D5406	6"	3"	PL7	FLUORESCENT	7	120	YES
D5409	6"	3"	Tubular G24 2P	100 LEDs	12	120-277	YES

- 1/2" NPT or 3" Base
- Riser Not Included
- Replacement Glass Lens: P-GLS-D5100 (sold separately)
- Available Finish: Black, Bronze, Green, Verde Green
- ETL Approved

Overall Dimensions:
9.00"H x 6.00"W x 6.00"D

Weight: 1.60 lbs
Approximate Wire Length: 17"
Pagoda Head Only
(No Stem or Ground Spike Included)
Box Dimensions: 9.00"H x 6.25"W x 6.25"D



DABMAR LIGHTING INCORPORATED

320 Graves Ave . Oxnard, CA 93030 . 805.604.9090 . f: 805.604.9050 . www.dabmar.com
4693 19th Street Ct E . Bradenton, FL 34203