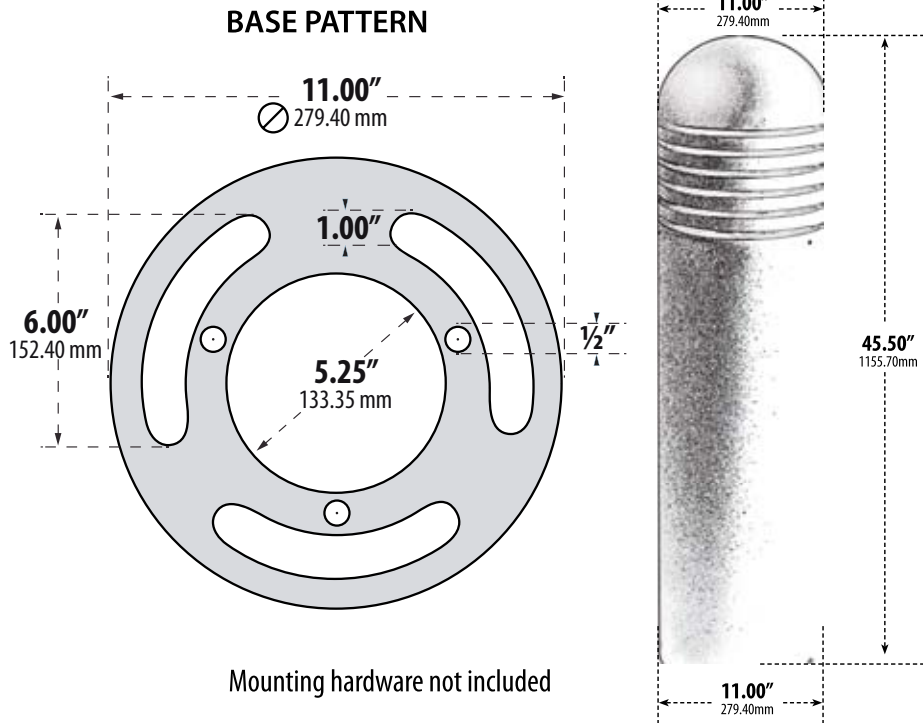


# D500

## PATH, WALKWAY, DRIVEWAY and ENTRANCE AREA BOLLARD



- ▶ **Material:** Powder Coated Steel
- ▶ **Lens:** Clear, Heat Resistant, Tempered Glass Lens
- ▶ **Available Finish:** Black, Bronze, Verde Green
- ▶ **ETL Approved**

MODEL NUMBER	LAMP TYPE	ILLUMINANT TYPE	WATTS (W)	VOLTS (V)	LAMP(S) INCLUDED?
D500	A-Type	Incandescent	60	120	NO
D500-LED112	Tubular G24 2P	112 LEDs	20	120-277	YES
D502-100	HID	HPS	100	120	YES
D502-100-MT	HID	HPS	100	MT	YES
D502	HID	HPS	35	120	YES
D503	HID	HPS	50	120	YES
D503-MT	HID	HPS	50	MT	YES
D504	HID	HPS	70	120	YES
D504-MT	HID	HPS	70	120	YES
D505-35	HID	MH	35	MT	YES
D505-50	HID	MH	50	120	YES
D505-50-MT	HID	MH	50	MT	YES
D505	HID	MH	70	120	YES
D505-MT	HID	MH	70	MT	YES
D506	HID	MH	100	120	YES
D506-MT	HID	MH	100	MT	YES
D510	S13-GU24	Fluorescent	13	120	YES
D511	S26-GU24	Fluorescent	26	120	YES

Overall Dimensions:  
11.00"W x 45.50"H x 11.00"D

Maximum Height: 45.50"  
Width: 11.00"  
Maximum Depth: 11.00"

Weight: 66.7 lbs  
Box Dimensions: 12.63"W x 46.75"H x 12.63"D

**DABMAR**  
LIGHTING

DABMAR LIGHTING INCORPORATED

2140 Eastman Ave . Oxnard, CA 93030 . 805.604.9090 . f: 805.604.9050 . www.dabmar.com