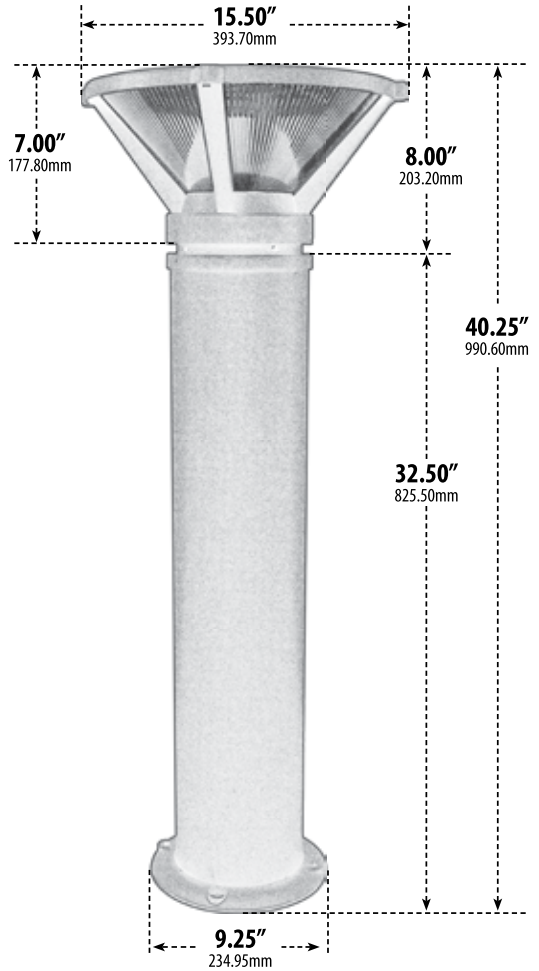
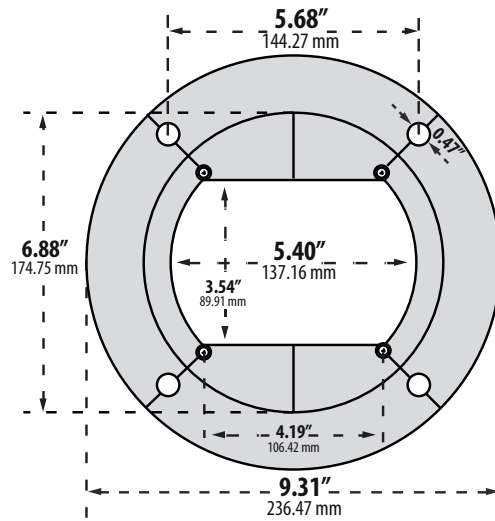


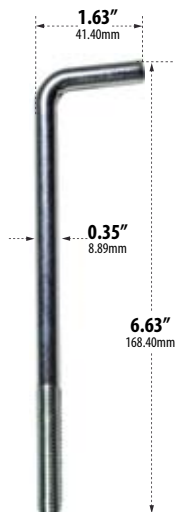
# D480

## PATH, WALKWAY, DRIVEWAY and ENTRANCE AREA BOLLARD

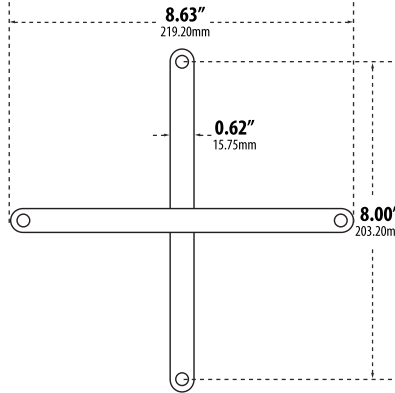
BASE PATTERN



BOLT



TEMPLATE PATTERN



- ▶ **Material:** Powder Coated Cast Aluminum
- ▶ **Lens:** Ribbed, Clear, Heat Resistant, Polycarbonate Lens
- ▶ **Available Finish:** Black, Bronze, Verde Green
- ▶ **ETL Approved**

Overall Dimensions:  
15.50"W x 40.25"H x 15.50"D

Maximum Height: 40.25"  
Width: 15.50"  
Maximum Depth: 15.50"

Weight: 13.60 lbs  
Box Dimensions: 10.00"W x 36.00"H x 10.00"D (BODY)  
Box Dimensions: 14.63"W x 10.00"H x 14.88"D (HEAD)

MODEL NUMBER	LAMP TYPE	ILLUMINANT TYPE	WATTS (W)	VOLTS (V)	LAMP(S) INCLUDED?
D480	A-Type	Incandescent	60	120	NO
D480-LED112	Tubular G24 2P	112 LEDs	20	120-277	YES
D481	S13-GU24	Fluorescent	13	120	YES
D482	S26-GU24	Fluorescent	26	120	YES
D483	HID	HPS	35	120	YES
D484	HID	HPS	50	120	YES
D484-MT	HID	HPS	50	120	YES
D485	HID	HPS	70	120	YES
D485-MT	HID	HPS	70	120	YES
D486	HID	MH	35	120	YES
D487	HID	MH	50	120	YES
D487-MT	HID	MH	50	120	YES
D488	HID	MH	70	120	YES
D488-MT	HID	MH	70	120	YES

**DABMAR**  
LIGHTING

DABMAR LIGHTING INCORPORATED

2140 Eastman Ave . Oxnard, CA 93030 . 805.604.9090 . f: 805.604.9050 . www.dabmar.com