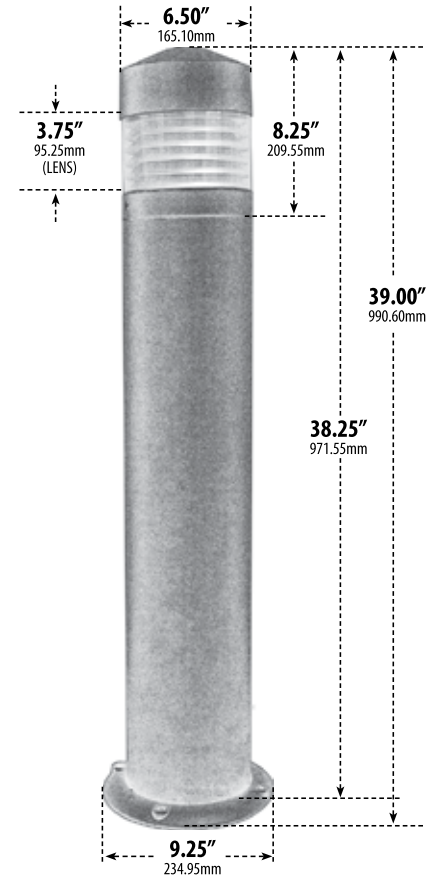
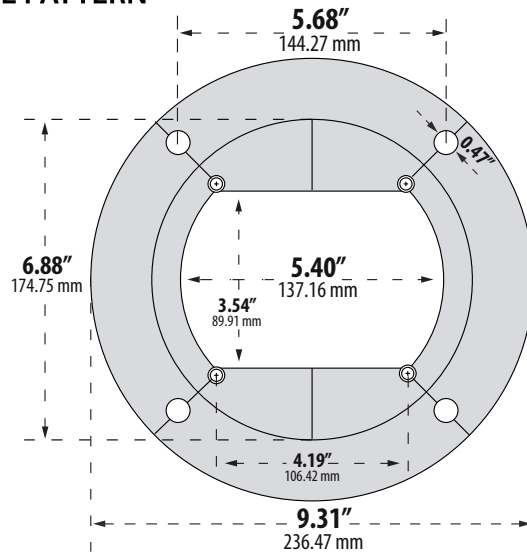


D470

PATH, WALKWAY, DRIVEWAY and ENTRANCE AREA BOLLARD



BASE PATTERN



Overall Dimensions:
9.25"W x 39.00"H x 9.25"D

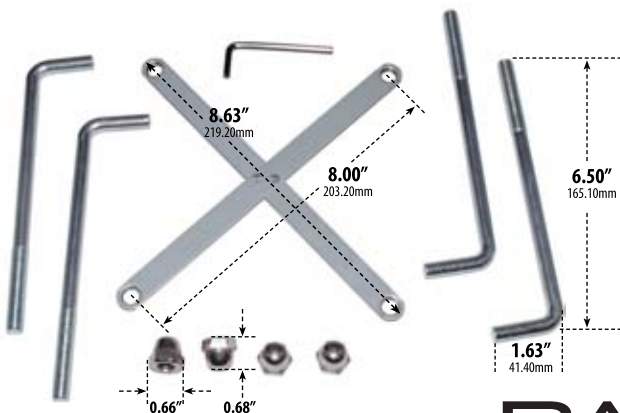
Maximum Height: 39.00"
Width: 9.25"
Maximum Depth: 9.25"

Weight: 14.00 lbs
Box Dimensions: 10.00"W x 43.50"H x 9.75"D

- ▶ **Material:** Powder Coated Cast Aluminum
- ▶ **Lens:** Clear, Heat Resistant, Polycarbonate Lens
- ▶ **Available Finish:** Black, Bronze, Verde Green
- ▶ **ETL Approved**

MODEL NUMBER	LAMP TYPE	ILLUMINANT TYPE	WATTS (W)	VOLTS (V)	LAMP(S) INCLUDED?
D470	A-Type	Incandescent	60	120	NO
D470-LED112	Tubular G24 2P	112 LEDs	20	120-277	YES
D471	S13-GU24	Fluorescent	13	120	YES
D472	S26-GU24	Fluorescent	26	120	YES
D473	HID	HPS	35	120	YES
D474	HID	HPS	50	120	YES
D474-MT	HID	HPS	50	MT	YES
D475	HID	HPS	70	120	YES
D475-MT	HID	HPS	70	MT	YES
D476	HID	MH	35	120	YES
D477	HID	MH	50	120	YES
D477-MT	HID	MH	50	MT	YES
D478	HID	MH	70	120	YES
D478-MT	HID	MH	70	MT	YES

HARDWARE



DABMAR
LIGHTING
DABMAR LIGHTING INCORPORATED