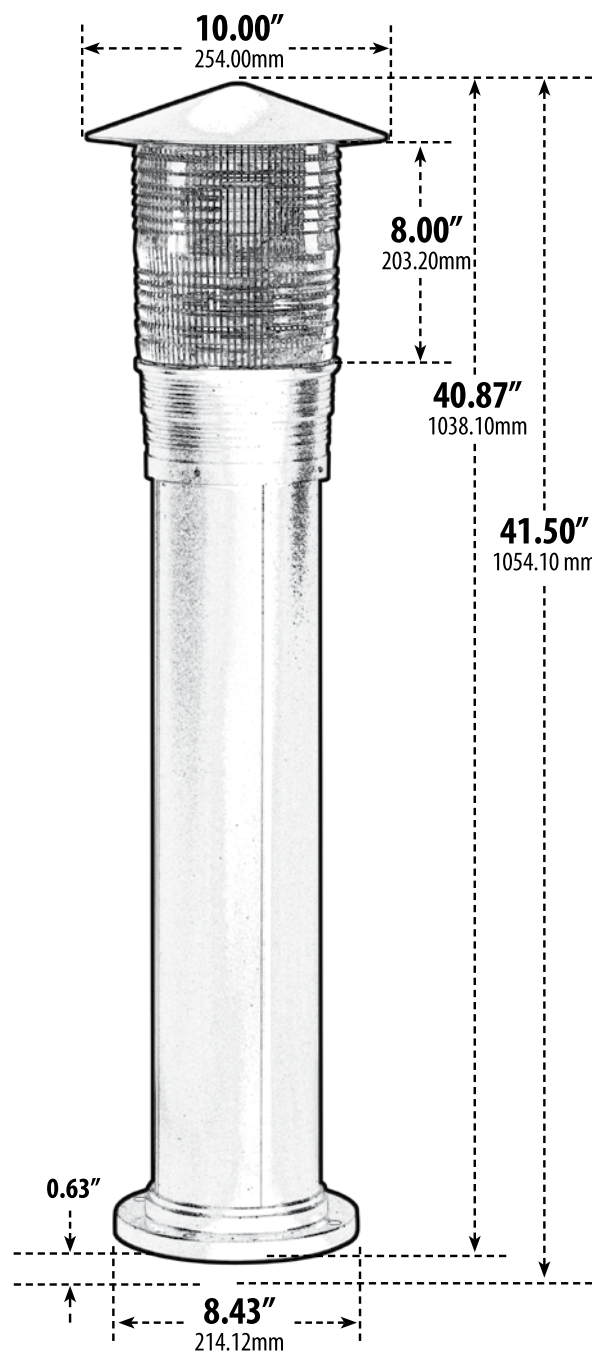


# D350

PATH, WALKWAY, DRIVEWAY and ENTRANCE AREA BOLLARD

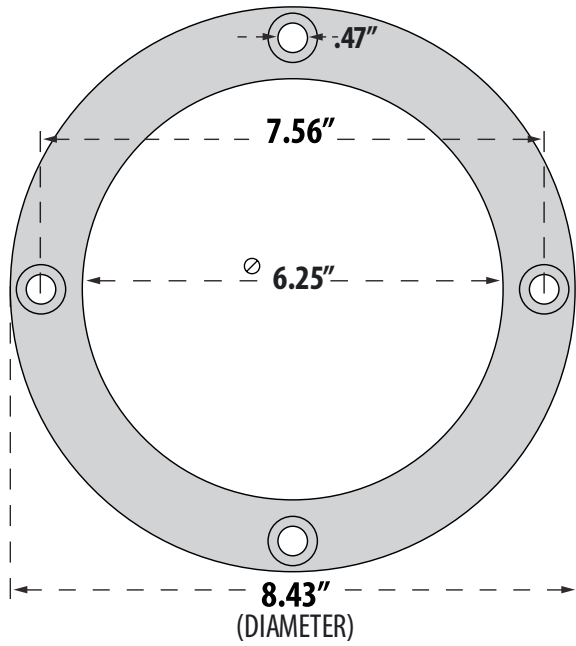


- ▶ **Material:** Powder Coated Cast Aluminum
- ▶ **Lens:** Clear, Prismatic, Heat Resistant, Polycarbonate Lens
- ▶ **Available Finish:** Black, Bronze, Verde Green
- ▶ **ETL Approved**

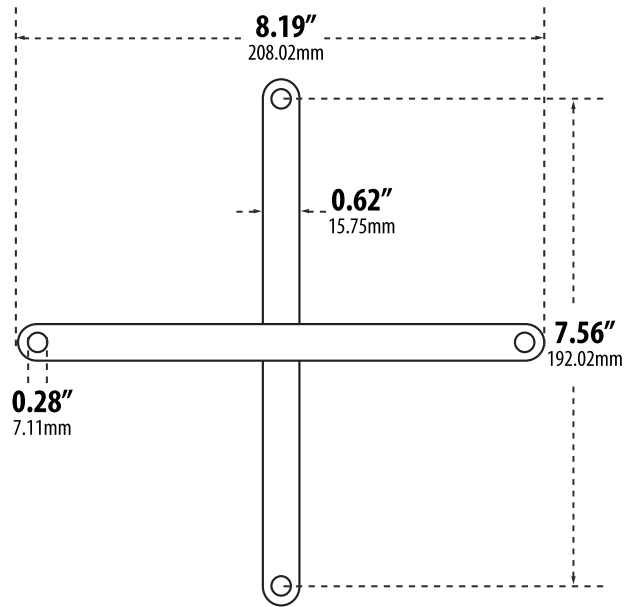
**DABMAR**  
LIGHTING

DABMAR LIGHTING INCORPORATED

320 Graves Ave . Oxnard, CA 93030 . 805.604.9090 . f: 805.604.9050 . www.dabmar.com  
4693 19th Street Ct E . Bradenton, FL 34203

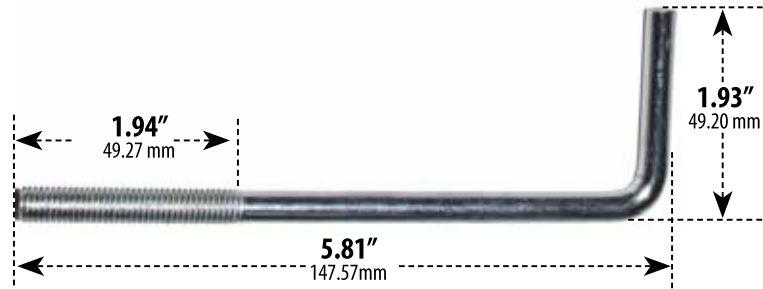


**BASE PATTERN**



**TEMPLATE PATTERN**

**BOLT**



MODEL NUMBER	LAMP TYPE	ILLUMINANT TYPE	WATTS (W)	VOLTS (V)	LAMP(S) INCLUDED?
D350	A-Type	Incandescent	60	120	NO
D350-LED140	G24 2-PIN	140 LEDs	20	120-277	YES
D352-35	HID	MH	35	120	YES
D352-50	HID	MH	50	120	YES
D352-50-MT	HID	MH	50	MT	YES
D352	HID	MH	70	120	YES
D352-MT	HID	MH	70	MT	YES
D353	HID	HPS	35	120	YES
D354	HID	HPS	50	120	YES
D354-MT	HID	HPS	50	MT	YES
D355	HID	HPS	70	120	YES
D355-MT	HID	HPS	70	MT	YES
D357	S13-GU24	Fluorescent	13	120	YES
D358	S26-GU24	Fluorescent	26	120	YES

Overall Dimensions:  
10.00"W x 41.50"H x 10.00"D

Maximum Height: 41.50"  
Width: 10.00"  
Maximum Depth: 10.00"

Weight: 6.2 lbs  
Box Dimensions: 9.50"W x 42.50"H x 9.50"D