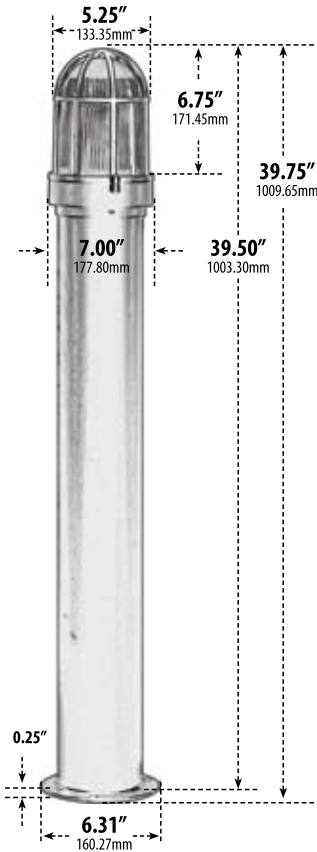
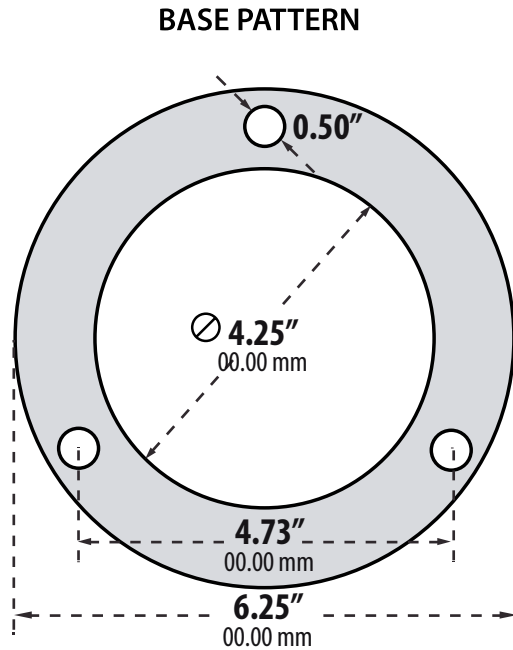


# D3100

## PATH, WALKWAY, DRIVEWAY and ENTRANCE AREA BOLLARD



Overall Dimensions:  
7.00"W x 39.75"H x 7.00"D

Maximum Height: 39.75"  
Width: 7.00"  
Maximum Depth: 7.00"

Weight: 18.50 lbs  
Box Dimensions: 6.50"W x 41.00"H x 7.00"D

Hardware not included

- ▶ **Material:** Powder Coated Steel
- ▶ **Lens:** Ribbed, Frosted, Heat Resistant, Tempered Glass Lens
- ▶ **Available Finish:** Black, Bronze, Verde Green
- ▶ **ETL Approved**

MODEL NUMBER	LAMP TYPE	ILLUMINANT TYPE	WATTS (W)	VOLTS (V)	LAMP(S) INCLUDED?
D3100	A-Type	Incandescent	60	120	NO
D3100-LED112	Tubular G24 2P	112 LEDs	20	120-277	YES
D3127	S13-GU24	Fluorescent	13	120	YES
D3128	S26-GU24	Fluorescent	26	120	YES
D3135	HID	HPS	35	120	YES
D3150	HID	HPS	50	120	YES
D3150-MT	HID	HPS	50	MT	YES
D3170	HID	HPS	70	120	YES
D3170-MT	HID	HPS	70	MT	YES
D3175	HID	MH	35	120	YES
D3176	HID	MH	50	120	YES
D3176-MT	HID	MH	50	MT	YES
D3180	HID	MH	70	120	YES
D3180-MT	HID	MH	70	MT	YES

**DABMAR**  
LIGHTING

DABMAR LIGHTING INCORPORATED

2140 Eastman Ave . Oxnard, CA 93030 . 805.604.9090 . f: 805.604.9050 . www.dabmar.com