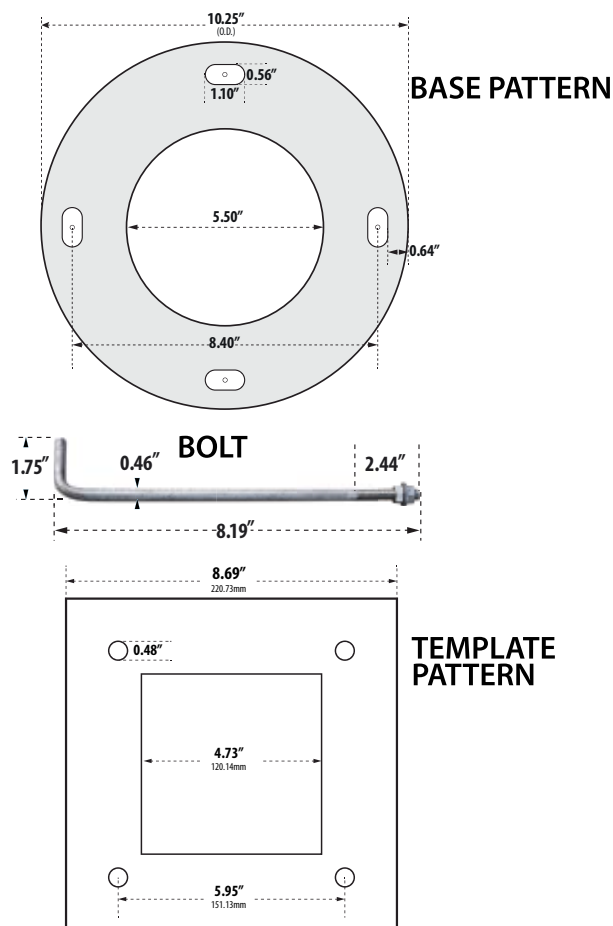
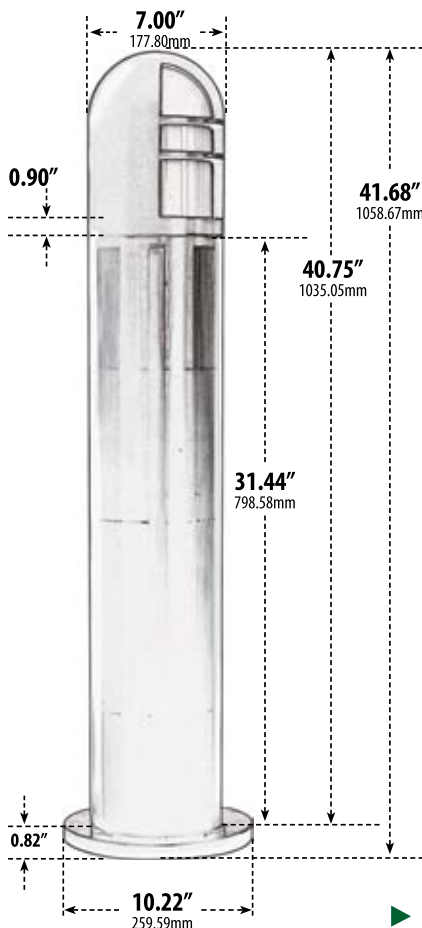


D130

PATH, WALKWAY, DRIVEWAY and ENTRANCE AREA BOLLARD



- ▶ **Material:** Fiberglass
- ▶ **Lens:** White, Heat Resistant, Polycarbonate Lens
- ▶ **Available Finish:** Black, Bronze
- ▶ **ETL Approved**

Overall Dimensions:
10.22"W x 41.68"H x 10.22"D

Maximum Height: 41.68"
Width: 10.22"
Maximum Depth: 10.22"

Weight: 12.40 lbs
Box Dimensions: "W x"H x"D

MODEL NUMBER	LAMP TYPE	ILLUMINANT TYPE	WATTS (W)	VOLTS (V)	LAMP(S) INCLUDED?
D130	A-Type	Incandescent	60	120	NO
D130-LED112	Tubular G24 2P	112 LEDs	20	120-277	YES
D132-35	HID	HPS	35	120	YES
D132-50	HID	HPS	50	120	YES
D132-50-MT	HID	HPS	50	MT	YES
D132	HID	HPS	70	120	YES
D132-MT	HID	HPS	70	MT	YES
D133-35	HID	MH	35	120	YES
D133-50	HID	MH	50	120	YES
D133-50-MT	HID	MH	50	MT	YES
D133	HID	MH	70	120	YES
D133-MT	HID	MH	70	MT	YES
D135	S13-GU24	Fluorescent	13	120	YES
D136	S26-GU24	Fluorescent	26	120	YES

DABMAR
LIGHTING

DABMAR LIGHTING INCORPORATED

2140 Eastman Ave . Oxnard, CA 93030 . 805.604.9090 . f: 805.604.9050 . www.dabmar.com