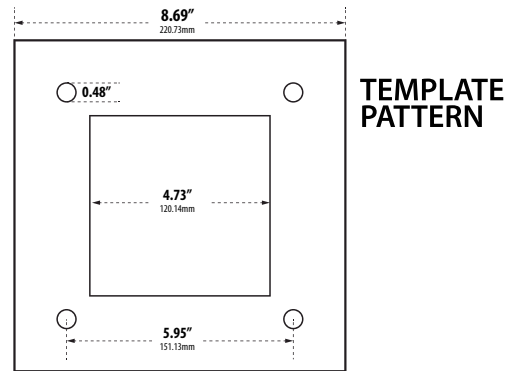
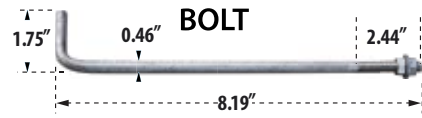
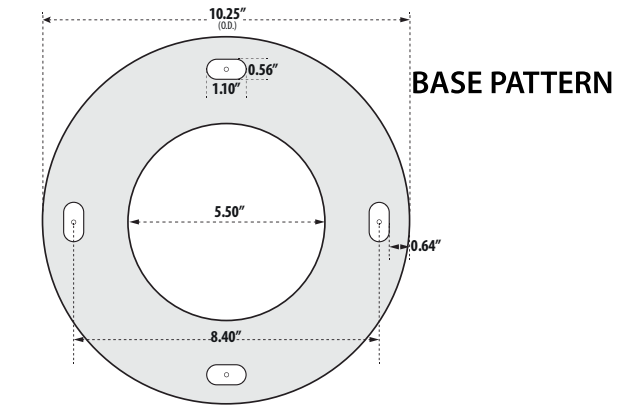
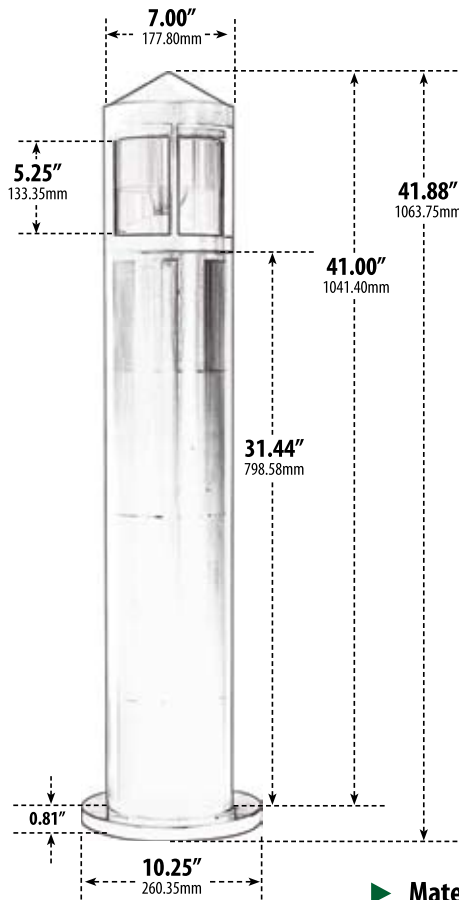


D120

PATH, WALKWAY, DRIVEWAY and ENTRANCE AREA BOLLARD



- ▶ **Material:** Fiberglass
- ▶ **Lens:** Clear/Frosted Polycarbonate Lens
- ▶ **Available Finish:** Black, Bronze
- ▶ **ETL Approved**

Overall Dimensions:
10.25"W x 41.88"H x 10.25"D

Maximum Height: 41.88"
Width: 10.25"
Maximum Depth: 10.25"

Weight: 12.40 lbs
18.00 lbs w box & packaging
Box Dimensions: 10.75"W x 43.50"H x 10.75"D

MODEL NUMBER	LAMP TYPE	ILLUMINANT TYPE	WATTS (W)	VOLTS (V)	LAMP(S) INCLUDED?
D120	A-Type	Incandescent	60	120	NO
D120-LED112	Tubular G24 2P	112 LEDs	20	120-277	YES
D122-35	HID	HPS	35	120	YES
D122-50	HID	HPS	50	120	YES
D122-50-MT	HID	HPS	50	MT	YES
D122	HID	HPS	70	120	YES
D122-MT	HID	HPS	70	MT	YES
D123-35	HID	MH	35	120	YES
D123-50	HID	MH	50	120	YES
D123-50-MT	HID	MH	50	MT	YES
D123	HID	MH	70	120	YES
D123-MT	HID	MH	70	MT	YES
D125	S13-GU24	Fluorescent	13	120	YES
D126	S26-GU24	Fluorescent	26	120	YES

DABMAR
LIGHTING

DABMAR LIGHTING INCORPORATED

2140 Eastman Ave . Oxnard, CA 93030 . 805.604.9090 . f: 805.604.9050 . www.dabmar.com