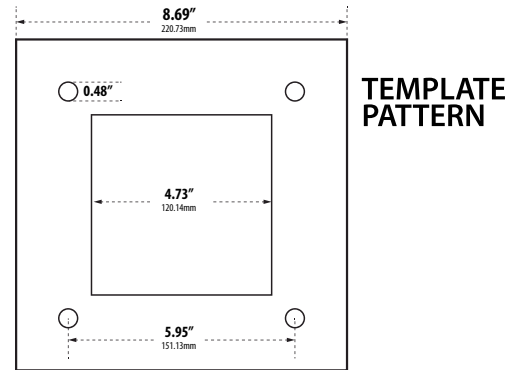
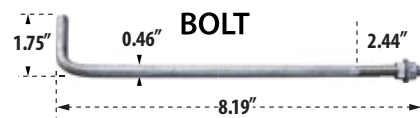
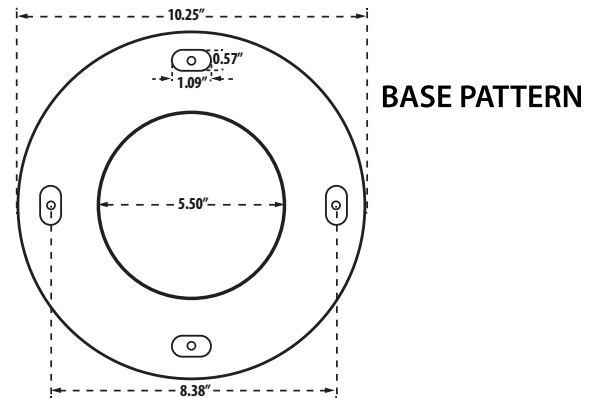


# D110

## PATH, WALKWAY, DRIVEWAY and ENTRANCE AREA BOLLARD



- ▶ **Material:** Fiberglass
- ▶ **Lens:** White, Heat Resistant, Polycarbonate Lens
- ▶ **Available Finish:** Black, Bronze
- ▶ **ETL Approved**

Overall Dimensions:  
10.25"W x 42.00"H x 10.25"D

Maximum Height: 42.00"  
Width: 10.25"  
Maximum Depth: 10.25"

Weight: 16.20 lbs  
Box Dimensions: 11.13"W x 44.00"H x 10.50"D

| MODEL NUMBER | LAMP TYPE      | ILLUMINANT TYPE | WATTS (W) | VOLTS (V) | LAMP(S) INCLUDED? |
|--------------|----------------|-----------------|-----------|-----------|-------------------|
| D110         | A-Type         | Incandescent    | 60        | 120       | NO                |
| D110-LED112  | Tubular G24 2P | 112 LEDs        | 20        | 120-277   | YES               |
| D112-35      | HID            | HPS             | 35        | 120       | YES               |
| D112-50      | HID            | HPS             | 50        | 120       | YES               |
| D112-50-MT   | HID            | HPS             | 50        | MT        | YES               |
| D112         | HID            | HPS             | 70        | 120       | YES               |
| D112-MT      | HID            | HPS             | 70        | MT        | YES               |
| D113-35      | HID            | MH              | 35        | 120       | YES               |
| D113-50      | HID            | MH              | 50        | 120       | YES               |
| D113-50-MT   | HID            | MH              | 50        | MT        | YES               |
| D113         | HID            | MH              | 70        | 120       | YES               |
| D113-MT      | HID            | MH              | 70        | MT        | YES               |
| D115         | S13-GU24       | Fluorescent     | 13        | 120       | YES               |
| D116         | S26-GU24       | Fluorescent     | 26        | 120       | YES               |

**DABMAR**  
LIGHTING

DABMAR LIGHTING INCORPORATED

2140 Eastman Ave . Oxnard, CA 93030 . 805.604.9090 . f: 805.604.9050 . www.dabmar.com