

LED
TECHNOLOGY

50,000 Hours Life, 36Watt, 120/277VAC

Applications:

Ceiling, T-Bar Drop Ceiling, Troffer Replacement

Recessed



Hanging

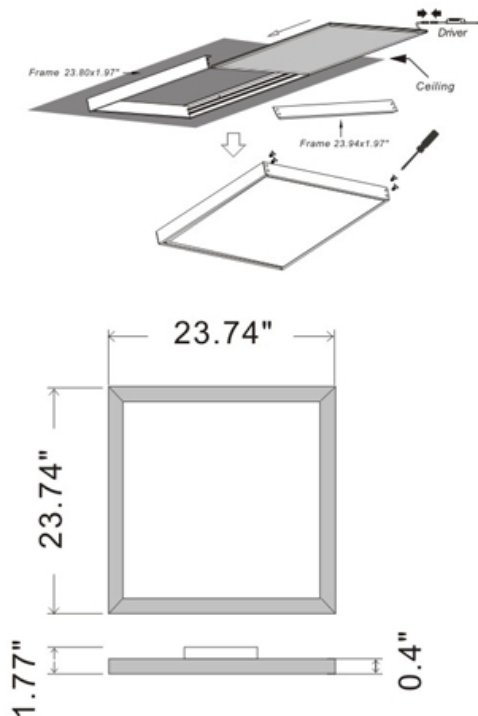


Features:

- Instant on LED
- Replaces 2&4 Lamp Fluorescent Troffer
- Junction Box for Easy Connection
- 10% 0-10V Dimming
- Long Life 50,000 Hours
- White Framed Edge
- Surface Mount Frame Kit Available Sold Separately
- PMMA Light Guidance Panel

Accessories:

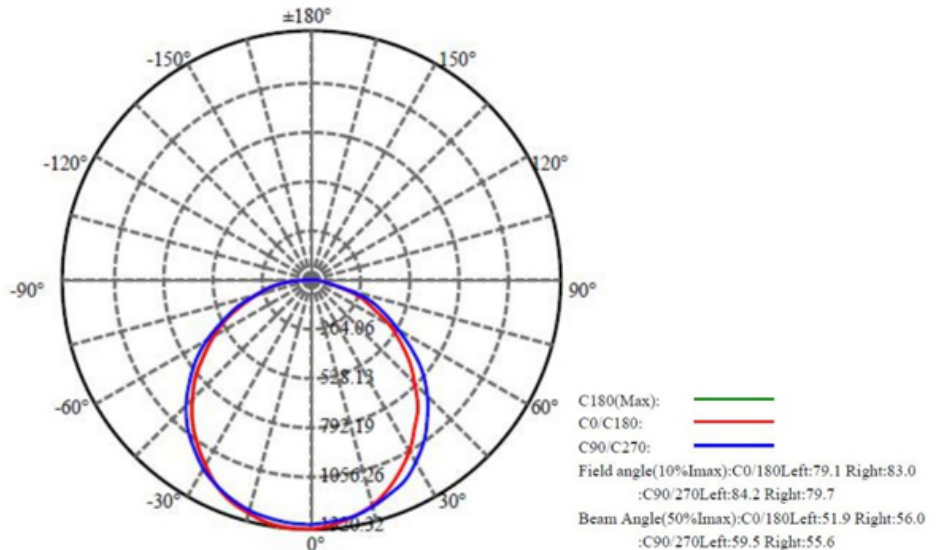
Surface Mounting Frame Kit



Specification:

Input Line Voltage:	120/277VAC
Input Power	36W
Input Line Frequency	50/60Hz
Lamp Life (Rated)	50,000hrs
Minimum Starting Temp	-20°C
Maximum Operating Temp	40°C
CCT	4000K/5000K
CRI	≥80
Lumens	3600
CBCP	1320
Power Factor	<0.90
THD	20%

Light Distribution Curve (Unit: cd)



WARRANTY

5-YEAR *

Model:#	Description	wattage	lumens
CL36P22-D/CW	36 Watt LED Panel Cool White	36W	3600
CL36P22-D/DL	36 Watt LED Panel Day Light	36W	3600

* 5 Years Limited Warranty

UPC: CL36P22-D/CW 806802155050
CL36P22-D/DL 806802155067

Cyber Tech Lighting, Inc.
331 S. Hale Ave. Fullerton, CA 92831 USA.
Tel: 714-870-0794, 1-877-60CYBER Fax: 714-870-0795
www.cybertechlighting.com



CL5-0818