



- Unmatched versatility—whether you are remodeling or working on a new build, this unit has you covered
- Greater range of flexible installation with multi-volt and watt capabilities, from 450 up to 1800 watts maximum, and either 120, 208 or 240 volts
- White and black grille facings are included
- Discreet design provides the heat you need with its copper-clad, finned tubular element
- Housing and grilles are powder-coated paint to remove sharp edges and provide a durable finish
- Rest easy – includes high temperature safety shutoff
- Available with or without a built-in thermostat kit, or use with a line voltage wall thermostat
- Designed and manufactured in the USA

The Perfectoe™ is a powerful heater with multi-watt and multi-volt capabilities that fits safely in your cabinet toe kick area. Whether chosen as a primary heat source for smaller rooms, or as a complementary source in large, open living areas, it's perfect for kitchens, bathrooms and stairwells.

ARCHITECTURAL - ENGINEERING INFORMATION

Fan forced electric air heaters are cULus listed, factory field rated for multi-watt installations (120V/208V/240V). A 22 gauge housing with one 1/2" trade opening and a 45 cubic inch wiring compartment is provided as part of each heater. The heating unit is of unitized construction and secured to the housing. Element is a copper clad steel-finned tube type. All heating units include a 26 amp rated, 120-240 VAC, high temperature automatic reset limit switch. An axial fan blade is driven by a single-speed, permanently lubricated motor. The motor is isolated from the heating chamber. All metal housing components are finished with a powder coat paint system.

TECHNICAL INFORMATION

UL requires heater to be placed a minimum distance of 6 inches from any inside corner or adjacent surfaces. Cadet does not recommend installing heater in toe kick area directly under sink where a person may stand for an extended length of time due to discharge of hot air. A 3-foot minimum clearance is required for furniture or other objects placed directly in front of heater. Heater must be cleaned every six months minimum.

Install horizontally. This heater is not approved for vertical or ceiling installation.



PERFECTOE™

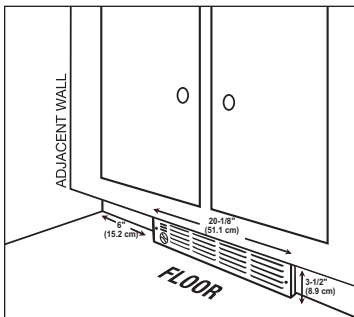
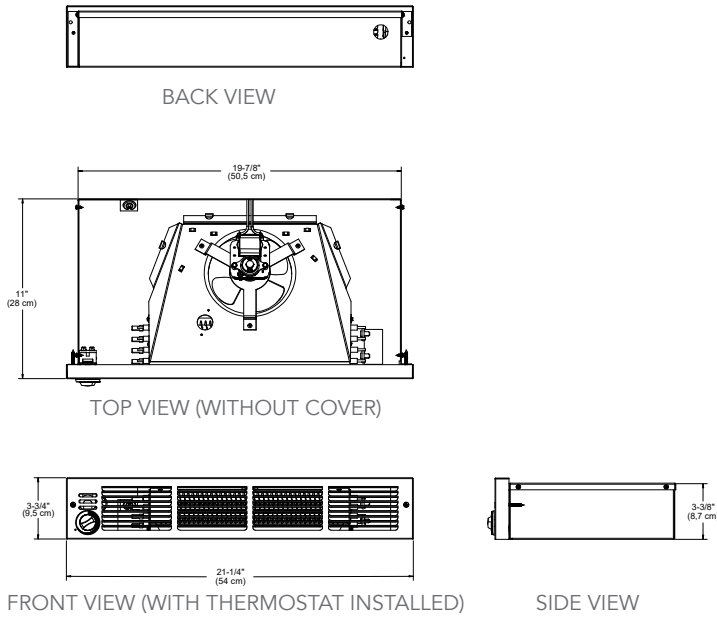
Grille: 21-1/4" W (54 cm) x 3-3/4" H (9.5 cm) x 11" D (28 cm)

Rough-in: 20-1/8" W (51.1 cm) x 3-1/2" H (8.9 cm) x 10-1/2" D (26.7 cm)

Thermostat temperature range 40°F to 85°F (4°C to 29°C)

PART	MODEL	DESCRIPTION	WATTS	VOLTS	AMPS	BTUS	LBS/KG
10051	UCH183	Complete unit, includes two grilles, white and black, no thermostat	450 / 900 / 1350 / 1800	120	3.8 / 7.5 / 11.3 / 15	1535 / 3075 / 4610 / 6145	5.6 / 12.3
			900 / 1800	240	3.8 / 7.5	3075 / 6145	
			675 / 1350	208	3.2 / 6.5	2305 / 4610	
10052	UCH183T	Complete unit with thermostat kit, includes two grilles, white and black	450 / 900 / 1350 / 1800	120	3.8 / 7.5 / 11.3 / 15	1535 / 3075 / 4610 / 6145	5.7 / 12.5
			900 / 1800	240	3.8 / 7.5	3075 / 6145	
			675 / 1350	208	3.2 / 6.5	2305 / 4610	
66051	UCHT	Built-in thermostat kit for model UCH183, single pole, 40°F to 85°F (4°C to 29°C), includes white and black knobs		120 240 208	22		0.22 / 0.5

DIMENSIONS:



ROUGH-IN:
20-1/8" W x 3-1/2" H x 10-1/2" D
51.1 cm x 8.9 cm x 26.7 cm

UCHT THERMOSTAT KIT (sold separately)



MULTI-VOLT WIRING HARNESS (included)

