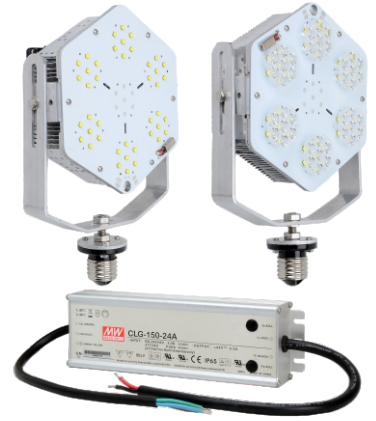




Main Features

- 1,5 years warranty
- 2,Various beam angle of 30 40 120 degree
- 3,Original Cree XTE LEDs which is up to 110Lm/W
- 4,Arm adjustable with any beam angle
- 5,With a big Sunon fan(60,000hours)
- 6,With the most excellent quality meanwell driver
- 7,Available with both 100-300VAC & 347VAC & 480VAC
- 7,Using aluminum fin heat sink which heat transfer faster than die cast
- 8,Tiny package and lighter,lower freight cost,more competitive in the market
- 9,Availble for low bay fixture,street pole,canopy,parking lot shoebox,wall pack,high bay fixtures etc



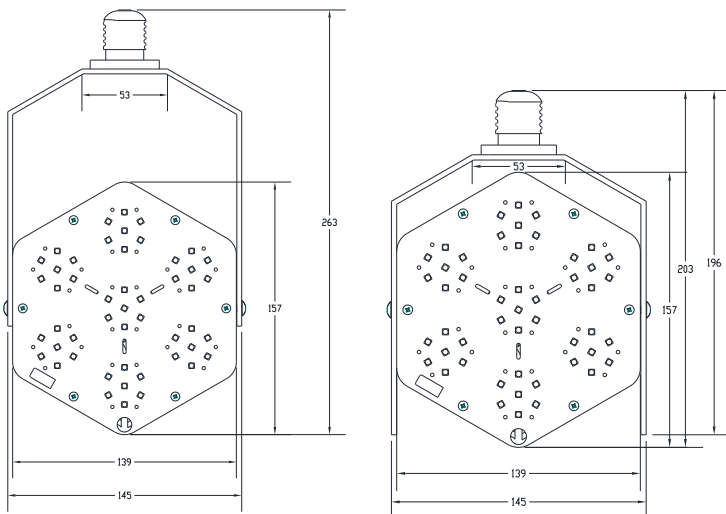
Main Data



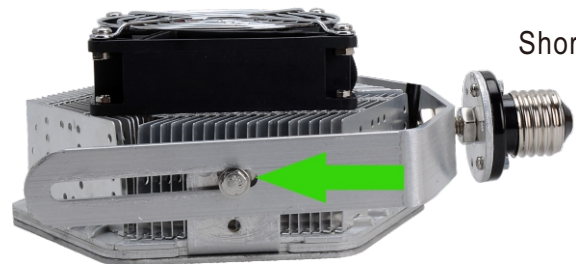
Wattage	60 Watt
Chip brand	42pcs Cree XTE 5W
Driver type	Meanwell Driver
Luminous flux	8,000 Lumen
Input voltage	100-300/347/480VAC
Life Span	50,000hours
Beam Angle	30 / 40 / 120 °
Power Factor	>0.97
Color Temp	3000K-7000K
IP rating	indoor and outdoor

Outer Dimension

E27 E26 shortest size	9.05"*5.47"
E27 E26 longest size	11.8"*5.47"
E40 E39 shortest size	9.84"*5.47"
E27 E26 longest size	12.59"*5.47"



Longest size

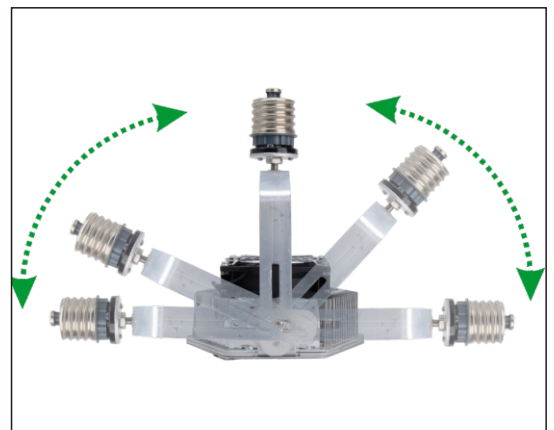
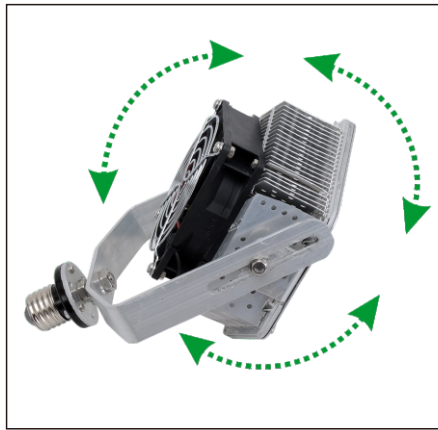
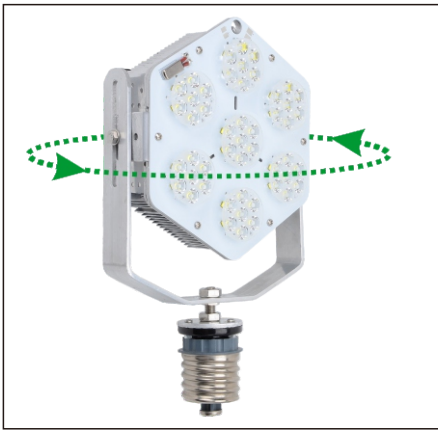


Shortest size

1590 N Roberts RD, Suite 110
 Kennesaw, GA 30144
 (770) 809-3500



Main Construction Features



MEANWELL

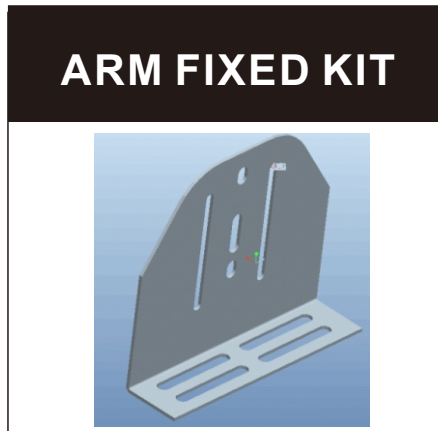
CREE XTE

SUNON FAN



Accessories

- 1,When you are using this led retrofit kit in the canopy,wall pack and parking lot shoebox fixture,you may need a kit to have the driver fixed (Pic 1)
- 2,When you have less space to put a lamp with E26 or E39 base,you may choose to use the arm fixed kit(Pic 2)
- 3,When your traditional fixture has a E40 lamp socket,you may need an adaptor(Pic 3)



(Pic 1)

(Pic 2)

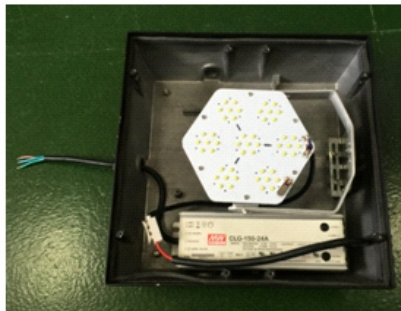
(Pic 3)



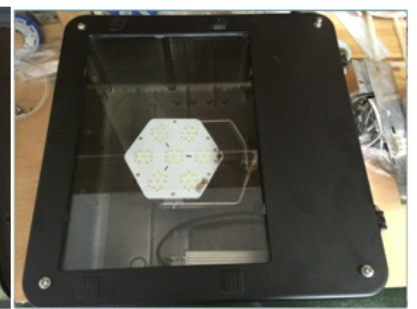
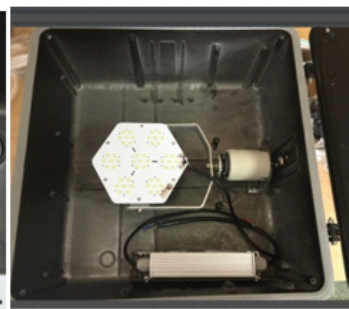
What to be aware of (Cautions)

1. Read the user's manual in detail, make sure product fits environmental condition.
2. Cut the power off before installation
3. DO NOT PRESS the cree chip, or it will lead to 7 pcs CREE Chip died
4. E39/E26 Lamp base is ELECTRICITY FREE
5. Connect the lamp along with meanwell driver before it's connected with power
6. Do not install this LED retrofit kit where ambient temperatures exceed 55 degrees Celsius or over corrosive gas
7. Indoor, Outdoor use in outdoor luminaires (minimum Ip65)
8. Don't throw away casually

Installation Application



1, Use the arm and driver fixed kit in the traditional wall pack & canopy fixture



Option 1, use the arm and driver fixed kit in the traditional parking lot shoebox
Option 2, use the lamp base (E39 E26) in the traditional parking lot shoebox



Product Specification

Application Fixtures



①



②



③



④



⑤



⑥



⑦

① Traditional wall pack fixture

② Traditional parking lot shoebox

③ Traditional canopy fixture

④ Traditional street pole fixture

⑤ Traditional floodlight fixture

⑥ Traditional high bay shoebox

⑦ Traditional low bay fixture

Package details



L * W * H	32*27*16cm
Gross Weight	0.8kg
Package qty	1pc/CTN

L * W * H	63*60*32cm
Gross Weight	14.8kg
Package qty	8pcs/CTN

1590 N Roberts RD, Suite
110 Kennesaw, GA 30144
(770) 809-3500

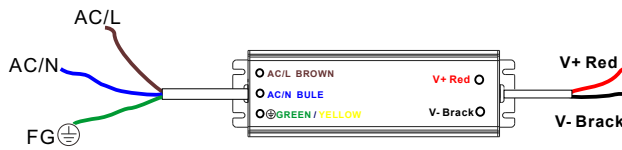
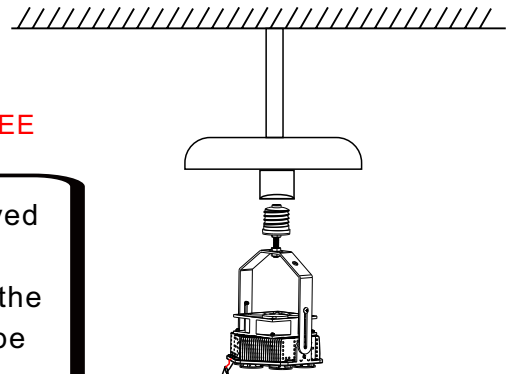


LED Retrofit Kits Cautions



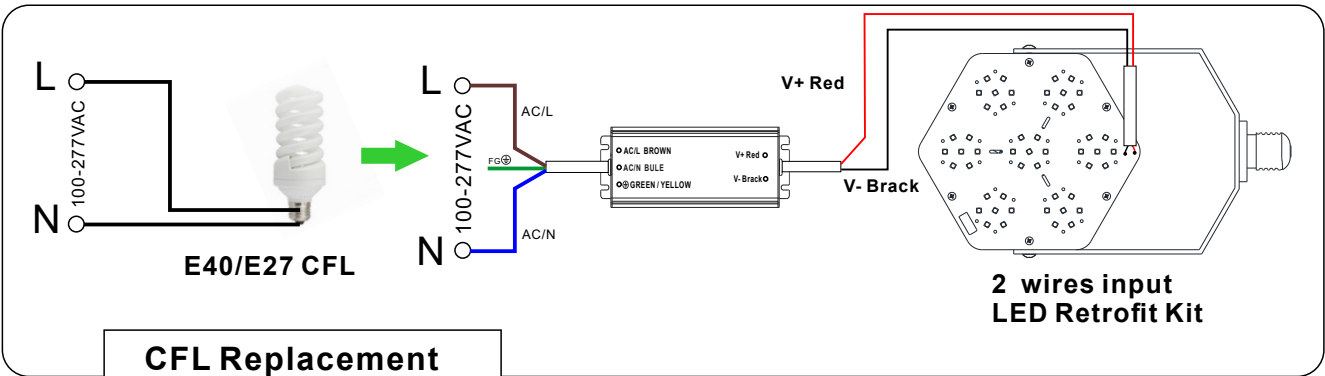
E39 / E26 socket ELECTRICITY FREE

Please notice the led retrofit kit you received need to be connected with the external meanwell driver(as below) before turn on the power. Otherwise the led retrofit kit could be burnt out immediately

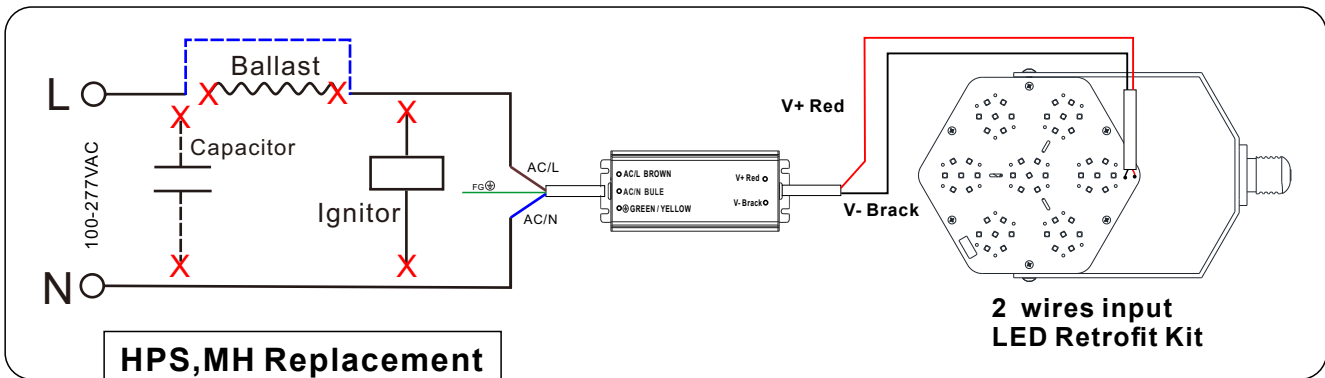


LED Retrofit Kits wiring diagram

Traditional Metal halide, HPS, mercury lamp, they are with an existing ballast
Traditional CFL is without any ballast



CFL Replacement



HPS, MH Replacement



1. Remove or bypass the ballast, capacitor and ignitor
2. Only connect L (live wire), N (null line) to the external meanwell driver

1590 N Roberts RD, Suite
110 Kennesaw, GA 30144
(770) 809-3500