

**IMPORTANT:**  
Read Before Using

**IMPORTANT :**  
Lire avant usage

**IMPORTANTE:**  
Leer antes de usar



**Operating/Safety Instructions**

**Consignes de fonctionnement/sécurité**

**Instrucciones de funcionamiento y seguridad**

**SS355**



**Call Toll Free for  
Consumer Information  
& Service Locations**

**Pour obtenir des informations  
et les adresses de nos centres  
de service après-vente,  
appelez ce numéro gratuit**

**Llame gratis para  
obtener información  
para el consumidor y  
ubicaciones de servicio**

**1-877-ROTOZIP (1-877-768-6947) [www.rotozip.com](http://www.rotozip.com)**

**For English Version  
See page 2**

**Version française  
Voir page 16**

**Versión en español  
Ver la página 30**

## General Power Tool Safety Warnings

**⚠ WARNING** Read all safety warnings and all instructions. Failure to follow the warnings and instructions may result in electric shock, fire and/or serious injury.

### SAVE ALL WARNINGS AND INSTRUCTIONS FOR FUTURE REFERENCE

The term "power tool" in the warnings refers to your mains-operated (corded) power tool or battery-operated (cordless) power tool.

#### Work area safety

**Keep work area clean and well lit.** Cluttered or dark areas invite accidents.

**Do not operate power tools in explosive atmospheres, such as in the presence of flammable liquids, gases or dust.** Power tools create sparks which may ignite the dust or fumes.

**Keep children and bystanders away while operating a power tool.** Distractions can cause you to lose control.

#### Electrical safety

**Power tool plugs must match the outlet. Never modify the plug in any way. Do not use any adapter plugs with earthed (grounded) power tools.** Unmodified plugs and matching outlets will reduce risk of electric shock.

**Avoid body contact with earthed or grounded surfaces such as pipes, radiators, ranges and refrigerators.** There is an increased risk of electric shock if your body is earthed or grounded.

**Do not expose power tools to rain or wet conditions.** Water entering a power tool will increase the risk of electric shock.

**Do not abuse the cord. Never use the cord for carrying, pulling or unplugging the power tool. Keep cord away from heat, oil, sharp edges or moving parts.** Damaged or entangled cords increase the risk of electric shock.

**When operating a power tool outdoors, use an extension cord suitable for outdoor use.** Use of a cord suitable for outdoor use reduces the risk of electric shock.

**If operating the power tool in damp locations is unavoidable, use a Ground Fault Circuit Interrupter (GFCI) protected supply.** Use of an GFCI reduce the risk of electric shock.

#### Personal safety

**Stay alert, watch what you are doing and use common sense when operating a**

**power tool. Do not use a power tool while you are tired or under the influence of drugs, alcohol or medication.** A moment of inattention while operating power tools may result in serious personal injury.

**Use personal protective equipment. Always wear eye protection.** Protective equipment such as dust mask, non-skid safety shoes, hard hat, or hearing protection used for appropriate conditions will reduce personal injuries.

**Prevent unintentional starting. Ensure the switch is in the off-position before connecting to power source and / or battery pack, picking up or carrying the tool.** Carrying power tools with your finger on the switch or energizing power tools that have the switch on invites accidents.

**Remove any adjusting key or wrench before turning the power tool on.** A wrench or a key left attached to a rotating part of the power tool may result in personal injury.

**Do not overreach. Keep proper footing and balance at all times.** This enables better control of the power tool in unexpected situations.

**Dress properly. Do not wear loose clothing or jewelry. Keep your hair, clothing and gloves away from moving parts.** Loose clothes, jewelry or long hair can be caught in moving parts.

**If devices are provided for the connection of dust extraction and collection facilities, ensure these are connected and properly used.** Use of dust collection can reduce dust-related hazards.

#### Power tool use and care

**Do not force the power tool. Use the correct power tool for your application.** The correct power tool will do the job better and safer at the rate for which it was designed.

**Do not use the power tool if the switch does not turn it on and off.** Any power tool that cannot be controlled with the switch is dangerous and must be repaired.

**Disconnect the plug from the power source and/or the battery pack from the power tool before making any adjustments, changing accessories, or storing power tools.** Such preventive safety measures reduce the risk of starting the power tool accidentally.

**Store idle power tools out of the reach of children and do not allow persons unfamiliar with the power tool or these instructions to operate the power tool.** Power tools are dangerous in the hands of untrained users.

**Maintain power tools. Check for misalignment or binding of moving parts, breakage of parts and any other condition that may affect the power tool's operation. If damaged, have the power tool repaired before use.** Many accidents are caused by poorly maintained power tools.

**Keep cutting tools sharp and clean.** Properly maintained cutting tools with sharp cutting edges are less likely to bind and are easier to control.

**Use the power tool, accessories and tool bits etc. in accordance with these instructions, taking into account the working conditions and the work to be performed.** Use of the power tool for operations different from those intended could result in a hazardous situation.

### Service

**Have your power tool serviced by a qualified repair person using only identical replacement parts.** This will ensure that the safety of the power tool is maintained.

## Spiral Saw Safety Rules

**Hold power tool by insulated gripping surfaces, because the cutter may contact its own cord.** Cutting a "live" wire may make exposed metal parts of the power tool "live" and shock the operator.

**Use clamps or another practical way to secure and support the workpiece to a stable platform.** Holding the work by your hand or against the body leaves it unstable and may lead to loss of control.

**Always make sure the work surface is free from nails and other foreign objects.** Cutting into a nail can cause the bit and the tool to jump and damage the bit.

**Never hold the workpiece in one hand and the tool in the other hand when in use. Never place hands near or below cutting surface.** Clamping the material and guiding the tool with both hands is safer.

**Never lay workpiece on top of hard surfaces, like concrete, stone, etc...** Protruding cutting bit may cause tool to jump.

**Always wear safety goggles and dust mask. Use only in well ventilated area.** Using personal safety devices and working in safe environment reduces risk of injury.

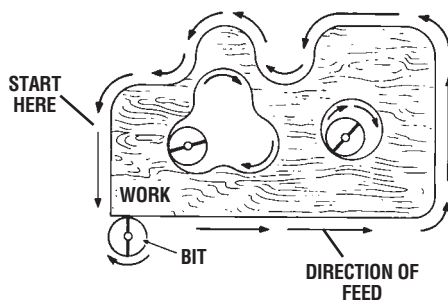
**After changing the bits or making any adjustments, make sure the collet nut and any other adjustment devices are securely tightened.** Loose adjustment device can

unexpectedly shift, causing loss of control, loose rotating components will be violently thrown.

**Never start the tool when the bit is engaged in the material.** The bit cutting edge may grab the material causing loss of control of the cutter.

**Always hold the tool with two hands during start-up.** The reaction torque of the motor can cause the tool to twist.

**When routing or cutting, the direction of feed with the bit's cutting edge into the material is very important. Always feed the bit into the material in the same direction as the cutting edge is exiting from the material.** When viewing the tool from the top, the bit rotates clockwise. If the tool is between the workpiece and your body, then feed the



tool to your right. If the workpiece is between the tool and your body, then feed the tool to your left. Feeding the tool in the wrong direction causes the cutting edge of the bit to climb out of the work and pull the tool in the direction of this feed.

**Never use dull or damaged bits. Sharp bits must be handled with care.** Damaged bits can snap during use. Dull bits require more force to push the tool, possibly causing the bit to break.

**Never touch the bit during or immediately after the use.** After use the bit is too hot to be touched by bare hands.

**Never lay the tool down until the motor has come to a complete standstill.** The spinning bit can grab the surface and pull the tool out of your control.

**Never use bits that have a cutting diameter greater than the opening in the base.**

**Do not use the tool for drilling purposes.** This tool is not intended to be used with drill bits.

**Always use the tool with the depth guide securely attached and positioned flat against material being cut.** The guide securely positioned on the material improves the stability and control of your tool.

**When connecting tool to dust collection and extraction systems, be sure these are connected and used according to tool and vacuum instructions.** Proper use of dust collection can reduce dust related hazards.

**When using tool with dust collection and extraction systems, empty the dust**

**container before beginning work, frequently during work, after completion of work, and before storing the tool.** Be extremely careful of dust disposal, materials in fine particle form may be explosive.

**Do not throw dust on an open fire.** Fine dust particles may burn explosively.

**When performing sanding and surface preparation operations with tool connected to a dust collection and extraction system be aware of the materials creating the dust.**

Combustion from mixture of varnishes, lacquers, polyurethane, oil or water with dust particles can occur if there is a static discharge, electric spark, or excessive heat causing a fire in the dust collection and extraction system.

**Do not use dust extraction for operations that include burning, smoking or smoldering items like hot ashes or sparks.**

Fire inside the vacuum tank or bag may occur. Dust may smolder and set vacuum on fire long after work is completed.

**Do not use dust extraction with explosive dusts, varnish, polyurethane coatings, cleaners, or oil-based paints.** Electric motors create sparks which may ignite the dust or fumes.

**Do not use dust extraction when working on metal.** Swarf from sanding, grinding or cutting metal may be hot and may spark which may melt plastic adaptors, vacuum hoses, and may cause a fire inside the vacuum tank or bag.

## Additional Safety Warnings

GFCI and personal protection devices like electrician's rubber gloves and footwear will further enhance your personal safety.

**Do not use AC only rated tools with a DC power supply.** While the tool may appear to work, the electrical components of the AC rated tool are likely to fail and create a hazard to the operator.

**Keep handles dry, clean and free from oil and grease.** Slippery hands cannot safely control the power tool.

**Develop a periodic maintenance schedule for your tool. When cleaning a tool be careful not to disassemble any portion of the tool since internal wires may be misplaced or pinched or safety guard return springs may be improperly mounted.** Certain cleaning agents such as gasoline, carbon tetrachloride, ammonia, etc. may damage plastic parts.

Risk of injury to user. The power cord must only be serviced by a Rotozip Factory Service Center or Authorized Rotozip Service Station.




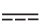








**⚠ WARNING** Some dust created by power sanding, sawing, grinding, drilling, and other construction activities contains chemicals known to cause cancer, birth defects or other reproductive harm. Some examples of these chemicals are:

- Lead from lead-based paints,
- Crystalline silica from bricks and cement and other masonry products, and
- Arsenic and chromium from chemically-treated lumber.

Your risk from these exposures varies, depending on how often you do this type of work. To reduce your exposure to these chemicals: work in a well ventilated area, and work with approved safety equipment, such as those dust masks that are specially designed to filter out microscopic particles.

## Symbols

**IMPORTANT:** Some of the following symbols may be used on your tool. Please study them and learn their meaning. Proper interpretation of these symbols will allow you to operate the tool better and safer.

| Symbol  | Name                                    | Designation/Explanation   |
|---|---|---|
| V   | Volts                                   | Voltage (potential)   |
| A   | Amperes                                 | Current   |
| Hz  | Hertz                                   | Frequency (cycles per second)   |
| W   | Watt                                    | Power   |
| kg  | Kilograms                               | Weight  |
| min   | Minutes                                 | Time  |
| s   | Seconds                                 | Time  |
| ∅   | Diameter                                | Size of drill bits, grinding wheels, etc.                             |
| $n_0$   | No load speed                           | Rotational speed, at no load  |
| n   | Rated speed                             | Maximum attainable speed  |
| .../min   | Revolutions or reciprocation per minute | Revolutions, strokes, surface speed, orbits etc. per minute           |
| 0   | Off position                            | Zero speed, zero torque...  |
| 1, 2, 3, ...<br>I, II, III,   | Selector settings                       | Speed, torque or position settings. Higher number means greater speed |
|    | Infinitely variable selector with off   | Speed is increasing from 0 setting                                    |
|    | Arrow                                   | Action in the direction of arrow                                      |
|    | Alternating current                     | Type or a characteristic of current                                   |
|   | Direct current                          | Type or a characteristic of current                                   |
|  | Alternating or direct current           | Type or a characteristic of current                                   |
|  | Class II construction                   | Designates Double Insulated Construction tools.                       |
|  | Earthing terminal                       | Grounding terminal  |
|  | Warning symbol                          | Alerts user to warning messages                                       |
|  | Li-ion RBRC seal                        | Designates Li-ion battery recycling program                           |
|  | Ni-Cad RBRC seal                        | Designates Ni-Cad battery recycling program                           |
|  | Read manual symbol                      | Alerts user to read manual  |
|  | Wear eye protection symbol              | Alerts user to wear eye protection                                    |

## Symbols (continued)

**IMPORTANT:** Some of the following symbols may be used on your tool. Please study them and learn their meaning. Proper interpretation of these symbols will allow you to operate the tool better and safer.



This symbol designates that this tool is listed by Underwriters Laboratories.



This symbol designates that this tool is recognized by Underwriters Laboratories.



This symbol designates that this tool is listed by Underwriters Laboratories, to United States and Canadian Standards.



This symbol designates that this tool is listed by the Canadian Standards Association.



This symbol designates that this tool is listed by the Canadian Standards Association, to United States and Canadian Standards.



This symbol designates that this tool is listed by the Intertek Testing Services, to United States and Canadian Standards.



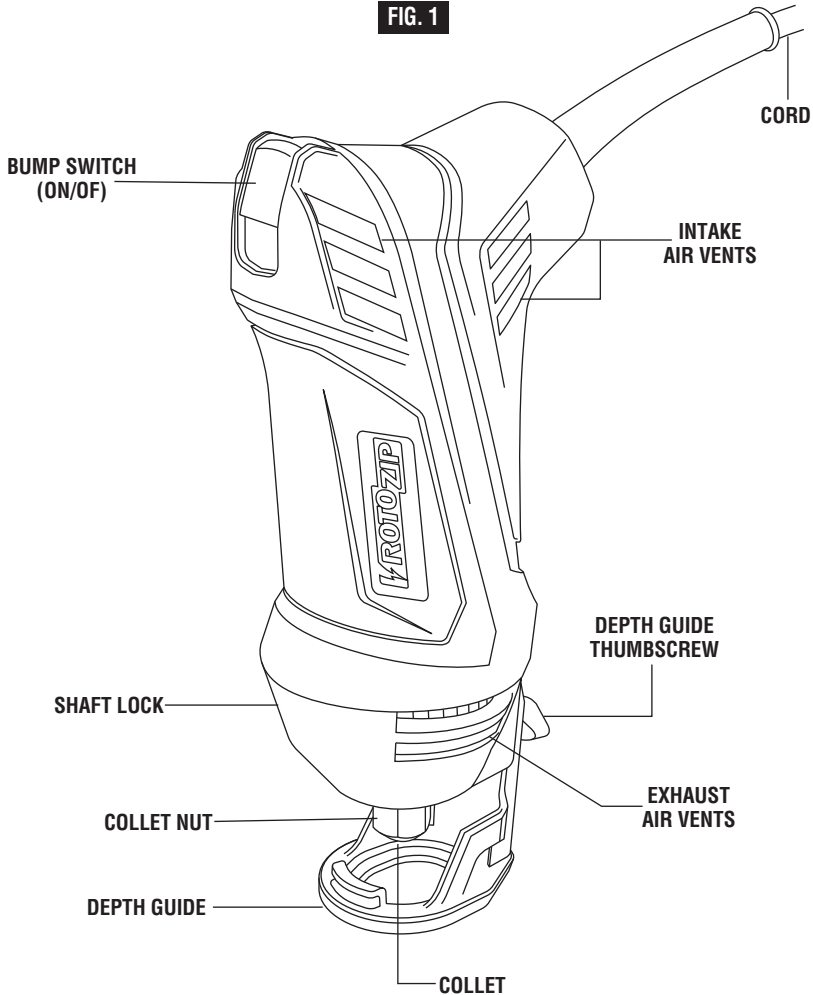
This symbol designates that this tool complies to NOM Mexican Standards.

## Functional Description and Specifications

**⚠ WARNING** Disconnect the plug from the power source before making any assembly, adjustments or changing accessories. Such preventive safety measures reduce the risk of starting the tool accidentally.

### Spiral Saw™

FIG. 1



The rated speed of the accessory must be at least equal to the maximum speed marked on the power tool. Accessories running faster than their RATED SPEED can break and fly apart.

**NOTE:** For tool specifications refer to nameplate on your tool.



## Assembly

**⚠ WARNING** **Disconnect the plug from the power source before making any assembly, adjustments or changing accessories.** Such preventive safety measures reduce the risk of starting the tool accidentally. Make certain that the collet nut is securely tightened before turning the tool on.

### REMOVING, INSTALLING, AND ADJUSTING THE DEPTH GUIDE

In order to remove the depth guide from the tool, turn the thumb screw counter-clockwise until you can remove it from the tool. The depth guide should then pull freely from the tool.

To reattach the depth guide, line up the slot in the depth guide with the threaded hole in the metal housing and re-install the thumb screw by rotating it clockwise until tight. Be careful not to cross-thread the thumb screw.

The depth guide allows you to control the depth of cut. Loosen the thumb screw by turning it counter-clockwise until the depth guide can slide freely on the metal housing. For bits with a guide point (Drywall XBITS™, Guidepoint® and Window & Door Zip® bits) make sure that the entire guide point tip will extend 1/8" beyond the material thickness (Fig. 2). For standard point drywall Zip® bits, make sure that the fluted end of the bit extends 1/8" beyond the material thickness.

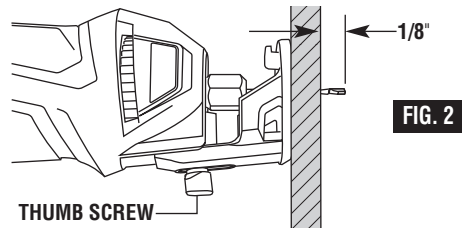


FIG. 2

### CHANGING THE COLLET

**⚠ WARNING** **The bit flutes are sharp and should be handled with caution.**

The 1/8" collet is used with 1/8" diameter bits, the 1/4" collet is used with 1/4" diameter bits and the 5/32" collet is used with 5/32" diameter bits.

To change collets, loosen the collet nut with the included wrench and remove the bit. Continue to loosen and unscrew the collet nut until you can remove it from the tool. Remove the collet and replace it with the other (Fig. 3).

(Each collet is double-ended, and either end

is acceptable to use.) By hand, re-tighten the collet nut around the collet in a clockwise direction. You are now ready to insert a new bit as instructed in Installing Bits (Fig. 4).

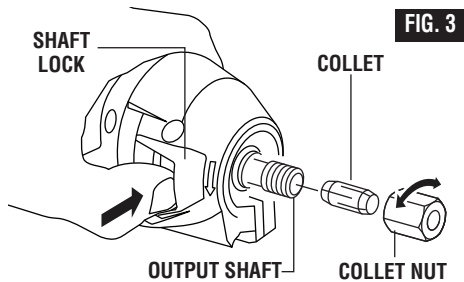


FIG. 3

### INSTALLING BITS

The bits are held by a collet system. Use either the 1/8", 1/4" or 5/32" collet depending on the size of the bit shank.

Depress the shaft-lock in and rotate the collet nut and shaft until the shaft-lock engages and holds the shaft.

Use the included wrench to loosen the nut by rotating it counter-clockwise (Fig 4). Remove the old bit (if there is one) and insert the new bit as far as possible. Re-engage the shaft lock and tighten the nut by rotating it clockwise by hand, then with the wrench until the bit is held securely.

**⚠ CAUTION** **To prevent damage to tool, never use the shaft lock as a braking device to stop the tool from rotating.**

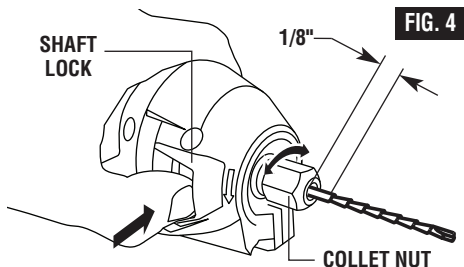


FIG. 4

## Operating Instructions

### BUMP SWITCH (ON/OFF)

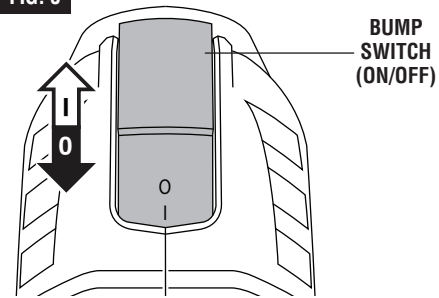
This tool is switched “ON” by the bump switch located on the back of the motor housing (Fig. 5).

**TO TURN THE TOOL “ON”** slide the switch button up or “I” position.

**TO TURN THE TOOL “OFF”** slide the switch button down or “O” position.

**⚠ WARNING** Hold the tool with both hands while starting, since torque from the motor can cause the tool to twist.

FIG. 5



### MAKE A FEW PRACTICE CUTS

After installing the bit into the tool and adjusting your depth guide, you should make a few practice cuts with the tool before attempting an actual job. A few exercises will give you the necessary practice to make clean, professional cuts.

**Step 1:** Make certain that the collet nut is securely tightened before turning the tool on.

**Step 2:** Hold the tool firmly and turn the tool ON to your desired speed.

**Step 3:** While holding the tool firmly, insert the bit into the material at a 45° angle (Fig. 6).

**Step 4:** Slowly bring it to a 90° angle to begin the cut (Fig. 7). The base guide should be flush to the material surface. For all materials (EXCEPT cutting around outlet boxes in drywall), steer the tool in a clockwise direction with slow, steady pressure to make the cut.

**Step 5:** After completing your cut, turn off the tool and carefully remove it from the material. Do not attempt to use this tool to make cutouts around any fixture or opening which has live electrical wires, or any wall which may have live electrical wiring behind it, as the bit could conduct current to the tool, creating an electrocution hazard for the operator. Shut off breakers or remove fuses to disconnect the circuit. Always hold the tool by its thermoplastic housing, and always wear eye protection when operating a Spiral Saw power tool.

**NOTE:** Because of the rotating cutting action of the bit, there will be a slight pull when cutting. The slower you cut, the more control you have. Excessive pressure or fast cutting

will cause excessive heat and may shorten the life of the bit.

**NOTE:** When cutting on a vertical surface, avoid ending your cut at the bottom of the hole. If possible, start and end your cut at the top so the scrap part will not drop onto the rotating bit. Turn the tool off and remove it from the material.

FIG. 6

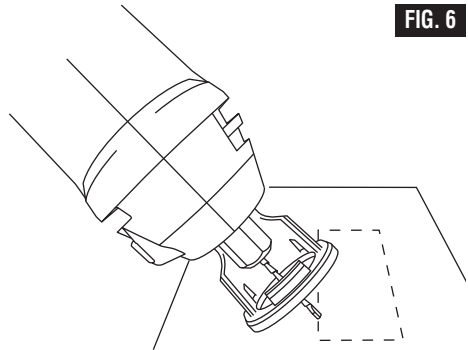
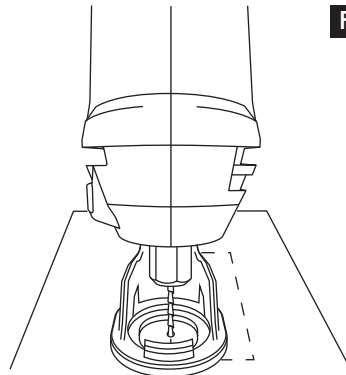


FIG. 7



## INSTRUCTIONS FOR CREATING CUT-OUTS IN DRYWALL FOR OUTLETS, CAN LIGHTS, WINDOWS, AND DOORS

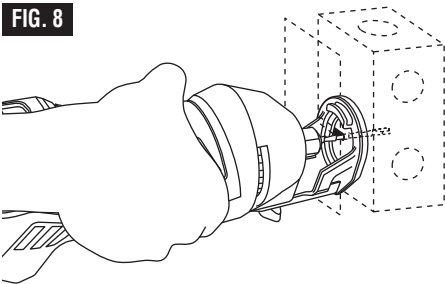
After assembling the bit into the tool as described earlier, it will be necessary to review the instructions provided below and make some practice cut-outs with this tool before attempting an actual job. The best method is to take some scrap pieces and nail or screw them in place over wall studs which have an electrical box or other feature in place. A few such exercises will give you the necessary practice to make clean, professional cutouts around whatever is behind the drywall you are installing.

**⚠ WARNING** Do not attempt to use this tool to make cut-outs around any fixture or opening which has live electrical wires, or on any wall which may have live electrical wiring behind it, as the bit could conduct current to the tool, creating an electrocution hazard for the operator. Shut off breakers or remove fuses to disconnect the circuit. Always hold the tool by its thermoplastic housing, and always wear eye protection when operating this device.

**Step 1:** Be certain that the box or fixture is firmly mounted and all wires or other obstructions around the opening are pushed back out of the way. The bit uses the outer edge of the box or fixture as a guide, so it is important that there is nothing in the way which can prevent it from guiding completely around the opening. For the purposes of this instruction manual, the procedure discussed will be to make a cut-out around a standard 2 1/8" x 3 3/4" electrical box.

**Step 2:** Slide switch to turn the tool on. While holding the Sprial Saw® firmly with both hands, plunge the bit through the mark you made. Then guide the bit to the right until you feel and hear the bit touch the inside edge of the box (Fig. 8).

**FIG. 8**



**Step 3:** Pull the bit out far enough to slip it over the edge of the box so it is now against the outside of the box (Fig. 9).

**Step 4:** While keeping the bit in contact with the outside of the box move the tool counter clockwise while applying light inward and upward pressure until you feel and hear it come to the corner. As you round the corner apply light pressure left and downward (Fig. 9).

**Step 5:** While moving slowly and continuously along the top contour you will feel the bit come to the next corner. Round the corner and apply light down and inward pressure until the bottom corner is reached (Fig. 9).

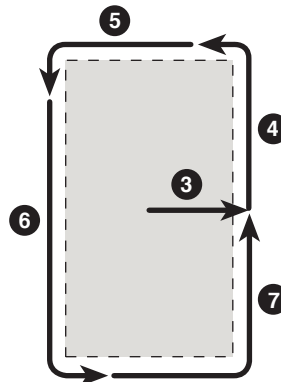
**Step 6:** Move the bit right and upward maintaining light continuous pressure toward the box (Fig. 9).

**Step 7:** Round the right bottom corner and begin moving the bit upward while applying light pressure left toward the box until you meet initial upward cut. Push Sprial Saw® switch to off (Fig. 9).

**Step 8:** The completed box, executed quickly, neatly, and in a fraction of the time taken by other methods.

**NOTE:** These step-by-step instructions are generalized to acquaint you with the Sprial Saw's® operation. After some practice, you may develop a technique with which you are more comfortable. However, you must always begin the cut somewhat centrally, and MOVE THE Sprial Saw® ONLY COUNTER-CLOCKWISE to take advantage of the "hugging" action of the bit along the contours of the template. Remember to use a smooth, continuous motion. The exception to this rule applies to cutting window and door openings. Since you are tracing around the inside of the framing members, move the bit clockwise to take advantage of the bits "hugging" action.

**FIG. 9**



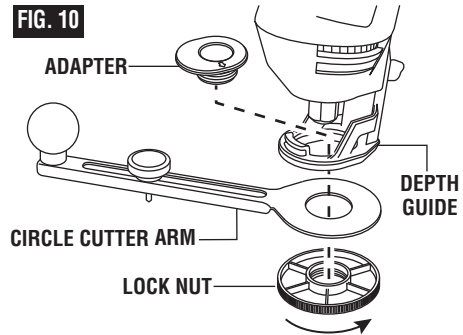
## Functional Description and Specifications

**⚠ WARNING** Disconnect the plug from the power source before making any assembly, adjustments or changing accessories. Such preventive safety measures reduce the risk of starting the tool accidentally.

### Optional Circle Cutter Attachment NOT INCLUDED WITH ALL KITS

#### ATTACHING CIRCLE CUTTER

1. Loosen the depth guide thumbscrew and extend the depth guide as far as it will go.
2. Insert adapter into hole from the top side of depth guide as shown (Fig. 10).
3. Position in circle cutter arm onto threaded portion of the adapter from bottom side of depth guide and securely tighten with lock nut.



### Dust Extraction Kit NOT INCLUDED WITH ALL KITS

#### ATTACHING DUST SHIELD

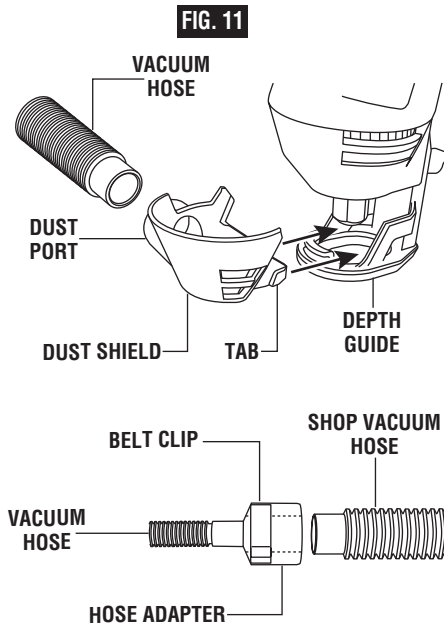
1. Position dust shield as shown and push shield into depth guide until tabs on dust shield lock into slots on both side of the depth guide.
2. To remove dust shield, squeeze both sides of dust shield and remove from depth guide.
3. Push either end of the vacuum hose provided with kit into dust port on dust shield.
4. Push opposite end of vacuum hose into small end of hose adapter.
5. Push shop vacuum hose into large end of hose adapter.

For use with 1-1/4", 1-1/2", 2-1/4" or 2-1/2" diameter vacuum hoses.

#### BELT CLIP

When the hose adapter is attached to the belt, position yourself to avoid entanglement with surrounding objects. Unexpected entanglement could cause the tool to fall resulting in injury to the operator or bystanders. The belt clip will allow you to conveniently attach your vacuum hose to your belt. This feature will allow you to have both hands free

when climbing a ladder or moving to another work area.



## Maintenance

### Service

**⚠ WARNING** Preventive maintenance performed by unauthorized personnel may result in misplacing of internal wires and components which could cause serious hazard. We recommend that all tool service be performed by a Bosch or Rotozip Factory Service Center or Authorized Bosch Service Station. Call 1-877-ROTOZIP (1-877-768-6947) if your tool needs service.

### TOOL LUBRICATION

Your Rotozip tool has been properly lubricated and is ready to use. The lubrication applied at the factory lasts for the life of the tool.

### CARBON BRUSHES

The brushes and commutator in your tool have been engineered for many hours of dependable service. To maintain peak efficiency of the motor, we recommend every two to six months the brushes be examined. Only genuine Rotozip replacement brushes specially designed for your tool should be used.

### BEARINGS

Your Rotozip tool and attachments contain sealed bearings designed to last the life of the

tool. Bearings which become noisy (due to heavy load or very abrasive material cutting) should be inspected at once to avoid overheating or motor failure. Contact your local Bosch or Rotozip Factory Service Center if your bearings become noisy.

### Cleaning

**⚠ WARNING** To avoid accidents always disconnect the tool from the power supply before cleaning or performing any maintenance. The tool may be cleaned most effectively with compressed dry air. **Always wear safety goggles when cleaning tools with compressed air.**

Ventilation openings and switch levers must be kept clean and free of foreign matter. Do not attempt to clean by inserting pointed objects through openings.

**⚠ CAUTION** Certain cleaning agents and solvents damage plastic parts. Some of these are: gasoline, carbon tetrachloride, chlorinated cleaning solvents, ammonia and household detergents that contain ammonia.

## Extension Cords

**⚠ WARNING** If an extension cord is necessary, a cord with adequate size conductors that is capable of carrying the current necessary for your tool must be used. This will prevent excessive voltage drop, loss of power or overheating. Grounded tools must use 3-wire extension cords that have 3-prong plugs and receptacles.

**NOTE:** The smaller the gauge number, the heavier the cord.

### RECOMMENDED SIZES OF EXTENSION CORDS 120 VOLT ALTERNATING CURRENT TOOLS

| Tool's<br>Ampere<br>Rating | Cord Size in A.W.G. |    |     |     | Wire Sizes in mm <sup>2</sup> |      |     |     |
|----------------------------|---------------------|----|-----|-----|-------------------------------|------|-----|-----|
|                            | Cord Length in Feet |    |     |     | Cord Length in Meters         |      |     |     |
|                            | 25                  | 50 | 100 | 150 | 15                            | 30   | 60  | 120 |
| 3-6                        | 18                  | 16 | 16  | 14  | 0.75                          | 0.75 | 1.5 | 2.5 |
| 6-8                        | 18                  | 16 | 14  | 12  | 0.75                          | 1.0  | 2.5 | 4.0 |
| 8-10                       | 18                  | 16 | 14  | 12  | 0.75                          | 1.0  | 2.5 | 4.0 |
| 10-12                      | 16                  | 16 | 14  | 12  | 1.0                           | 2.5  | 4.0 | —   |
| 12-16                      | 14                  | 12 | —   | —   | —                             | —    | —   | —   |

## Accessories & Attachments

Attachments include the following: (Items may be sold separately)

DM5 Dust Management Kit  
CRCT4 Circle Cutting Attachment

Your Spiral Saw® will work with all Rotozip bits, including Zip® Bits and XBITS®.

### Zip® Bits

Rotozip's patented line of versatile Zip® Bits and accessories provide you with the flexibility to quickly move from one material to another and one job to another, without the hassle of changing tools.

Sabrecut™ Multipurpose Zip® Bit (SC)

Standard Point Drywall Zip® Bit (ZB)

Guidepoint™ Drywall Zip® Bit (GP)

Window and Door Zip® Bit (WD)

Wall Tile Zip® Bit (TC)

### XBITS®

X-BITS are designed for serious professionals. They offer superior strength and speed to cut through even the toughest materials in seconds-flat.

Drywall XBITS® (XB-DW, XB-OWD)

Multipurpose XBITS® (XB-MP)

Multipurpose Dust Management XBITS® (XB-MPDM)

Floor Tile XBITS® (XB-FT)

Floor Tile and Countertop XBITS® (XB-FTC)

Wall Tile XBITS® (XB-TC)

Grout Removal XBITS® (XB-GR)

Underlayment XBITS® (XB-UL)

Duracut™ Plaster XBITS® (XB-DC)

Laminate Flooring XBITS® (XB-LF)

Metal XBITS® (XB-MC)

**⚠ WARNING** Hold the tool firmly and avoid "climb cutting" on the edge of the material. Be ready for a potential kickback, where the tool can suddenly get out of control.

**ACCESSORY GUIDE | GUÍA DE ACCESORIOS | GUIDE DES ACCESSOIRES**



Acoustic Tile  
 Acrylic  
 Aluminum Siding  
 Cement Board  
 Ceramic Board  
 Drywall  
 Fiber Backerboard  
 Fiberglass  
 Fiberglass  
 Floor on Wall Grout  
 Foam Board  
 Granite  
 Hardwood  
 Laminates  
 Lath  
 Marble  
 Metal  
 O.S.B.  
 Plaster  
 Plastics  
 Plywood  
 Porcelain & Ceramic Floor Tile  
 Solid Surf Face Material  
 Stucco  
 Vinyl Siding  
 Wood  
 Wood Composites

| <b>XBITS</b>       |       | SHANK SIZE | Acoustic Tile | Acrylic | Aluminum Siding | Cement Board | Ceramic Board | Drywall | Fiber Backerboard | Fiberglass | Fiberglass | Floor on Wall Grout | Foam Board | Granite | Hardwood | Laminates | Lath | Marble | Metal | O.S.B. | Plaster | Plastics | Plywood | Porcelain & Ceramic Floor Tile | Solid Surf Face Material | Stucco | Vinyl Siding | Wood | Wood Composites |   |
|--------------------|-------|------------|---------------|---------|-----------------|--------------|---------------|---------|-------------------|------------|------------|---------------------|------------|---------|----------|-----------|------|--------|-------|--------|---------|----------|---------|--------------------------------|--------------------------|--------|--------------|------|-----------------|---|
| <b>XB-DW</b>       | 5/32" | •          |               |         |                 | •            |               |         |                   |            |            | •                   |            |         |          |           |      |        |       |        |         |          |         |                                |                          |        |              |      |                 |   |
| <b>XB-DWD</b>      | 1/4"  | •          |               |         |                 | •            |               |         |                   |            |            | •                   |            |         |          |           |      |        |       |        |         |          |         |                                |                          |        |              |      |                 |   |
| <b>XB-MP</b>       | 5/32" | •          | •             | •       | •               | •            | •             | •       | •                 | •          | •          | •                   | •          | •       | •        | •         | •    | •      | •     | •      | •       | •        | •       | •                              | •                        | •      | •            | •    | •               | • |
| <b>XB-MPDM</b>     | 5/32" | •          | •             | •       | •               | •            | •             | •       | •                 | •          | •          | •                   | •          | •       | •        | •         | •    | •      | •     | •      | •       | •        | •       | •                              | •                        | •      | •            | •    | •               | • |
| <b>XB-FT/FTC</b>   | 1/4"  |            |               | •       | •               |              |               |         |                   |            |            | •                   |            |         |          | •         |      |        |       |        |         |          | •       |                                |                          |        |              |      |                 |   |
| <b>XB-TC</b>       | 5/32" |            |               | •       | •               |              |               |         |                   |            |            |                     |            |         | •        | •         |      |        | •     |        |         |          |         | •                              |                          |        |              |      |                 |   |
| <b>XB-GR125</b>    | 1/4"  |            |               |         |                 |              |               |         |                   | •          |            |                     |            |         |          |           |      |        |       |        |         |          |         |                                |                          |        |              |      |                 |   |
| <b>XB-GR250</b>    | 1/4"  |            |               |         |                 |              |               |         |                   | •          |            |                     |            |         |          |           |      |        |       |        |         |          |         |                                |                          |        |              |      |                 |   |
| <b>XB-DC</b>       | 1/4"  |            |               | •       |                 |              |               |         |                   |            |            |                     |            |         | •        |           |      |        | •     |        |         |          |         | •                              |                          |        |              |      |                 |   |
| <b>XB-UL</b>       | 5/32" |            |               | •       |                 |              |               | •       |                   | •          |            |                     |            |         |          |           |      |        |       |        |         |          |         |                                |                          |        |              |      |                 |   |
| <b>XB-MC</b>       | 5/32" |            |               |         |                 |              |               |         |                   |            |            |                     |            |         |          |           |      | •      |       |        |         |          |         |                                |                          |        |              |      |                 |   |
| <b>XB-LF</b>       | 5/32" |            |               |         |                 |              |               |         |                   |            |            |                     |            |         | •        |           |      |        |       |        |         |          |         |                                |                          |        |              |      |                 |   |
| <b>ZIP® BITS</b>   |       |            |               |         |                 |              |               |         |                   |            |            |                     |            |         |          |           |      |        |       |        |         |          |         |                                |                          |        |              |      |                 |   |
| <b>GP</b>          | 1/8"  | •          |               |         |                 | •            |               |         |                   |            |            | •                   |            |         |          |           |      |        |       |        |         |          |         |                                |                          |        |              |      |                 |   |
| <b>WD</b>          | 1/4"  |            |               |         |                 | •            |               |         |                   |            |            | •                   |            |         |          |           |      |        |       |        |         |          |         |                                |                          |        |              |      |                 |   |
| <b>ZB</b>          | 1/8"  | •          |               |         |                 | •            |               |         |                   |            |            | •                   |            |         |          |           |      |        |       |        |         |          |         |                                |                          |        |              |      |                 |   |
| <b>SC</b>          | 1/8"  | •          | •             | •       | •               | •            | •             | •       | •                 | •          | •          | •                   | •          | •       | •        | •         | •    | •      | •     | •      | •       | •        | •       | •                              | •                        | •      | •            | •    | •               | • |
| <b>TC</b>          | 1/8"  |            |               | •       | •               |              |               |         |                   |            |            |                     |            |         | •        | •         |      |        | •     |        |         |          |         | •                              |                          |        |              |      |                 |   |
| <b>XCORES</b>      |       |            |               |         |                 |              |               |         |                   |            |            |                     |            |         |          |           |      |        |       |        |         |          |         |                                |                          |        |              |      |                 |   |
| <b>XC-T</b>        | 1/4"  |            |               |         | •               |              |               |         |                   |            |            | •                   |            |         | •        |           |      |        |       |        |         |          | •       |                                |                          |        |              |      |                 |   |
| <b>XWHEELS</b>     |       |            |               |         |                 |              |               |         |                   |            |            |                     |            |         |          |           |      |        |       |        |         |          |         |                                |                          |        |              |      |                 |   |
| <b>XW-WD</b>       |       |            |               |         |                 |              |               |         |                   |            |            |                     |            |         | •        | •         |      |        | •     |        |         |          | •       |                                |                          |        |              |      |                 | • |
| <b>XW-TILE</b>     |       |            |               |         | •               |              |               |         |                   |            |            | •                   |            |         |          | •         |      |        |       |        |         |          | •       |                                |                          |        |              |      |                 |   |
| <b>XW-MET</b>      |       |            |               |         |                 |              |               |         |                   |            |            |                     |            |         |          |           |      | •      |       |        |         |          |         |                                |                          |        |              |      |                 |   |
| <b>ZIP® WHEELS</b> |       |            |               |         |                 |              |               |         |                   |            |            |                     |            |         |          |           |      |        |       |        |         |          |         |                                |                          |        |              |      |                 |   |
| <b>RZDIA</b>       |       |            |               |         |                 | •            |               |         |                   |            |            | •                   |            |         |          | •         |      |        |       |        |         |          | •       |                                |                          |        |              |      |                 |   |
| <b>RZMAS</b>       |       |            | •             |         | •               |              |               | •       |                   |            |            |                     |            |         |          |           |      |        |       |        |         |          |         |                                |                          |        |              |      |                 |   |
| <b>RZMET</b>       |       |            | •             |         |                 |              |               |         |                   |            |            |                     |            |         |          |           |      | •      |       |        |         |          |         |                                |                          |        |              |      |                 |   |

## Avertissements généraux concernant la sécurité des outils électroportatifs

**⚠ AVERTISSEMENT** Veuillez lire tous les avertissements et toutes les consignes de sécurité. Si l'on n'observe pas ces avertissements et ces consignes de sécurité, il existe un risque de choc électrique, d'incendie et/ou de blessures corporelles graves.

### CONSERVEZ TOUS LES AVERTISSEMENTS ET TOUTES LES CONSIGNES DE SÉCURITÉ POUR RÉFÉRENCE FUTURE.

Dans les avertissements, le terme « outil électroportatif » se rapporte à votre outil branché sur le secteur (avec fil) ou à votre outil alimenté par piles (sans fil).

#### Sécurité du lieu de travail

**Maintenez le lieu de travail propre et bien éclairé.** Les risques d'accident sont plus élevés quand on travaille dans un endroit encombré ou sombre.

**N'utilisez pas d'outils électroportatifs dans des atmosphères explosives, comme par exemple en présence de gaz, de poussières ou de liquides inflammables.** Les outils électroportatifs produisent des étincelles qui risquent d'enflammer les poussières ou les vapeurs.

**Éloignez les enfants et les visiteurs quand vous servez d'un outil électroportatif.** Vous risquez une perte de contrôle si on vous distrait.

#### Sécurité électrique

**Les fiches des outils électroportatifs doivent correspondre à la prise. Il ne faut absolument jamais modifier la fiche. N'utilisez pas d'adaptateur de prise avec des outils électroportatifs munis d'une fiche de terre.** Le risque de choc électrique est moindre si on utilise une fiche non modifiée sur une prise qui lui correspond.

**Évitez tout contact du corps avec des surfaces reliées à la terre tels que tuyaux, radiateurs, gazinières ou réfrigérateurs.** Le risque de choc électrique augmente si votre corps est relié à la terre.

**N'exposez pas les outils électroportatifs à la pluie ou à l'humidité.** Si de l'eau pénètre dans un outil électroportatif, le risque de choc électrique augmente.

**Ne maltraitez pas le cordon. Ne vous en servez jamais pour transporter l'outil électroportatif, pour le tirer ou pour le débrancher. Éloignez le cordon de la chaleur, des huiles, des arêtes coupantes ou des pièces mobiles.** Les cordons abîmés ou emmêlés augmentent les risques de choc électrique.

**Si vous utilisez un outil électroportatif à l'extérieur, employez une rallonge conçue pour l'extérieur.** Ces rallonges sont faites pour l'extérieur et réduisent le risque de choc électrique.

**S'il est absolument nécessaire d'utiliser l'outil électroportatif dans un endroit humide, utilisez une alimentation protégée par un disjoncteur de fuite de terre (GFCI).** L'utilisation d'un disjoncteur GFCI réduit les risques de choc électrique.

#### Sécurité personnelle

**Restez concentré, faites attention à ce que vous faites, et servez-vous de votre bon sens lorsque vous utilisez un outil électroportatif. N'employez pas d'outils électroportatifs quand vous êtes fatigué ou sous l'emprise de drogues, d'alcool ou de médicaments.** Quand on utilise des outils électroportatifs, il suffit d'un moment d'inattention pour causer des blessures corporelles graves.

**Utilisez des équipements de sécurité personnelle. Portez toujours une protection oculaire.** Le port d'équipements de sécurité tels que des masques antipoussières, des chaussures de sécurité antidérapantes, des casques de chantier et des protecteurs d'oreilles dans des conditions appropriées réduira le risque de blessure corporelle.

**Évitez les démarrages intempestifs. Assurez-vous que l'interrupteur est dans la position arrêt (Off) avant de brancher l'outil dans une prise de courant et/ou un bloc-piles, de le ramasser ou de le transporter.** Le transport d'un outil électroportatif avec le doigt sur la gâchette ou le branchement de cet outil quand l'interrupteur est en position de marche (ON) est une invite aux accidents.

**Enlevez toutes les clés de réglage avant de mettre l'outil électroportatif en marche.** Si on laisse une clé sur une pièce tournante de l'outil électroportatif, il y a risque de blessure corporelle.

**Ne vous penchez pas. Conservez toujours une bonne assise et un bon équilibre.** Ceci vous permettra de mieux maîtriser l'outil électroportatif dans des situations inattendues.

**Habillez-vous de manière appropriée. Ne portez pas de vêtements amples ou de bijoux. Attachez les cheveux longs. N'approchez pas les cheveux, les vêtements ou les gants des pièces en mouvement.** Les vêtements amples, les bijoux ou les cheveux longs risquent d'être happés par les pièces en mouvement.

**Si l'outil est muni de dispositifs permettant le raccordement d'un système d'aspiration et de collecte des poussières, assurez-vous que ces dispositifs sont raccordés et utilisés correctement.** L'utilisation d'un dépoussiéreur peut réduire les dangers associés à l'accumulation de poussière.



## Utilisation et entretien des outils électroportatifs

**Ne forcez pas sur l'outil électroportatif. Utilisez l'outil électroportatif qui convient à la tâche à effectuer.** L'outil qui convient à la tâche fait un meilleur travail et est plus sûr à la vitesse pour lequel il a été conçu.

**Ne vous servez pas de l'outil électroportatif si son interrupteur ne parvient pas à le mettre en marche ou à l'arrêter.** Tout outil électroportatif qui ne peut pas être commandé par son interrupteur est dangereux et doit être réparé.

**Débranchez la fiche de la prise ou enlevez le bloc-pile de l'outil électroportatif avant tout réglage, changement d'accessoires ou avant de ranger l'outil électroportatif.** De telles mesures de sécurité préventive réduisent le risque de démarrage intempestif de l'outil électroportatif.

**Rangez les outils électroportatifs dont vous ne servez pas hors de portée des enfants et ne permettez pas à des personnes qui ne connaissent pas l'outil électroportatif ou qui ignorent ces consignes de s'en servir.** Les outils électroportatifs sont dangereux dans les mains d'utilisateurs inexpérimentés.

**Entretenez les outils électroportatifs. Vérifiez que les pièces mobiles sont alignées correctement et ne coincent pas. Vérifiez qu'il n'y a pas de pièces cassées ou d'autre circonstance qui risquent d'affecter le fonctionnement de l'outil électroportatif. Si l'outil est abîmé, faites-le réparer avant de l'utiliser.** De nombreux accidents sont causés par des outils électroportatifs mal entretenus.

**Maintenez les outils coupants affûtés et propres.** Les outils coupants entretenus correctement et dotés de bords tranchants affûtés sont moins susceptibles de coincer et sont plus faciles à maîtriser.

**Utilisez l'outil électroportatif, les accessoires et les embouts d'outil, etc. conformément à ces instructions, en tenant compte des conditions de travail et des travaux à réaliser.** L'emploi d'outils électroportatifs pour des tâches différentes de celles pour lesquelles ils ont été prévus peut résulter en une situation dangereuse.

### Entretien

**Faites réparer votre outil électroportatif par un agent de service qualifié n'utilisant que des pièces de rechange identiques.** Ceci assure que la sécurité de l'outil électroportatif est préservée.

## Consignes de sécurité pour Spiral Saw™

**Tenez l'outil électroportatif par ses surfaces de préhension isolées parce que l'accessoire de coupe risque d'entrer en contact avec un fil caché.** Tout contact de l'accessoire de coupe avec un fil sous tension risque de mettre aussi sous tension les parties métalliques exposées de l'outil électroportatif, ce qui pourrait causer un choc électrique pour l'opérateur.

**Utilisez des brides ou d'autres moyens pratiques de brider ou de supporter la pièce sur une plate-forme stable.** Tenir la pièce à la main ou contre le corps la rend instable et risque de résulter en une perte de contrôle.

**Assurez-vous toujours que la surface de travail est exempte de clous et autres objets étrangers.** La coupe dans un clou peut faire sauter l'embout et l'outil, et ainsi abîmer l'embout.

**Ne tenez jamais le matériau d'une main et l'outil de l'autre lorsque vous en faites usage. Ne placez jamais les mains sous la surface de coupe ou à proximité de celle-ci.** Il est plus sûr de cramponner le matériau et de guider l'outil des deux mains.

**Ne posez jamais le matériau sur des surfaces dures telles que le béton, la pierre, etc.** L'embout de coupe en saillie peut faire sauter l'outil.

**Portez toujours des lunettes de sécurité et un masque anti-poussières.** N'utilisez l'outil qu'à un endroit bien

aéré. L'utilisation de dispositifs de sécurité personnelle et le travail dans un environnement sûr réduisent les risques de blessures.

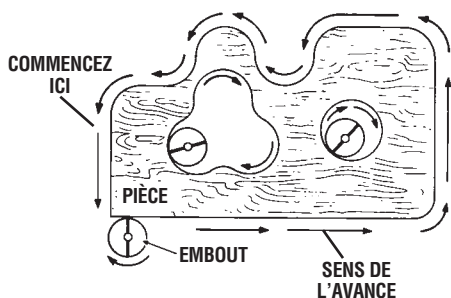
**Après avoir changé les embouts ou effectué quelque réglage que ce soit, assurez-vous que l'écrou de la douille et tout autre dispositif de réglage sont bien serrés.** Un dispositif de réglage lâche peut bouger soudainement et causer ainsi une perte de contrôle avec projection violente des composants en rotation.

**Ne mettez jamais l'outil en marche alors que l'embout est enfoncée dans le matériau.** Le tranchant de l'embout peut se coincer dans le matériau et vous faire perdre le contrôle du couteau.

**Tenez toujours l'outil des deux mains durant la mise en marche.** Le couple de réaction du moteur peut faire tordre l'outil.

**Lors du toupillage ou du découpage, le sens de déplacement du tranchant de l'embout qui pénètre dans le matériau est important. Il faut toujours pousser l'embout dans le matériau dans le même sens que celui du bord tranchant qui quitte le matériau.** Avec l'outil vu du dessus, l'embout tourne en sens horaire. Si l'outil se trouve entre vous et la pièce, poussez-le vers la droite. Si par contre la pièce se trouve entre vous et l'outil, poussez alors ce dernier vers la gauche. Si vous poussez l'outil dans le mauvais

sens, le bord tranchant de l'embout risque de grimper hors de la pièce et de tirer l'outil dans la direction de l'avance.



**N'utilisez jamais d'embouts émoussés ou abîmés. Les embouts affilés doivent être maniés soigneusement.** Les embouts abîmés peuvent se rompre brusquement durant l'usage. Les embouts émoussés nécessitent plus de force pour pousser l'outil, causant éventuellement un bris de l'embout.

**Ne touchez jamais l'embout durant ou immédiatement après l'usage.** Après usage, l'embout est trop chaud pour être touché à main nue.

**Ne posez jamais l'outil avant que le moteur ne se soit arrêté complètement.** L'embout en rotation peut saisir la surface et vous faire perdre le contrôle de l'outil.

**N'utilisez jamais des embouts dont le diamètre de coupe est supérieur à celui de l'ouverture pratiquée dans la base.**

**N'utilisez pas l'outil pour percer.** Cet outil n'est pas destiné à être utilisé avec des mèches de perceuse.

**Utilisez toujours l'outil avec le guide de profondeur fixé solidement et placé à plat contre le matériau à couper.** Le guide positionné solidement sur le matériau améliore la stabilité et le contrôle de votre outil.

**Lorsque vous connectez un outil à des systèmes de dépoussiérage et d'extraction de la poussière, assurez-vous que ces derniers sont connectés et utilisés conformément aux instructions de l'outil et de l'aspirateur.** Une utilisation appropriée d'un système de dépoussiérage peut réduire les dangers associés à la poussière.

**Lorsque vous utilisez un outil avec des systèmes de dépoussiérage et d'extraction de la poussière, videz le réservoir à poussière avant de commencer à travailler, fréquemment pendant le travail, après l'achèvement du travail et avant de ranger l'outil.** Faites très attention quand vous éliminez ou jetez de la poussière, car certaines substances sous forme de particules fines peuvent être explosives.

**Ne jetez pas de poussière sur un feu nu.** Des particules de poussières fines pourraient brûler et causer des explosions.

**Lorsque vous effectuez des opérations de ponçage et de préparation de surfaces avec un outil raccordé à un système de dépoussiérage et d'extraction de la poussière, identifiez les matériaux qui produisent de la poussière.** Il existe un risque de combustion de mélanges de vernis, laques, polyuréthane, huile ou eau avec des particules de poussière en cas de décharges d'électricité statique, d'étincelles ou de chaleur excessive pouvant causer un feu dans le système de dépoussiérage et d'extraction de la poussière.

**N'utilisez pas de système d'extraction de la poussière pour des opérations pouvant contenir des substances en train de brûler ou de fumer, comme des cendres chaudes ou des étincelles.** Ceci pourrait causer un incendie à l'intérieur du réservoir ou du sac à poussière de l'aspirateur. Des substances inflammables risqueraient de chauffer excessivement à l'intérieur et de mettre le feu à l'aspirateur longtemps après que vous aurez fini de vous en servir.

**N'utilisez pas de dispositifs d'extraction de poussière avec des poussières explosives, des vernis, des enduits en polyuréthane, des produits de nettoyage ou de la peinture à l'huile.** Les moteurs électriques produisent des étincelles qui pourraient causer l'inflammation de la poussière ou des fumées.

**N'utilisez pas de dispositifs d'extraction de poussière lorsque vous travaillez sur du métal.** Des copeaux provenant d'opérations de ponçage, de rectification ou de coupe de métaux peuvent être très chauds et produire des étincelles pouvant faire fondre des adaptateurs en plastique ou des tuyaux d'aspiration flexibles et entraîner un incendie à l'intérieur du réservoir ou du sac à poussière de l'aspirateur.

## Avertissements supplémentaires concernant la sécurité

L'emploi d'un GFCI et de dispositifs de protection personnelle tels que gants et chaussures d'électricien en caoutchouc améliorent votre sécurité personnelle.

**N'utilisez pas un outil conçu uniquement pour le C.A. sur une alimentation en C.C.** Même si l'outil semble fonctionner, les composants électriques d'un outil prévu pour le C.A. tomberont probablement en panne et risquent de créer un danger pour l'utilisateur.

**Maintenez les poignées sèches et exemptes d'huile et de graisse.** On ne peut pas maîtriser un outil électroportatif en toute sécurité quand on a les mains glissantes.

**Utilisez des brides ou d'autres moyens pratiques de brider ou de supporter la pièce sur une plate-forme stable.** Tenir la pièce à la main ou contre le corps est instable et risque de résulter en une perte de contrôle.

**Créez un agenda d'entretien périodique pour votre outil. Quand vous nettoyez un outil, faites attention de n'en démonter aucune pièce car il est toujours possible de mal remonter ou de pincer les fils internes ou de remonter incorrectement les ressorts de rappel des capots de protection.** Certains agents de nettoyage tels que l'essence, le tétrachlorure de carbone, l'ammoniaque, etc. risquent d'abîmer les plastiques.

Risque de blessure pour l'utilisateur. Le cordon d'alimentation électrique ne doit être réparé que par un Centre de service usine de Rotozip ou par une Station service agréée de Rotozip.




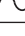

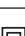







**AVERTISSEMENT** Les travaux à la machine tel que ponçage, sciage, meulage, perçage et autres travaux du bâtiment peuvent créer des poussières contenant des produits chimiques qui sont des causes reconnues de cancer, de malformation congénitale ou d'autres problèmes reproductifs. Ces produits chimiques sont, par exemple :

- Le plomb provenant des peintures à base de plomb,
- Les cristaux de silices provenant des briques et du ciment et d'autres produits de maçonnerie, et
- L'arsenic et le chrome provenant des bois traités chimiquement.

Le niveau de risque dû à cette exposition varie avec la fréquence de ces types de travaux. Pour réduire l'exposition à ces produits chimiques, il faut travailler dans un lieu bien ventilé et porter un équipement de sécurité approprié tel que certains masques à poussière conçus spécialement pour filtrer les particules microscopiques.

## Symboles

**IMPORTANT** : Certains des symboles suivants peuvent être utilisés sur votre outil. Veuillez les étudier et apprendre leur signification. Une interprétation appropriée de ces symboles vous permettra d'utiliser l'outil de façon plus efficace et plus sûre.

| Symbole   | Nom   | Désignation/Explication  |
|---|---|--|
| V   | Volts   | Tension (potentielle)  |
| A   | Ampères   | Courant  |
| Hz  | Hertz   | Fréquence (cycles par seconde)   |
| W   | Watt  | Puissance  |
| kg  | Kilogrammes   | Poids  |
| min   | Minutes   | Temps  |
| s   | Secondes  | Temps  |
|    | Diamètre  | Taille des mèches de perceuse, meules, etc.  |
| $n_0$   | Vitesse à vide                                      | Vitesse de rotation, à vide  |
| n   | Vitesse nominale                                    | Vitesse maximum pouvant être atteinte  |
| .../min   | Tours ou mouvement alternatif par minute            | Tours, coups, vitesse en surface, orbites, etc., par minute  |
| 0   | Position d'arrêt                                    | Vitesse zéro, couple zéro ...  |
| 1, 2, 3, ...<br>I, II, III, ...   | Réglages du sélecteur                               | Réglages de vitesse, de couple ou de position. Un nombre plus élevé signifie une vitesse plus grande |
|    | Sélecteur variable à l'infini avec arrêt            | La vitesse augmente depuis le réglage 0  |
|    | Flèche  | Action dans la direction de la flèche  |
|    | Courant alternatif                                  | Type ou caractéristique du courant   |
|   | Courant continu                                     | Type ou caractéristique du courant   |
|  | Courant alternatif ou continu                       | Type ou caractéristique du courant   |
|  | Construction classe II                              | Désigne des outils construits avec double isolation  |
|  | Borne de terre                                      | Borne de mise à la terre   |
|  | Symbole d'avertissement                             | Alerte l'utilisateur aux messages d'avertissement.   |
|  | Sceau Li-ion RBRC                                   | Désigne le programme de recyclage des piles Li-ion.  |
|  | Sceau Ni-Cad RBRC                                   | Désigne le programme de recyclage des piles Ni-Cad.  |
|  | Symbole de lecture du mode d'emploi d'emploi        | Alerte l'utilisateur pour lire le mode   |
|  | Symbole de port de lunettes de sécurité de sécurité | Alerte l'utilisateur pour porter des lunettes  |

## Symboles (suite)

**IMPORTANT** : Certains des symboles suivants peuvent être utilisés sur votre outil. Veuillez les étudier et apprendre leur signification. Une interprétation appropriée de ces symboles vous permettra d'utiliser l'outil de façon plus efficace et plus sûre.



Ce symbole signifie que cet outil est approuvé par Underwriters Laboratories.



Ce symbole indique que cet outil est reconnu par Underwriters Laboratories.



Ce symbole signifie que cet outil est approuvé par Underwriters Laboratories selon les normes des États-Unis et du Canada.



Ce symbole signifie que cet outil est approuvé par l'Association canadienne de normalisation.



Ce symbole signifie que cet outil est approuvé par l'Association canadienne de normalisation selon les normes des États-Unis et du Canada.



Ce symbole signifie que cet outil est approuvé par Intertek Testing Services selon les normes des États-Unis et du Canada.

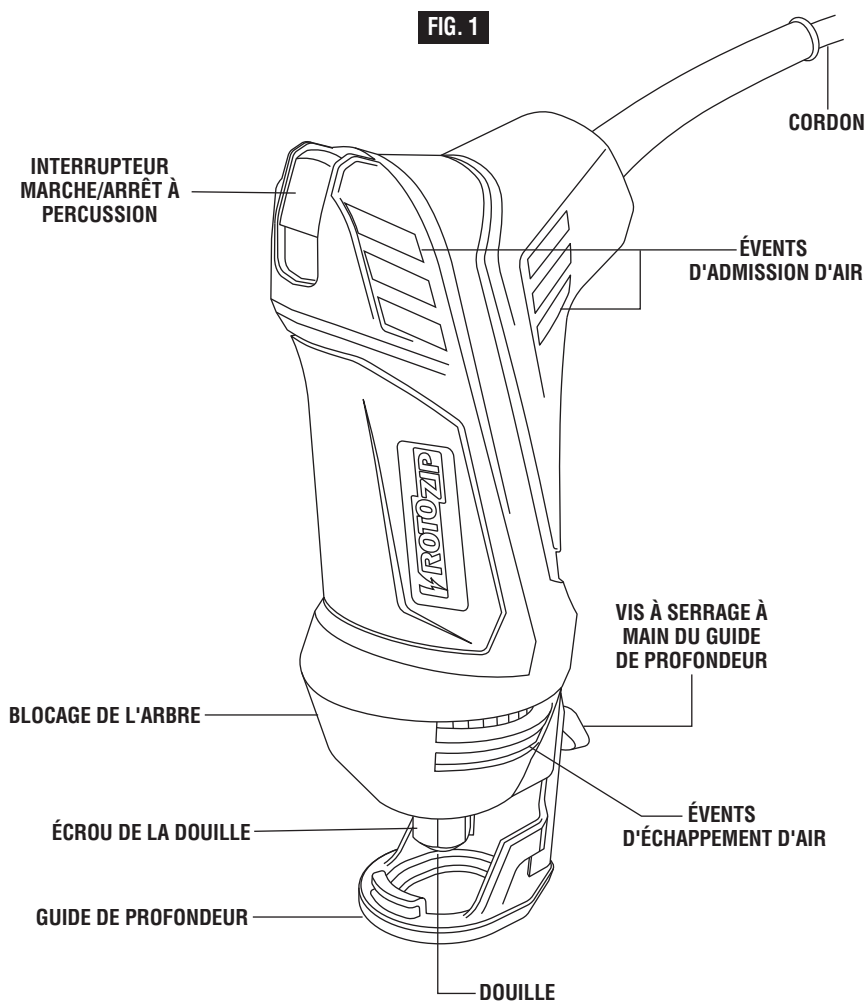


Ce symbole signifie que cet outil se conforme aux normes mexicaines NOM.

## Description fonctionnelle et spécifications

**⚠ AVERTISSEMENT** Débranchez la fiche de la prise de courant avant d'effectuer quelque assemblage ou réglage que ce soit ou de changer les accessoires. Ces mesures de sécurité préventive réduisent le risque d'une mise en marche accidentelle de l'outil.

### Spiral Saw™



La vitesse nominale de l'accessoire doit être au moins égale à la vitesse maximum indiquée sur l'outil électroportatif. Les accessoires que l'on fait tourner à une vitesse supérieure à leur VITESSE NOMINALE peuvent se casser et voler en éclats.

**REMARQUE** : Pour spécifications de l'outil, reportez-vous à la plaque signalétique de votre outil.

## Assemblage

**⚠ AVERTISSEMENT** **Débranchez la fiche de la prise de courant avant d'effectuer quelque assemblage ou réglage que ce soit ou de changer les accessoires.** Ces mesures de sécurité préventive réduisent le risque d'une mise en marche accidentelle de l'outil. Assurez-vous que l'écrou de douille est serré solidement avant de mettre l'outil en marche.

### RETRAIT, INSTALLATION ET RÉGLAGE DU GUIDE DE PROFONDEUR

Pour retirer le guide de profondeur de l'outil, tournez la vis à serrage à main dans le sens antihoraire jusqu'à ce que vous puissiez le retirer de l'outil. Le guide de profondeur devrait alors sortir librement de l'outil.

Pour rattacher le guide de profondeur, alignez la fente dans le guide de profondeur avec le trou fileté dans le logement en métal et réinstallez la vis à serrage à main en la tournant dans le sens horaire jusqu'à ce qu'elle soit serrée à fond. Faites attention de ne pas déformer le filetage de la vis à serrage à main.

Le guide de profondeur vous permet de contrôler la profondeur de la coupe. Desserrez la vis à serrage à main en la tournant dans le sens antihoraire jusqu'à ce que le guide de profondeur puisse glisser librement sur le logement en métal. Dans le cas des embouts ayant une pointe de guidage (embouts XBITS™ pour cloisons sèches, embouts Guidepoint® et Window & Door Zip®), assurez-vous que l'ensemble de la pointe de guidage dépasse l'épaisseur du matériau de 1/8 po (Fig. 2). Dans le cas des embouts Zip® pour cloisons sèches à pointe standard, assurez-vous que l'extrémité cannelée de l'embout dépasse l'épaisseur du matériau de 1/8 po.

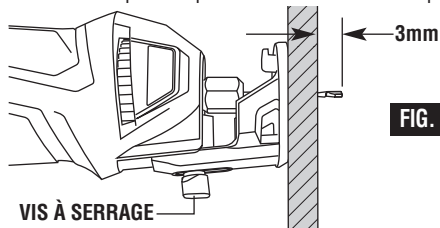


FIG. 2

### CHANGEMENT DE LA DOUILLE

**⚠ AVERTISSEMENT** **Les cannelures des embouts sont très affûtées et doivent être manipulées avec précaution.**

La douille de 1/8 po est utilisée avec des embouts de 1/8 po de diamètre, la douille de 1/4 po est utilisée avec des embouts de 1/4 po de diamètre et la douille de 5/32 po est utilisée avec des embouts de 5/32 po de diamètre.

Pour changer la douille, desserrez l'écrou de la douille au moyen de la clé jointe et retirez l'embout. Continuez à desserrer et à dévisser l'écrou de la douille jusqu'à ce que vous puissiez le retirer de l'outil. Retirez la douille et remplacez-la par l'autre douille (Fig. 3).

(Chaque douille a une double extrémité, et n'importe laquelle de ces extrémités peut être utilisée.) Serrez à

nouveau à la main l'écrou de la douille autour de la douille dans le sens horaire. Vous êtes maintenant prêt à insérer un nouvel embout conformément aux instructions de la rubrique consacrée à l'installation des embouts (Fig. 4).

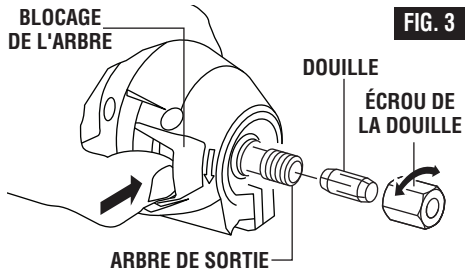


FIG. 3

### INSTALLATION DES EMBOUTS

Les embouts sont maintenus en place par un système de douille. Utilisez la douille de 1/8 po, de 1/4 po ou de 5/32 po en fonction de la tige de l'embout.

Appuyez sur le mécanisme de blocage de l'arbre et maintenez-le enfoncé, puis tournez l'écrou de la douille et l'arbre jusqu'à ce que le mécanisme de blocage de l'arbre s'enclenche et maintienne l'arbre en place.

Utilisez la clé jointe pour desserrer l'écrou en le tournant dans le sens antihoraire (Fig. 4). Retirez l'ancien embout (s'il y en a un) et insérez le nouvel embout aussi profondément que possible. Réenclenchez le mécanisme de blocage de l'arbre et serrez l'écrou en le tournant dans le sens horaire, d'abord à la main, puis avec la clé, jusqu'à ce que l'embout soit solidement maintenu en place.

**⚠ MISE EN GARDE** **Pour éviter que l'outil ne soit endommagé, ne l'empêchez jamais de pivoter en vous servant du blocage d'arbre comme d'un dispositif de freinage.**

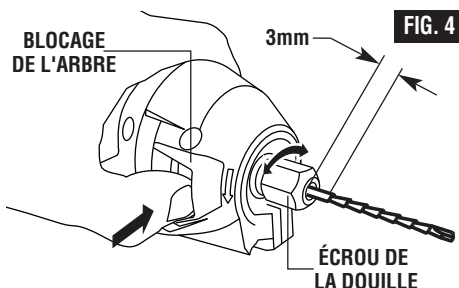


FIG. 4

## Consignes de fonctionnement

### INTERRUPTEUR MARCHE/ARRÊT À PERCUSSION

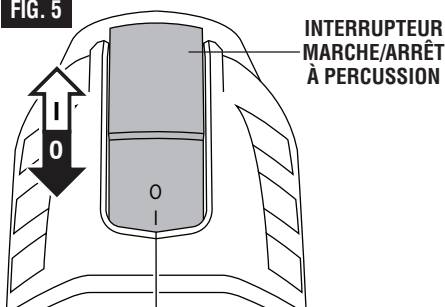
Cet outil est mis en marche au moyen de l'interrupteur à percussion situé à l'arrière du bâti du moteur (Fig. 5).

**POUR METTRE L'OUTIL EN MARCHÉ**, faites glisser l'interrupteur vers le haut, c. à d. dans la position « 1 ».

**POUR ARRÊTER L'OUTIL**, faites glisser l'interrupteur vers le bas, c. à d. dans la position « 0 ».

**⚠ AVERTISSEMENT** Tenez l'outil des deux mains durant la mise en marche étant donné que le couple du moteur peut faire tordre l'outil.

FIG. 5



### EXECUTER DES COUPES D'ESSAI

Après avoir installé l'embout dans l'appareil et ajusté le guide de profondeur, exécuter quelques coupes d'essai avant d'amorcer de vrais travaux.

Ces quelques exercices vous donneront l'expérience requise pour réaliser des coupes nettes d'aspect professionnel.

**Étape 1** : Avant d'allumer l'appareil, s'assurer que l'écrou de mors est serré solidement.

**Étape 2** : Tenir solidement l'appareil et le mettre EN MARCHÉ au régime désiré.

**Étape 3** : Tenir solidement l'appareil et entamer la matériau avec l'embout à un angle de 45° (Fig. 6).

**Étape 4** : Redresser doucement l'outil pour amorcer la coupe (Fig. 7). Le guide de coupe doit se trouver à ras avec la surface du matériau. Pour tous les matériaux (SAUF pour tailler dans de la plaque de plâtre autour d'une boîte de raccordement), diriger l'outil dans le sens des aiguilles d'une horloge en exerçant une pression lente et uniforme.

**Étape 5** : Après avoir exécuté la coupe, éteindre l'appareil et le dégager doucement du matériau.

Ne pas employer cet appareil pour réaliser des découpages autour d'appareils ou d'ouvertures comportant des fils électriques sous tension ou dans des parois derrière lesquelles de tels fils pourraient se trouver, car l'embout assurerait la conduction du courant vers l'appareil et mettrait l'utilisateur à risque de subir un choc électrique. Couper le courant alimentant ces fils à l'aide des fusibles ou des disjoncteurs. Toujours tenir l'appareil par son boîtier thermoplastique et toujours porter une protection des yeux pour employer une scie mécanique à spirale.

**REMARQUE** : En raison de la rotation de l'embout, l'utilisateur ressentira une légère traction en taillant. Plus l'utilisateur exécute la coupe lentement, plus il pourra exercer de maîtrise. Une pression trop grande ou une exécution trop rapide causera un excès de chaleur qui pourrait réduire la longévité de l'embout.

**REMARQUE** : Lors de l'exécution de coupes dans une surface verticale, éviter de terminer l'opération au bas de l'ouverture. Dans la mesure du possible, débiter et terminer la coupe en haut afin d'éviter que la retaille ne chute sur l'embout en rotation. Éteindre ensuite l'appareil et le dégager du matériau.

FIG. 6

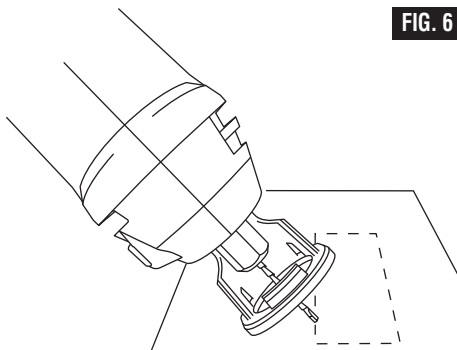
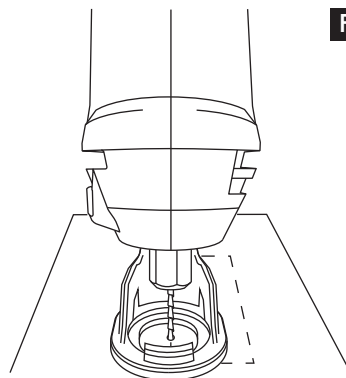


FIG. 7





## INSTRUCTIONS POUR DÉCOUPER DES CLOISONS SÈCHES AFIN DE CRÉER DES OUVERTURES POUR DES PRISES DE COURANT, DES BOÎTIERS ÉLECTRIQUES, DES FENÊTRES ET DES PORTES

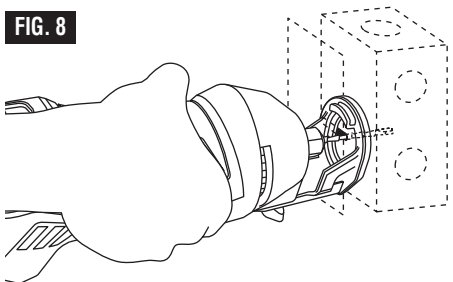
Après avoir monté l'embout sur l'outil comme cela a été décrit plus haut, il sera nécessaire de lire les instructions fournies ci-dessous et de faire quelques coupes de pratique avec cet outil avant d'effectuer des travaux réels. La meilleure méthode consiste à prendre quelques morceaux de bois mis au rebut et de les clouer ou visser en place sur des montants de mur qui ont un boîtier électrique ou un autre objet en place. Quelques exercices de ce genre vous donneront la pratique nécessaire pour faire des coupes nettes, d'aspect professionnel, autour de ce qui existe derrière la cloison sèche que vous êtes en train d'installer.

**⚠ AVERTISSEMENT** Ne tentez pas d'utiliser cet outil pour effectuer des découpages autour de tout appareil ou ouverture qui possède des fils électriques sous tension, ou sur tout mur derrière lequel se trouvent des fils électriques sous tension, car l'embout pourrait conduire le courant à l'outil, créant ainsi un danger d'électrocution pour l'opérateur. Mettez les disjoncteurs à l'arrêt ou retirez les fusibles pour sectionner le circuit. Tenez toujours l'outil par son boîtier thermoplastique, et portez toujours des lunettes de protection en utilisant ce dispositif.

**Étape 1 :** assurez-vous que le boîtier ou tout autre objet concerné est monté solidement et que tous les fils et autres obstructions possibles autour de l'ouverture sont repoussés à un endroit où ils ne vous gêneront pas. Comme l'embout utilise le bord extérieur du boîtier et de l'autre objet éventuel comme guide, il est important qu'il n'y ait rien qui fasse obstacle et vous empêche de guider l'outil complètement autour de l'ouverture. Aux fins de ce mode d'emploi, la procédure discutée consistera à découper une partie de la cloison autour d'un boîtier électrique standard de 2 1/8 po x 3 3/4 po.

**Étape 2 :** faites glisser l'interrupteur pour mettre l'outil en marche. Tout en tenant fermement la l'outil avec les deux mains, insérez l'embout à travers la marque que vous avez faite. Puis guidez l'embout vers la droite jusqu'à ce que vous sentiez et entendiez l'entrée en contact de l'embout avec le bord intérieur du boîtier (Fig. 8).

FIG. 8



**Étape 3 :** tirez sur l'embout afin qu'elle soit suffisamment éloignée pour pouvoir la faire glisser au-dessus du bord du boîtier, de telle sorte qu'elle soit en contact avec l'extérieur du boîtier (Fig. 9).

**Étape 4 :** tout en maintenant l'embout en contact avec l'extérieur du boîtier, déplacez l'outil dans le sens antihoraire et appliquez une légère pression vers l'intérieur et vers le haut jusqu'à ce que vous sentiez et entendiez le contact avec le coin. Pendant que vous tournez le coin, appliquez une légère pression vers la gauche et vers le bas (Fig. 9).

**Étape 5 :** avancez lentement et uniformément le long du contour supérieur jusqu'à ce que vous sentiez l'embout atteindre le coin suivant. Faites le tour du coin et appliquez une légère pression vers le bas et vers l'intérieur jusqu'à ce que l'embout atteigne la coin inférieur (Fig. 9).

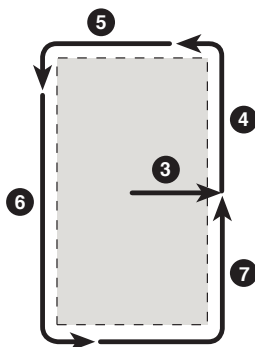
**Étape 6 :** déplacez l'embout vers la droite et vers le haut tout en maintenant une légère pression ininterrompue vers le boîtier (Fig. 9).

**Étape 7 :** faites le tour du coin inférieur droit et commencez à faire avancer l'embout vers le haut tout en appliquant une légère pression vers la gauche dans le sens du boîtier jusqu'au moment où vous ferez contact avec la coupe vers le haut initiale. Faites glisser l'interrupteur de la l'outil en position d'arrêt (Fig. 9).

**Étape 8 :** le trou autour du boîtier est maintenant complet. Il a été exécuté rapidement, proprement et en une fraction du temps nécessaire si l'on utilise d'autres méthodes.

**REMARQUE :** ces instructions pas à pas sont généralisées de manière à vous permettre de vous familiariser avec le fonctionnement de la l'outil. Après avoir pratiqué un peu plus son emploi, vous développerez peut-être une technique qui vous conviendra mieux. Cependant, vous devez toujours commencer la coupe plus ou moins au milieu et DÉPLACER L'OUTIL DANS LE SENS ANTIHORAIRE SEULEMENT afin de tirer le meilleur parti possible de l'action enveloppante de l'embout le long des contours du gabarit. Souvenez-vous d'utiliser un mouvement ininterrompu et sans à-coups. L'exception à cette règle s'applique à la découpe d'ouverture pour les fenêtres et les portes. Comme vous avancerez autour de l'intérieur de la charpente, déplacez l'embout dans le sens horaire afin de tirer le meilleur parti possible de l'action enveloppante de l'embout.

FIG. 9



## Description fonctionnelle et spécifications

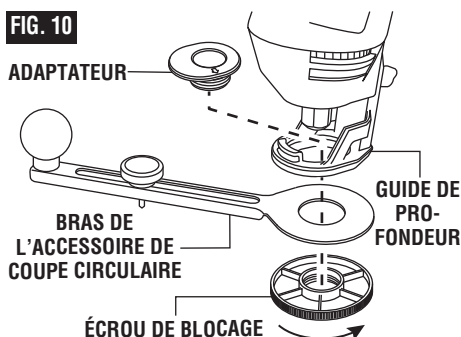
**AVERTISSEMENT** Débranchez la fiche de la prise de courant avant d'effectuer quelque assemblage ou réglage que ce soit ou de changer les accessoires. Ces mesures de sécurité préventive réduisent le risque d'une mise en marche accidentelle de l'outil.

### Accessoire de coupe circulaire en option NON INCLUS DANS TOUTES LES TROUSSES

#### FIXATION DE L'ACCESSOIRE DE COUPE CIRCULAIRE

1. Desserrez la vis de serrage du guide de profondeur et allongez le guide de profondeur autant que possible.
2. Insérez l'adaptateur dans le trou depuis le bout supérieur du guide de profondeur comme illustré (Fig. 10).
3. Positionnez le bras de l'accessoire de coupe circulaire sur la partie filetée de l'adaptateur depuis le bout inférieur du guide de profondeur, et serrez à fond avec l'écrou de blocage.

FIG. 10



### Trousse d'accessoires de dépoussiérage NON INCLUS DANS TOUTES LES TROUSSES

#### FIXATION DU BOUCLIER DE PROTECTION CONTRE LA POUSSIÈRE

1. Positionnez le bouclier de protection contre la poussière comme illustré et enfoncez le bouclier dans le guide de profondeur jusqu'à ce que les languettes du bouclier se verrouillent dans les fentes des deux côtés du guide de profondeur.
2. Pour retirer le bouclier de protection contre la poussière, comprimez les deux côtés du bouclier et retirez ce dernier du guide de profondeur.
3. Appuyez sur l'un des bouts du tuyau d'aspiration fourni dans la trousse pour le faire entrer dans l'orifice de dépoussiérage du bouclier.
4. Appuyez sur l'autre côté du tuyau d'aspiration pour le faire entrer dans la petite extrémité de l'adaptateur du tuyau.
5. Appuyez sur le tuyau de l'aspirateur d'atelier pour le faire entrer dans la grande extrémité de l'adaptateur du tuyau.

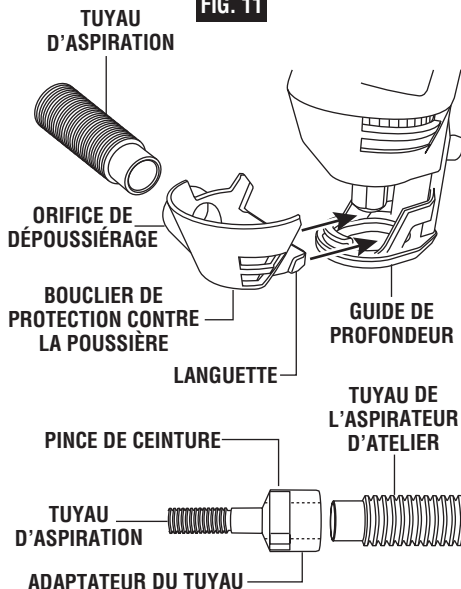
Pour emploi avec des tuyaux d'aspiration des diamètres suivants : 1-1/4 po, 1-1/2 po, 2-1/4 po ou 2-2/1 po.

#### PINCE DE CEINTURE

Une fois l'adaptateur du tuyau attaché à la ceinture, positionnez-vous de façon à éviter les risques d'enchevêtrement avec des objets avoisinants. Un enchevêtrement inattendu risquerait de causer la chute de l'outil, ce qui pourrait entraîner des blessures à l'opérateur ou à d'autres personnes présentes.

La pince de ceinture vous permet d'attacher le tuyau d'aspiration à votre ceinture de manière à ce qu'il soit facile à utiliser. Cette fonctionnalité vous permet d'avoir les deux mains libres lorsque vous montez sur une échelle ou déplacez l'outil vers un autre lieu de travail.

FIG. 11



## Accessoires et compléments

Les accessoires comprennent les articles suivants (qui peuvent être vendus séparément) :

Équipement de contrôle de la poussière DM5

Accessoire de coupe circulaire CRCT4

Votre scie Spiral Saw® fonctionnera avec tous les embouts Rotozip, y compris les embouts Zip® et XBITS®.

### Embouts Zip®

La ligne brevetée Rotozip d'embouts et accessoires Zip® polyvalents vous donne la flexibilité de passer rapidement d'un matériau à un autre et d'un travail à un autre, sans l'inconvénient d'avoir à changer d'outil.

Embout Zip® multifonctionnel Sabrecut® (SC)

Embout Zip® multifonctionnel Sabrecut™(SC)

Embout Zip® à pointe standard pour cloisons sèches (ZB)

Embout Zip® pour cloisons sèches Guidepoint™(GP)

Embout Zip® pour fenêtres et portes (WD)

Embout Zip® pour carreaux de revêtement (TC)

### XBITS®

Les embouts X-BITS ont été conçus pour des professionnels sérieux. Ils offrent une force et une vitesse supérieures permettant de couper même les matériaux les plus durs, littéralement en quelques secondes.

Embout XBITS® pour cloisons sèches (XB-DW, XB-OWD)

Embout XBITS® multifonctionnel (XB-MP)

Embout XBITS® multifonctionnel pour le contrôle de la poussière (XB-MPDM)

Embout XBITS® pour carreaux de sol (XB-FT)

Embout XBITS® pour carreaux de sol et comptoirs (XB-FTC)

Embout XBITS® pour carreaux de revêtement (XB-TC)

Embout XBITS® pour l'élimination du coulis de ciment (XB-GR)

Embout XBITS® pour sous-finition (XB-UL)

Embout XBITS® pour plâtre Duracut™ (XB-DC)

Embout XBITS® pour revêtements de sol laminés (XB-LF)

Embout XBITS® – métal (XB-MC)

**AVERTISSEMENT** Tenez l'outil fermement de manière à ce qu'il n'endommage pas le bord du matériau. Soyez sur vos gardes en cas de choc en retour, car vous risqueriez de perdre tout à coup le contrôle de l'outil.

## Entretien

### Service

**AVERTISSEMENT** Tout entretien préventif effectué par des personnels non autorisés peut résulter en mauvais placement de fils internes ou de pièces, ce qui peut présenter un danger grave. Nous vous conseillons de faire faire tout l'entretien de l'outil par un centre de service d'usine Bosch ou Rotozip ou une station service agréée Bosch. Appelez le 1-877-ROTOZIP (1-877-768-6947) si votre outil a besoin d'entretien.

### LUBRIFICATION DE L'OUTIL

Votre outil Rotozip a été lubrifié correctement en usine et il est prêt à l'utilisation. La lubrification effectuée en usine dure toute la vie utile de l'outil.

### BALAIS OU CHARBONS

Les balais (ou charbons) et le collecteur de votre outil ont été conçus pour apporter de nombreuses heures de fonctionnement fiable. Pour maintenir le rendement du moteur à son maximum, nous vous conseillons de contrôler les balais tous les deux à six mois. Il ne faut utiliser que des balais de rechange Bosch d'origine et conçus pour votre outil.

### PALIER

Votre outil et vos accessoires Rotozip contiennent des paliers étanches qui ont été conçus pour durer toute la

vie utile de l'outil. Si les paliers commencent à faire du bruit (à cause de surcharges importantes ou du toupillage de matériaux très abrasifs) il faut les inspecter immédiatement pour éviter la surchauffe ou une panne de moteur. Contactez votre centre de service d'usine Bosch ou Rotozip local si les paliers commencent à faire du bruit.

### Nettoyage

**AVERTISSEMENT** Pour éviter les accidents, il faut toujours débrancher l'outil avant de le nettoyer ou de l'entretenir. Le meilleur moyen de nettoyer l'outil est d'utiliser de l'air comprimé sec. Il faut toujours porter des lunettes de protection quand on utilise de l'air comprimé.

Les ouïes de ventilation et les leviers de l'interrupteur doivent rester propres et exempts de corps étrangers. Ne tentez pas de les nettoyer en enfonçant des objets pointus dans les orifices.

**MISE EN GARDE** Certains agents de nettoyages et certains dissolvants abîment les pièces en plastique. Parmi ceux-ci se trouvent: l'essence, le tétrachlorure de carbone, les dissolvants de nettoyage chlorés, l'ammoniaque ainsi que les détergents domestiques qui en contiennent.

## Cordons de rallonge

**AVERTISSEMENT** Si un cordon de rallonge s'avère nécessaire, vous devez utiliser un cordon avec conducteurs de dimension adéquate pouvant porter le courant nécessaire à votre outil. Ceci préviendra une chute excessive de tension, une perte de courant ou une surchauffe. Les outils mis à la terre doivent utiliser des cordons de rallonge trifilaires pourvus de fiches à trois broches ainsi que des prises à trois broches.

**REMARQUE** : Plus le calibre est petit, plus le fil est gros.

### DIMENSIONS DE RALLONGES RECOMMANDÉES OUTILS 120 VOLTS COURANT ALTERNATIF

| Intensité nominale de l'outil | Calibre A. W. G.  |    |     |     | Calibre en mm <sup>2</sup> |      |     |     |
|-------------------------------|-------------------|----|-----|-----|----------------------------|------|-----|-----|
|                               | Longueur en pieds |    |     |     | Longueur en mètres         |      |     |     |
|                               | 25                | 50 | 100 | 150 | 15                         | 30   | 60  | 120 |
| 3-6                           | 18                | 16 | 16  | 14  | 0,75                       | 0,75 | 1,5 | 2,5 |
| 6-8                           | 18                | 16 | 14  | 12  | 0,75                       | 1,0  | 2,5 | 4,0 |
| 8-10                          | 18                | 16 | 14  | 12  | 0,75                       | 1,0  | 2,5 | 4,0 |
| 10-12                         | 16                | 16 | 14  | 12  | 1,0                        | 2,5  | 4,0 | —   |
| 12-16                         | 14                | 12 | —   | —   | —                          | —    | —   | —   |



## Advertencias generales de seguridad para herramientas mecánicas

### **ADVERTENCIA**

Lea todas las advertencias de seguridad y todas las instrucciones. Si no se siguen las advertencias e instrucciones, el resultado podría ser sacudidas eléctricas, incendio y/o lesiones graves.

### **GUARDE TODAS LAS ADVERTENCIAS E INSTRUCCIONES PARA REFERENCIA FUTURA**

La expresión “herramienta mecánica” en las advertencias se refiere a su herramienta mecánica alimentada por la red eléctrica (herramienta alámbrica) o su herramienta mecánica alimentada por baterías (herramienta inalámbrica).

#### **Seguridad del área de trabajo**

**Mantenga el área de trabajo limpia y bien iluminada.** Las áreas desordenadas u oscuras invitan a que se produzcan accidentes.

**No utilice herramientas mecánicas en atmósferas explosivas, como por ejemplo en presencia de líquidos, gases o polvos inflamables.** Las herramientas mecánicas generan chispas que pueden incendiar el polvo o los vapores.

**Mantenga alejados a los niños y a las personas que estén presentes mientras esté utilizando una herramienta mecánica.** Las distracciones pueden hacerle perder el control de la herramienta.

#### **Seguridad eléctrica**

**Los enchufes de las herramientas mecánicas deben coincidir con el tomacorriente. No modifique nunca el enchufe de ningún modo. No use enchufes adaptadores con herramientas mecánicas conectadas a tierra (puestas a tierra).** Los enchufes no modificados y los tomacorrientes coincidentes reducirán el riesgo de sacudidas eléctricas.

**Evite el contacto del cuerpo con las superficies conectadas o puestas a tierra, tales como tuberías, radiadores, estufas y refrigeradores.** Hay un aumento del riesgo de sacudidas eléctricas si el cuerpo del operador se conecta o pone a tierra.

**No exponga las herramientas mecánicas a la lluvia o a condiciones mojadas.** La entrada de agua en una herramienta mecánica aumentará el riesgo de que se produzcan sacudidas eléctricas.

**No maltrate el cordón de energía. No use nunca el cordón para transportar la herramienta mecánica, tirar de ella o desenchufarla. Mantenga el cordón alejado del calor, el aceite, los bordes afilados o las piezas móviles.** Los cordones dañados o enganchados aumentan el riesgo de que se produzcan sacudidas eléctricas.

**Cuando utilice una herramienta mecánica en el exterior, use un cordón de extensión adecuado para uso a la intemperie.** La utilización de un cordón adecuado para uso a la intemperie reduce el riesgo de que se produzcan sacudidas eléctricas.

**Si es inevitable utilizar una herramienta mecánica en un lugar húmedo, utilice una fuente de energía**

**protegida por un interruptor de circuito accionado por corriente de pérdida a tierra (GFCI).** El uso de un GFCI reduce el riesgo de sacudidas eléctricas.

#### **Seguridad personal**

**Manténgase alerta, fíjese en lo que está haciendo y use el sentido común cuando esté utilizando una herramienta mecánica. No use una herramienta mecánica cuando esté cansado o bajo la influencia de drogas, alcohol o medicamentos.** Un momento de distracción mientras esté utilizando herramientas mecánicas podría causar lesiones corporales graves.

**Use equipo de protección personal. Use siempre protección de los ojos.** El equipo de protección, como por ejemplo una máscara antipolvo, calzado de seguridad antideslizante, casco o protección de oídos, utilizado para las condiciones apropiadas, reducirá las lesiones corporales.

**Evite el arranque accidental. Asegúrese de que el interruptor esté en la posición de apagado antes de conectar la herramienta a la fuente de energía y / o al paquete de batería, levantar la herramienta o transportarla.** Transportar herramientas mecánicas con un dedo en el interruptor o encender herramientas mecánicas que tengan el interruptor en la posición de encendido invita a que se produzcan accidentes.

**Quite todas las llaves de ajuste o de tuerca antes de encender la herramienta mecánica.** Una llave de tuerca o de ajuste que se deje colocada en una pieza giratoria de la herramienta mecánica podría causar lesiones corporales.

**No intente alcanzar demasiado lejos. Mantenga un apoyo de los pies y un equilibrio apropiados en todo momento.** Esto permite controlar mejor la herramienta mecánica en situaciones inesperadas.

**Vístase adecuadamente. No use ropa holgada ni alhajas holgadas. Mantenga el pelo, la ropa y los guantes alejados de las piezas móviles.** La ropa holgada, las alhajas holgadas o el pelo largo pueden quedar atrapados en las piezas móviles.

**Si se proporcionan dispositivos para la conexión de instalaciones de extracción y recolección de polvo, asegúrese de que dichas instalaciones estén conectadas y se usen correctamente.** El uso de dispositivos de recolección de polvo puede reducir los peligros relacionados con el polvo.

## Uso y cuidado de las herramientas mecánicas

**No fuerce la herramienta mecánica. Use la herramienta mecánica correcta para la aplicación que desee realizar.** La herramienta mecánica correcta hará el trabajo mejor y con más seguridad a la capacidad nominal para la que fue diseñada.

**No use la herramienta mecánica si el interruptor no la enciende y apaga.** Toda herramienta mecánica que no se pueda controlar con el interruptor es peligrosa y debe ser reparada.

**Desconecte el enchufe de la fuente de energía y/o el paquete de batería de la herramienta mecánica antes de hacer cualquier ajuste, cambiar accesorios o almacenar herramientas mecánicas.** Dichas medidas preventivas de seguridad reducen el riesgo de arrancar accidentalmente la herramienta mecánica.

**Guarde las herramientas que no esté usando fuera del alcance de los niños y no deje que personas que no estén familiarizadas con la herramienta mecánica o con estas instrucciones utilicen la herramienta.** Las herramientas mecánicas son peligrosas en manos de usuarios que no hayan recibido capacitación.

**Mantenga las herramientas mecánicas. Compruebe si hay piezas móviles desalineadas o que se atoran, si**

**hay piezas rotas y si existe cualquier otra situación que podría afectar el funcionamiento de la herramienta mecánica. Si la herramienta mecánica está dañada, haga que la reparen antes de usarla.** Muchos accidentes son causados por herramientas mecánicas mantenidas deficientemente.

**Mantenga las herramientas de corte afiladas y limpias.** Es menos probable que las herramientas de corte mantenidas apropiadamente, con bordes de corte afilados, se atoren, y dichas herramientas son más fáciles de controlar.

**Utilice la herramienta mecánica, los accesorios, las brocas de la herramienta, etc., de acuerdo con estas instrucciones, teniendo en cuenta las condiciones de trabajo y el trabajo que se vaya a realizar.** El uso de la herramienta mecánica para operaciones distintas a aquéllas para las que fue diseñada podría causar una situación peligrosa.

### Servicio de ajustes y reparaciones

**Haga que su herramienta mecánica reciba servicio de un técnico de reparaciones calificado, utilizando únicamente piezas de repuesto idénticas.** Esto asegurará que se mantenga la seguridad de la herramienta mecánica.

## Normas de seguridad para la Spiral Saw™

**Agarre la herramienta eléctrica por las superficies de agarre con aislamiento, porque puede que el cortador entre en contacto con su propio cable de alimentación.** Si se corta un cable que tenga corriente, se puede hacer que las partes metálicas de la herramienta eléctrica que estén al descubierto tengan corriente y causen una descarga eléctrica al operador.

**Use abrazaderas u otro modo práctico de asegurar y soportar la pieza de trabajo en una plataforma estable.** Si se sujeta la pieza de trabajo con la mano o contra el cuerpo, se crea una situación inestable y es posible que eso cause pérdida de control.

**Asegúrese siempre de que la superficie de trabajo no tenga clavos ni otros objetos extraños.** El corte de un clavo puede hacer que la broca y la herramienta salten y que la broca se dañe.

**Nunca tenga la pieza de trabajo en una mano y la herramienta en la otra al utilizarla. Nunca ponga las manos cerca o debajo de la superficie de corte.** Es más seguro fijar con abrazaderas el material y guiar la herramienta con ambas manos.

**Nunca ponga la pieza de trabajo sobre superficies duras, tales como hormigón, piedra, etc...** la broca de

corte que sobresale podrá hacer que la herramienta salte.

**Use siempre gafas de seguridad y máscara antipolvo. Use la herramienta únicamente en un área bien ventilada.** La utilización de dispositivos de seguridad personal y el trabajar en un entorno seguro reducen el riesgo de que se produzcan lesiones.

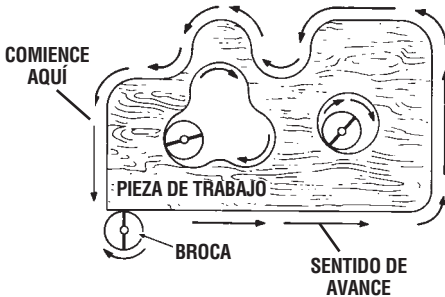
**Después de cambiar las brocas o de hacer ajustes, asegúrese de que la tuerca del portaherramienta y otros dispositivos de ajuste estén apretados firmemente.** Un dispositivo de ajuste flojo puede desplazarse inesperadamente, causando pérdida de control, y los componentes giratorios flojos saldrán despedidos violentamente.

**Nunca arranque la herramienta cuando la broca esté aoplada en el material.** El borde de corte de la broca puede engancharse en el material, causando pérdida de control de la cortadora.

**Sujete siempre la herramienta con las dos manos durante el arranque.** El par de reacción del motor puede hacer que la herramienta se tuerza

**Cuando frese o corte, el sentido de avance con el borde de corte de la broca introducido en el material es muy importante. Haga avanzar siempre la broca**

hacia el material en el mismo sentido en que el borde de corte esté saliendo del material. Al mirar a la herramienta desde arriba, la broca gira en el sentido de las agujas del reloj. Si la herramienta está entre la pieza de trabajo y el cuerpo del operador, haga avanzar la herramienta hacia la derecha. Si la pieza de trabajo está



entre la herramienta y el cuerpo del operador, haga avanzar la herramienta hacia la izquierda. Si se hace avanzar la herramienta en sentido incorrecto, se hace que el borde de corte de la broca trepe, se salga de la pieza de trabajo y tire de la herramienta en el sentido de este avance.

**Nunca use brocas desafiladas o dañadas. Las brocas afiladas se deben manejar con cuidado.** Las brocas dañadas pueden romperse bruscamente durante el uso. Las brocas desafiladas requieren más fuerza para empujar la herramienta, con lo que es posible que la broca se rompa.

**Nunca toque la broca durante ni inmediatamente después de la utilización.** Después del uso, la broca está demasiado caliente como para tocarla con las manos desnudas.

**Nunca deje la herramienta hasta que el motor se haya detenido por completo.** La broca que gira puede engancharse en la superficie y tirar de la herramienta haciendo que usted pierda el control.

**Nunca utilice brocas que tengan un diámetro de corte mayor que la abertura de la base.**

**No utilice la herramienta para taladrar.** Esta herramienta no está diseñada para uso con brocas taladradoras.

**Use siempre la herramienta con la guía de profundidad colocada firmemente y posicionada plana contra el material que se está cortando.** El posicionamiento firme de la guía sobre el material mejora la estabilidad y el control de la herramienta.

**Al conectar la herramienta a sistemas de recolección y extracción de polvo, asegúrese de que dichos sistemas se conecten y utilicen de acuerdo con las instrucciones de la herramienta y la aspiradora.** El uso correcto de recolección de polvo puede reducir los peligros relacionados con el polvo.

**Al utilizar la herramienta con sistemas de recolección y extracción de polvo, vacíe el recipiente para polvo antes de comenzar el trabajo, frecuentemente durante el trabajo, después de completar el trabajo y antes de almacenar la herramienta.** Tenga sumo cuidado al desechar el polvo, ya que los materiales en forma de partículas finas pueden ser explosivos.

**No arroje el polvo a un fuego al descubierto.** La combustión de las partículas finas de polvo podría ser explosiva.

**Al realizar operaciones de lijado y preparación de superficies con la herramienta conectada a un sistema de recolección y extracción de polvo, esté alerta a los materiales que están generando el polvo.** Puede ocurrir combustión causada por la mezcla de barnices, lacas, poliuretano, aceite o agua con las partículas de polvo si hay una descarga de electricidad estática, una chispa eléctrica o calor excesivo, lo cual puede producir un incendio en el sistema de extracción y recolección de polvo.

**No utilice extracción de polvo para las operaciones en las que el polvo pueda incluir elementos que estén ardiendo, humeando o ardiendo lentamente sin llamas, tales como cenizas calientes o chispas.** Podría ocurrir un incendio en el interior del tanque o la bolsa de la aspiradora. Es posible que el polvo arda lentamente sin llamas e incendie la aspiradora mucho después de completar el trabajo.

**No utilice extracción de polvo con polvos explosivos, barniz, revestimientos de poliuretano, limpiadores o pinturas a base de aceite.** Los motores eléctricos generan chispas que pueden incendiar el polvo o los vapores.

**No utilice extracción de polvo cuando trabaje en metal.** Las virutas procedentes del lijado, amolado o corte de metal pueden estar calientes y es posible que generen chispas, las cuales pueden derretir los adaptadores de plástico y las mangueras de aspiración, y podrían causar un incendio en el interior del tanque o la bolsa de la aspiradora.



## Advertencias de seguridad adicionales

Un GFCI y los dispositivos de protección personal, como guantes de goma y calzado de goma de electricista, mejorarán más su seguridad personal.

**No use herramientas mecánicas con capacidad nominal solamente para CA con una fuente de energía de CC.** Aunque pueda parecer que la herramienta funciona correctamente, es probable que los componentes eléctricos de la herramienta con capacidad nominal para CA fallen y creen un peligro para el operador.

**Mantenga los mangos secos, limpios y libres de aceite y grasa.** Las manos resbalosas no pueden controlar de modo seguro la herramienta mecánica.

**Use abrazaderas u otro modo práctico de sujetar y soportar la pieza de trabajo en una plataforma estable.** Si se sujeta la pieza de trabajo con la mano o contra el cuerpo, se crea una situación inestable que podría causar pérdida de control.

**Desarrolle un programa de mantenimiento periódico de la herramienta. Cuando limpie una herramienta, tenga cuidado de no desmontar ninguna de sus partes, ya que los cables internos podrían reubicarse incorrectamente o pellizcarse, o los resortes de retorno de los protectores de seguridad podrían montarse incorrectamente.** Ciertos agentes de

limpieza, tales como gasolina, tetracloruro de carbono, amoníaco, etc., podrían dañar las piezas de plástico.

Riesgo de lesiones para el usuario. El cordón de energía debe recibir servicio de ajustes y reparaciones solamente por un Centro de Servicio de Fábrica Rotozip o una Estación de Servicio Rotozip Autorizada.

**⚠ ADVERTENCIA** Cierta polvos generados por el lijado, aserrado, amolado y taladrado mecánicos, y por otras actividades de construcción, contienen agentes químicos que se sabe que causan cáncer, defectos de nacimiento u otros daños sobre la reproducción. Algunos ejemplos de estos agentes químicos son:

- Plomo de pinturas a base de plomo,
- Sílice cristalina de ladrillos y cemento y otros productos de mampostería, y
- Arsénico y cromo de madera tratada químicamente.

Su riesgo por causa de estas exposiciones varía, dependiendo de con cuánta frecuencia realice este tipo de trabajo. Para reducir su exposición a estos agentes químicos: trabaje en un área bien ventilada y trabaje con equipo de seguridad aprobado, como por ejemplo máscaras antipolvo que estén diseñadas especialmente para impedir mediante filtración el paso de partículas microscópicas.

## Símbolos

**IMPORTANTE:** Es posible que algunos de los símbolos siguientes se usen en su herramienta. Por favor, estúdielos y aprenda su significado. La interpretación adecuada de estos símbolos le permitirá utilizar la herramienta mejor y con más seguridad.

| Símbolo   | Nombre                                      | Designación/explicación   |
|---|---|---|
| V   | Volt  | Tensión (potencial)   |
| A   | Ampere                                      | Corriente   |
| Hz  | Hertz                                       | Frecuencia (ciclos por segundo)   |
| W   | Watt  | Potencia  |
| kg  | Kilogramo                                   | Peso  |
| min   | Minuto                                      | Tiempo  |
| s   | Segundo                                     | Tiempo  |
|    | Diámetro                                    | Tamaño de las brocas taladradoras, muelas, etc  |
| $n_0$   | Velocidad sin carga                         | Velocidad rotacional sin carga  |
| n   | Velocidad nominal                           | Máxima velocidad obtenible  |
| .../min   | Revoluciones o alternación por minuto       | Revoluciones, golpes, velocidad de superficie, órbitas, etc., por minuto                      |
| 0   | Posición "off" (apagado)                    | Velocidad cero, par motor cero...   |
| 1, 2, 3, ...<br>I, II, III,   | Graduaciones del selector                   | Graduaciones de velocidad, par motor o posición. Un número más alto significa mayor velocidad |
|    | Selector infinitamente variable con apagado | La velocidad aumenta desde la graduación de 0   |
|    | Flecha                                      | Acción en la dirección de la flecha   |
|   | Corriente alterna                           | Tipo o una característica de corriente  |
|  | Corriente continua                          | Tipo o una característica de corriente  |
|  | Corriente alterna o continua                | Tipo o una característica de corriente  |
|  | Construcción de clase II                    | Designa las herramientas de construcción con aislamiento doble.                               |
|  | Terminal de toma de tierra                  | Terminal de conexión a tierra   |
|  | Símbolo de advertencia                      | Alerta al usuario sobre mensajes de advertencia   |
|  | Sello RBRC de Li-ion                        | Designa el programa de reciclaje de baterías de Li-ion  |
|  | Sello RBRC de Ni-Cd                         | Designa el programa de reciclaje de baterías de Ni-Cd   |
|  | Símbolo de lectura del manual               | Alerta al usuario para que lea el manual  |
|  | Símbolo de uso de protección de los ojos    | Alerta al usuario para que use protección de los ojos   |

## Símbolos (continuación)

**IMPORTANTE:** Es posible que algunos de los símbolos siguientes se usen en su herramienta. Por favor, estúdielos y aprenda su significado. La interpretación adecuada de estos símbolos le permitirá utilizar la herramienta mejor y con más seguridad.



Este símbolo indica que esta herramienta está catalogada por Underwriters Laboratories.



Este símbolo indica que esta herramienta está reconocida por Underwriters Laboratories.



Este símbolo indica que Underwriters Laboratories ha catalogado esta herramienta indicando que cumple con las normas estadounidenses y canadienses.



Este símbolo indica que esta herramienta está catalogada por la Canadian Standards Association.



Este símbolo indica que la Canadian Standards Association ha catalogado esta herramienta indicando que cumple con las normas estadounidenses y canadienses.



Este símbolo indica que Intertek Testing Services ha catalogado esta herramienta indicando que cumple con las normas estadounidenses y canadienses.



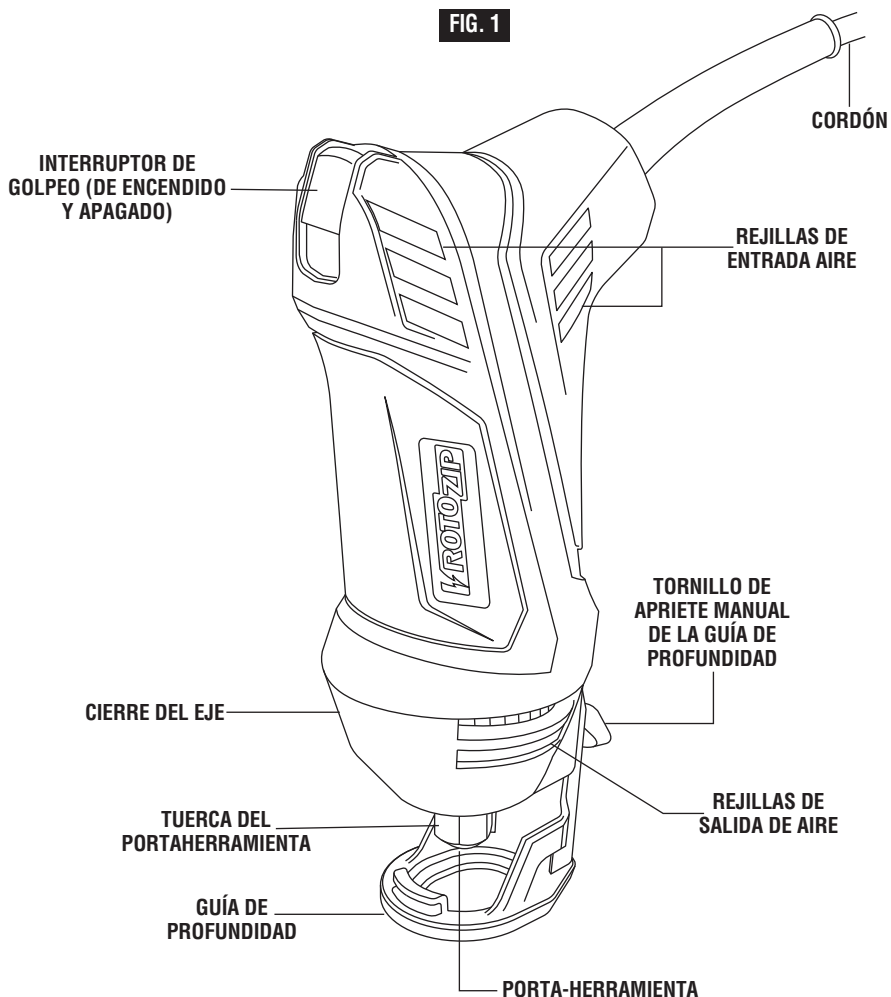
Este símbolo indica que esta herramienta cumple con la norma mexicana oficial (NOM).

## Descripción funcional y especificaciones

**⚠ ADVERTENCIA** Desconecte el enchufe de la fuente de energía antes de realizar cualquier ensamblaje o ajuste, o cambiar accesorios. Estas medidas de seguridad preventivas reducen el riesgo de arrancar la herramienta accidentalmente.

### Spiral Saw™

FIG. 1



La velocidad nominal del accesorio debe ser al menos igual a la velocidad marcada en la herramienta mecánica. Los accesorios que funcionen más rápidamente que su VELOCIDAD NOMINAL se pueden romper y salir despedidos.

**NOTA:** Para obtener las especificaciones de la herramienta, consulte la placa del fabricante colocada en la herramienta.

## Ensamblaje

**⚠ ADVERTENCIA** Desconecte el enchufe de la fuente de energía antes de realizar cualquier ensamble o ajuste, o cambiar accesorios. Estas medidas de seguridad preventivas reducen el riesgo de arrancar la herramienta accidentalmente. Asegúrese de que la tuerca del portaherramienta esté apretada firmemente antes de encender la herramienta.

### REMOCIÓN, INSTALACIÓN Y AJUSTE DE LA GUÍA DE PROFUNDIDAD

Para quitar la guía de profundidad de la herramienta, gire el tornillo de apriete manual en sentido contrario al de las agujas del reloj hasta que pueda sacarlo de la herramienta. Una vez hecho esto, la guía de profundidad debería salir libremente de la herramienta al tirar de ella.

Para reinstalar la guía de profundidad, alinee la ranura de la guía de profundidad con el agujero roscado de la carcasa metálica y reinstale el tornillo de apriete manual girándolo en el sentido de las agujas del reloj hasta que esté apretado. Tenga cuidado de no dañar las roscas del tornillo de apriete manual.

La guía de profundidad le permite a usted controlar la profundidad de corte. Afloje el tornillo de apriete manual girándolo en sentido contrario al de las agujas del reloj hasta que la guía de profundidad se pueda deslizar libremente sobre la carcasa metálica. En el caso de brocas con una punta de guía (brocas XBITS™ para panel de yeso, brocas Guidepoint® y brocas Zip® para ventanas y puertas), asegúrese de que todo el extremo de la punta de guía sobresalga 1/8" (3 mm) del espesor del material (Fig. 2). En el caso de brocas Zip® para panel de yeso de punta estándar, asegúrese de que el extremo estriado de la broca sobresalga 1/8" (3 mm) del espesor del material.

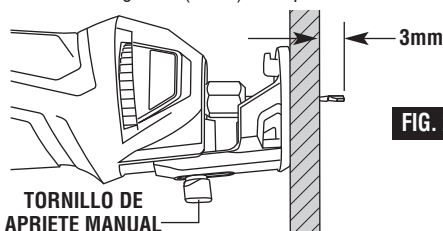


FIG. 2

### CAMBIO DEL PORTAHERRAMIENTA

**⚠ ADVERTENCIA** Las estrías de las brocas están afiladas y se deben manejar con precaución.

El portaherramienta de 1/8" (0.125") se usa con brocas de 1/8" (0.125") de diámetro, el portaherramienta de 1/4" (0.250") se usa con brocas de 1/4" (0.250") de diámetro y el portaherramienta de 5/32" (0.156") se usa con brocas de 5/32" (0.156") de diámetro.

Para cambiar los portaherramientas, afloje primero la tuerca del portaherramienta con la llave de tuerca incluida y quite la broca. Continúe aflojando y desenroscando la tuerca del portaherramienta hasta que pueda retirarla de la herramienta. Quite el portaherramienta y reemplácelo con el otro (Fig. 3).

(Cada portaherramienta tiene dos extremos y es aceptable usar cualquiera de dichos extremos.) Con la

mano, vuelva a apretar la tuerca del portaherramienta alrededor del portaherramienta girándola en el sentido de las agujas de reloj. Una vez hecho esto, usted estará listo para insertar una nueva broca tal y como se indica en la sección Instalación de las brocas (Fig. 4).

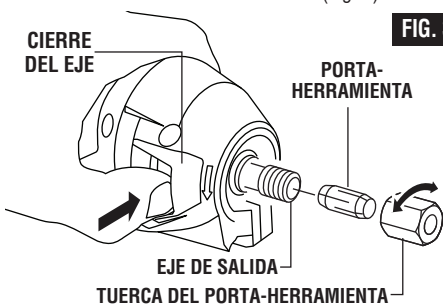


FIG. 3

### INSTALACIÓN DE LAS BROCAS

Las brocas se sujetan mediante un sistema de portaherramienta. Utilice el portaherramienta de 1/8" (0.125"), 1/4" (0.250") ó 5/32" (0.156") dependiendo del tamaño del vástago de la broca.

Presione y mantenga presionado el cierre del eje y gire la tuerca del portaherramienta y el eje hasta que el cierre del eje se acople y mantenga sujeto el eje.

Utilice la llave de tuerca incluida para aflojar la tuerca, girándola en sentido contrario al de las agujas del reloj (Fig. 4). Retire la broca vieja (si hay una broca instalada) e inserte la broca nueva lo más adentro posible. Reacople el cierre del eje y apriete la tuerca girándola en el sentido de las agujas del reloj con la mano y luego con la llave de tuerca hasta que la broca esté sujeta firmemente.

**⚠ PRECAUCION** Para evitar daños a la herramienta, nunca use el cierre del eje como dispositivo de frenado para hacer que la herramienta deje de girar.

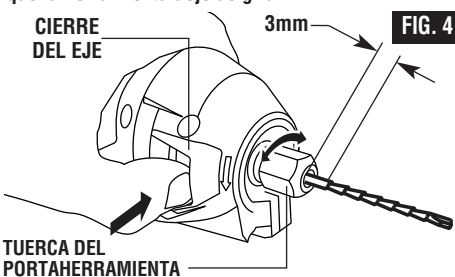


FIG. 4

## Instrucciones de funcionamiento

### INTERRUPTOR DE GOLPEO (DE ENCENDIDO Y APAGADO)

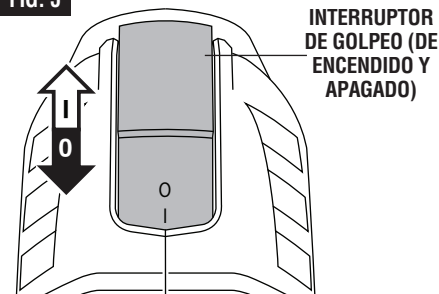
Esta herramienta se enciende por medio del interruptor de golpeo ubicado en la parte trasera de la carcasa del motor (Fig. 5).

**PARA ENCENDER LA HERRAMIENTA**, deslice el botón del interruptor hacia arriba o hasta la posición "1".

**PARA APAGAR LA HERRAMIENTA**, deslice el botón del interruptor hacia abajo o hasta la posición "0".

**⚠ ADVERTENCIA** Sujete la herramienta con las dos manos mientras la arranca, ya que el par de fuerzas de giro del motor puede hacer que la herramienta se tuerza.

FIG. 5



### HAGA CORTES DE ENSAYO

Después de instalar la broca en la herramienta y ajustar la guía de profundidad debe hacer algunos cortes para practicar con la herramienta antes de hacer el corte real.

La práctica le dará habilidad para hacer cortes profesionales..

**Paso 1:** Asegúrese de que la tuerca de la boquilla esté fija y segura antes de encender la herramienta.

**Paso 2:** Sostenga firmemente la herramienta y enciéndala en la velocidad deseada.

### CONSEJOS PRÁCTICOS

**Paso 3:** Sostenga la herramienta firmemente e inserte la broca en el material con un ángulo de 45° (Fig. 6).

**Paso 4:** Ponga la herramienta con cuidado en un ángulo de 90° para empezar a cortar (Fig. 7). La guía de la base debe quedar al ras con la superficie del material. Todos los materiales deben cortarse avanzando hacia la derecha (EXCEPTO al cortar alrededor de una caja de salida en un muro), en forma lenta y continua.

**Paso 5:** Al terminar su corte, apague la herramienta y retírela con cuidado del material.

No intente usar esta herramienta para hacer cortes alrededor de piezas fijas o aberturas con cables eléctricos vivos, o en una pared que pueda esconder cables eléctricos ya que la broca puede conducir la corriente a la herramienta y representar un riesgo de electrocución del operador. Apague los interruptores o retire los fusibles para desconectar el circuito. Al trabajar con la herramienta sosténgala siempre de la caja termoplástica y use protección para los ojos.

**NOTA:** Debido al funcionamiento giratorio de corte de la broca, se producirá un ligero tirón al cortar. Tendrá más control al cortar más lento. La presión excesiva o la rapidez al cortar pueden provocar el calentamiento excesivo y reducir la vida útil de la broca.

**NOTA:** Al cortar una superficie vertical evite terminar el corte en la parte inferior del orificio. Procure iniciar y terminar el corte en la parte superior de manera que la pieza que no va a utilizar no caiga en la broca que gira. Apague la herramienta y retírela del material.

FIG. 6

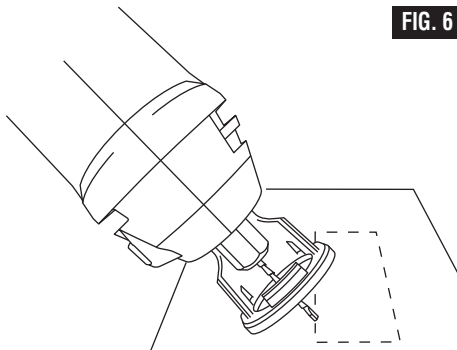
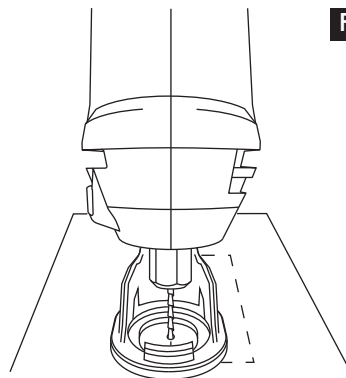


FIG. 7



## INSTRUCCIONES PARA CREAR CORTES DE ABERTURAS EN PANEL DE YESO PARA TOMACORRIENTES, FOCOS DE LUZ EMPOTRADOS, VENTANAS Y PUERTAS

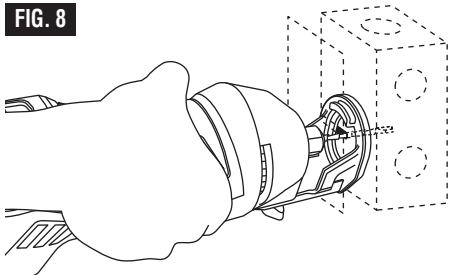
Después de ensamblar la broca en la herramienta tal y como se describió anteriormente, será necesario repasar las instrucciones proporcionadas más adelante y hacer algunos cortes de aberturas de práctica con esta herramienta antes de intentar realizar un trabajo real. El mejor método es tomar algunos pedazos de desecho y clavarlos o atornillarlos en su sitio sobre montantes de pared que tengan una caja eléctrica u otro dispositivo colocado. Unos cuantos de dichos ejercicios le darán la práctica necesaria para realizar cortes de aberturas limpios y profesionales alrededor de lo que esté detrás de la pared de panel de yeso que se esté instalando.

**⚠ ADVERTENCIA** No intente utilizar esta herramienta para hacer cortes de aberturas alrededor de cualquier dispositivo o abertura que tenga cables eléctricos con corriente ni en ninguna pared que pueda tener cables eléctricos con corriente detrás de ella, ya que la broca podría conducir la corriente hasta la herramienta, creando un peligro de electrocución para el operador. Desactive los cortacircuitos o quite los fusibles para desconectar el circuito. Sujete siempre la herramienta por su caja protectora termoplástica y use siempre protección de los ojos al utilizar este dispositivo.

**Paso 1:** Asegúrese de que la caja o el dispositivo esté montado firmemente y de que todos los cables u otras obstrucciones que se encuentren alrededor de la abertura estén empujados hacia atrás, fuera del paso. La broca usa el borde exterior de la caja o del dispositivo como guía, por lo que es importante que no haya nada en el paso que pueda evitar que dicho borde guíe completamente a la broca alrededor de la abertura. Para los propósitos de este manual de instrucciones, el procedimiento explicado será hacer un corte de abertura alrededor de una caja eléctrica estándar de 2 1/8" x 3 3/4" (54 x 95 mm).

**Paso 2:** Deslice el interruptor para encender la herramienta. Mientras sujeta firmemente con las dos manos la herramienta, haga que la broca penetre a través de la marca que usted hizo. Luego, guíe la broca hacia la derecha hasta que note y escuche que la broca toca el borde interno de la caja (Fig. 8).

FIG. 8



**Paso 3:** Saque la broca lo suficiente como para deslizarla sobre el borde de la caja, de manera que

ahora la broca se encuentre contra la parte exterior de la caja (Fig. 9).

**Paso 4:** Al mismo tiempo que mantiene la broca en contacto con la parte exterior de la caja, mueva la herramienta en sentido contrario al de las agujas del reloj mientras aplica una ligera presión hacia adentro y hacia arriba, hasta que note y escuche que llega a la esquina. A medida que vaya rodeando la esquina, aplique una presión ligera hacia la izquierda y hacia abajo (Fig. 9).

**Paso 5:** Mientras mueve la broca lenta y continuamente a lo largo del contorno superior, usted notará cuando la broca llega a la próxima esquina. Rodee la esquina y aplique una presión ligera hacia abajo y hacia adentro, hasta que llegue a la esquina inferior (Fig. 9).

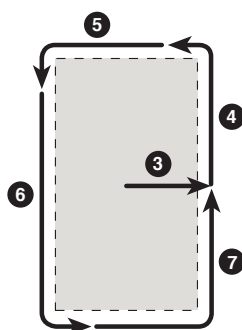
**Paso 6:** Mueva la broca hacia la derecha y hacia arriba, manteniendo una presión ligera y continua hacia la caja (Fig. 9).

**Paso 7:** Rodee la esquina inferior derecha y comience a mover la broca hacia arriba, al mismo tiempo que aplica una presión ligera hacia la izquierda, hacia la caja, hasta que se encuentre con el corte inicial hacia arriba. Empuje el interruptor de la herramienta hasta la posición de apagado (Fig. 9).

**Paso 8:** La caja terminada, ejecutada rápidamente, en debida forma y en una fracción del tiempo que se tarda con otros métodos.

**NOTA:** Estas instrucciones paso por paso están generalizadas para familiarizarle con el funcionamiento de la herramienta. Después de un poco de práctica, usted podrá desarrollar una técnica con la que se sienta más cómodo. Sin embargo, siempre debe comenzar el corte ligeramente hacia el centro y MOVER LA HERRAMIENTA SOLAMENTE EN SENTIDO CONTRARIO AL DE LAS AGUJAS DEL RELOJ para aprovechar la acción de "abrazo" de la broca a lo largo de los contornos de la plantilla. Recuerde utilizar un movimiento suave y continuo. La excepción a esta regla se aplica a cortar aberturas para ventanas y puertas. Como usted está trazando alrededor del interior de los miembros del armazón, mueva la broca en el sentido de las agujas del reloj para aprovechar la acción de "abrazo" de la broca.

FIG. 9



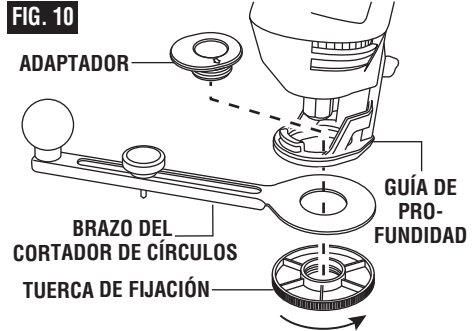
## Descripción funcional y especificaciones

**ADVERTENCIA** Desconecte el enchufe de la fuente de energía antes de realizar cualquier ensamblaje o ajuste, o cambiar accesorios. Estas medidas de seguridad preventivas reducen el riesgo de arrancar la herramienta accidentalmente.

### Aditamento cortador de círculos opcional NO INCLUIDO CON TODO LOS JUEGOS

#### INSTALACIÓN DEL CORTADOR DE CÍRCULOS

1. Afloje el tornillo de apriete manual de la guía de profundidad y extienda dicha guía de profundidad tanto como se pueda.
2. Inserte el adaptador en el agujero desde el lado superior de la guía de profundidad, de la manera que se muestra en la ilustración (Fig. 10).
3. Posicione el brazo del cortador de círculos en la parte roscada del adaptador desde el lado inferior de la guía de profundidad y apriételo firmemente con la tuerca de fijación.



### Juego de extracción de polvo NO INCLUIDO CON TODOS LOS JUEGOS

#### INSTALACIÓN DEL ESCUDO ANTIPOLVO

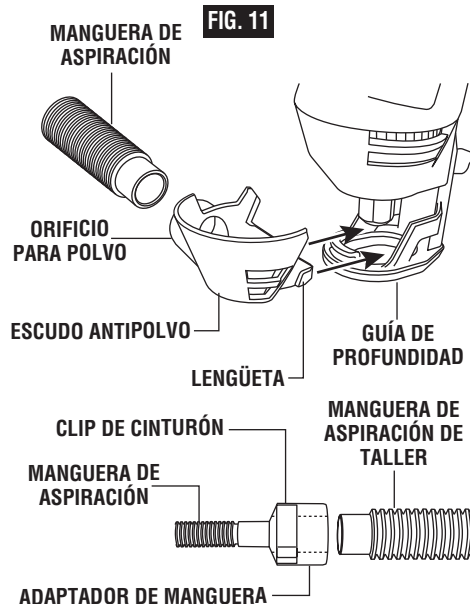
1. Posicione el escudo antipolvo de la manera que se muestra en la ilustración y empuje dicho escudo al interior de la guía de profundidad, hasta que las lengüetas ubicadas en el escudo antipolvo se bloqueen en las ranuras ubicadas a ambos lados de la guía de profundidad.
2. Para retirar el escudo antipolvo, comprima ambos lados de dicho escudo y retire el escudo antipolvo de la guía de profundidad.
3. Empuje cualquiera de los dos extremos de la manguera de aspiración provista con el juego al interior del orificio para polvo ubicado en el escudo antipolvo.
4. Empuje el extremo opuesto de la manguera de aspiración al interior del extremo pequeño del adaptador de manguera.
5. Empuje la manguera de aspiración de taller al interior del extremo grande del adaptador de manguera.

Para utilizarse con mangueras de aspiración de 1-1/4, 1-1/2, 2-1/4 ó 2-1/2 pulgadas de diámetro.

#### CLIP DE CINTURÓN

Cuando el adaptador de manguera esté sujeto al cinturón, posícionese para evitar engancharse con los objetos circundantes. Un enganche inesperado podría hacer que la herramienta se caiga, lo cual podría causar lesiones al operador o a las personas que estén presentes.

El clip de cinturón le permitirá sujetar convenientemente la manguera de aspiración a su cinturón. Este dispositivo le permitirá tener las dos manos libres cuando suba a una escalera de mano o vaya a otra área de trabajo.





## Mantenimiento

### Servicio

**ADVERTENCIA** El mantenimiento preventivo realizado por personal no autorizado puede dar lugar a la colocación incorrecta de cables y componentes internos que podría constituir un peligro serio. Recomendamos que todo el servicio de ajustes y reparaciones de la herramienta sea realizado por un Centro de Servicio de Fábrica Bosch o Rotozip o una Estación de Servicio Bosch Autorizada. Llame al 1-877-ROTOZIP (1-877-768-6947) si su herramienta necesita servicio.

### LUBRICACIÓN DE LAS HERRAMIENTAS

Su herramienta Rotozip ha sido lubricada adecuadamente y está lista para la utilización. La lubricación aplicada en la fábrica dura toda la vida útil de la herramienta.

### ESCOBILLAS DE CARBÓN

Las escobillas y el conmutador de la herramienta han sido diseñados para muchas horas de servicio fiable. Para mantener un rendimiento óptimo del motor, recomendamos que cada dos a seis meses se examinen las escobillas. Sólo se deben usar escobillas de repuesto Bosch genuinas diseñadas específicamente para su herramienta.

### COJINETES

La herramienta y los aditamentos Rotozip contienen cojinetes sellados que están diseñados para durar toda

la vida útil de la herramienta. Los cojinetes que se vuelven ruidosos (debido a la pesada carga o al corte de materiales muy abrasivos) deben ser inspeccionados de inmediato para evitar el sobrecalentamiento o la falla del motor. Contacte a su Centro de Servicio de Fábrica Bosch o Rotozip si los cojinetes se vuelven ruidosos.

### Limpeza

**ADVERTENCIA** Para evitar accidentes desconecte siempre la herramienta de la fuente de energía antes de la limpieza o de la realización de cualquier mantenimiento. La herramienta se puede limpiar más eficazmente con aire comprimido seco. Use gafas de seguridad siempre que limpie herramientas con aire comprimido.

Las aberturas de ventilación y las palancas de interruptor deben mantenerse limpias y libres de materias extrañas. No intente limpiar introduciendo objetos puntiagudos a través de las aberturas.

**PRECAUCION** Ciertos agentes de limpieza y disolventes dañan las piezas de plástico. Algunos de estos son: gasolina, tetracloruro de carbono, disolventes de limpieza clorados, amoníaco y detergentes domésticos que contienen amoníaco.

## Cordones de extensión

**ADVERTENCIA** Si es necesario un cordón de extensión, se debe usar un cordón con conductores de tamaño adecuado que sea capaz de transportar la corriente necesaria para la herramienta. Esto evitará caídas de tensión excesivas, pérdida de potencia o recalentamiento. Las herramientas conectadas a tierra deben usar cordones de extensión de 3 hilos que tengan enchufes de 3 terminales y receptáculos para 3 terminales.

**NOTA:** Cuanto más pequeño es el número de calibre, más grueso es el cordón.

TAMAÑOS RECOMENDADOS DE CORDONES DE EXTENSION HERRAMIENTAS DE 120 V CORRIENTE ALTERNA

| Capacidad nominal en amperes de la herramienta | Tamaño del cordón en A.W.G. |    |     |     | Tamaños del cable en mm <sup>2</sup> |      |     |     |
|--|-----------------------------|----|-----|-----|--------------------------------------|------|-----|-----|
|  | 25                          | 50 | 100 | 150 | Longitud del cordón en metros        |      |     |     |
| 3-6  | 18                          | 16 | 16  | 14  | 0,75                                 | 0,75 | 1,5 | 2,5 |
| 6-8  | 18                          | 16 | 14  | 12  | 0,75                                 | 1,0  | 2,5 | 4,0 |
| 8-10   | 18                          | 16 | 14  | 12  | 0,75                                 | 1,0  | 2,5 | 4,0 |
| 10-12  | 16                          | 16 | 14  | 12  | 1,0                                  | 2,5  | 4,0 | —   |
| 12-16  | 14                          | 12 | —   | —   | —                                    | —    | —   | —   |

## Accesorios y aditamentos

Los aditamentos incluyen los siguientes: (Es posible que los artículos se vendan por separado)

Juego de control del polvo DM5  
Aditamento para cortar círculos CRCT4

La Spiral Saw® funcionará con todas las brocas Rotozip, incluyendo las brocas Zip® y XBITS®.

### Brocas Zip®

La línea patentada que Rotozip ofrece de versátiles brocas Zip® y accesorios le brinda a usted la flexibilidad para pasar rápidamente de un material a otro y un trabajo a otro, sin la incomodidad de cambiar herramientas.

Broca Zip® multiuso Sabrecut™ Zip® (SC)

Broca Zip® de punta estándar para panel de yeso (ZB)

Broca Zip® Guidepoint™ para panel de yeso (GP)

Broca Zip® para ventanas y puertas (WD)

Broca Zip® para baldosa de pared (TC)

### BROCAS XBITS®

Las brocas X-BITS están diseñadas para los auténticos profesionales. Estas brocas ofrecen una resistencia y una velocidad extraordinarias para cortar a través de incluso los materiales más difíciles en unos segundos.

Brocas XBITS® para panel de yeso (XB-DW, XB-OWD)

Brocas XBITS® multiuso (XB-MP)

Brocas XBITS® multiuso de control del polvo (XB-MPDM)

Brocas XBITS® para baldosa de piso (XB-FT)

Brocas XBITS® para baldosa de piso y tablero de mostrador (XB-FTC)

Brocas XBITS® para baldosa de pared (XB-TC)

Brocas XBITS® quitalechada (XB-GR)

Brocas XBITS® para bases de piso (XB-UL)

Brocas XBITS® para yeso Duracut™ (XB-DC)

Brocas XBITS® para pisos laminados (XB-LF)

Brocas XBITS® para metal (XB-MC)

**⚠ ADVERTENCIA** Sujete firmemente la herramienta y evite que se salga durante la operación y corte el borde del material. Esté preparado para un retroceso potencial, en el cual la herramienta puede quedar fuera de control repentinamente.

**ACCESSORY GUIDE | GUÍA DE ACCESORIOS | GUIDE DES ACCESSOIRES**



|                    |       | Baldosa esbástica | Materiales acrílicos | Fibras de carbono | Baldosa de aluminio | Panel de yeso | Tablero de refuerzo de cerámica | Fibra de refuerzo de fibra | Fibrocemento | Ladrado para pisos o paredes | Granito | Materiales duros | Laminados | Leucita | Mármol | Metal | Tablero de hebras orientadas (OSB) | Plástico | Madera contrachapada | Materiales de porcelana y cerámica | Estuco | Paneles laterales de cerámica | Madera | Materiales compuestos de madera |
|--------------------|-------|-------------------|----------------------|-------------------|---------------------|---------------|---------------------------------|----------------------------|--------------|------------------------------|---------|------------------|-----------|---------|--------|-------|------------------------------------|----------|----------------------|------------------------------------|--------|-------------------------------|--------|---------------------------------|
| <b>XBITS</b>       |       | TAMANO DE VASTAGO |                      |                   |                     |               |                                 |                            |              |                              |         |                  |           |         |        |       |                                    |          |                      |                                    |        |                               |        |                                 |
| <b>XB-DW</b>       | 5/32" |                   |                      |                   |                     |               |                                 |                            |              |                              |         |                  |           |         |        |       |                                    |          |                      |                                    |        |                               |        |                                 |
| <b>XB-OWD</b>      | 1/4"  |                   |                      |                   |                     |               |                                 |                            |              |                              |         |                  |           |         |        |       |                                    |          |                      |                                    |        |                               |        |                                 |
| <b>XB-MP</b>       | 5/32" |                   |                      |                   |                     |               |                                 |                            |              |                              |         |                  |           |         |        |       |                                    |          |                      |                                    |        |                               |        |                                 |
| <b>XB-MPDM</b>     | 5/32" |                   |                      |                   |                     |               |                                 |                            |              |                              |         |                  |           |         |        |       |                                    |          |                      |                                    |        |                               |        |                                 |
| <b>XB-FT / FTC</b> | 1/4"  |                   |                      |                   |                     |               |                                 |                            |              |                              |         |                  |           |         |        |       |                                    |          |                      |                                    |        |                               |        |                                 |
| <b>XB-TC</b>       | 5/32" |                   |                      |                   |                     |               |                                 |                            |              |                              |         |                  |           |         |        |       |                                    |          |                      |                                    |        |                               |        |                                 |
| <b>XB-GR125</b>    | 1/4"  |                   |                      |                   |                     |               |                                 |                            |              |                              |         |                  |           |         |        |       |                                    |          |                      |                                    |        |                               |        |                                 |
| <b>XB-GR250</b>    | 1/4"  |                   |                      |                   |                     |               |                                 |                            |              |                              |         |                  |           |         |        |       |                                    |          |                      |                                    |        |                               |        |                                 |
| <b>XB-DC</b>       | 1/4"  |                   |                      |                   |                     |               |                                 |                            |              |                              |         |                  |           |         |        |       |                                    |          |                      |                                    |        |                               |        |                                 |
| <b>XB-UL</b>       | 5/32" |                   |                      |                   |                     |               |                                 |                            |              |                              |         |                  |           |         |        |       |                                    |          |                      |                                    |        |                               |        |                                 |
| <b>XB-MC</b>       | 5/32" |                   |                      |                   |                     |               |                                 |                            |              |                              |         |                  |           |         |        |       |                                    |          |                      |                                    |        |                               |        |                                 |
| <b>XB-LF</b>       | 5/32" |                   |                      |                   |                     |               |                                 |                            |              |                              |         |                  |           |         |        |       |                                    |          |                      |                                    |        |                               |        |                                 |
| <b>BROCAS ZIP®</b> |       |                   |                      |                   |                     |               |                                 |                            |              |                              |         |                  |           |         |        |       |                                    |          |                      |                                    |        |                               |        |                                 |
| <b>GP</b>          | 1/8"  |                   |                      |                   |                     |               |                                 |                            |              |                              |         |                  |           |         |        |       |                                    |          |                      |                                    |        |                               |        |                                 |
| <b>WD</b>          | 1/4"  |                   |                      |                   |                     |               |                                 |                            |              |                              |         |                  |           |         |        |       |                                    |          |                      |                                    |        |                               |        |                                 |
| <b>ZB</b>          | 1/8"  |                   |                      |                   |                     |               |                                 |                            |              |                              |         |                  |           |         |        |       |                                    |          |                      |                                    |        |                               |        |                                 |
| <b>SC</b>          | 1/8"  |                   |                      |                   |                     |               |                                 |                            |              |                              |         |                  |           |         |        |       |                                    |          |                      |                                    |        |                               |        |                                 |
| <b>TC</b>          | 1/8"  |                   |                      |                   |                     |               |                                 |                            |              |                              |         |                  |           |         |        |       |                                    |          |                      |                                    |        |                               |        |                                 |
| <b>XCORES</b>      |       |                   |                      |                   |                     |               |                                 |                            |              |                              |         |                  |           |         |        |       |                                    |          |                      |                                    |        |                               |        |                                 |
| <b>XC-T</b>        | 1/4"  |                   |                      |                   |                     |               |                                 |                            |              |                              |         |                  |           |         |        |       |                                    |          |                      |                                    |        |                               |        |                                 |
| <b>XWHEELS</b>     |       |                   |                      |                   |                     |               |                                 |                            |              |                              |         |                  |           |         |        |       |                                    |          |                      |                                    |        |                               |        |                                 |
| <b>XW-WD</b>       |       |                   |                      |                   |                     |               |                                 |                            |              |                              |         |                  |           |         |        |       |                                    |          |                      |                                    |        |                               |        |                                 |
| <b>XW-TILE</b>     |       |                   |                      |                   |                     |               |                                 |                            |              |                              |         |                  |           |         |        |       |                                    |          |                      |                                    |        |                               |        |                                 |
| <b>XW-MET</b>      |       |                   |                      |                   |                     |               |                                 |                            |              |                              |         |                  |           |         |        |       |                                    |          |                      |                                    |        |                               |        |                                 |
| <b>RUEDAS ZIP®</b> |       |                   |                      |                   |                     |               |                                 |                            |              |                              |         |                  |           |         |        |       |                                    |          |                      |                                    |        |                               |        |                                 |
| <b>RZDIA</b>       |       |                   |                      |                   |                     |               |                                 |                            |              |                              |         |                  |           |         |        |       |                                    |          |                      |                                    |        |                               |        |                                 |
| <b>RZMAS</b>       |       |                   |                      |                   |                     |               |                                 |                            |              |                              |         |                  |           |         |        |       |                                    |          |                      |                                    |        |                               |        |                                 |
| <b>RZMET</b>       |       |                   |                      |                   |                     |               |                                 |                            |              |                              |         |                  |           |         |        |       |                                    |          |                      |                                    |        |                               |        |                                 |

**LIMITED WARRANTY OF BOSCH PORTABLE AND BENCHTOP POWER TOOLS**

Robert Bosch Tool Corporation ("Seller") warrants to the original purchaser only, that all BOSCH portable and benchtop power tools will be free from defects in material or workmanship for a period of one year from date of purchase. SELLER'S SOLE OBLIGATION AND YOUR EXCLUSIVE REMEDY under this Limited Warranty and, to the extent permitted by law, any warranty or condition implied by law, shall be the repair or replacement of parts, without charge, which are defective in material or workmanship and which have not been misused, carelessly handled, or misrepaired by persons other than Seller or Authorized Service Station. To make a claim under this Limited Warranty, you must return the complete portable or benchtop power tool product, transportation prepaid, to any BOSCH Factory Service Center or Authorized Service Station. For Authorized BOSCH Power Tool Service Stations, please refer to your phone directory.

THIS LIMITED WARRANTY DOES NOT APPLY TO ACCESSORY ITEMS SUCH AS CIRCULAR SAW BLADES, DRILL BITS, ROUTER BITS, JIGSAW BLADES, SANDING BELTS, GRINDING WHEELS AND OTHER RELATED ITEMS.

ANY IMPLIED WARRANTIES SHALL BE LIMITED IN DURATION TO ONE YEAR FROM DATE OF PURCHASE. SOME STATES IN THE U.S., SOME CANADIAN PROVINCES DO NOT ALLOW LIMITATIONS ON HOW LONG AN IMPLIED WARRANTY LASTS, SO THE ABOVE LIMITATION MAY NOT APPLY TO YOU.

IN NO EVENT SHALL SELLER BE LIABLE FOR ANY INCIDENTAL OR CONSEQUENTIAL DAMAGES (INCLUDING BUT NOT LIMITED TO LIABILITY FOR LOSS OF PROFITS) ARISING FROM THE SALE OR USE OF THIS PRODUCT. SOME STATES IN THE U.S. AND SOME CANADIAN PROVINCES DO NOT ALLOW THE EXCLUSION OR LIMITATION OF INCIDENTAL OR CONSEQUENTIAL DAMAGES, SO THE ABOVE LIMITATION OR EXCLUSION MAY NOT APPLY TO YOU.

THIS LIMITED WARRANTY GIVES YOU SPECIFIC LEGAL RIGHTS, AND YOU MAY ALSO HAVE OTHER RIGHTS WHICH VARY FROM STATE TO STATE IN THE U.S., PROVINCE TO PROVINCE IN CANADA AND FROM COUNTRY TO COUNTRY.

THIS LIMITED WARRANTY APPLIES ONLY TO PORTABLE AND BENCHTOP ELECTRIC TOOLS SOLD WITHIN THE UNITED STATES OF AMERICA, CANADA AND THE COMMONWEALTH OF PUERTO RICO. FOR WARRANTY COVERAGE WITHIN OTHER COUNTRIES, CONTACT YOUR LOCAL BOSCH DEALER OR IMPORTER.

**GARANTIE LIMITÉE DES OUTILS ÉLECTRIQUES PORTATIFS ET D'ÉTABLI BOSCH**

Robert Bosch Tool Corporation (le « vendeur ») garantit à l'acheteur initial seulement que tous les outils électriques portatifs et d'établi BOSCH seront exempts de vices de matériaux ou d'exécution pendant une période d'un an depuis la date d'achat. LA SEULE OBLIGATION DU VENDEUR ET LE SEUL RECOURS DE L'ACHETEUR sous la présente garantie limitée, et en autant que la loi le permette sous toute garantie ou condition implicite qui en découlerait, sera l'obligation de remplacer ou réparer gratuitement les pièces défectueuses matériellement ou comme fabrication, pourvu que lesdites défectuosités ne soient pas attribuables à un usage abusif ou à quelque réparation bricolée par quelqu'un d'autre que le vendeur ou le personnel d'une station-service agréée. Pour présenter une réclamation en vertu de cette garantie limitée, vous devez renvoyer l'outil électrique portatif ou d'établi complet, port payé, à tout centre de service agréé ou centre de service usine. Veuillez consulter votre annuaire téléphonique pour les adresses.

LA PRÉSENTE GARANTIE LIMITÉE NE S'APPLIQUE PAS AUX ACCESSOIRES TELS QUE LAMES DE SCIES CIRCULAIRES, EMBOUTS DE PERCEUSES, EMBOUTS DE TOUPIES, LAMES DE SCIES SAUTEUSES, COURROIES DE PONÇAGE, MEULES ET AUTRES ARTICLES DU GENRE.

TOUTE GARANTIE IMPLICITE SERA LIMITÉE COMME DURÉE À UN AN À COMPTER DE LA DATE D'ACHAT. CERTAINS ÉTATS AMÉRICAINS, CERTAINES PROVINCES CANADIENNES N'ADMETTANT PAS LE PRINCIPE DE LA LIMITATION DE LA DURÉE DES GARANTIES IMPLICITES, IL EST POSSIBLE QUE LES LIMITATIONS CI-DESSUS NE S'APPLIQUENT PAS À VOTRE CAS.

EN AUCUN CAS LE VENDEUR NE SAURAIT ÊTRE TENU POUR RESPONSABLE DES INCIDENTS OU DOMMAGES INDIRECTS (INCLUANT, MAIS NE SE LIMITANT PAS AUX PERTES DE PROFITS) CONSÉCUTIFS À LA VENTE OU L'USAGE DE CE PRODUIT. CERTAINS ÉTATS AMÉRICAINS ET CERTAINES PROVINCES CANADIENNES N'ADMETTANT PAS LE PRINCIPE DE LA LIMITATION NI L'EXCLUSION DES DOMMAGES INDIRECTS ET CONSÉQUENTIELS, IL EST POSSIBLE QUE LES LIMITATIONS OU EXCLUSIONS CI-DESSUS NE S'APPLIQUENT PAS À VOTRE CAS.

LA PRÉSENTE GARANTIE VOUS ACCORDE DES DROITS BIEN DÉTERMINÉS, Y COMPRIS POSSIBLEMENT CERTAINS DROITS VARIABLES DANS LES DIFFÉRENTS ÉTATS AMÉRICAINS, PROVINCES CANADIENNE ET DE PAYS À PAYS.

CETTE GARANTIE LIMITÉE NE S'APPLIQUE QU'ÀUX OUTILS ÉLECTRIQUES PORTATIFS ET D'ÉTABLI VENDUS AUX ÉTATS-UNIS D'AMÉRIQUE, AU CANADA ET AU COMMONWEALTH DE PORTO RICO. POUR COUVERTURE DE GARANTIE DANS LES AUTRES PAYS, CONTACTEZ VOTRE IMPORTATEUR OU REVENDEUR BOSCH LOCAL.

**GARANTIA LIMITADA PARA HERRAMIENTAS MECANICAS PORTATILES Y PARA TABLERO DE BANCO BOSCH**

Robert Bosch Tool Corporation ("el Vendedor") garantiza, únicamente al comprador original, que todas las herramientas mecánicas portátiles y para tablero de banco BOSCH estarán libres de defectos de material o de fabricación durante un período de un año a partir de la fecha de compra. LA ÚNICA OBLIGACION DEL VENDEADOR Y EL RECURSO EXCLUSIVO QUE USTED TIENE bajo esta Garantía Limitada y, hasta donde la ley lo permita, bajo cualquier garantía o condición implícita por ley, consistirá en la reparación o sustitución sin costo de las piezas que presenten defectos de material o de fabricación y que no hayan sido utilizadas incorrectamente, manejadas descuidadamente o reparadas incorrectamente por personas que no sean el Vendedor o una Estación de servicio autorizada. Para efectuar una reclamación bajo esta Garantía Limitada, usted debe devolver el producto, que consiste en la herramienta mecánica portátil o para tablero de banco completa, con el transporte pagado, a cualquier Centro de servicio de fábrica o Estación de servicio autorizada. Para Estaciones de servicio autorizadas de herramientas mecánicas BOSCH, por favor, consulte el directorio telefónico.

ESTA GARANTIA LIMITADA NO SE APLICA A ARTICULOS ACCESORIOS TALES COMO HOJAS PARA SIERRAS CIRCULARES, BROCAS PARA TALADROS, BROCAS PARA FRESADORAS, HOJAS PARA SIERRAS DE VAIVEN, CORREAS PARA LIJAR, RUEDAS DE AMOLAR Y OTROS ARTICULOS RELACIONADOS.

TODAS LAS GARANTIAS IMPLICITAS TENDRAN UNA DURACION LIMITADA A UN AÑO A PARTIR DE LA FECHA DE COMPRA. ALGUNOS ESTADOS DE LOS EE.UU. Y ALGUNAS PROVINCIAS CANADIENSES NO PERMITEN LIMITACIONES EN CUANTO A LA DURACION DE UNA GARANTIA IMPLICITA, POR LO QUE ES POSIBLE QUE LA LIMITACION ANTERIOR NO SEA APLICABLE EN EL CASO DE USTED.

EL VENDEADOR NO SERA RESPONSABLE EN NINGUN CASO DE NINGUN DAÑO INCIDENTAL O EMERGENTE (INCLUYENDO PERO NO LIMITADO A RESPONSABILIDAD POR PERDIDA DE BENEFICIOS) QUE SE PRODUZCA COMO CONSECUENCIA DE LA VENTA O UTILIZACION DE ESTE PRODUCTO. ALGUNOS ESTADOS DE LOS EE.UU. Y ALGUNAS PROVINCIAS CANADIENSES NO PERMITEN LA EXCLUSION O LIMITACION DE LOS DAÑOS INCIDENTALES O EMERGENTES, POR LO QUE ES POSIBLE QUE LA LIMITACION O EXCLUSION ANTERIOR NO SEA APLICABLE EN EL CASO DE USTED.

ESTA GARANTIA LIMITADA LE CONFIERE A USTED DERECHOS LEGALES ESPECIFICOS Y ES POSIBLE QUE USTED TAMBIEN TENGA OTROS DERECHOS QUE VARIAN DE ESTADO A ESTADO EN LOS EE.UU., DE PROVINCIA A PROVINCIA EN CANADA Y DE UN PAIS A OTRO.

ESTA GARANTIA LIMITADA SE APLICA SOLAMENTE A HERRAMIENTAS ELECTRICAS PORTATILES Y PARA TABLERO DE BANCO VENDIDAS EN LOS ESTADOS UNIDOS DE AMERICA, CANADA Y EL ESTADO LIBRE ASOCIADO DE PUERTO RICO. PARA COBERTURA DE GARANTIA EN OTROS PAISES, PONGASE EN CONTACTO CON SU DISTRIBUIDOR O IMPORTADOR LOCAL DE BOSCH.

© Robert Bosch Tool Corporation 1800 W. Central Road Mt. Prospect, IL 60056-2230

Exportado por: Robert Bosch Tool Corporation Mt. Prospect, IL 60056-2230, E.U.A.

Importado a México por: Robert Bosch, S.A. de C.V., Calle Robert Bosch No. 405, Zona Industrial, Toluca, Edo. de México, C.P. 50070, Tel. (722) 2792300

2610015858 02/12



2 6 1 0 0 1 5 8 5 8