

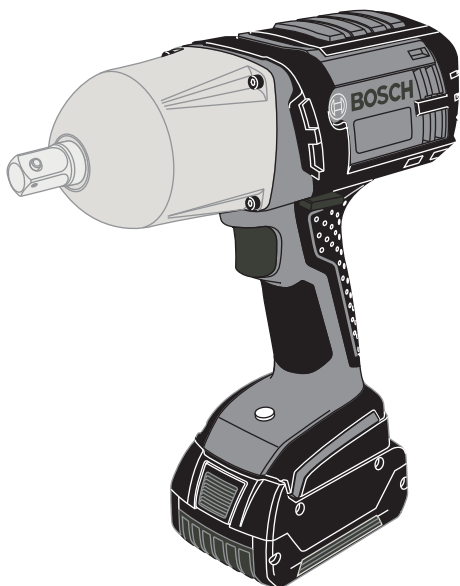
IMPORTANT
Read Before Using

IMPORTANT
Lire avant usage

IMPORTANTE
Leer antes de usar



Operating / Safety Instructions
Consignes d'utilisation/de sécurité
Instrucciones de funcionamiento y seguridad



IWHT180

HTH181

HTH182



BOSCH

Call Toll Free for Consumer Information and Service Locations

Pour obtenir des informations et les adresses de nos centres de service après-vente, appelez ce numéro gratuit

Llame gratis para obtener información para el consumidor y ubicaciones de servicio

1-877-BOSCH99 (1-877-267-2499) www.boschtools.com





For English Version
See page 2

Version française
Voir page 13

Versión en español
Ver la página 24

Safety Symbols

The definitions below describe the level of severity for each signal word. Please read the manual and pay attention to these symbols.

	This is the safety alert symbol. It is used to alert you to potential personal injury hazards. Obey all safety messages that follow this symbol to avoid possible injury or death.
	DANGER indicates a hazardous situation which, if not avoided, will result in death or serious injury.
	WARNING indicates a hazardous situation which, if not avoided, could result in death or serious injury.
	CAUTION indicates a hazardous situation which, if not avoided, could result in minor or moderate injury.

General Power Tool Safety Warnings

WARNING Read all safety warnings, instructions, illustrations and specifications provided with this power tool. Failure to follow all instructions listed below may result in electric shock, fire and/or serious injury.

SAVE ALL WARNINGS AND INSTRUCTIONS FOR FUTURE REFERENCE

The term “power tool” in the warnings refers to your mains-operated (corded) power tool or battery-operated (cordless) power tool.

► Work area safety

Keep work area clean and well lit. Cluttered or dark areas invite accidents.

Do not operate power tools in explosive atmospheres, such as in the presence of flammable liquids, gases or dust. Power tools create sparks which may ignite the dust or fumes.

Keep children and bystanders away while operating a power tool. Distractions can cause you to lose control.

► Electrical safety

Power tool plugs must match the outlet. Never modify the plug in any way. Do not use any adapter plugs with earthed (grounded) power tools. Unmodified plugs and matching outlets will reduce risk of electric shock.

Avoid body contact with earthed or grounded surfaces, such as pipes, radiators, ranges and refrigerators. There is an increased risk of electric shock if your body is earthed or grounded.

Do not expose power tools to rain or wet conditions. Water entering a power tool will increase the risk of electric shock.

Do not abuse the cord. Never use the cord for carrying, pulling or unplugging the power tool. Keep cord away from heat, oil, sharp edges or moving parts. Damaged or entangled cords increase the risk of electric shock.

When operating a power tool outdoors, use an extension cord suitable for outdoor use. Use of a cord suitable for outdoor use reduces the risk of electric shock.

If operating a power tool in a damp location is unavoidable, use a Ground Fault Circuit Interrupter (GFCI) protected supply. Use of an GFCI reduces the risk of electric shock.

► Personal safety

Stay alert, watch what you are doing and use common sense when operating a power tool. Do not use a power tool while you are tired or under the influence

General Power Tool Safety Warnings

of drugs, alcohol or medication. A moment of inattention while operating power tools may result in serious personal injury.

Use personal protective equipment.

Always wear eye protection. Protective equipment such as dust mask, non-skid safety shoes, hard hat, or hearing protection used for appropriate conditions will reduce personal injuries.

Prevent unintentional starting. Ensure the switch is in the off-position before connecting to power source and / or battery pack, picking up or carrying the tool. Carrying power tools with your finger on the switch or energizing power tools that have the switch on invites accidents.

Remove any adjusting key or wrench before turning the power tool on. A wrench or a key left attached to a rotating part of the power tool may result in personal injury.

Do not overreach. Keep proper footing and balance at all times. This enables better control of the power tool in unexpected situations.

Dress properly. Do not wear loose clothing or jewelry. Keep your hair, clothing and gloves away from moving parts. Loose clothes, jewelry or long hair can be caught in moving parts.

If devices are provided for the connection of dust extraction and collection facilities, ensure these are connected and properly used. Use of dust collection can reduce dust-related hazards.

Do not let familiarity gained from frequent use of tools allow you to become complacent and ignore tool safety principles. A careless action can cause severe injury within a fraction of a second.

► Power tool use and care

Do not force the power tool. Use the correct power tool for your application. The correct power tool will do the job better and safer at the rate for which it was designed.

Do not use the power tool if the switch does not turn it on and off. Any power

tool that cannot be controlled with the switch is dangerous and must be repaired.

Disconnect the plug from the power source and/or remove the battery pack, if detachable, from the power tool before making any adjustments, changing accessories, or storing power tools. Such preventive safety measures reduce the risk of starting the power tool accidentally.

Store idle power tools out of the reach of children and do not allow persons unfamiliar with the power tool or these instructions to operate the power tool. Power tools are dangerous in the hands of untrained users.

Maintain power tools and accessories. Check for misalignment or binding of moving parts, breakage of parts and any other condition that may affect the power tool's operation. If damaged, have the power tool repaired before use. Many accidents are caused by poorly maintained power tools.

Keep cutting tools sharp and clean. Properly maintained cutting tools with sharp cutting edges are less likely to bind and are easier to control.

Use the power tool, accessories and tool bits etc. in accordance with these instructions, taking into account the working conditions and the work to be performed. Use of the power tool for operations different from those intended could result in a hazardous situation.

Keep handles and grasping surfaces dry, clean and free from oil and grease. Slippery handles and grasping surfaces do not allow for safe handling and control of the tool in unexpected situations.

► Battery tool use and care

Recharge only with the charger specified by the manufacturer. A charger that is suitable for one type of battery pack may create a risk of fire when used with another battery pack.

Use power tools only with specifically designated battery packs. Use of any other battery packs may create a risk of injury and fire.

When battery pack is not in use, keep it

General Power Tool Safety Warnings

away from other metal objects like paper clips, coins, keys, nails, screws, or other small metal objects that can make a connection from one terminal to another. Shorting the battery terminals together may cause burns or a fire.

Under abusive conditions, liquid may be ejected from the battery, avoid contact. If contact accidentally occurs, flush with water. If liquid contacts eyes, additionally seek medical help. Liquid ejected from the battery may cause irritation or burns.

Do not use a battery pack or tool that is damaged or modified. Damaged or modified batteries may exhibit unpredictable behaviour resulting in fire, explosion or risk of injury.

Do not expose a battery pack or tool to fire or excessive temperature. Exposure to fire or temperature above 265 °F may cause explosion.

Follow all charging instructions and do not charge the battery pack or tool outside the temperature range specified in the instructions. Charging improperly or at temperatures outside the specified range may damage the battery and increase the risk of fire.

► Service

Have your power tool serviced by a qualified repair person using only identical replacement parts. This will ensure that the safety of the power tool is maintained.

Never service damaged battery packs. Service of battery packs should only be performed by the manufacturer or authorized service providers.

Safety Rules for Cordless Impact Wrenches

Hold the power tool by insulated gripping surfaces, when performing an operation where the fastener may contact hidden wiring. Fasteners contacting a “live” wire may make exposed metal parts of the power tool “live” and could give the operator an electric shock.

Brace the tool properly before use. This tool produces a high output torque and without properly bracing the tool during operation, loss of control may occur resulting in personal injury.

Use clamps or another practical way to secure and support the workpiece to a stable platform. Holding the work by hand or against your body leaves it unstable and may lead to loss of control.

Do not drill, fasten or break into existing walls or other blind areas where electrical wiring may exist. If this situation is unavoidable, disconnect all fuses or circuit breakers feeding this worksite.

Always wear safety goggles or eye protection when using this tool.

Wear ear protectors when using the tool for extended periods. Prolonged exposure to high intensity noise can cause hearing loss.

Use thick cushioned gloves and limit the exposure time by taking frequent rest periods. Vibration caused by hammer-drill action may be harmful to your hands and arms.

Secure the material being fastened. Never hold it in your hand or across your legs. Unstable support can cause loss of control and injury.

Avoid accidental starting. Be sure the forward/reverse switch is in the off position before inserting battery pack. Carrying appliances with your finger on the switch or inserting the battery pack into an appliance with the switch on invites accidents.

Remove battery pack before changing accessories. Accidental starting may occur because battery appliances with a battery inserted are in the operative condition.

Be prepared for a reaction torque when “seating” or removing a fastener. The screwdriver housing may tend to twist in the opposite direction of bit rotation when “seating” or removing a fastener depending on the torque setting of the tool.

Do not use dull or damaged impact

Safety Rules for Cordless Impact Wrenches

sockets and accessories. When installing an accessory, insert the impact socket well onto the output drive. Be sure the output drive has locked onto the socket correctly.

Do not run the tool while carrying it at your side. A spinning bit could become entangled with clothing and injury may result.

Place the tool onto the fastener only when the screwdriver is switched off. Rotating driver tools can slide off the fastener.

Do not use this tool as a drill. Tools

equipped with shut-off clutches are not designed for drilling applications. The output drive can shut off automatically and without warning.

Be careful when driving long screws – there is a risk of sliding off the fastener head depending on type of socket or bit used. First test the run-down of a fastener and pay attention during the screw driving process to ensure you do not injure yourself if the tool bit or socket slides off of the fastener.

Additional Safety Warnings

GFCI and personal protection devices like electrician's rubber gloves and footwear will further enhance your personal safety.

Do not use AC only rated tools with a DC power supply. While the tool may appear to work, the electrical components of the AC rated tool are likely to fail and create a hazard to the operator.

Keep handles dry, clean and free from oil and grease. Slippery hands cannot safely control the power tool.

Develop a periodic maintenance schedule for your tool. When cleaning a tool be careful not to disassemble any portion of the tool since internal wires may be misplaced or pinched or safety guard return springs may be improperly mounted. Certain cleaning agents such as gasoline, carbon tetrachloride, ammonia, etc. may damage plastic parts.

Ensure the switch is in the off position before inserting battery pack. Inserting the

battery pack into power tools that have the switch on invites accidents.





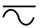


⚠ WARNING Some dust created by power sanding, sawing, grinding, drilling, and other construction activities contains chemicals known to cause cancer, birth defects or other reproductive harm. Some examples of these chemicals are:

- Lead from lead-based paints,
- Crystalline silica from bricks and cement and other masonry products, and
- Arsenic and chromium from chemically-treated lumber.

Your risk from these exposures varies, depending on how often you do this type of work. To reduce your exposure to these chemicals: work in a well ventilated area, and work with approved safety equipment, such as those dust masks that are specially designed to filter out microscopic particles.

Symbols

Important: Some of the following symbols may be used on your tool. Please study them and learn their meaning. Proper interpretation of these symbols will allow you to operate the tool better and safer.

Symbol	Designation / Explanation
V	Volts (voltage)
Ah	Amp hour (measurement of battery capacity)
A	Amperes (current)
Hz	Hertz (frequency, cycles per second)
W	Watt (power)
kg	Kilograms (weight)
min	Minutes (time)
s	Seconds (time)
∅	Diameter (size of drill bits, grinding wheels, etc.)
n_0	No load speed (rotational speed at no load)
n	Rated speed (maximum attainable speed)
.../min	Revolutions or reciprocation per minute (revolutions, strokes, surface speed, orbits etc. per minute)
0	Off position (zero speed, zero torque...)
1, 2, 3, ... I, II, III,	Selector settings (speed, torque or position settings. Higher number means greater speed)
	Infinitely variable selector with off (speed is increasing from 0 setting)
	Arrow (action in the direction of arrow)
	Alternating current (type or a characteristic of current)
	Direct current (type or a characteristic of current)
	Alternating or direct current (type or a characteristic of current)
	Class II construction (designates double insulated construction tools)
	Earthing terminal (grounding terminal)

Symbols

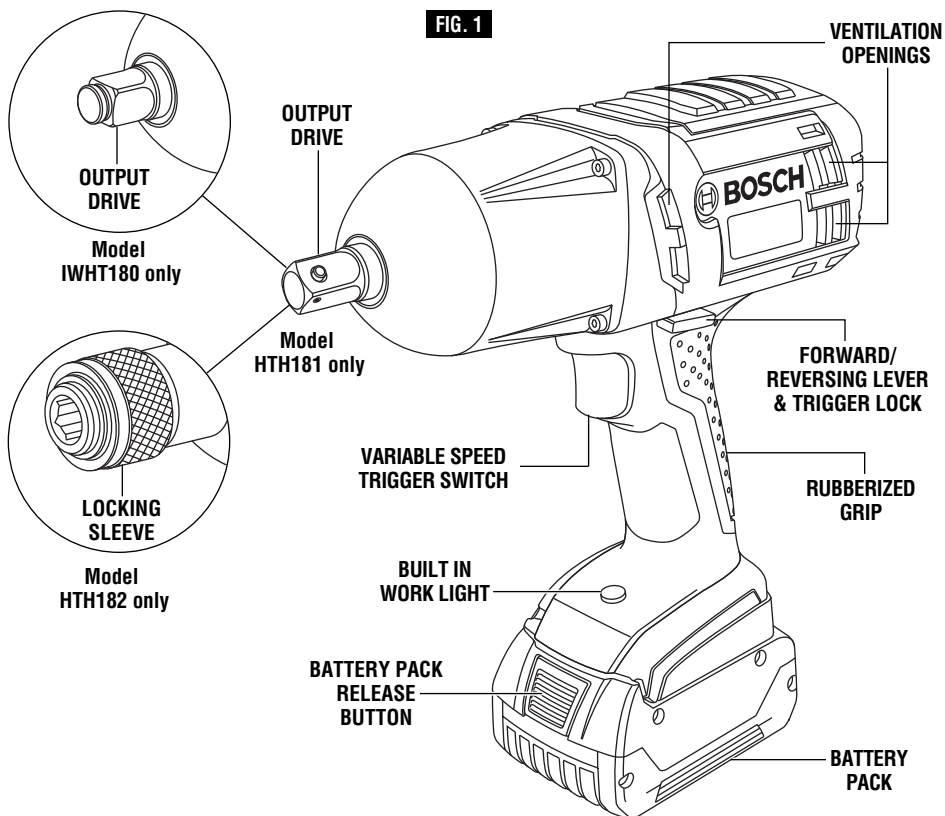
Important: Some of the following symbols may be used on your tool. Please study them and learn their meaning. Proper interpretation of these symbols will allow you to operate the tool better and safer.

Symbol	Designation / Explanation
	Designates Li-ion battery recycling program
	Designates Ni-Cad battery recycling program
	Alerts user to read manual
	Alerts user to wear eye protection
	This symbol designates that this tool is listed by Underwriters Laboratories.
	This symbol designates that this component is recognized by Underwriters Laboratories.
	This symbol designates that this tool is listed by Underwriters Laboratories, to United States and Canadian Standards.
	This symbol designates that this tool is listed by the Canadian Standards Association.
	This symbol designates that this tool is listed by the Canadian Standards Association, to United States and Canadian Standards.
	This symbol designates that this tool is listed by the Intertek Testing Services, to United States and Canadian Standards.
	This symbol designates that this tool complies to NOM Mexican Standards.

Functional Description and Specifications

⚠ WARNING Disconnect battery pack from tool before making any assembly, adjustments or changing accessories. Such preventive safety measures reduce the risk of starting the tool accidentally.

Cordless Impact Wrench IWHT180, HTH181, HTH182



Model number	IWHT180	HTH181	HTH182
Voltage rating	18 V ⁻⁻⁻	18 V ⁻⁻⁻	18 V ⁻⁻⁻
No load speed	n_0 0-1,900/min	n_0 0-1,900/min	n_0 0-1,900/min
Impact rate	0-2,100	0-2,100	0-2,100
Maximum Capacities			
Output drive	1/2" Square drive with friction ring	1/2" Square drive with detent pin	7/16" Hex-shank with power groove

Allowed ambient temperature

- during charging 32...113 °F (0...+45 °C)
- during operation/storage -4...122 °F (-20...+50 °C)

Battery Packs/Chargers

Please refer to the battery/charger list, included with your tool.

Assembly

⚠ WARNING Disconnect battery pack from tool before making any assembly, adjustments or changing accessories. Such preventive safety measures reduce the risk of starting the tool accidentally.

⚠ WARNING Attach only high quality accessories with the proper size square drive designed for use with impact wrenches.

INSERTING AND REMOVING ACCESSORIES

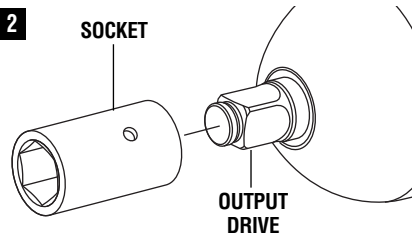
(Model IWHT180 only)

Your impact wrench is equipped with a 1/2" square drive with friction ring.

To install a socket, simply push socket completely onto output drive.

To remove, pull socket off output drive (Fig. 2).

FIG. 2



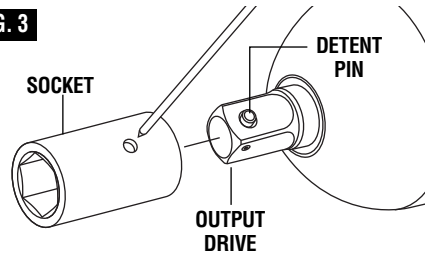
(Models HTH181 only)

Your impact wrench is equipped with a 1/2" square drive with detent pin.

To install a socket, depress detent pin and push socket completely onto output drive.

To remove, depress detent pin with a nail through hole in socket and pull socket off output drive (Fig. 3).

FIG. 3



(Model HTH182 only)

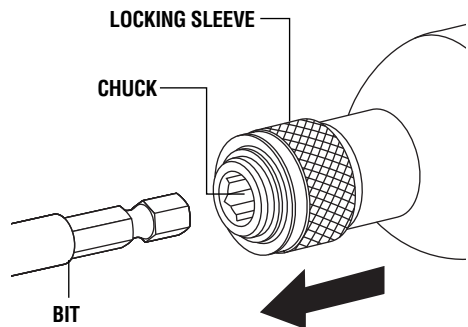
⚠ WARNING To avoid loss of control, ensure bit is locked in chuck by pulling on bit after it has been inserted.

The chuck accepts only standard 7/16" hexagonal shank accessories with power groove.

Your tool is equipped with a quick release chuck. To insert an accessory, simply pull locking sleeve forward, insert desired accessory into chuck and release locking sleeve (Fig. 4).

To remove an accessory, pull locking sleeve

FIG. 4



Operating Instructions

forward and simply remove it from the chuck.

VARIABLE SPEED CONTROLLED TRIGGER SWITCH

Your tool is equipped with a variable speed trigger switch. The tool can be turned "ON" or "OFF" by squeezing or releasing the trigger. The speed can be adjusted from the minimum to maximum nameplate RPM by the pressure you apply to the trigger. Apply more pressure to increase the speed and release pressure to decrease speed (Fig. 1).

FORWARD/REVERSING LEVER & TRIGGER LOCK

⚠ WARNING After tool use, lock trigger in "OFF" position to help prevent accidental starts and accidental discharge.

Your tool is equipped with a forward/reversing lever and trigger lock located above the trigger (Fig. 5). This lever was designed for changing rotation of the bit, and for locking the trigger in an "OFF" position.

For forward rotation, (with tool pointed away from you) move the lever to the far left.

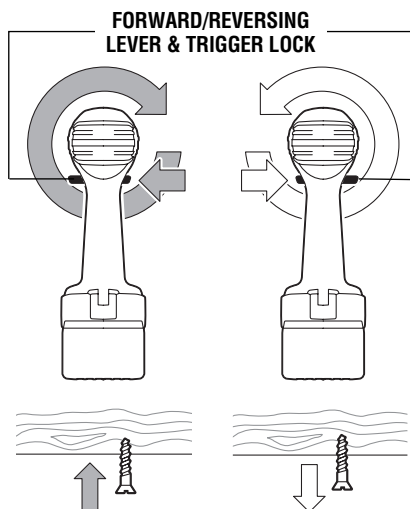
For reverse rotation move the lever to the far right. To activate trigger lock move lever to the center off position.

⚠ CAUTION Do not change direction of rotation until the tool comes to a complete stop. Shifting during rotation of the tool can cause damage to the tool.

BUILT IN WORK LIGHT

Your tool is also equipped with a light that turns on automatically when the switch is activated, for better visibility when driving (Fig. 1).

FIG. 5



Operating Instructions

Operating Tips

INSTALLING FASTENERS

To fasten: Start the fastener by hand on to or in to its threaded counter part (E.G. nut on to bolt, bolt in to nut or threaded hole).

Next, with the proper impact socket securely mounted to the wrench, slide the impact socket on to the nut or bolt head. Hold the tool securely with both hands and squeeze the trigger switch. The impact socket will turn the fastener and impacting will begin once the fastener encounters resistance. See the following chart to estimate the amount of impact time required to obtain a desired torque.

To loosen: With the proper impact socket securely mounted to the wrench, slide the impact socket on to the bolt head. (be sure the rotational direction is "reverse").

Hold the tool securely with both hands and squeeze the trigger switch. The tool will start to impact immediately. Once the fastener has "broken loose" it will start to unthread. Be careful that you do not allow a fastener to spin freely once it is no longer engaged with the other threaded part as it may be thrown out of the socket.

TIGHTENING TORQUE

The tightening torque depends on the duration of the impacting/tightening action. The largest tightening torque is achieved after approx. 6 to 10 Sec. impacting/tightening action.

The torque build-up depends on the following factors:

- Hardness of the bolts/nuts.
- Type of washer (disk washer, spring washer, seal).
- Hardness of the material to be joined.
- Lubricating effect at the surfaces of the junction.

This leads to the following application cases:

Hard case: The joining of metal to metal with a disk washer. The maximum torque is reached after a relative short impacting/tightening action.

Medium case: The joining of metal to metal where spring ring washer, disk spring washer, stud bolts or bolts/nuts with conical seats are used.

Soft case: The joining of e.g. metal to wood or insulation material.

For middle or soft joining cases, the maximum tightening torque is less as for hard cases. Therefore, a longer impacting/tightening action is necessary to arrive at the maximum tightening torque.

COLD WEATHER USE (32°F)

Due to the lubrication used in the impacting mechanism, the tool should be run for three minutes at no load prior to actual usage. This will warm the lubricant and provide better performance.

INSERTING AND RELEASING BATTERY PACK

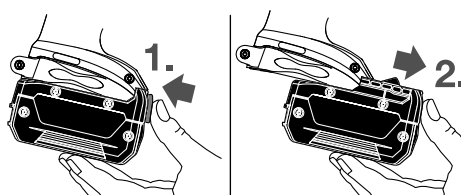
Set Forward/Reversing lever to the center (off position). Slide charged battery pack into the housing until the battery pack locks into position (Fig. 6)

Your tool is equipped with a secondary locking latch to prevent the battery pack from completely falling out of the handle, should it become loose due to vibration.

To remove the battery pack, press the battery pack release button and slide the battery pack forward.

Press the battery pack release button again and slide the battery pack completely out of tool housing (Fig. 6).

FIG. 6



Maintenance

⚠ WARNING To avoid accidents, always disconnect the tool and/or charger from the power supply before servicing or cleaning.

Service

⚠ WARNING **NO USER SERVICE-ABLE PARTS INSIDE.** Preventive maintenance performed by unauthorized personnel may result in misplacing of internal wires and components which could cause serious hazard. We recommend that all tool service be performed by a Bosch Factory Service Center or Authorized Bosch Service Station. **SERVICEMEN:** Disconnect tool and/or charger from power source before servicing.

BATTERIES

Be alert for battery packs that are nearing their end of life. If you notice decreased tool performance or significantly shorter running time between charges then it is time to replace the battery pack. Failure to do so can cause the tool to operate improperly or damage the charger.

TOOL LUBRICATION

Your Bosch tool has been properly lubricated and is ready for use.

D.C. MOTORS

The motor in your tool has been engineered for many hours of dependable service. To maintain peak efficiency of the motor, we recommend it be examined every six months. Only a genuine Bosch replacement motor specially designed for your tool should be used.

BEARINGS

Bearings which become noisy (due to heavy load or very abrasive material cutting) should be replaced at once to avoid overheating and motor failure.

Cleaning

⚠ CAUTION **Certain cleaning agents and solvents damage plastic parts.** Some of these are: gasoline, carbon tetrachloride, chlorinated cleaning solvents, ammonia and household detergents that contain ammonia.

Ventilation openings and switch levers must be kept clean and free of foreign matter. Do not attempt to clean by inserting pointed objects through opening.

Accessories





* Carrying case

(* = standard equipment)

(** = optional accessories)

Symboles relatifs à la sécurité

Les définitions ci-dessous décrivent le niveau de gravité pour chaque terme signalant un danger. Veuillez lire le mode d'emploi et lire la signification de ces symboles.

	C'est le symbole d'alerte relatif à la sécurité. Il est utilisé pour vous avertir de l'existence possible d'un danger de lésion corporelle. Obéissez à tous les messages relatifs à la sécurité qui suivent ce symbole pour éviter tout risque de blessure ou même de mort.
	DANGER indique une situation dangereuse qui, si elle n'est pas évitée, causera la mort d'une personne ou une blessure grave.
	AVERTISSEMENT indique une situation dangereuse qui, si elle n'est pas évitée, pourrait causer la mort d'une personne ou une blessure grave.
	MISE EN GARDE indique une situation dangereuse qui, si elle n'est pas évitée, causera une blessure légère ou modérée.

Avertissements généraux concernant la sécurité des outils électroportatifs

AVERTISSEMENT Lisez toutes les consignes de sécurité, instructions, illustrations et spécifications fournies avec cet outil électrique. Le non-respect de toutes les instructions figurant ci-après pourrait causer un choc électrique, un incendie et/ou des blessures graves.

CONSERVEZ TOUS LES AVERTISSEMENTS ET TOUTES LES CONSIGNES DE SÉCURITÉ POUR RÉFÉRENCE FUTURE.

Dans les avertissements, le terme « outil électroportatif » se rapporte à votre outil branché sur le secteur (avec fil) ou à votre outil alimenté par piles (sans fil).

► Sécurité du lieu de travail

Maintenez le lieu de travail propre et bien éclairé. Les risques d'accident sont plus élevés quand on travaille dans un endroit encombré ou sombre.

N'utilisez pas d'outils électroportatifs dans des atmosphères explosives, comme par exemple en présence de gaz, de poussières ou de liquides inflammables. Les outils électroportatifs produisent des étincelles qui risquent d'enflammer les poussières ou les vapeurs.

Éloignez les enfants et les visiteurs quand vous vous servez d'un outil électroportatif. Vous risquez une perte de contrôle si on vous distrait.

► Sécurité électrique

Les fiches des outils électroportatifs doivent correspondre à la prise. Il ne faut absolument jamais modifier la fiche. N'utilisez pas d'adaptateur de prise avec des outils électroportatifs munis d'une

fiche de terre. Le risque de choc électrique est moindre si on utilise une fiche non modifiée sur une prise qui lui correspond.

Évitez tout contact du corps avec des surfaces reliées à la terre tels que tuyaux, radiateurs, gazinières ou réfrigérateurs. Le risque de choc électrique augmente si votre corps est relié à la terre.

N'exposez pas les outils électroportatifs à la pluie ou à l'humidité. Si de l'eau pénètre dans un outil électroportatif, le risque de choc électrique augmente.

Ne maltraitez pas le cordon. Ne vous en servez jamais pour transporter l'outil électroportatif, pour le tirer ou pour le débrancher. Éloignez le cordon de la chaleur, des huiles, des arêtes coupantes ou des pièces mobiles. Les cordons abîmés ou emmêlés augmentent les risques de choc électrique.

Si vous utilisez un outil électroportatif à l'extérieur, employez une rallonge conçue pour l'extérieur. Ces rallonges sont faites pour l'extérieur et réduisent le risque de choc électrique.

Avertissements généraux concernant la sécurité des outils électroportatifs

Si il est absolument nécessaire d'utiliser l'outil électroportatif dans un endroit humide, utilisez une alimentation protégée par un disjoncteur de fuite de terre (GFCI). L'utilisation d'un disjoncteur GFCI réduit les risques de choc électrique.

► Sécurité personnelle

Restez concentré, faites attention à ce que vous faites, et servez-vous de votre bon sens lorsque vous utilisez un outil électroportatif. N'employez pas d'outils électroportatifs quand vous êtes fatigué ou sous l'emprise de drogues, d'alcool ou de médicaments. Quand on utilise des outils électroportatifs, il suffit d'un moment d'inattention pour causer des blessures corporelles graves.

Utilisez des équipements de sécurité personnelle. Portez toujours une protection oculaire. Le port d'équipements de sécurité tels que des masques antipoussières, des chaussures de sécurité antidérapantes, des casques de chantier et des protecteurs d'oreilles dans des conditions appropriées réduira le risque de blessure corporelle.

Évitez les démarrages intempestifs. Assurez-vous que l'interrupteur est dans la position arrêt (Off) avant de brancher l'outil dans une prise de courant et/ou un bloc-piles, de le ramasser ou de le transporter. Le transport d'un outil électroportatif avec le doigt sur la gâchette ou le branchement de cet outil quand l'interrupteur est en position de marche (ON) est une invite aux accidents.

Enlevez toutes les clés de réglage avant de mettre l'outil électroportatif en marche. Si on laisse une clé sur une pièce tournante de l'outil électroportatif, il y a risque de blessure corporelle.

Ne vous penchez pas. Conservez toujours une bonne assise et un bon équilibre. Ceci vous permettra de mieux maîtriser l'outil électroportatif dans des situations inattendues.

Habilitez-vous de manière appropriée. Ne portez pas de vêtements amples ou de bijoux. Attachez les cheveux longs. N'approchez pas les cheveux, les vêtements ou les gants des pièces en mouvement. Les vêtements amples, les bijoux ou les cheveux longs risquent d'être happés par les pièces en mouvement.

Si l'outil est muni de dispositifs permettant le raccordement d'un système d'aspiration et de collecte des poussières, assurez-vous que ces dispositifs sont raccordés et utilisés correctement. L'utilisation d'un dépoussiéreur peut réduire les dangers associés à l'accumulation de poussière.

Ne laissez pas la familiarité résultant de l'utilisation fréquente des outils vous inciter à devenir complaisant(e) et à ignorer les principes de sécurité des outils. Une action négligente pourrait causer des blessures graves en une fraction de seconde.

► Utilisation et entretien des outils électroportatifs

Ne forcez pas sur l'outil électroportatif. Utilisez l'outil électroportatif qui convient à la tâche à effectuer. L'outil qui convient à la tâche fait un meilleur travail et est plus sûr à la vitesse pour lequel il a été conçu.

Ne vous servez pas de l'outil électroportatif si son interrupteur ne parvient pas à le mettre en marche ou à l'arrêter. Tout outil électroportatif qui ne peut pas être commandé par son interrupteur est dangereux et doit être réparé.

Débranchez la fiche de la prise secteur et/ou retirez le bloc-piles de l'outil électrique (s'il est amovible) avant d'y apporter de quelconques modifications, de changer d'accessoire ou de ranger l'outil électrique. De telles mesures de sécurité préventive réduisent le risque de démarrage intempestif de l'outil électroportatif.

Rangez les outils électroportatifs dont vous ne vous servez pas hors de portée des enfants et ne permettez pas à des personnes qui ne connaissent pas l'outil électroportatif ou qui ignorent ces consignes de s'en servir. Les outils électroportatifs sont dangereux dans les mains d'utilisateurs inexpérimentés.

Entretenez de façon appropriée les outils électriques et les accessoires. Assurez-vous que les pièces en mouvement sont bien alignées et qu'elles ne se coincent pas, qu'il n'y a pas de pièces cassées ou qu'il n'existe aucune situation pouvant affecter le fonctionnement de l'outil électrique. Si l'outil électrique est endommagé, faites-le réparer avant de

Avertissements généraux concernant la sécurité des outils électroportatifs

vous en servir à nouveau. Les outils coupants entretenus correctement et dotés de bords tranchants affûtés sont moins susceptibles de coincer et sont plus faciles à maîtriser.

Utilisez l'outil électroportatif, les accessoires et les embouts d'outil, etc. conformément à ces instructions, en tenant compte des conditions de travail et des travaux à réaliser. L'emploi d'outils électroportatifs pour des tâches différentes de celles pour lesquelles ils ont été prévus peut résulter en une situation dangereuse.

Gardez les poignées et les surfaces de préhension propres, sèches et exemptes de toute trace d'huile ou de graisse. Les poignées et les surfaces de préhension glissantes ne permettent pas une manipulation et un contrôle sûrs de l'outil dans des situations inattendues.

► Utilisation et entretien des outils à piles

Rechargez les piles uniquement avec le chargeur spécifié par le fabricant. Un chargeur qui convient à un type de bloc-piles peut entraîner un risque d'incendie quand il est utilisé avec un autre bloc-piles.

Utilisez des outils électroportatifs uniquement avec les bloc-piles spécifiquement désignés pour eux. L'utilisation de tout autre bloc-piles peut créer un risque de blessures et d'incendie.

Lorsque le bloc-piles n'est pas utilisé, gardez-le à distances d'autres objets métalliques tels que des trombones, des pièces de monnaie, des clés, des clous, des vis ou de tout autre objet métallique pouvant faire une connexion entre une borne et une autre. Court-circuiter les bornes des piles peut causer des brûlures

ou un incendie.

Dans des conditions abusives, du liquide peut être éjecté de la pile ; dans un tel cas, évitez tout contact avec ce liquide. Si un contact se produit accidentellement, rincez avec de l'eau. Si le liquide entre en contact avec les yeux, consultez un médecin. Du liquide éjecté de la pile peut causer des irritations ou des brûlures.

N'utilisez pas un bloc-piles ou un outil qui est endommagé ou a été modifié. Des piles endommagées ou modifiées peuvent se comporter de façon imprévisible et causer un incendie ou une explosion, ou entraîner des blessures.

N'exposez pas un bloc-piles ou un outil à un incendie ou à une température excessive. L'exposition à un incendie ou à une température supérieure à 265° F (130° C) pourrait causer une explosion.

Suivez toutes les instructions relatives à la charge et ne chargez pas le bloc-piles ou l'outil en dehors de la plage de température indiquée dans les instructions. Une charge dans des conditions appropriées ou à des températures en dehors de la plage spécifiée pourrait endommager les piles et augmenter le risque d'incendie.

► Entretien

Faites réparer votre outil électroportatif par un agent de service qualifié n'utilisant que des pièces de rechange identiques. Ceci assure que la sécurité de l'outil électroportatif est préservée.

Ne tentez jamais de réparer des blocs-piles endommagés. La réparation de blocs-piles ne doit être effectuée que par le fabricant ou un prestataire de services agréé.

Consignes de sécurité pour les clés à chocs sans fil

Tenez l'outil électroportatif par ses surfaces de préhension isolées lorsque vous effectuez une opération à l'occasion de laquelle l'outil de fixation risque d'entrer en contact avec un fil caché. Tout contact d'un outil de fixation avec un fil sous tension risque de mettre aussi sous tension les parties métalliques exposées de l'outil électroportatif, ce qui pourrait causer un choc électrique pour l'opérateur.

Sécurisez l'outil de façon appropriée avant de l'utiliser. Cet outil produit un couple de sortie élevé

et, si l'outil n'est pas sécurisé correctement pendant le fonctionnement, une perte de contrôle peut se produire et entraîner des blessures corporelles.

Utilisez des brides ou d'autres moyens pratiques de brider ou de supporter la pièce sur une plate-forme stable. Tenir la pièce à la main ou contre le corps est instable et risque de résulter en une perte de contrôle.

Ne percez, fixez et ne rentrez pas dans des murs existants ou autres endroits aveugles pouvant abriter

des fils électriques. Si cette situation est inévitable, débranchez tous les fusibles ou les disjoncteurs alimentant ce site.

Portez toujours des lunettes de sécurité ou une protection des yeux lors de l'utilisation de cet outil.

Portez un serre-tête antibruit lorsque vous utilisez l'outil pendant des périodes prolongées. L'exposition prolongée à un bruit de haute intensité peut causer une perte auditive.

Utilisez des gants rembourrés épais et limitez le temps d'exposition en prenant des pauses fréquentes. Les vibrations causées par l'action du marteau-perceuse peuvent être nocives pour vos mains et vos bras.

Immobilisez le matériel vissé. Ne le tenez jamais dans la main ou sur les jambes. Un support instable peut provoquer une perte de contrôle et des blessures.

Évitez une mise en marche accidentelle. Veillez à mettre le contacteur de marche avant/marche arrière sur arrêt avant d'introduire le bloc-piles. Le fait de porter des appareils avec le doigt sur le contacteur ou l'introduction du bloc-piles dans l'appareil avec le contacteur sur marche est propice aux accidents.

Retirez le bloc-piles avant de changer d'accessoire. Un démarrage accidentel peut se produire avec les appareils à piles dont le bloc-piles est introduit alors qu'il est sur marche.

Prévoyez un couple de réaction lors de la « mise en place » ou le retrait de visserie. Le carter de la visseuse peut avoir tendance à tourner dans le sens inverse à la rotation de l'embout lors de la « mise en place » ou du retrait de la visserie en fonction du couple réglé de l'outil.

N'utilisez pas de douilles à chocs ou d'accessoires émoussés ou endommagés. Lors de l'installation d'un accessoire, introduisez bien la douille à choc dans l'entraînement de sortie. Assurez-vous que l'entraînement de sortie est correctement verrouillé sur la douille.

Ne faites pas fonctionner l'outil lorsque vous le portez sur le côté. Un embout tournant peut se prendre dans les vêtements et provoquer des blessures.

Placez l'outil sur la visserie seulement lorsque la visseuse est arrêtée. Les visseuses tournantes peuvent glisser de la visserie.

N'utilisez pas cet outil en tant que perceuse. Les outils équipés de débrayage ne sont pas conçus pour le perçage. L'entraînement de sortie risque de se déclencher automatiquement et sans avertissement.

Faites preuve de prudence lors du vissage de longues vis, il y a un risque de dérapage de la tête de la vis selon le type de douille ou d'embout utilisé. Essayez d'abord la longueur d'arrêt de la vis et faites attention pendant le vissage afin de vous assurer de ne pas vous blesser si l'embout ou la douille dérape de la vis.

Avertissements supplémentaires concernant la sécurité

L'emploi d'un GFCI et de dispositifs de protection personnelle tels que gants et chaussures d'électricien en caoutchouc améliorent votre sécurité personnelle.

N'utilisez pas un outil conçu uniquement pour le C.A. sur une alimentation en C.C. Même si l'outil semble fonctionner, les composants électriques d'un outil prévu pour le C.A. tomberont probablement en panne et risquent de créer un danger pour l'utilisateur.

Maintenez les poignées sèches et exemptes d'huile et de graisse. On ne pas maîtriser un outil électroportatif en toute sécurité quand on a les mains glissantes.

Créez un agenda d'entretien périodique pour votre outil. Quand vous nettoyez un outil, faites attention de n'en démonter aucune pièce car il est toujours possible de mal remonter ou de pincer les fils internes ou de remonter incorrectement les ressorts de rappel des capots de protection. Certains agents de nettoyage tels que l'essence, le tétrachlorure de carbone, l'ammoniaque, etc. risquent d'abîmer les plastiques.

Veillez à ce que l'interrupteur soit dans la position de fermeture avant d'insérer le bloc-piles. L'insertion d'un bloc-piles dans un outil électroportatif dont

l'interrupteur est dans la position de marche est une invite aux accidents.

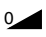



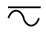


⚠ AVERTISSEMENT Les travaux à la machine tel que ponçage, sciage, meulage, perçage et autres travaux du bâtiment peuvent créer des poussières contenant des produits chimiques qui sont des causes reconnues de cancer, de malformation congénitale ou d'autres problèmes reproductifs. Ces produits chimiques sont, par exemple :

- Le plomb provenant des peintures à base de plomb,
- Les cristaux de silices provenant des briques et du ciment et d'autres produits de maçonnerie, et
- L'arsenic et le chrome provenant des bois traités chimiquement.

Le niveau de risque dû à cette exposition varie avec la fréquence de ces types de travaux. Pour réduire l'exposition à ces produits chimiques, il faut travailler dans un lieu bien ventilé et porter un équipement de sécurité approprié tel que certains masques à poussière conçus spécialement pour filtrer les particules microscopiques.

Symboles

Important : Certains des symboles suivants peuvent être utilisés sur votre outil. Veuillez les étudier et apprendre leur signification. Une interprétation appropriée de ces symboles vous permettra d'utiliser l'outil de façon plus efficace et plus sûre.

Symbole	Désignation / Explication
V	Volts (voltage)
Ah	Ampères/heure (mesure de la capacité de la pile)
A	Ampères (courant)
Hz	Hertz (fréquence, cycles par seconde)
W	Watt (puissance)
kg	Kilogrammes (poids)
min	Minutes (temps)
s	Seconds (temps)
∅	Diamètre (taille des mèches de perceuse, meules, etc.)
n_0	Vitesse à vide (vitesse de rotation, à vide)
n	Vitesse nominale (vitesse maximum pouvant être atteinte)
.../min	Tours ou mouvement alternatif par minute (tours, coups, vitesse en surface, orbites, etc., par minute)
0	Position d'arrêt (vitesse zéro, couple zéro ...)
1, 2, 3, ... I, II, III,	Réglages du sélecteur (Réglages de vitesse, de couple ou de position. Un nombre plus élevé signifie une vitesse plus grande)
	Sélecteur variable à l'infini avec arrêt (La vitesse augmente depuis le réglage 0)
	Flèche (action dans la direction de la flèche)
	Courant alternatif (type ou caractéristique du courant)
	Courant continu (type ou caractéristique du courant)
	Courant alternatif ou continu (type ou caractéristique du courant)
	Construction classe II (désigne des outils construits avec double isolation)
	Borne de terre (borne de mise à la terre)

Symboles

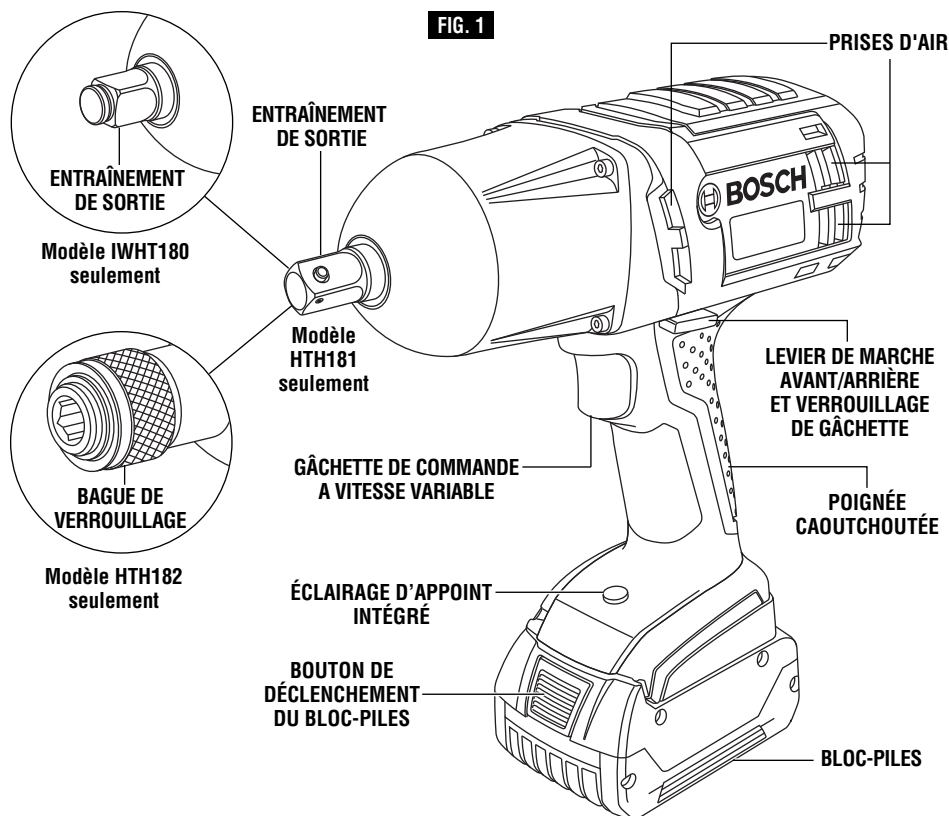
Important : Certains des symboles suivants peuvent être utilisés sur votre outil. Veuillez les étudier et apprendre leur signification. Une interprétation appropriée de ces symboles vous permettra d'utiliser l'outil de façon plus efficace et plus sûre.

Symbole	Désignation / Explication
	Désigne le programme de recyclage des piles Li-ion.
	Désigne le programme de recyclage des piles Ni-Cad.
	Alerte l'utilisateur pour lire le mode d'emploi
	Alerte l'utilisateur pour porter des lunettes de sécurité
	Ce symbole signifie que cet outil est approuvé par Underwriters Laboratories.
	Ce symbole indique que ce composant est reconnu par Underwriters Laboratories.
	Ce symbole signifie que cet outil est approuvé par Underwriters Laboratories selon les normes des États-Unis et du Canada.
	Ce symbole signifie que cet outil est approuvé par l'Association canadienne de normalisation.
	Ce symbole signifie que cet outil est approuvé par l'Association canadienne de normalisation selon les normes des États-Unis et du Canada.
	Ce symbole signifie que cet outil est approuvé par Intertek Testing Services selon les normes des États-Unis et du Canada
	Ce symbole signifie que cet outil se conforme aux normes mexicaines NOM.

Description fonctionnelle et spécifications

AVERTISSEMENT Débranchez le bloc-piles de l'outil avant d'effectuer tout assemblage ou réglage, ou de changer des accessoires. Ces mesures de sécurité préventives réduisent le risque d'une mise en marche accidentelle de l'outil.

Clé à chocs sans fil IWHT180, HTH181, HTH182



Numéro de modèle	IWHT180	HTH181	HTH182
Tension nominale	18 V ⁻⁻⁻	18 V ⁻⁻⁻	18 V ⁻⁻⁻
Régime à vide	n ₀ 0-1 900/min	n ₀ 0-1 900/min	n ₀ 0-1 900/min
Taux de percussion	0-2 100	0-2 100	0-2 100
Capacités maximales			
Entraînement de sortie	Carré d'entraînement de 1/2 po avec bague de frottement	Carré d'entraînement de 1/2 po avec étoile	Queue hexagonale de 7/16 po avec gorge de blocage

Température ambiante autorisée

- pendant la charge 32...113 °F (0...+45 °C)
- pendant le fonctionnement / le stockage -4...122 °F (-20...+50 °C)

Bloc-piles/chargeurs

Veillez vous référer à la liste des piles/chargeurs accompagnant votre outil.

Assemblage

⚠ AVERTISSEMENT Débranchez le bloc-piles de l'outil avant d'effectuer tout assemblage ou réglage, ou de changer des accessoires. Ces mesures de sécurité préventives réduisent le risque d'une mise en marche accidentelle de l'outil.

⚠ AVERTISSEMENT N'utilisez que des accessoires de haute qualité avec un carré d'entraînement de taille exacte conçu pour utilisation avec les clés à chocs.

INSERTION ET RETRAIT DES ACCESSOIRES

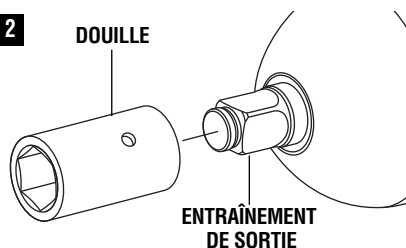
(Modèle IWHT180 seulement)

Votre clé à chocs est équipée d'un carré d'entraînement de 1/2 po avec bague de frottement.

Pour installer une douille, il suffit de pousser la douille complètement sur l'entraînement de sortie.

Pour la faire sortir, tirez sur la douille pour la faire sortir de l'entraînement de sortie (Fig. 2).

FIG. 2



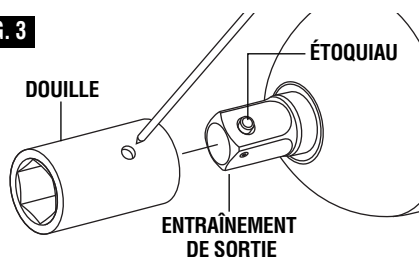
(Modèle HTH181 seulement)

Votre clé à chocs est équipée d'un carré d'entraînement de 1/2 po avec étoquiau.

Pour installer une douille, appuyez sur l'étoquiau et poussez la douille complètement sur l'entraînement de sortie.

Pour la faire sortir, appuyez sur l'étoquiau en faisant passer un clou dans le trou de la douille et tirez sur la douille pour la faire sortir de l'entraînement de sortie (Fig. 3).

FIG. 3



(Modèle HTH182 seulement)

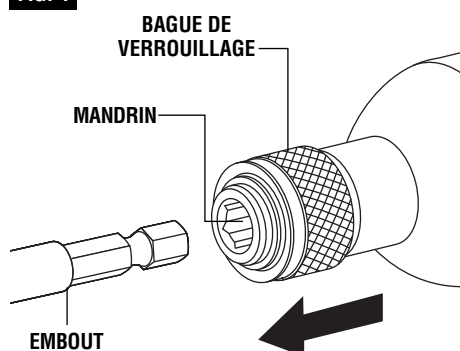
⚠ AVERTISSEMENT Pour éviter de perdre le contrôle de l'embout, assurez-vous qu'il est bien verrouillé dans le mandrin en tirant dessus après l'avoir inséré.

Le mandrin n'accepte que des queues hexagonales standard de 7/16 de po avec gorge de blocage.

Votre outil est muni d'un mandrin à ouverture rapide. Pour insérer un accessoire, il suffit de tirer la bague de verrouillage vers l'avant, d'insérer l'accessoire dans le mandrin et d'ouvrir la bague (Fig. 4).

Pour retirer un accessoire, il suffit de tirer la bague de verrouillage vers l'avant et de sortir l'accessoire du mandrin.

FIG. 4



Consignes de fonctionnement

GÂCHETTE DE COMMANDE A VITESSE VARIABLE

Votre outil est équipé d'une gâchette de commande à vitesse variable. Vous pouvez mettre le tournevis en marche ou à l'arrêt en appuyant sur la gâchette ou en la relâchant, suivant le cas. En fonction de la pression exercée sur la gâchette, il est possible de régler la vitesse dans les limites minimale et maximale spécifiées sur la plaquette emblématique. Exercez plus de pression pour augmenter la vitesse et moins pour la diminuer (Fig. 1).

LEVIER DE MARCHE AVANT/ARRIÈRE ET VERROUILLAGE DE GÂCHETTE

⚠ AVERTISSEMENT Après avoir utilisé l'outil, verrouillez la gâchette en position d'arrêt pour éviter les risques de démarrage accidentel et de décharge accidentelle.

Votre outil est équipé d'un levier de marche avant/arrière et d'un verrouillage de gâchette se trouvant au-dessus de la gâchette (Fig. 5). Ce levier a été conçu de manière à changer la rotation de l'embout et verrouiller la gâchette en position d'arrêt.

Pour la rotation avant (avec l'outil étant dirigé en sens opposé à vous), déplacez le levier à l'extrême gauche.

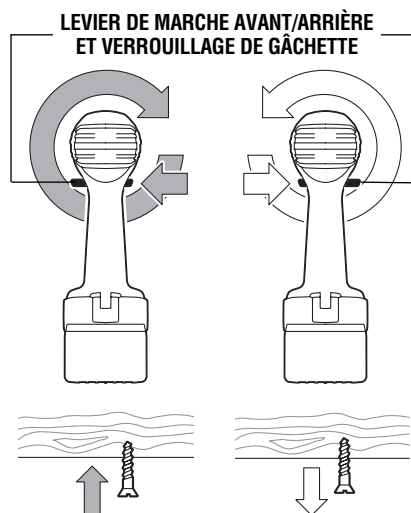
Pour la rotation inverse, déplacez le levier à l'extrême droite. Pour actionner le verrouillage de gâchette, déplacez le levier à la position centrale (arrêt).

⚠ MISE EN GARDE Ne changez pas le sens de rotation avant que l'outil ne se soit complètement immobilisé. Un changement durant la rotation de l'outil pourrait endommager l'outil.

ÉCLAIRAGE D'APPOINT INTÉGRÉ

Votre outil est également doté d'une lampe qui s'allume automatiquement quand on appuie sur la gâchette pour améliorer la visibilité lors du perçage/vissage (Fig. 1).

FIG. 5



Consignes de fonctionnement

Consignes de fonctionnement

POSE DES ATTACHES

Pour fixer : commencez l'attache à la main avec le pendant fileté (par exemple, écrou sur boulon, boulon dans écrou ou trou fileté).

Ensuite, après avoir installé correctement la douille à chocs appropriée sur la clé, faites glisser la douille à chocs sur la tête du boulon ou sur l'écrou. Tenez l'outil solidement des deux mains et appuyez sur la gâchette de commande. La douille à chocs fera tourner l'attache, et l'impact commencera lorsque l'attache rencontrera de la résistance. Reportez-vous au tableau ci-après pour estimer le temps d'impact nécessaire à l'obtention du couple désiré.

Pour desserrer : une fois la douille à chocs appropriée montée solidement sur la clé, faites glisser la douille à chocs sur la tête du boulon (assurez-vous que le sens de rotation est « reverse »).

Tenez l'outil solidement des deux mains et appuyez sur la gâchette de commande. L'impact de l'outil commencera immédiatement. Une fois l'attache « délogée », elle commencera à se desserrer. Veillez à ne pas laisser une attache tourner librement lorsqu'elle n'est plus engagée avec l'autre pièce filetée, car elle risquerait alors d'être éjectée de la douille.

COUPLE DE SERRAGE

Le couple de serrage dépend de la durée de l'action de percussion/serrage. Le couple de serrage le plus élevé est obtenu après environ 6 à 10 secondes d'action de percussion/serrage.

L'augmentation du couple dépend des facteurs suivants:

- Dureté des boulons/écrous
- Type de rondelle (rondelle à disque, rondelle frein, joint)
- Dureté du matériau à réunir
- Effet de lubrification sur les surfaces de la jonction

Ceci nous amène aux cas d'application suivants :

Cas dur : Jonction métal-métal à l'aide d'une rondelle à disque. Le couple maximum est atteint après une action relativement brève de percussion/serrage.

Cas moyen : Jonction métal-métal où une rondelle frein annulaire, une rondelle frein à disque, des boulons d'ancrage ou des boulons/écrous avec cales coniques sont employés.

Cas doux : Jonction de métal à du bois ou à un matériau d'isolation, par exemple.

Pour les cas moyen ou doux de jonction, le couple de serrage maximal est inférieur à celui des cas durs. Par conséquent, une action plus longue de percussion/serrage est nécessaire pour obtenir le couple de serrage maximal.

UTILISATION PAR TEMPS FROID (0 °C)

Étant donné que le mécanisme d'impact est graissé, il faut laisser l'outil tourner pendant trois minutes sans charge avant l'utilisation effective. Ceci réchauffera le lubrifiant et assurera une meilleure performance.

INSERTION ET RETRAIT DU BLOC-PILES

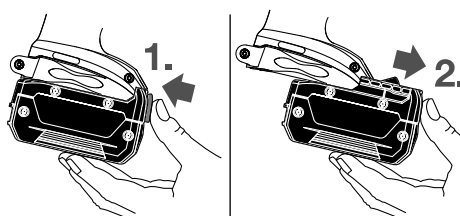
Mettez le levier de marche avant/arrière au centre (en position d'arrêt). Faites glisser le bloc-piles chargé dans le bâti jusqu'à ce que le bloc-piles se bloque en position (Fig. 6).

Votre outil est muni d'un loquet de verrouillage secondaire qui empêche le bloc-piles de se séparer complètement de la poignée et de tomber au cas où il viendrait à se décrocher à cause des vibrations.

Pour retirer le bloc-piles, appuyez sur le bouton de déclenchement du bloc-piles et faites glisser le bloc-piles vers l'avant.

Appuyez une fois de plus sur le bouton de déclenchement du bloc-piles et faites glisser le bloc-piles jusqu'à ce qu'il sorte complètement du bâti de l'outil (Fig. 6).

FIG. 6



Entretien

⚠ AVERTISSEMENT Pour éviter les accidents, débranchez toujours l'outil et/ou le chargeur de sa source d'alimentation secteur avant toute opération de maintenance ou de nettoyage.

Service

⚠ AVERTISSEMENT IL N'EXISTE À L'INTÉRIEUR AUCUNE PIÈCE SUSCEPTIBLE D'ÊTRE ENTRETENUE PAR L'UTILISATEUR. L'entretien préventif exécuté par des personnes non autorisés peut entraîner un positionnement erroné des composants et des fils internes, ce qui peut présenter de graves dangers. Nous recommandons de confier toute intervention d'entretien sur l'outil à un centre de service-usine Bosch ou à un centre de service après-vente Bosch agréé. **TECHNICIENS** : Débranchez l'outil et/ou le chargeur de la source de courant avant d'entretenir.

PILES

Faire attention aux blocs-piles qui approchent la fin de leur vie. Si vous remarquez une diminution dans les performances de votre outil ou une durée de fonctionnement réduite de manière significative entre charges, il est temps de remplacer le bloc-piles. S'il n'est pas remplacé, il se peut qu'il endommage le chargeur ou que l'outil fonctionne incorrectement.

GRAISSAGE DE L'OUTIL

Votre outil Bosch a été graissé de manière appropriée et il est prêt à l'usage.

MOTEURS C.C.

Le moteur de votre outil a été conçu pour de nombreuses heures d'utilisation fiable. Pour maintenir l'efficacité maximale du moteur, nous recommandons de l'examiner tous les six mois. Seul un moteur de remplacement Bosch authentique, conçu spécialement pour votre outil, doit être utilisé.

ROULEMENTS

Les roulements qui deviennent bruyants (en raison d'une charge importante ou de la coupe de matériaux très abrasifs) doivent être remplacés immédiatement pour éviter la surchauffe et les défaillances du moteur.

Nettoyage

⚠ MISE EN GARDE Certains agents de nettoyages et certains dissolvants abiment les pièces en plastique. Parmi ceux-ci se trouvent: l'essence, le tétrachlorure de carbone, les dissolvants de nettoyage chlorés, l'ammoniaque ainsi que les détergents domestiques qui en contiennent.

Gardez les prises d'air et les interrupteurs propres et libres de débris. N'essayez pas de les nettoyer en introduisant des objets pointus dans leurs ouvertures.

Accessoires





* Étui

(* = équipement standard)

(** = accessoire en option)

Símbolos de seguridad

Las definiciones que aparecen a continuación describen el nivel de gravedad de cada palabra de señal de seguridad. Por favor, lea el manual y preste atención a estos símbolos.

	<p>Éste es el símbolo de alerta de seguridad. Se utiliza para alertarle a usted de posibles peligros de lesiones corporales. Obedezca todos los mensajes de seguridad que sigan a este símbolo para evitar posibles lesiones o muerte.</p>
	<p>PELIGRO indica una situación peligrosa que, si no se evita, causará la muerte o lesiones graves.</p>
	<p>ADVERTENCIA indica una situación peligrosa que, si no se evita, podría causar la muerte o lesiones graves.</p>
	<p>PRECAUCION indica una situación peligrosa que, si no se evita, podría causar lesiones leves o moderadas.</p>

Advertencias generales de seguridad para herramientas mecánicas

ADVERTENCIA Lea todas las advertencias de seguridad, instrucciones, ilustraciones y especificaciones suministradas con esta herramienta eléctrica. Si no se siguen todas las instrucciones que se indican a continuación, es posible que el resultado sea descargas eléctricas, incendio y/o lesiones graves.

GUARDE TODAS LAS ADVERTENCIAS E INSTRUCCIONES PARA REFERENCIA FUTURA

La expresión "herramienta mecánica" en las advertencias se refiere a su herramienta mecánica alimentada por la red eléctrica (herramienta alámbrica) o su herramienta mecánica alimentada por baterías (herramienta inalámbrica).

► Seguridad del área de trabajo

Mantenga el área de trabajo limpia y bien iluminada. Las áreas desordenadas u oscuras invitan a que se produzcan accidentes.

No utilice herramientas mecánicas en atmósferas explosivas, como por ejemplo en presencia de líquidos, gases o polvos inflamables. Las herramientas mecánicas generan chispas que pueden incendiar el polvo o los vapores.

Mantenga alejados a los niños y a las personas que estén presentes mientras esté utilizando una herramienta mecánica. Las distracciones pueden hacerle perder el control de la herramienta.

► Seguridad eléctrica

Los enchufes de las herramientas mecánicas deben coincidir con el tomacorriente. No modifique nunca el enchufe de ningún modo. No use enchufes adaptadores con herramientas mecánicas conectadas a tierra (puestas a tierra). Los enchufes no modificados y los tomacorrientes coincidentes reducirán el riesgo de sacudidas eléctricas.

Evite el contacto del cuerpo con las superficies conectadas o puestas a tierra, tales como tuberías, radiadores, estufas y refrigeradores. Hay un aumento del riesgo de sacudidas eléctricas si el cuerpo del operador se conecta o pone a tierra.

No exponga las herramientas mecánicas a la lluvia o a condiciones mojadas. La entrada de agua en una herramienta mecánica aumentará el riesgo de que se produzcan sacudidas eléctricas.

No maltrate el cordón de energía. No use nunca el cordón para transportar la herramienta mecánica, tirar de ella o desenchufarla. Mantenga el cordón alejado del calor, el aceite, los bordes afilados o las piezas móviles. Los cordones dañados o enganchados aumentan el riesgo de que se produzcan sacudidas eléctricas.

Cuando utilice una herramienta mecánica en el exterior, use un cordón de extensión adecuado para uso a la intemperie. La utilización de un cordón adecuado para uso a la intemperie reduce el riesgo de que se produzcan sacudidas eléctricas.

Si es inevitable utilizar una herramienta mecánica en un lugar húmedo, utilice una fuente de energía protegida por un interruptor de circuito accionado por corriente de pérdida

Advertencias generales de seguridad para herramientas mecánicas

a tierra (GFCI). El uso de un GFCI reduce el riesgo de sacudidas eléctricas.

fracción de segundo.

► Seguridad personal

Manténgase alerta, fijese en lo que está haciendo y use el sentido común cuando esté utilizando una herramienta mecánica. No use una herramienta mecánica cuando esté cansado o bajo la influencia de drogas, alcohol o medicamentos. Un momento de distracción mientras esté utilizando herramientas mecánicas podría causar lesiones corporales graves.

Use equipo de protección personal. Use siempre protección de los ojos. El equipo de protección, como por ejemplo una máscara antipolvo, calzado de seguridad antideslizante, casco o protección de oídos, utilizado para las condiciones apropiadas, reducirá las lesiones corporales.

Evite el arranque accidental. Asegúrese de que el interruptor esté en la posición de apagado antes de conectar la herramienta a la fuente de energía y / o al paquete de batería, levantar la herramienta o transportarla. Transportar herramientas mecánicas con un dedo en el interruptor o encender herramientas mecánicas que tengan el interruptor en la posición de encendido invita a que se produzcan accidentes.

Quite todas las llaves de ajuste o de tuerca antes de encender la herramienta mecánica. Una llave de tuerca o de ajuste que se deje colocada en una pieza giratoria de la herramienta mecánica podría causar lesiones corporales.

No intente alcanzar demasiado lejos. Mantenga un apoyo de los pies y un equilibrio apropiados en todo momento. Esto permite controlar mejor la herramienta mecánica en situaciones inesperadas.

Vístase adecuadamente. No use ropa holgada ni alhajas holgadas. Mantenga el pelo, la ropa y los guantes alejados de las piezas móviles. La ropa holgada, las alhajas holgadas o el pelo largo pueden quedar atrapados en las piezas móviles.

Si se proporcionan dispositivos para la conexión de instalaciones de extracción y recolección de polvo, asegúrese de que dichas instalaciones estén conectadas y se usen correctamente. El uso de dispositivos de recolección de polvo puede reducir los peligros relacionados con el polvo.

No deje que la familiaridad obtenida con el uso frecuente de las herramientas le haga volverse complaciente e ignorar los principios de seguridad de las herramientas. Una acción descuidada puede causar lesiones graves en una

► Uso y cuidado de las herramientas mecánicas

No fuerce la herramienta mecánica. Use la herramienta mecánica correcta para la aplicación que desee realizar. La herramienta mecánica correcta hará el trabajo mejor y con más seguridad a la capacidad nominal para la que fue diseñada.

No use la herramienta mecánica si el interruptor no la enciende y apaga. Toda herramienta mecánica que no se pueda controlar con el interruptor es peligrosa y debe ser reparada.

Desconecte el enchufe de la fuente de alimentación y/o retire el paquete de batería de la herramienta eléctrica, si es extraíble, antes de hacer cualquier ajuste, cambiar accesorios o almacenar herramientas eléctricas. Dichas medidas preventivas de seguridad reducen el riesgo de arrancar accidentalmente la herramienta mecánica.

Guarde las herramientas que no esté usando fuera del alcance de los niños y no deje que personas que no estén familiarizadas con la herramienta mecánica o con estas instrucciones utilicen la herramienta. Las herramientas mecánicas son peligrosas en manos de usuarios que no hayan recibido capacitación.

Mantenga las herramientas eléctricas y sus accesorios. Compruebe si hay piezas móviles desalineadas o atoradas, si hay piezas rotas y cualquier otra situación que pueda afectar al funcionamiento de la herramienta eléctrica. Si la herramienta eléctrica está dañada, haga que sea reparada antes de utilizarla. Muchos accidentes son causados por herramientas mecánicas mantenidas deficientemente.

Mantenga las herramientas de corte afiladas y limpias. Es menos probable que las herramientas de corte mantenidas apropiadamente, con bordes de corte afilados, se atoren, y dichas herramientas son más fáciles de controlar.

Utilice la herramienta mecánica, los accesorios, las brocas de la herramienta, etc., de acuerdo con estas instrucciones, teniendo en cuenta las condiciones de trabajo y el trabajo que se vaya a realizar. El uso de la herramienta mecánica para operaciones distintas a aquéllas para las que fue diseñada podría causar una situación peligrosa.

Mantenga secos, limpios y libres de aceite y grasa los mangos y las superficies de agarre.

Advertencias generales de seguridad para herramientas mecánicas

Si están resbalosos, los mangos y las superficies de agarre no permiten un manejo y un control seguros de la herramienta en situaciones inesperadas.

► Uso y cuidado de las herramientas alimentadas por baterías

Recargue las baterías solamente con el cargador especificado por el fabricante. Un cargador que es adecuado para un tipo de paquete de batería puede crear un riesgo de incendio cuando se utiliza con otro paquete de batería.

Utilice las herramientas mecánicas solamente con paquetes de batería designados específicamente. El uso de cualquier otro paquete de batería puede crear un riesgo de lesiones e incendio.

Cuando el paquete de batería no se esté usando, manténgalo alejado de otros objetos metálicos, tales como sujetapapeles, monedas, llaves, clavos, tornillos u otros objetos metálicos pequeños que pueden hacer una conexión de un terminal a otro. Si se cortocircuitan los terminales de la batería uno con otro, se pueden causar quemaduras o un incendio.

En condiciones abusivas, es posible que se eyecte líquido de la batería. Evite el contacto. Si se produce un contacto accidental, enjuáguese con agua. Si el líquido entra en contacto con los ojos, obtenga además ayuda médica. El líquido que salga eyectado de la batería puede causar irritación o quemaduras.

No utilice un paquete de batería o una herramienta que hayan sido dañados o modificados. Es posible que las baterías dañadas o modificadas exhiban un comportamiento impredecible que cause un incendio, una explosión o riesgo de lesiones.

No exponga un paquete de batería o una herramienta a un fuego o una temperatura excesiva. Es posible que la exposición a un fuego o una temperatura superior a 265 °F cause una explosión.

Siga todas las instrucciones de carga y no cargue el paquete de batería ni la herramienta fuera del intervalo de temperatura especificado en las instrucciones. Es posible que realizar una carga incorrectamente o a temperaturas que estén fuera del intervalo especificado dañe la batería y aumente el riesgo de incendio.

► Servicio de ajustes y reparaciones

Haga que su herramienta mecánica reciba servicio de un técnico de reparaciones calificado, utilizando únicamente piezas de repuesto idénticas. Esto asegurará que se mantenga la seguridad de la herramienta mecánica.

No haga nunca servicio de ajustes y reparaciones de paquetes de batería dañados. El servicio de ajustes y reparaciones de los paquetes de batería deberá ser realizado únicamente por el fabricante o por proveedores de servicio autorizados.

Normas de seguridad para aprietatuercas de percusión inalámbricas

Agarre la herramienta eléctrica por las superficies de agarre con aislamiento cuando realice una operación en la que el sujetador pueda entrar en contacto con cables ocultos. Es posible que los sujetadores que entren en contacto con un cable con corriente hagan que las partes metálicas de la herramienta eléctrica que están al descubierto lleven corriente y podrían causar una descarga eléctrica al operador.

Sujete firmemente la herramienta antes de utilizarla. Esta herramienta produce una elevada fuerza de torsión de salida y si no se sujeta adecuadamente durante su utilización, es posible que ocurra una pérdida de control que cause lesiones personales.

Use abrazaderas u otro modo práctico de sujetar y soportar la pieza de trabajo en una plataforma

estable. Si se sujeta la pieza de trabajo con la mano o contra el cuerpo, se crea una situación inestable que podría causar pérdida de control.

No taladre, rompa, ni haga trabajo de sujeción en paredes existentes ni en otras áreas ciegas donde pueda haber cables eléctricos. Si esta situación es inevitable, desconecte todos los fusibles o cortacircuitos que alimentan este sitio de trabajo.

Use siempre anteojos de seguridad o protección de los ojos cuando utilice esta herramienta.

Use protectores de oídos cuando utilice la herramienta durante períodos prolongados. La exposición prolongada a ruido de alta intensidad puede causar pérdida de audición.

Use guantes con almohadillado grueso y limite el tiempo de exposición tomando frecuentes períodos de

Normas de seguridad para aprietatuercas de percusión inalámbricas

descanso. La vibración causada por la acción de percusión y taladrado puede ser perjudicial para las manos y los brazos.

Sujete el material que se esté fijando con elementos de sujeción. Nunca lo tenga en la mano ni sobre las piernas. Un soporte inestable puede causar pérdida de control y lesiones.

Evite el arranque accidental. Asegúrese de que el interruptor de avance/inversión esté en la posición de apagado antes de introducir el paquete de baterías. Transportar electrodomésticos con el dedo en el interruptor o introducir el paquete de baterías en un electrodoméstico con el interruptor en la posición de encendido invita a que se produzcan accidentes.

Quite el paquete de baterías antes de cambiar accesorios. Puede producirse un arranque accidental debido a que los electrodomésticos accionados por baterías que tengan una batería introducida estén en la situación operativa.

Esté preparado para un par de torsión de reacción cuando "asiente" o quite un elemento de sujeción. La carcasa del destornillador mecánico puede tender a torcerse en sentido contrario al de rotación de la broca cuando se esté "asentando" o quitando un elemento de sujeción, dependiendo del ajuste de par de torsión de la herramienta.

No utilice brocas ni casquillos de percusión o accesorios desafilados o dañados. Cuando instale un accesorio, inserte el casquillo de percusión a fondo en el accionador de salida. Asegúrese de que el accionador de salida haya quedado fijo en el casquillo.

No haga funcionar la herramienta mientras la lleva a su lado. Una broca que gira podría engancharse con la ropa y el resultado podría ser lesiones.

Coloque la herramienta sobre el elemento de sujeción solamente cuando el destornillador mecánico esté apagado. Las herramientas destornilladoras que giran pueden deslizarse separándose del elemento de sujeción.

No utilice esta herramienta como un taladro. Las herramientas equipadas con embragues de apagado no están diseñadas para realizar operaciones de taladrado. El accionador de salida puede apagarse automáticamente y sin avisar.

Tenga cuidado cuando apriete tornillos largos: existe un riesgo de deslizamiento separándose de la cabeza del elemento de sujeción, dependiendo del tipo de casquillo o broca que se utilice. Pruebe primero el avance de un elemento de sujeción y preste atención durante el proceso de apriete del tornillo para asegurarse de no sufrir lesiones si la broca o el casquillo de la herramienta se desliza separándose del elemento de sujeción.

Advertencias de seguridad adicionales

Un GFCI y los dispositivos de protección personal, como guantes de goma y calzado de goma de electricista, mejorarán más su seguridad personal.

No use herramientas mecánicas con capacidad nominal solamente para CA con una fuente de energía de CC. Aunque pueda parecer que la herramienta funciona correctamente, es probable que los componentes eléctricos de la herramienta con capacidad nominal para CA fallen y creen un peligro para el operador.

Mantenga los mangos secos, limpios y libres de aceite y grasa. Las manos resbalosas no pueden controlar de modo seguro la herramienta mecánica.

Desarrolle un programa de mantenimiento periódico de la herramienta. Cuando limpie una herramienta, tenga cuidado de no desmontar ninguna de sus partes, ya que los cables internos podrían reubicarse incorrectamente o pellizcarse, o los resortes de retorno de los protectores de seguridad podrían montarse incorrectamente. Ciertos agentes de limpieza, tales como gasolina, tetracloruro de carbono, amoníaco, etc., podrían dañar las piezas de plástico.

Asegúrese de que el interruptor esté en la posición de apagado antes de introducir el paquete de batería. Si

se introduce el paquete de batería en herramientas mecánicas que tengan el interruptor en la posición de encendido, se invita a que se produzcan accidentes.








⚠ ADVERTENCIA **Cierto polvo generado por el lijado, aserrado, amolado y taladrado mecánicos, y por otras actividades de construcción, contiene agentes químicos que se sabe que causan cáncer, defectos de nacimiento u otros daños sobre la reproducción. Algunos ejemplos de estos agentes químicos son:**

- Plomo de pinturas a base de plomo,
- Sílice cristalina de ladrillos y cemento y otros productos de mampostería, y
- Arsénico y cromo de madera tratada químicamente.

Su riesgo por causa de estas exposiciones varía, dependiendo de con cuánta frecuencia realice este tipo de trabajo. Para reducir su exposición a estos agentes químicos: trabaje en un área bien ventilada y trabaje con equipo de seguridad aprobado, como por ejemplo máscaras antipolvo que estén diseñadas especialmente para impedir mediante filtración el paso de partículas microscópicas.

Símbolos

Importante: Es posible que algunos de los símbolos siguientes se usen en su herramienta. Por favor, estúdielos y aprenda su significado. La interpretación adecuada de estos símbolos le permitirá utilizar la herramienta mejor y con más seguridad.

Símbolo	Désignación / Explicación
V	Volt (tensión)
Ah	Amperios-hora (medición de la capacidad de la batería)
A	Ampere (corriente)
Hz	Hertz (frecuencia, ciclos por segundo)
W	Watt (potencia)
kg	Kilogramo (peso)
min	Minuto (tiempo)
s	Segundo (tiempo)
∅	Diámetro (tamaño de las brocas taladradoras, muelas, etc)
n ₀	Velocidad sin carga (velocidad rotacional sin carga)
n	Velocidad nominal (máxima velocidad obtenible)
.../min	Revoluciones o alternación por minuto (revoluciones, golpes, velocidad de superficie, órbitas, etc., por minuto)
0	Posición "off" (velocidad cero, par motor cero...)
1, 2, 3, ... I, II, III,	Graduaciones del selector (graduaciones de velocidad, par motor o posición. Un número más alto significa mayor velocidad)
	Selector infinitamente variable con apagado (la velocidad aumenta desde la graduación de 0)
	Flecha (Acción en la dirección de la flecha)
	Corriente alterna (tipo o una característica de corriente)
	Corriente continua (tipo o una característica de corriente)
	Corriente alterna o continua (tipo o una característica de corriente)
	Construcción de clase II (designa las herramientas de construcción con aislamiento doble)
	Terminal de toma de tierra (terminal de conexión a tierra)

Símbolos

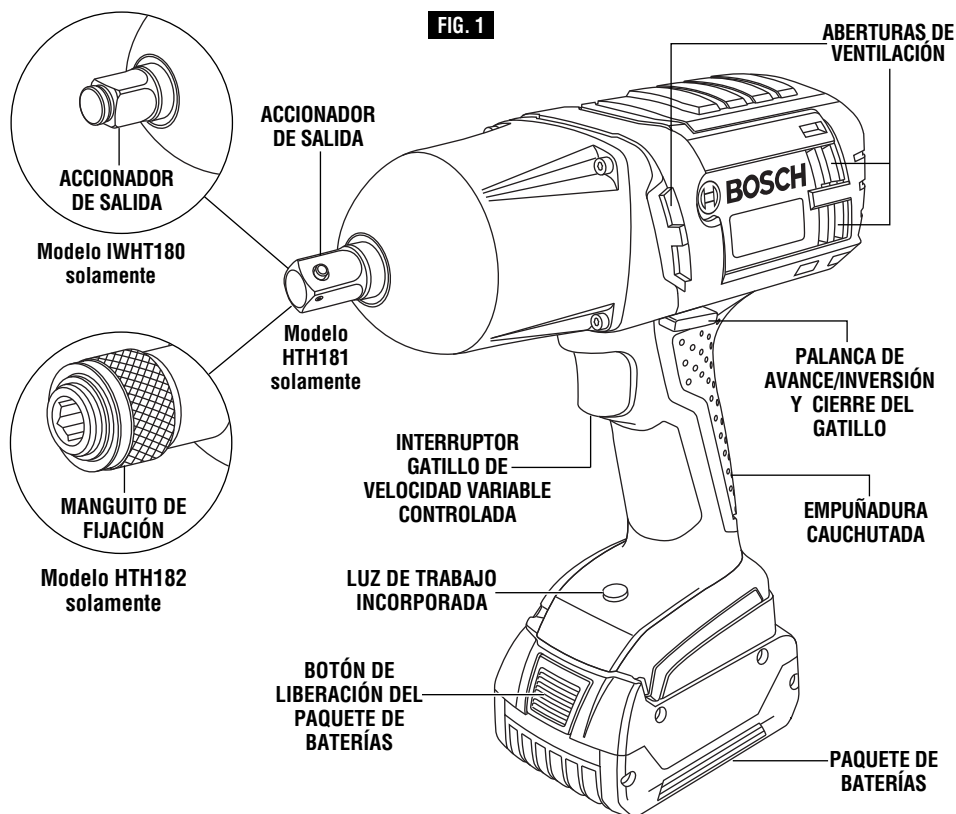
Importante: Es posible que algunos de los símbolos siguientes se usen en su herramienta. Por favor, estúdielos y aprenda su significado. La interpretación adecuada de estos símbolos le permitirá utilizar la herramienta mejor y con más seguridad.

Símbolo	Désignación / Explicación
	Designa el programa de reciclaje de baterías de Li-ion.
	Designa el programa de reciclaje de baterías de Ni-Cd.
	Alerta al usuario para que lea el manual.
	Alerta al usuario para que use protección de los ojos.
	Este símbolo indica que esta herramienta está catalogada por Underwriters Laboratories.
	Este símbolo indica que este componente está reconocido por Underwriters Laboratories.
	Este símbolo indica que Underwriters Laboratories ha catalogado esta herramienta indicando que cumple con las normas estadounidenses y canadienses.
	Este símbolo indica que esta herramienta está catalogada por la Canadian Standards Association.
	Este símbolo indica que la Canadian Standards Association ha catalogado esta herramienta indicando que cumple con las normas estadounidenses y canadienses.
	Este símbolo indica que Intertek Testing Services ha catalogado esta herramienta indicando que cumple con las normas estadounidenses y canadienses.
	Este símbolo indica que esta herramienta cumple con la norma mexicana oficial (NOM).

Descripción funcional y especificaciones

ADVERTENCIA Desconecte el paquete de batería de la herramienta antes de realizar cualquier ensamblaje, ajuste o cambio de accesorios. Dichas medidas preventivas de seguridad reducen el riesgo de arrancar la herramienta accidentalmente.

Aprietatuercas de percusión inalámbrico IWHT180, HTH181, HTH182



Número de modelo	IWHT180	HTH181	HTH182
Tensión nominal	18 V ^{Li-ion}	18 V ^{Li-ion}	18 V ^{Li-ion}
Velocidad sin carga	n ₀ 0-1,900/min	n ₀ 0-1,900/min	n ₀ 0-1,900/min
Frecuencia de impactos	0-2,100	0-2,100	0-2,100
Capacidades máximas			
Accionador de salida	Accionador cuadrado de 1/2" pulgada con anillo de fricción	Accionador cuadrado de 1/2" pulgada con pasador de retención	Cuerpo hexagonal de 7/16" con ranura de fijación

Temperatura ambiente permitida

- durante el proceso de carga 32...113 °F (0...+45 °C)
- durante la utilización / almacenamiento -4...122 °F (-20...+50 °C)

Paquetes de batería/Cargadores de baterías:

Sírvase consultar la lista de baterías/cargadores incluidas con su herramienta.

Ensamblaje

⚠ ADVERTENCIA Desconecte el paquete de batería de la herramienta antes de realizar cualquier ensamblaje, ajuste o cambio de accesorios. Dichas medidas preventivas de seguridad reducen el riesgo de arrancar la herramienta accidentalmente.

⚠ ADVERTENCIA Instale únicamente accesorios de alta calidad con el accionador cuadrado de tamaño apropiado que esté diseñado para utilizarse con aprietatuercas de percusión.

INSERCIÓN Y REMOCIÓN DE ACCESORIOS

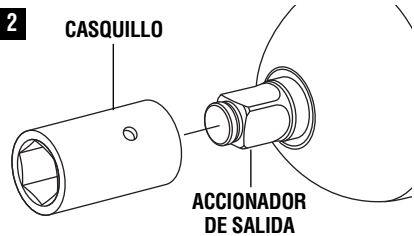
(Modelo IWHT180 solamente)

El aprietatuercas de percusión está equipado con un accionador cuadrado de 1/2 pulgada con anillo de fricción.

Para instalar un casquillo, simplemente empuje el casquillo completamente sobre el accionador de salida.

Para retirar el casquillo, tire de él hasta separarlo del accionador de salida (Fig. 2).

FIG. 2



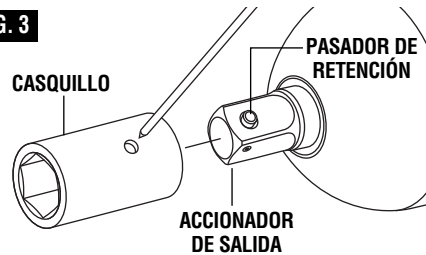
(Modelo HTH181 solamente)

El aprietatuercas de percusión está equipado con un accionador cuadrado de 1/2 pulgada con pasador de retención.

Para instalar un casquillo, presione el pasador de retención y empuje el casquillo completamente sobre el accionador de salida.

Para retirar el casquillo, presione el pasador de retención con un clavo a través del agujero ubicado en el casquillo y jale el casquillo hasta separarlo del accionador de salida (Fig. 3).

FIG. 3



(Modelo HTH182 solamente)

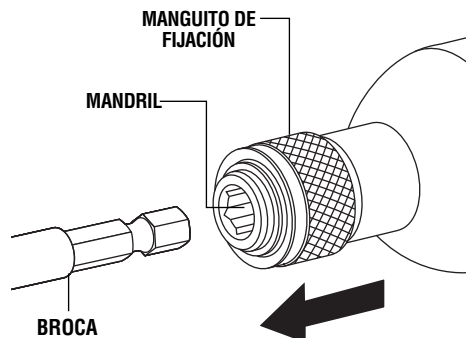
⚠ ADVERTENCIA Para evitar la pérdida de control, asegúrese de que la broca esté fija en el mandril, tirando de ella después de haberla introducido.

El mandril acepta solamente accesorios de cuerpo hexagonal de 7/16" estándar con ranura de fijación.

La herramienta está equipada con un mandril de suelta rápida. Para introducir un accesorio, simplemente tire hacia delante del manguito de fijación, introduzca el accesorio deseado en el mandril y suelte el manguito de fijación (Fig. 4).

Para quitar un accesorio, tire hacia delante del manguito de fijación y simplemente retírelo del mandril.

FIG. 4



Instrucciones de funcionamiento

INTERRUPTOR GATILLO DE VELOCIDAD VARIABLE CONTROLADA

La herramienta está provista de un interruptor gatillo de velocidad variable. La herramienta se puede encender (posición "ON") o apagar (posición "OFF") al apretar o soltar el gatillo. La velocidad se puede ajustar desde el valor mínimo hasta el máximo de las RPM nominales mediante la presión ejercida sobre el gatillo. Ejercer más presión para aumentar la velocidad y disminuir la presión para reducir la velocidad (Fig. 1).

PALANCA DE AVANCE/INVERSIÓN Y CIERRE DEL GATILLO

⚠ ADVERTENCIA Después de utilizar la herramienta, fije el gatillo en la posición de apagado ("OFF") para ayudar a evitar los arranques accidentales y la descarga accidental de las baterías.

La herramienta está equipada con una palanca de avance/inversión y un cierre del gatillo con ubicación encima del gatillo (Fig. 5). Esta palanca fue diseñada para invertir el sentido de rotación de la broca y para fijar el gatillo en la posición de apagado.

Para la rotación de "Avance" (con la herramienta orientado en sentido opuesto a usted), mueva la palanca completamente hacia la izquierda.

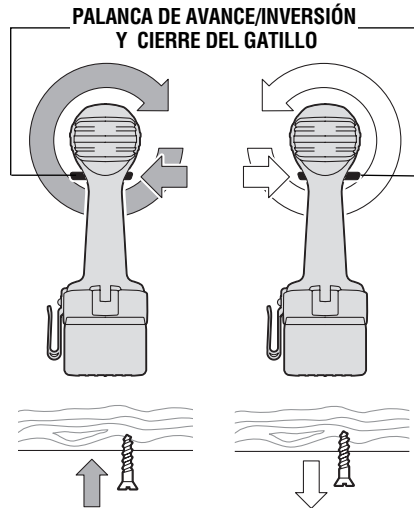
Para la rotación inversa, mueva la palanca completamente hacia la derecha. Para activar el cierre del gatillo, mueva la palanca hasta la posición central "OFF".

⚠ PRECAUCIÓN No cambie el sentido de giro hasta que la herramienta se haya detenido por completo. El cambio durante el giro de la herramienta puede causar daños a la herramienta.

LUZ DE TRABAJO INCORPORADA

La herramienta también está equipada con una luz que se enciende automáticamente cuando se activa el interruptor, para tener mejor visibilidad al taladrar/apretar (Fig. 1).

FIG. 5



Instrucciones de funcionamiento

Consejos de funcionamiento

INSTALACIÓN DE PIEZAS DE FIJACIÓN

Para sujetar: Empiece a colocar la pieza de fijación a mano sobre o dentro de su contrapartida roscada (por ejemplo, una tuerca sobre un perno o un perno dentro de una tuerca o de un agujero roscado).

A continuación, con el casquillo de percusión adecuado firmemente montado en el aprietatuercas, deslice dicho casquillo de percusión sobre la tuerca o la cabeza del perno. Sujete la herramienta firmemente con las dos manos y apriete el interruptor gatillo. El casquillo de percusión hará girar la pieza de fijación y la acción de percusión comenzará una vez que dicha pieza de fijación encuentre resistencia. Vea el cuadro que se presenta más adelante para calcular la cantidad de tiempo de percusión que se requiere para obtener un par motor deseado.

Para aflojar: Con el casquillo de percusión adecuado firmemente montado en el aprietatuercas, deslice dicho casquillo de percusión sobre la cabeza del perno (asegúrese de que el sentido de rotación sea "inverso").

Sujete la herramienta firmemente con las dos manos y apriete el interruptor gatillo. La herramienta comenzará a percudir inmediatamente. Una vez que la pieza de fijación se haya aflojado, ésta comenzará a desenroscarse. Tenga cuidado de no dejar que la pieza de fijación gire libremente una vez que ya no se encuentre acoplada con la otra pieza roscada, ya que podría ser lanzada fuera del casquillo.

PAR MOTOR DE APIRIETE

El par motor de apriete depende de la duración de la acción de percusión/apriete. El mayor par motor de apriete se alcanza después de aproximadamente 6 a 10 segundos de acción de percusión/apriete.

El aumento de par motor depende de los siguientes factores:

- Dureza de los pernos/tuercas.
- Tipo de arandela (arandela de disco, arandela elástica, junta de estanqueidad).
- Dureza del material que se va a unir.
- Efecto de la lubricación en las superficies de la unión.

Esto lleva a los siguientes casos de aplicación:

Caso duro: La unión de metal a metal con una arandela de disco. El par motor máximo se alcanza después de una acción de percusión/apriete relativamente corta.

Caso mediano: La unión de metal a metal cuando se usan una arandela elástica redonda, una arandela elástica de disco, pernos prisioneros o pernos/tuercas con asentamientos cónicos.

Caso blando: La unión de por ejemplo metal a madera o a material aislante.

Para casos de unión mediana o blanda, el par motor de apriete máximo es menos que para los casos duros. Por lo tanto, se necesita una acción de percusión/apriete más prolongada para alcanzar el par motor de apriete máximo.

UTILIZACIÓN EN TIEMPO FRIÓ (32°F)

Debido a la lubricación utilizada en el mecanismo de percusión, se deberá hacer funcionar la herramienta durante tres minutos sin carga antes de la utilización real. Esto calentará el lubricante y proporcionará un mejor rendimiento.

INTRODUCCIÓN Y SUELTA DEL PAQUETE DE BATERÍAS

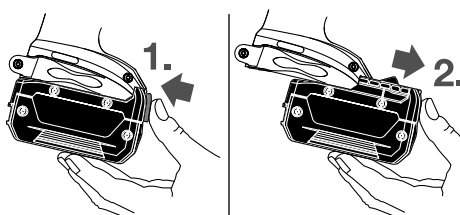
Ponga la palanca de avance/inversión en la posición central (de apagado). Deslice el paquete de baterías cargado al interior de la carcasa hasta que dicho paquete se acople en su sitio (Fig. 6).

La herramienta está equipado con un pestillo de fijación secundario para impedir que dicho paquete se caiga y salga completamente del mango, en caso de que se afloje debido a la vibración.

Para quitar el paquete de baterías, oprima el botón de liberación del paquete de baterías y deslice dicho paquete hacia delante.

Oprima de nuevo el botón de liberación del paquete de baterías y deslice dicho paquete completamente hacia afuera hasta sacarlo de la carcasa de la herramienta (Fig. 6).

FIG. 6



Mantenimiento

⚠ ADVERTENCIA Para evitar accidentes, desconecte siempre la herramienta y/o el cargador de la fuente de alimentación antes de realizar servicio de ajustes y reparaciones o limpieza.

Servicio

⚠ ADVERTENCIA NO HAY PIEZAS EN EL INTERIOR QUE PUEDAN SER AJUSTADAS O REPARADAS POR EL USUARIO. El mantenimiento preventivo realizado por personal no autorizado puede dar lugar a la colocación incorrecta de cables y componentes internos que podría constituir un peligro serio. Recomendamos que todo el servicio de las herramientas sea realizado en un Centro de servicio de fábrica Bosch o en una Estación de servicio Bosch autorizada. **TECNICOS DE REPARACIONES:** Desconecten la herramienta y/o el cargador de la fuente de energía antes de realizar servicio de ajustes y reparaciones.

BATERÍAS

Esté alerta a los paquetes de baterías que estén aproximándose al final de su vida útil. Si observa una disminución del rendimiento de la herramienta o un tiempo de funcionamiento significativamente más corto entre cargas, entonces ha llegado el momento de cambiar el paquete de baterías. Si no se hace esto, el resultado puede ser que la herramienta funcione incorrectamente o que el cargador se dañe.

LUBRICACION DE LAS HERRAMIENTAS

Su herramienta Bosch ha sido lubricada adecuadamente y está lista para la utilización.

MOTORES “CORRIENTE DIRECTA”

El motor de la herramienta ha sido diseñado para muchas horas de servicio fiable. Para mantener un rendimiento óptimo del motor, recomendamos que éste sea examinado cada seis meses. Sólo se debe usar un motor de repuesto Bosch genuino diseñado especialmente para la herramienta.

RODAMIENTOS

Los rodamientos que se vuelven ruidosos (debido a la pesada carga o al corte de materiales muy abrasivos) deben ser sustituidos inmediatamente para evitar el sobrecalentamiento y el fallo del motor.

Limpieza

⚠ PRECAUCION Ciertos agentes de limpieza y disolventes dañan las piezas de plástico. Algunos de estos son: gasolina, tetracloruro de carbono, disolventes de limpieza clorados, amoníaco y detergentes domésticos que contienen amoníaco.

Las aberturas de ventilación y las palancas de interruptor deben mantenerse limpias y libres de materias extrañas. No intente limpiar introduciendo objetos puntiagudos a través de las aberturas.

Accesorios

* Estuche de transporte

(* = equipo estándar)

(** = accesorios opcionales)

Notes / Remarques / Notas:

This page was intentionally left blank
Cette page a été laissée vierge intentionnellement.
Esta página se dejó intencionalmente en blanco

LIMITED WARRANTY OF BOSCH PORTABLE AND BENCHTOP POWER TOOLS

Robert Bosch Tool Corporation ("Seller") warrants to the original purchaser only, that all BOSCH portable and benchtop power tools will be free from defects in material or workmanship for a period of one year from date of purchase. SELLER'S SOLE OBLIGATION AND YOUR EXCLUSIVE REMEDY under this Limited Warranty and, to the extent permitted by law, any warranty or condition implied by law, shall be the repair or replacement of parts, without charge, which are defective in material or workmanship and which have not been misused, carelessly handled, or misrepaired by persons other than Seller or Authorized Service Station. To make a claim under this Limited Warranty, you must return the complete portable or benchtop power tool product, transportation prepaid, to any BOSCH Factory Service Center or Authorized Service Station. For Authorized BOSCH Power Tool Service Stations, please refer to your phone directory.

THIS LIMITED WARRANTY DOES NOT APPLY TO ACCESSORY ITEMS SUCH AS CIRCULAR SAW BLADES, DRILL BITS, ROUTER BITS, JIGSAW BLADES, SANDING BELTS, GRINDING WHEELS AND OTHER RELATED ITEMS.

ANY IMPLIED WARRANTIES SHALL BE LIMITED IN DURATION TO ONE YEAR FROM DATE OF PURCHASE. SOME STATES IN THE U.S., SOME CANADIAN PROVINCES DO NOT ALLOW LIMITATIONS ON HOW LONG AN IMPLIED WARRANTY LASTS, SO THE ABOVE LIMITATION MAY NOT APPLY TO YOU.

IN NO EVENT SHALL SELLER BE LIABLE FOR ANY INCIDENTAL OR CONSEQUENTIAL DAMAGES (INCLUDING BUT NOT LIMITED TO LIABILITY FOR LOSS OF PROFITS) ARISING FROM THE SALE OR USE OF THIS PRODUCT. SOME STATES IN THE U.S. AND SOME CANADIAN PROVINCES DO NOT ALLOW THE EXCLUSION OR LIMITATION OF INCIDENTAL OR CONSEQUENTIAL DAMAGES, SO THE ABOVE LIMITATION OR EXCLUSION MAY NOT APPLY TO YOU.

THIS LIMITED WARRANTY GIVES YOU SPECIFIC LEGAL RIGHTS, AND YOU MAY ALSO HAVE OTHER RIGHTS WHICH VARY FROM STATE TO STATE IN THE U.S., PROVINCE TO PROVINCE IN CANADA AND FROM COUNTRY TO COUNTRY.

THIS LIMITED WARRANTY APPLIES ONLY TO PORTABLE AND BENCHTOP ELECTRIC TOOLS SOLD WITHIN THE UNITED STATES OF AMERICA, CANADA AND THE COMMONWEALTH OF PUERTO RICO. FOR WARRANTY COVERAGE WITHIN OTHER COUNTRIES, CONTACT YOUR LOCAL BOSCH DEALER OR IMPORTER.

GARANTIE LIMITÉE DES OUTILS ÉLECTRIQUES PORTATIFS ET D'ÉTABLI BOSCH

Robert Bosch Tool Corporation (le « vendeur ») garantit à l'acheteur initial seulement que tous les outils électriques portatifs et d'établi BOSCH seront exempts de vices de matériaux ou d'exécution pendant une période d'un an depuis la date d'achat. LA SEULE OBLIGATION DU VENDEUR ET LE SEUL RECOURS DE L'ACHETEUR sous la présente garantie limitée, et en autant que la loi le permette sous toute garantie ou condition implicite qui en découlerait, sera l'obligation de remplacer ou réparer gratuitement les pièces défectueuses matériellement ou comme fabrication, pourvu que lesdites déficiences ne soient pas attribuables à un usage abusif ou à quelque réparation bricolée par quelqu'un d'autre que le vendeur ou le personnel d'une station-service agréée. Pour présenter une réclamation en vertu de cette garantie limitée, vous devez renvoyer l'outil électrique portatif ou d'établi complet, port payé, à tout centre de service agréé ou centre de service usine. Veuillez consulter votre annuaire téléphonique pour les adresses.

LA PRÉSENTE GARANTIE NE S'APPLIQUE PAS AUX ACCESSOIRES TELS QUE LAMES DE SCIES CIRCULAIRES, MÊCHES DE PERCEUSES, FERS DE TOUPIES, LAMES DE SCIES SAUTEUSES, COURROIES DE PONÇAGE, MEULES ET AUTRES ARTICLES DU GENRE.

TOUTE GARANTIE IMPLICITE SERA LIMITÉE COMME DURÉE À UN AN À COMPTER DE LA DATE D'ACHAT. CERTAINS ÉTATS AMÉRICAINS, CERTAINES PROVINCES CANADIENNES N'ADMETTANT PAS LE PRINCIPE DE LA LIMITATION DE LA DURÉE DES GARANTIES IMPLICITES, IL EST POSSIBLE QUE LES LIMITATIONS CI-DESSUS NE S'APPLIQUENT PAS À VOTRE CAS.

EN AUCUN CAS LE VENDEUR NE SAURAIT ÊTRE TENU POUR RESPONSABLE DES INCIDENTS OU DOMMAGES INDIRECTS (INCLUANT, MAIS NE SE LIMITANT PAS AUX PERTES DE PROFITS) CONSÉCUTIFS À LA VENTE OU L'USAGE DE CE PRODUIT. CERTAINS ÉTATS AMÉRICAINS ET CERTAINES PROVINCES CANADIENNES N'ADMETTANT PAS LE PRINCIPE DE LA LIMITATION NI L'EXCLUSION DES DOMMAGES INDIRECTS ET CONSÉQUENTIELS, IL EST POSSIBLE QUE LES LIMITATIONS OU EXCLUSIONS CI-DESSUS NE S'APPLIQUENT PAS À VOTRE CAS.

LA PRÉSENTE GARANTIE VOUS ACCORDE DES DROITS BIEN DÉTERMINÉS, Y COMPRIS POSSIBLEMENT CERTAINS DROITS VARIABLES DANS LES DIFFÉRENTS ÉTATS AMÉRICAINS, PROVINCES CANADIENNE ET DE PAYS À PAYS.

CETTE GARANTIE LIMITÉE NE S'APPLIQUE QU' AUX OUTILS ÉLECTRIQUES PORTATIFS ET D'ÉTABLI VENDUS AUX ÉTATS-UNIS D'AMÉRIQUE, AU CANADA ET AU COMMONWEALTH DE PORTO RICO. POUR COUVERTURE DE GARANTIE DANS LES AUTRES PAYS, CONTACTEZ VOTRE IMPORTATEUR OU REVENDEUR BOSCH LOCAL.

GARANTIA LIMITADA PARA HERRAMIENTAS MECANICAS PORTATILES Y PARA TABLERO DE BANCO BOSCH

Robert Bosch Tool Corporation ("el Vendedor") garantiza, únicamente al comprador original, que todas las herramientas mecánicas portátiles y para tablero de banco BOSCH estarán libres de defectos de material o de fabricación durante un periodo de un año a partir de la fecha de compra. LA ÚNICA OBLIGACION DEL VENDEDOR Y EL RECURSO EXCLUSIVO QUE USTED TIENE bajo esta Garantía Limitada y, hasta donde la ley lo permita, bajo cualquier garantía o condición implícita por ley, consistirá en la reparación o sustitución sin costo de las piezas que presenten defectos de material o de fabricación y que no hayan sido utilizadas incorrectamente, manejadas descuidadamente o reparadas incorrectamente por personas que no sean el Vendedor o una Estación de servicio autorizada. Para efectuar una reclamación bajo esta Garantía Limitada, usted debe devolver el producto, que consiste en la herramienta mecánica portátil o para tablero de banco completa, con el transporte pagado, a cualquier Centro de servicio de fábrica o Estación de servicio autorizada. Para Estaciones de servicio autorizadas de herramientas mecánicas BOSCH, por favor, consulte el directorio telefónico.

ESTA GARANTIA LIMITADA NO SE APLICA A ARTICULOS ACCESORIOS TALES COMO HOJAS PARA SIERRAS CIRCULARES, BROCAS PARA TALADROS, BROCAS PARA FRESADORAS, HOJAS PARA SIERRAS DE VAIVEN, CORREAS PARA LIJAR, RUEDAS DE AMOLAR Y OTROS ARTICULOS RELACIONADOS.

TODAS LAS GARANTIAS IMPLICITAS TENDRAN UNA DURACION LIMITADA A UN AÑO A PARTIR DE LA FECHA DE COMPRA. ALGUNOS ESTADOS DE LOS EE.UU. Y ALGUNAS PROVINCIAS CANADIENSES NO PERMITEN LIMITACIONES EN CUANTO A LA DURACION DE UNA GARANTIA IMPLICITA, POR LO QUE ES POSIBLE QUE LA LIMITACION ANTERIOR NO SEA APLICABLE EN EL CASO DE USTED.

EL VENDEDOR NO SERA RESPONSABLE EN NINGUN CASO DE NINGUN DAÑO INCIDENTAL O EMERGENTE (INCLUYENDO PERO NO LIMITADO A RESPONSABILIDAD POR PERDIDA DE BENEFICIOS) QUE SE PRODUZCA COMO CONSECUENCIA DE LA VENTA O UTILIZACION DE ESTE PRODUCTO. ALGUNOS ESTADOS DE LOS EE.UU. Y ALGUNAS PROVINCIAS CANADIENSES NO PERMITEN LA EXCLUSION O LIMITACION DE LOS DAÑOS INCIDENTALES O EMERGENTES, POR LO QUE ES POSIBLE QUE LA LIMITACION O EXCLUSION ANTERIOR NO SEA APLICABLE EN EL CASO DE USTED.

ESTA GARANTIA LIMITADA LE CONFIERE A USTED DERECHOS LEGALES ESPECIFICOS Y ES POSIBLE QUE USTED TAMBIEN TENGA OTROS DERECHOS QUE VARIAN DE ESTADO A ESTADO EN LOS EE.UU., DE PROVINCIA A PROVINCIA EN CANADA Y DE UN PAIS A OTRO.

ESTA GARANTIA LIMITADA SE APLICA SOLAMENTE A HERRAMIENTAS ELECTRICAS PORTATILES Y PARA TABLERO DE BANCO VENDIDAS EN LOS ESTADOS UNIDOS DE AMERICA, CANADA Y EL ESTADO LIBRE ASOCIADO DE PUERTO RICO. PARA COBERTURA DE GARANTIA EN OTROS PAISES, PONGASE EN CONTACTO CON SU DISTRIBUIDOR O IMPORTADOR LOCAL DE BOSCH.

© Robert Bosch Tool Corporation 1800 W. Central Road Mt. Prospect, IL 60056-2230

Exportado por: Robert Bosch Tool Corporation Mt. Prospect, IL 60056-2230, E.U.A.

Importado en México por: Robert Bosch, S.A. de C.V., Calle Robert Bosch No. 405, Zona Industrial, Toluca, Edo. de México, C.P. 50070, Tel. (722) 2792300



2 6 1 0 0 5 1 9 6 8