

IMPORTANT:
Read Before Using

IMPORTANT :
Lire avant usage

IMPORTANTE:
Leer antes de usar



Operating/Safety Instructions
Consignes de fonctionnement/sécurité
Instrucciones de funcionamiento y seguridad

GLL50-40G



BOSCH

Call Toll Free
for Consumer
Information &
Service Locations

Pour obtenir des informations
et les adresses de nos centres
de service après-vente,
appelez ce numéro gratuit

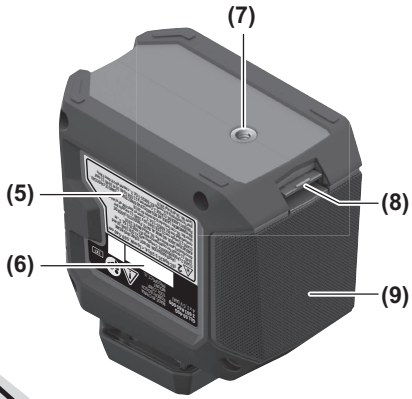
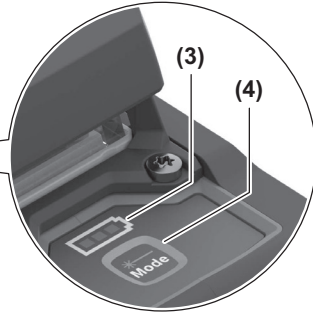
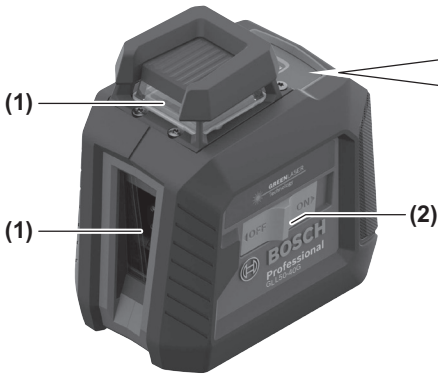
Llame gratis para
obtener información
para el consumidor y
ubicaciones de servicio

1-877-BOSCH99 (1-877-267-2499) www.boschtools.com

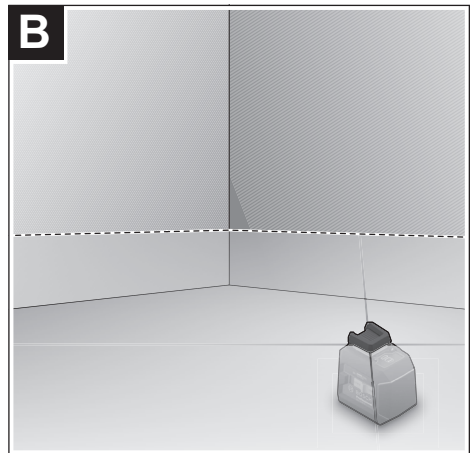
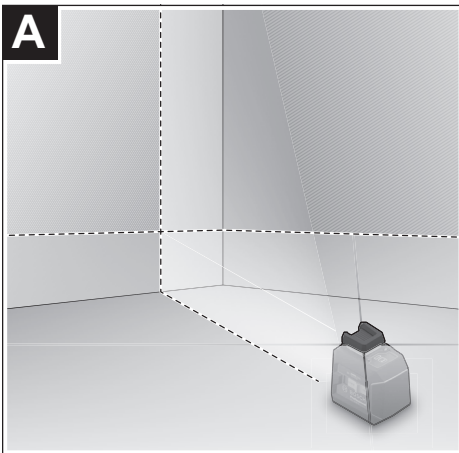
For English Version
See page 5

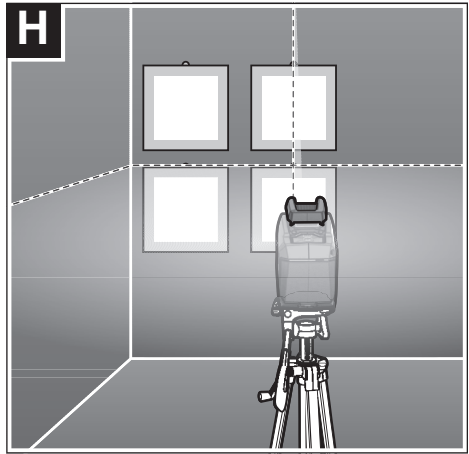
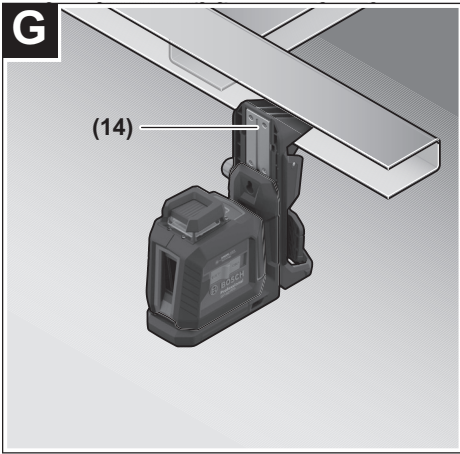
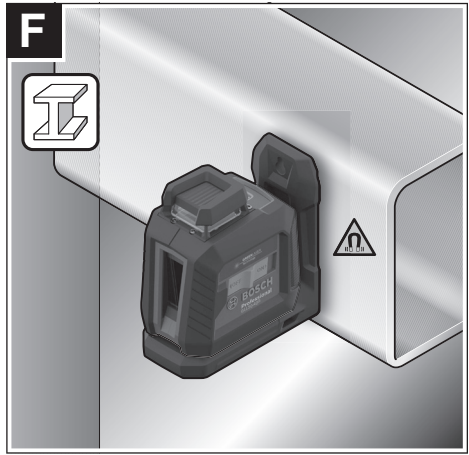
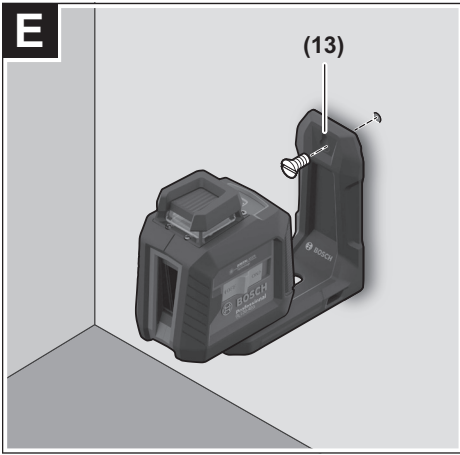
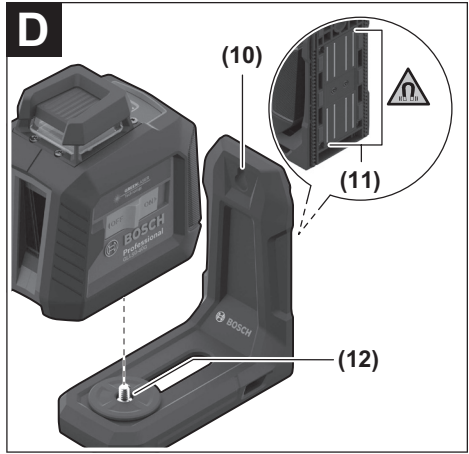
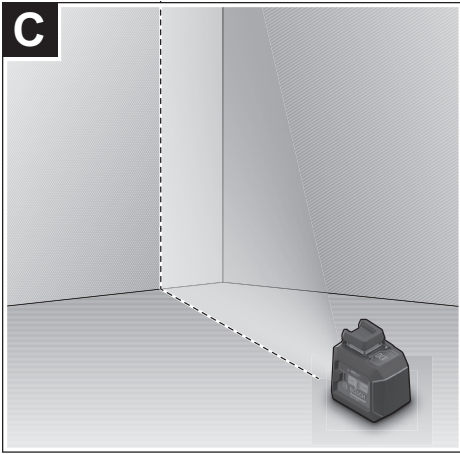
Version française
Voir page 17

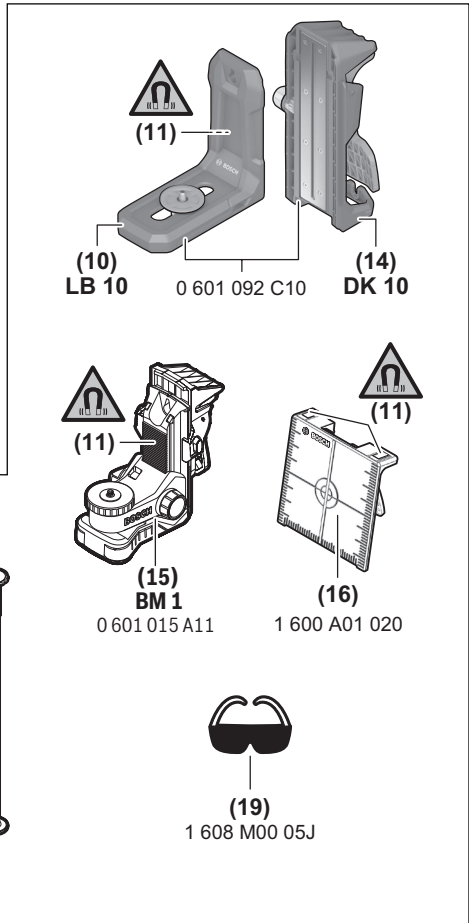
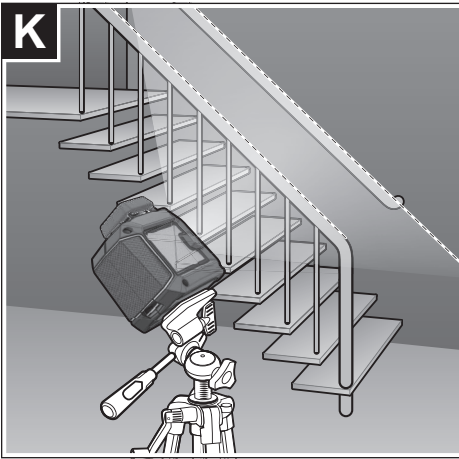
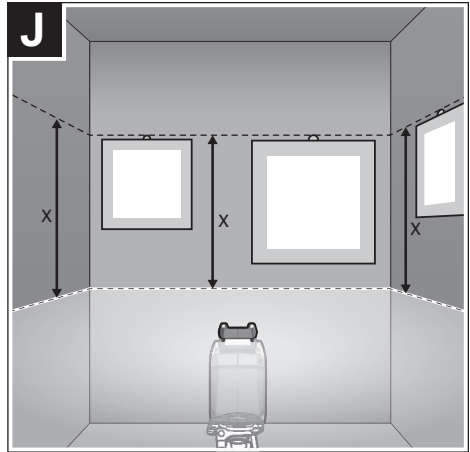
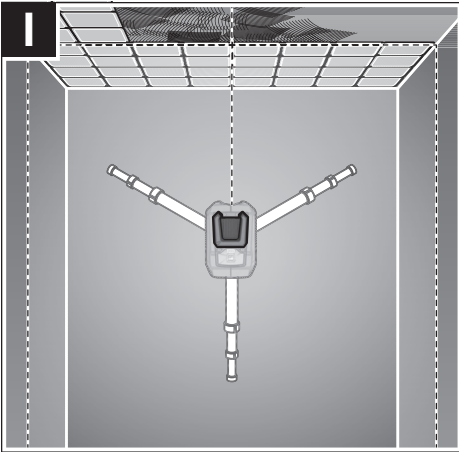
Versión en español
Ver la página 30



 **2** IEC 60825-1:2014, <10 mW, 500-540 nm
LASER RADIATION. DO NOT STARE INTO BEAM.
CLASS 2 LASER PRODUCT. Complies with 21 CFR 1040.10 and 1040.11 except for conformance with IEC 60825-1 Ed. 3., as described in Laser Notice No. 56, dated May 8, 2019.
RADIACIÓN LASER. NO MIRE AL RAYO. PRODUCTO LASER DE CLASE 2. Cumple con 21 CFR 1040.10 y 1040.11 excepto por conformidad con IEC 60825-1 Ed. 3., como se describe en el aviso del láser No. 56, con fecha del 8 de mayo de 2019.
RAYONNEMENT LASER. NE REGARDEZ PAS DIRECTEMENT DANS LE FAISCEAU. PRODUIT LASER DE CLASSE 2. Conforme à 21 CFR 1040.10 et 1040.11 sauf pour la conformité à la norme IEC 60825-1 Ed. 3., comme décrit dans l'Avis Laser No. 56 du 8 mai 2019.












Safety Symbols

The definitions below describe the level of severity for each signal word. Please read the manual and pay attention to these symbols.

	This is the safety alert symbol. It is used to alert you to potential personal injury hazards. Obey all safety messages that follow this symbol to avoid possible injury or death.
	Read manual symbol - Alerts user to read manual.
	DANGER indicates a hazardous situation which, if not avoided, will result in death or serious injury.
	WARNING indicates a hazardous situation which, if not avoided, could result in death or serious injury.
	CAUTION indicates a hazardous situation which, if not avoided, could result in minor or moderate injury.

General Safety Rules

WARNING Read all instructions. Failure to follow all instructions listed below may result in hazardous radiation exposure, electric shock, fire and/or serious injury.

The term “tool” in all of the warnings listed below refers to your mains-operated (corded) tool or battery-operated (cordless) tool.

WARNING The following labels are on your laser tool for your convenience and safety. They indicate where the laser light is emitted by the tool. ALWAYS BE AWARE of their location when using the tool.



Do not direct the laser beam at persons or animals and do not stare into the laser beam yourself. This tool produces laser class 2 laser radiation and complies with 21 CFR 1040.10 and 1040.11 except for conformance with IEC 60825-1 Ed. 3., as described in Laser Notice No. 56, dated May 8, 2019. This can lead to persons

being blinded.

DO NOT remove or deface any warning or caution labels. Removing labels increases the risk of exposure to laser radiation.

Use of controls or adjustments or performance of procedures other than those specified in this manual, may result in hazardous radiation exposure.

ALWAYS make sure that any bystanders in the vicinity of use are made aware of the dangers of looking directly into the laser tool.

DO NOT place the laser tool in a position that may cause anyone to stare into the laser beam intentionally or unintentionally. Serious eye injury could result.

ALWAYS position the laser tool securely. Damage to the laser tool and/or serious injury to the user could result if the laser tool fails.

2 IEC 60825-1:2014, <10 mW, 500-540 nm
LASER RADIATION. DO NOT STARE INTO BEAM.
 CLASS 2 LASER PRODUCT. Complies with 21 CFR 1040.10 and 1040.11 except for conformance with IEC 60825-1 Ed. 3., as described in Laser Notice No. 56, dated May 8, 2019.
 RADIACIÓN LÁSER. NO MIRE AL RAYO. PRODUCTO LÁSER DE CLASE 2. Cumple con 21 CFR 1040.10 y 1040.11 excepto por conformidad con IEC 60825-1 Ed. 3., como se describe en el aviso del láser No. 56, con fecha del 8 de mayo de 2019.
 RAYONNEMENT LASER. NE REGARDEZ PAS DIRECTEMENT DANS LE FAISCEAU. PRODUIT LASER DE CLASSE 2. Conforme à 21 CFR 1040.10 et 1040.11 sauf pour la conformité à la norme IEC 60825-1 Ed. 3., comme décrit dans l'Avis Laser No. 56 du 8 mai 2019.

ALWAYS use only the accessories that are recommended by the manufacturer of your laser tool. Use of accessories that have been designed for use with other laser tools could result in serious injury.

DO NOT use this laser tool for any purpose other than those outlined in this manual. This could result in serious injury.

DO NOT leave the laser tool “ON” unattended in any operating mode.

DO NOT disassemble the laser tool. There are no user serviceable parts inside. Do not modify the product in any way. Modifying the laser tool may result in hazardous laser radiation exposure.

DO NOT use the laser viewing glasses as safety goggles. The laser viewing glasses are used for improved visualization of the laser beam, but they do not protect against laser radiation.

DO NOT use the laser viewing glasses as sun glasses or in traffic. The laser viewing glasses do not afford complete UV protection and reduce color perception.

DO NOT use any optical tools such as, but not limited to, telescopes or transits to view the laser beam. Serious eye injury could result.

DO NOT stare directly at the laser beam or project the laser beam directly into the eyes of others. Serious eye injury could result.

Work area safety

Keep work area clean and well lit. Cluttered or dark areas invite accidents.

DO NOT operate the laser tool around children or allow children to operate the laser tool. Serious eye injury could result.

DO NOT use laser tools, attachments and accessories outdoors when lightning conditions are present.

Do not operate the measuring tool in explosive environments, such as in the presence of flammable liquids, gases or dusts. Sparks can be created in the measuring tool which may ignite the dust or fumes.

Electrical safety

 BATTERIES can explode or leak, cause injury or fire.

To reduce this risk, always follow all instructions and warnings on the battery label and package.

DO NOT short any battery terminals.

DO NOT charge alkaline batteries.

DO NOT mix old and new batteries. Replace all of them at the same time with new batteries of the same brand and type.

DO NOT mix battery chemistries.

Dispose of or recycle batteries per local code.

DO NOT dispose of batteries in fire. Keep batteries out of reach of children.

Remove batteries if the device will not be used for several months.

Personal safety

If laser radiation strikes your eye, you must deliberately close your eyes and immediately turn your head away from the beam.

Do not make any modifications to the laser equipment.

Stay alert, watch what you are doing and use common sense when operating a tool. Do not use a tool while you are tired or under the influence of drugs, alcohol or medication. A moment of inattention while operating a tool may result in serious personal injury or incorrect measurement results.

Use safety equipment. Always wear eye protection. Safety equipment such as dust mask, non-skid safety shoes, hard hat, or hearing protection used for appropriate conditions will reduce personal injuries.

Use caution when using laser tools in the vicinity of electrical hazards.

Magnets



Keep the tool, mounting bracket LB 10 (10), position device BM 1 (15), and laser target plate (16) away from implants or other medical devices such as pacemaker or insulin pumps. The magnets generate a field that can impair the function of implants or medical devices, which may lead to serious personal injury.

Keep the tool, mounting bracket LB 10 (10), position device BM 1 (15), and laser target plate (16) away from magnetic data storage medium and magnetically sensitive equipment. The effect of the magnets can lead to irreversible data loss.

Use and care

Use the correct tool for your application.

The correct tool will do the job better and safer.

Do not use the tool if the switch does not turn it on and off. Any tool that cannot be controlled with the switch is dangerous and must be repaired.

Store idle tool out of the reach of children and do not allow persons unfamiliar with the tool or these instructions to operate the tool. Tools are dangerous in the hands of untrained users.

Maintain tools. Check for misalignment or binding of moving parts, breakage of parts and any other condition that may affect the operation. If damaged, tool repaired before use. Many accidents are caused by poorly maintained tools.

Use the tool, accessories, etc., in accordance with these instructions and in the manner intended for the particular type of tool, taking into account the working conditions and the work to be performed.

Use of the tool for operations different from those intended could result in a hazardous situation.

Service

Have your tool serviced by a qualified repair person using only identical replacement parts. This will ensure that the safety of the tool is maintained.

Develop a periodic maintenance schedule for tool. When cleaning a tool be careful not to disassemble any portion of the tool since internal wires may be misplaced or pinched or may be improperly mounted. Certain cleaning agents such as gasoline, carbon tetrachloride, ammonia, etc. may damage plastic parts.

SAVE THESE INSTRUCTIONS

Intended Use

The measuring tool is intended for determining and checking horizontal and vertical lines.
The measuring tool is suitable for indoor and outdoor use.

Features

The numbering of the product features shown refers to the illustration of the tool on the graphic page.

- | | |
|--|--------------------------------------|
| 1 Laser beam outlet aperture | 11 Magnet |
| 2 On/off switch | 12 1/4" screw of the holder |
| 3 Battery indicator | 13 Screw hole of the holder |
| 4 Button for laser operating mode | 14 Ceiling clip (DK 10)* |
| 5 Laser warning label | 15 Universal holder (BM 1)* |
| 6 Serial number | 16 Laser target plate* |
| 7 1/4" tripod mount | 17 Tripod (BT 150)* |
| 8 Battery compartment cover locking mechanism | 18 Telescopic shaft (BT 350)* |
| 9 Battery compartment cover | 19 Laser goggles* |
| 10 Magnetic Mounting Bracket (LB 10) | |

* The accessories illustrated or described are not included as standard delivery.

Technical Data

Model Number	GLL50-40G
Article number	3 601 K65 ...
Working range (diameter) ^{A)}	100 ft (30 m)
Leveling accuracy ^{B)C)D)}	±3/16 in. at 30 ft (±0.4 mm/m)
Self-leveling range (typical)	±4°
Leveling duration (typical)	<4s
Operating temperature	23 °F to 104 °F (-5 °C to +40 °C)
Storage temperature	-4 °F to 158 °F (-20 °C to +70 °C)
Max. altitude	6560 ft (2000 m)
Relative air humidity, max.	90 %
Pollution degree according IEC 61010 ^{E)}	2
Laser class	2
Laser type	<10 mW, 500 - 540 nm
C ₆	10
Divergence	30 x 20 mrad (full angle)
Tripod mount	1/4"
Batteries	4 x 1.5V LR6 (AA)
Weight	1.37 lbs. (0.62 kg)
Dimensions	4.37 × 2.83 × 4.69 inches (111 × 72 × 119 mm)
Degree of protection	IP 64 (dust tight and splash water protected)

A) The working range may be reduced by unfavourable environmental conditions (e.g. direct sunlight).

B) At 68-77 °F (20-25 °C)

C) The values stated presuppose normal to favourable environmental conditions (e.g. no vibration, no fog, no smoke, no direct sunlight). Extreme fluctuations in temperature can cause deviations in accuracy.

D) Applies for the intersection point and the corresponding angles 90°/180°/270°

E) Only non-conductive deposits occur, whereby occasional temporary conductivity caused by condensation is expected.

The serial number **(6)** on the type plate is used to clearly identify your measuring tool.

Preparation

Inserting/Changing the batteries

It is recommended that you use alkaline manganese batteries to operate the measuring tool.

Press the locking mechanism **(8)** upwards to open the battery compartment cover **(9)** and remove the battery compartment cover. Insert the batteries.

When inserting the batteries, ensure that the polarity is correct according to the illustration on the inside of the battery compartment.

The battery indicator **(3)** always indicates the current status of the battery. If the batteries are running low, the laser lines will gradually become dimmer. If the

batteries are almost empty the battery indicator starts flashing continuously and the laser lines will blink every 5 min for 5 s until the tool turns off. If the batteries are empty, the laser lines and the battery indicator will flash once before the measuring tool switches off.

Always replace all the batteries at the same time. Only use batteries from the same manufacturer and which have the same capacity.

⚠ WARNING Take the batteries out of the measuring tool when you are not using it for a prolonged period of time. The batteries can corrode and self-discharge during prolonged storage in the measuring tool.

Operation

Starting Operation

⚠ WARNING Protect the measuring tool from moisture and direct sunlight.

⚠ WARNING Do not expose the measuring tool to any extreme temperatures or fluctuations in temperature. The precision of the measuring tool may be compromised if exposed to extreme temperatures or fluctuations in temperature. For example, do not leave it in a car for extended periods of time. If it has been subjected to significant fluctuations in temperature, first allow the measuring tool to adjust to the ambient temperature and then always carry out an accuracy check before continuing work (see “Leveling Accuracy”, page 12).

⚠ WARNING Avoid substantial knocks to the measuring tool and avoid dropping it. Always carry out an accuracy check before continuing work if the measuring tool has been subjected to severe external influences (see “Leveling Accuracy”, page 12).

⚠ WARNING Switch the measuring tool off when transporting it. The pendulum unit is locked when the tool is switched off, as it can otherwise be damaged by extreme movements.

Switching On/Off

To **switch on** the measuring tool, slide the on/off switch **(2)** to the “On” position. As soon as it is switched on, the measuring tool emits laser beams from the laser beam outlet window **(1)**.

⚠ WARNING Do not direct the laser beam at persons or animals and do not stare into the laser beam yourself (even from a distance). Serious eye injury could result.

To **switch off** the measuring tool, slide the on/off switch **(2)** to the Off position. The pendulum unit is locked when the tool is switched off.

⚠ WARNING Never leave the measuring tool unattended when switched on, and ensure the measuring tool is switched off after use. Others may be blinded by the laser beam.

Automatic Shut-off

If no button on the measuring tool is pressed for approx. 120 min, the measuring tool will automatically switch itself off to preserve battery life.

To switch the measuring tool back on after it has been automatically switched off, you can either slide the on/off switch **(2)** to the "Off" position first and then switch the measuring tool back on, or press the laser operating mode button **(4)**.

To deactivate the automatic shut-off function, hold down the laser mode button **(4)** for at least 3 s (with the measuring tool switched on). If the automatic shut-off function is deactivated, the laser beams will flash briefly as confirmation.

To activate the automatic shut-off function, switch the measuring tool off and on again.

Operating Modes

The measuring tool has three operating modes, which you can toggle through with the laser mode button **(4)**:

- **Cross-line mode (see figure A):**
Generates one horizontal and one vertical laser line
- **Horizontal mode (see figure B):**
Generates one horizontal laser line
- **Vertical mode (see figure C):** Generates one vertical laser line

To change the operating mode, press the button for laser operating mode **(4)** as often as required until the laser beams are generated in the required operating mode.

All operating modes can be used with both automatic leveling and the incline function.

Automatic Leveling

The measuring tool monitors its position at all times during operation. It works with automatic leveling during set-up within the self-leveling range of $\pm 4^\circ$. Outside of the self-leveling range, it will automatically switch to the incline function.

Working with automatic leveling (see figures A–C)

Position the measuring tool on a level, firm surface or attach it to the magnetic mount bracket LB 10 **(10)** or the tripod **(17)**.

The automatic leveling function automatically compensates irregularities within the self-leveling range of $\pm 4^\circ$. Once the laser beam is permanently lit, the measuring tool has levelled in.

If automatic leveling is not possible, e.g. because the surface on which the measuring tool stands deviates by more than 4° from the horizontal plane, the laser lines will initially flash rapidly for 2 seconds, then flash rapidly every 5 seconds. The measuring tool is in the incline function.

In case of ground vibrations or position changes during operation, the measuring tool is automatically leveled again. Upon leveling, check the position of the laser beams with regard to the reference points to avoid errors arising from a change in the measuring tool's position.

Working with the Incline Function (see figure K)

Place the measuring tool on an inclined surface. When working with the incline function, the laser lines will initially flash rapidly for 2 seconds, then flash rapidly every 5 seconds.

In the incline function, the laser lines are no longer leveled and no longer necessarily run perpendicular to one another.

Leveling Accuracy

Influences on Accuracy

The ambient temperature has the greatest influence. Especially temperature differences occurring from the ground upward can refract the laser beam.

Since the largest difference in temperature layers is close to the ground, you should mount the measuring tool on a tripod and position it in the center of the work surface, wherever this is possible.

In addition to external influences, device-specific influences (e.g. falls or heavy impacts) can also lead to deviations. For this reason, check the leveling accuracy each time before beginning work.

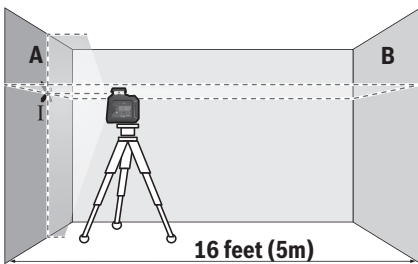
First check the height accuracy and leveling accuracy of the horizontal laser line, then the leveling accuracy of the vertical laser line.

Should the measuring tool exceed the maximum deviation during one of the tests, please have it repaired by a Bosch after-sales service.

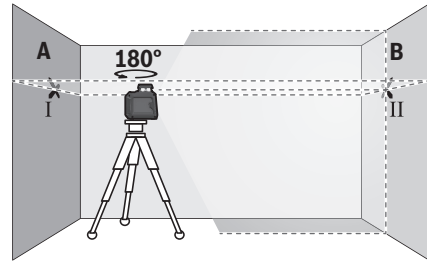
Checking the Height Accuracy of the Horizontal Line

For this check, you will need a free measuring distance of 16 ft (5 m) on firm ground between two walls (designated A and B).

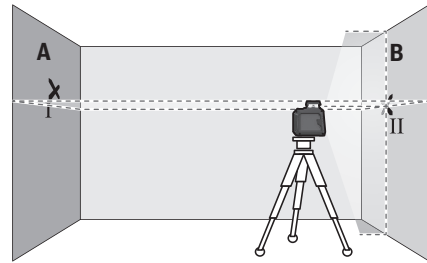
- Mount the measuring tool close to wall A on a tripod, or place it on a firm, level surface. Switch on the measuring tool and select cross-line operation.



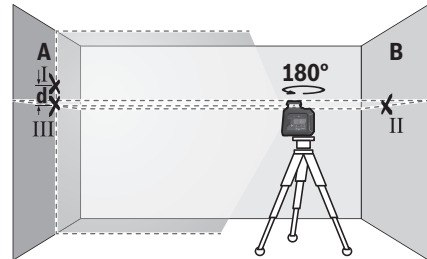
- Aim the laser at the closer wall A and allow the measuring tool to level in. Mark the middle of the point at which the laser lines cross on the wall (point I).



- Turn the measuring tool 180°, allow it to level in and mark the point where the laser lines cross on the opposite wall B (point II).
- Position the measuring tool – without rotating it – close to wall B, switch it on and allow it to level in.



- Align the height of the measuring tool (using the tripod or by placing objects underneath as required) so that the point where the laser lines cross exactly hits the previously marked point II on wall B.



- Turn the measuring tool 180° without adjusting the height. Aim it at wall A such that the vertical laser line runs through the already marked point I. Allow the measuring tool to level in and mark the point where the laser lines cross on wall A (point III).

- The discrepancy **d** between the two marked points I and III on wall A reveals the actual height deviation of the measuring tool.

The maximum permitted deviation on the measuring distance of $2 \times 16 \text{ ft} = 36 \text{ ft}$ ($2 \times 5 \text{ m} = 10 \text{ m}$) is as follows:

$$32 \text{ ft} \times \pm 0.0048 \text{ in/ft} = \pm 3/16 \text{ in} \text{ (0.154 in)}$$

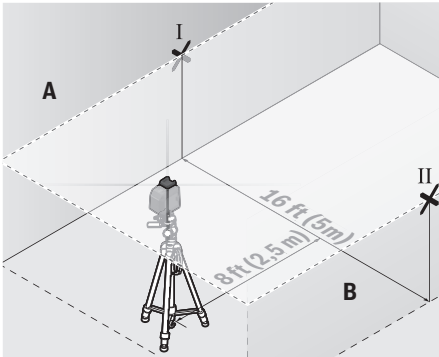
$$(10 \text{ m} \times \pm 0.4 \text{ mm/m} = \pm 4 \text{ mm})$$

The discrepancy **d** between points I and III must therefore amount to no more than 4 mm.

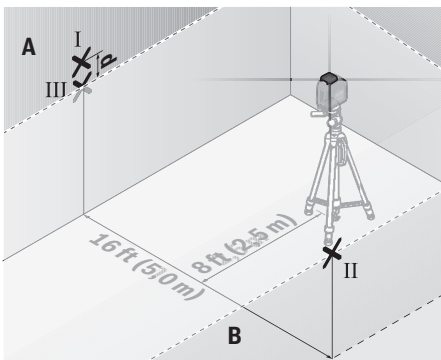
Checking the Leveling Accuracy of the Horizontal Line

For this check, you will need a free area of $16 \times 16 \text{ ft}$ ($5 \times 5 \text{ m}$).

- Mount the measuring tool in the middle between walls A and B on a tripod, or place it on a firm, level surface. Switch on the measuring tool and select horizontal operation. Allow the measuring tool to level in.



- At a distance of 8 ft (2.5 m) from the measuring tool, mark the center of the laser line on both walls (point I on wall A and point II on wall B).



- Set up the measuring tool at a 16 ft (5 m) distance and rotated by 180° and allow it to level in.

- Align the height of the measuring tool (using the tripod or by placing objects underneath as required) so that the center of the laser line exactly hits the previously marked point II on wall B.

- Mark the center of the laser line on wall A as point III (vertically above or below point I).

- The discrepancy **d** between the two marked points I and III on wall A reveals the actual horizontal deviation of the measuring tool.

The maximum permitted deviation on the measuring distance of $2 \times 16 \text{ ft} = 32 \text{ ft}$ ($2 \times 5 \text{ m} = 10 \text{ m}$) is as follows:

$$32 \text{ ft} \times \pm 0.0048 \text{ in/ft} = \pm 3/16 \text{ in} \text{ (0.154 in)}$$

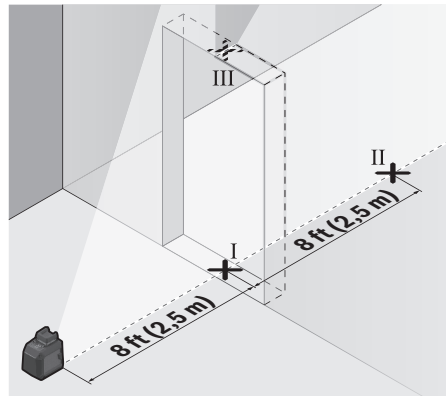
$$(10 \text{ m} \times \pm 0.4 \text{ mm/m} = \pm 4 \text{ mm})$$

The discrepancy **d** between points I and III must therefore amount to no more than 4 mm.

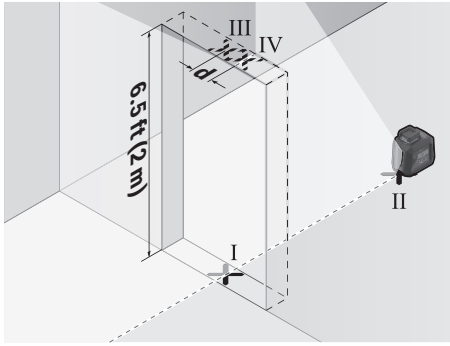
Checking the Leveling Accuracy of the Vertical Line

For this check, you will need a door opening (on solid ground) which has at least 8 ft (2.5 m) of space either side of the door.

- Place the measuring tool 8 ft (2.5 m) away from the door opening on a firm, flat surface (not on a tripod). Switch on the measuring tool and select vertical operation. Aim the laser line at the door opening and allow the measuring tool to level in.



- Mark the center of the vertical laser line on the floor of the door opening (point I), 16 ft (5 m) away on the other side of the door opening (point II) and on the upper edge of the door opening (point III).



- Rotate the measuring tool 180° and position it on the other side of the door opening, directly behind point II. Allow the measuring tool to level in and align the vertical laser line in such a way that its center passes through points I and II exactly.
- Mark the center of the laser line on the upper edge of the door opening as point IV.

- The discrepancy **d** between the two marked points III and IV reveals the actual vertical deviation of the measuring tool.
- Measure the height of the door opening.

You can calculate the maximum permitted deviation as follows:

Doubled height of the door opening × 0.0048 in/ft (0.4 mm/m)

Example: At a door opening height of 6.5 ft (2 m), the maximum deviation amounts to
 $2 \times 6.5 \text{ ft} \times \pm 0.0048 \text{ in/ft} = 0.062 \text{ in}$
 $(2 \times 2 \text{ m} \times \pm 0.4 \text{ mm/m} = \pm 1.6 \text{ mm})$

The points III and IV must therefore be no further than 0.062 in (1.6 mm) from each other.

Working Advice

- Only the center of the laser line must be used for marking. The width of the laser line changes depending on the distance.

Use with Attachments

Working with the Magnetic Mounting Bracket LB 10 (see figures D–G)

You can secure the measuring tool on vertical surfaces or magnetisable materials using the magnetic mounting bracket (10). In conjunction with the ceiling clip (14), the measuring tool can also be aligned vertically.

Place the measuring tool with the 1/4" tripod mount (7) on the 1/4" screw (12) of the bracket and screw it tight.

Attachment options for the magnetic mounting bracket (10):

- Using a commercially available fastening screw, it can be attached via the screw hole (13) to drywall or wood (see figure E)
- Using the magnets (11), it can be attached to metallic surfaces (see figure F)
- Using the ceiling clip (14), it can be attached to crown mouldings (see figure G)

Roughly align the magnetic mounting bracket (10) before switching on the measuring tool.

Working with the Laser Target Plate

The laser target plate (16) improves visibility of the laser beam in unfavourable conditions and at greater distances.

The reflective half of the laser target plate (16) improves visibility of the laser line. The transparent half enables the laser line to be seen from behind the laser target plate.

Working with the Tripod (Accessory)

A tripod offers a stable, height-adjustable support surface for measuring. Place the measuring tool with the 1/4" tripod mount (7) on the thread of the tripod (17) or a conventional camera tripod. Tighten the measuring tool using the locking screw of the tripod.

Roughly align the tripod before switching on the measuring tool.

Securing with the universal Positioning Device BM 1 (accessory)

Using the universal positioning device (15), you can secure the measuring tool on vertical surfaces, magnetizable materials, for example. The universal positioning device is also suitable for use as a building tripod and facilitates height adjustment of the measuring tool.

Roughly align the universal holder (15) before switching on the measuring tool.

Laser Enhancement Glasses (Accessory)

The laser goggles filter out ambient light. This makes the light of the laser appear brighter to the eye.

- **Do not use the laser glasses as protective glasses.** The laser glasses make the laser beam easier to see; they do not protect you against laser radiation.
- **Do not use the laser glasses as sunglasses or while driving.** The laser glasses do not provide full UV protection and impair your ability to see colours.

Example applications (see figures H–K)

Examples of possible applications for the measuring tool can be found on the graphics pages.

Maintenance and Service

Keep the tool clean at all times.

Do not immerse the tool into water or other fluids.

Wipe off debris using a moist and soft cloth. Do not use any cleaning agents or solvents.

Regularly clean the surfaces at the exit opening of the laser in particular, and pay attention to any fluff of fibers.

If the tool should fail despite the care taken in manufacturing and testing procedures, repair should be carried out by an authorized after-sales service center for Bosch power tools.

In all correspondence and spare parts orders, please always include the 10-digit article number given on the type plate of the tool.

ENVIRONMENT PROTECTION

Recycle raw materials & batteries instead of disposing of waste. The unit, accessories, packaging & used batteries should be sorted for environmentally friendly recycling in accordance with the latest regulations.



LIMITED WARRANTY OF BOSCH LASER AND MEASURING TOOL PRODUCTS

Robert Bosch Tool Corporation ("Seller") warrants to the original purchaser only, that all Bosch lasers and measuring tools will be free from defects in material or workmanship for a period of one (1) year from date of purchase. Bosch will extend warranty coverage to two (2) years when you register your product within eight (8) weeks after date of purchase. Product registration card must be complete and mailed to Bosch (postmarked within eight weeks after date of purchase), or you may register on-line at www.boschtools.com/Service/ProductRegistration. If you choose not to register your product, a one (1) year limited warranty will apply to your product.

30 Day Money Back Refund or Replacement -

If you are not completely satisfied with the performance of your laser and measuring tools, for any reason, you can return it to your Bosch dealer within 30 days of the date of purchase for a full refund or replacement. To obtain this 30-Day Refund or Replacement, your return must be accompanied by the original receipt for purchase of the laser or optical instrument product. A maximum of 2 returns per customer will be permitted.

SELLER'S SOLE OBLIGATION AND YOUR EXCLUSIVE REMEDY under this Limited Warranty and, to the extent permitted by law, any warranty or condition implied by law, shall be the repair or replacement of parts, without charge, which are defective in material or workmanship and which have not been misused, carelessly handled, or misrepaired by persons other than Seller or Authorized Service Center. To make a claim under this Limited Warranty, you must return the complete Bosch laser or measuring tool, transportation prepaid, to any BOSCH Factory Service Center or Authorized Service Center. Please include a dated proof of purchase with your tool. For locations of nearby service centers, please use our on-line service locator or call 1-877-267-2499.

THIS WARRANTY PROGRAM DOES NOT APPLY TO TRIPODS AND RODS. Robert Bosch Tool Corporation ("Seller") warrants tripods and leveling rods for a period of one (1) year from date of purchase.

THIS LIMITED WARRANTY DOES NOT APPLY TO OTHER ACCESSORY ITEMS AND RELATED ITEMS. THESE ITEMS RECEIVE A 90 DAY LIMITED WARRANTY.

To make a claim under this Limited Warranty, you must return the complete product, transportation prepaid. For details to make a claim under this Limited Warranty please visit www.boschtools.com or call 1-877-267-2499.

ANY IMPLIED WARRANTIES SHALL BE LIMITED IN DURATION TO ONE YEAR FROM DATE OF PURCHASE. SOME STATES IN THE U.S., AND SOME CANADIAN PROVINCES DO NOT ALLOW LIMITATIONS ON HOW LONG AN IMPLIED WARRANTY LASTS, SO THE ABOVE LIMITATION MAY NOT APPLY TO YOU.



IN NO EVENT SHALL SELLER BE LIABLE FOR ANY INCIDENTAL OR CONSEQUENTIAL DAMAGES (INCLUDING BUT NOT LIMITED TO LIABILITY FOR LOSS OF PROFITS) ARISING FROM THE SALE OR USE OF THIS PRODUCT. SOME STATES IN THE U.S., AND SOME CANADIAN PROVINCES DO NOT ALLOW THE EXCLUSION OR LIMITATION OF INCIDENTAL OR CONSEQUENTIAL DAMAGES, SO THE ABOVE LIMITATION MAY NOT APPLY TO YOU.

THIS LIMITED WARRANTY GIVES YOU SPECIFIC LEGAL RIGHTS, AND YOU MAY ALSO HAVE OTHER RIGHTS WHICH VARY FROM STATE TO STATE IN THE U.S., OR PROVINCE TO PROVINCE IN CANADA AND FROM COUNTRY TO COUNTRY.

THIS LIMITED WARRANTY APPLIES ONLY TO PRODUCTS SOLD WITHIN THE UNITED STATES OF AMERICA, CANADA AND THE COMMONWEALTH OF PUERTO RICO. FOR WARRANTY COVERAGE WITHIN OTHER COUNTRIES, CONTACT YOUR LOCAL BOSCH DEALER OR IMPORTER.

Symboles relatifs à la sécurité

Les définitions ci-dessous décrivent le niveau de gravité pour chaque terme signalant un danger. Veuillez lire le mode d'emploi et lire la signification de ces symboles.

	C'est le symbole d'alerte relatif à la sécurité. Il est utilisé pour vous avertir de l'existence possible d'un danger de lésion corporelle. Obéissez à tous les messages relatifs à la sécurité qui suivent ce symbole pour éviter tout risque de blessure ou même de mort.
	Symbole de lecture du mode d'emploi - Alerte l'utilisateur pour lire le mode d'emploi.
⚠ DANGER	DANGER indique une situation dangereuse qui, si elle n'est pas évitée, causera la mort d'une personne ou une blessure grave.
⚠ AVERTISSEMENT	AVERTISSEMENT indique une situation dangereuse qui, si elle n'est pas évitée, pourrait causer la mort d'une personne ou une blessure grave.
⚠ MISE EN GARDE	MISE EN GARDE indique une situation dangereuse qui, si elle n'est pas évitée, pourrait causer une blessure légère ou modérée.

Consignes générales de sécurité

⚠ AVERTISSEMENT Lisez toutes les instructions. Le non-respect de toutes les instructions figurant ci-dessous risquerait de causer une exposition dangereuse aux rayonnements, un choc électrique, un incendie et/ou des blessures graves. L'expression « instrument de topologies » dans tous les avertissements figurant plus bas fait référence à votre instrument de mesure, de détection et de tracé de topologies branché sur le secteur (avec cordon) ou à votre instrument de mesure, de détection et de tracé de topologies à piles (sans fil).

⚠ AVERTISSEMENT Les étiquettes suivantes sont apposées sur votre instrument laser pour votre commodité et votre sécurité. Elles indiquent où la lumière laser est émise par le instrument. IL FAUT TOUJOURS CONNAÎTRE sa position lors de l'utilisation du instrument.



Ne dirigez pas le faisceau laser en direction de personnes ou d'animaux, et ne regardez pas directement le faisceau laser vous-même. Cet instrument produit des rayonnements laser de classe 2 et est conforme aux normes 21 CFR 1040.10 et

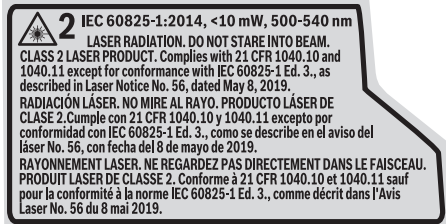
1040.11, à l'exception des déviations en vertu de l'Avis relatif au laser N° 50 daté du 24 juin 2007. Ceci risquerait de causer l'aveuglement des personnes affectées.

NE RETIREZ PAS et n'effacez pas des étiquettes d'avertissement ou de mise en garde. Le retrait de telles étiquettes augmente le risque d'exposition aux rayonnements laser. L'emploi de commandes ou de réglages autres que ceux qui sont indiqués dans ce mode d'emploi risquerait de causer une exposition dangereuse aux rayonnements.

ASSUREZ-VOUS TOUJOURS que les personnes présentes aux environs de l'endroit où vous employez cet instrument sont au courant des dangers résultant de l'observation directe du faisceau laser.

NE PLACEZ PAS l'instrument dans une position telle que cela permettrait à quiconque de regarder directement le faisceau laser intentionnellement ou non. Ceci risquerait de causer des blessures graves aux yeux.

POSITIONNEZ TOUJOURS l'instrument de façon qu'il soit stable. La chute de l'instrument risquerait d'endommager ce dernier et/ou de causer des blessures graves à son utilisateur.



N'UTILISEZ TOUJOURS que les accessoires qui sont recommandés par le fabricant de votre instrument. L'emploi d'accessoires qui ont été conçus pour emploi avec d'autres outils risquerait de causer des blessures graves.

N'UTILISEZ PAS cet instrument dans un but autre que ceux qui sont indiqués dans ce mode d'emploi. Ceci risquerait de causer des blessures graves.

NE LAISSEZ PAS l'instrument allumé (« ON ») sans surveillance dans un mode de fonctionnement quelconque.

NE DÉMONTÉZ PAS l'instrument. Il ne contient aucune pièce pouvant être réparée par l'utilisateur. Ne modifiez ce produit en aucune façon. Toute modification de cet instrument risquerait de causer une exposition dangereuse aux rayonnements.

N'UTILISEZ PAS les verres de visionnement du laser à la place de lunettes de protection. Les verres de visionnement du laser sont utilisés pour améliorer la visualisation du faisceau laser, mais ils ne protègent pas contre les rayonnements laser.

N'UTILISEZ PAS pas les verres de visionnement du laser en guise de lunette de soleil ou lorsque vous conduisez un véhicule. Ces verres n'assurent pas une protection complète contre les rayons UV et ils réduisent la perception des couleurs.

N'UTILISEZ PAS d'instruments optiques tels, que, entre autres, des télescopes ou des lunettes d'astronome pour regarder le faisceau laser. Ceci risquerait de causer des blessures graves aux yeux.

NE FIXEZ PAS directement des yeux le faisceau laser et ne projetez pas la faisceau laser directement dans les yeux d'autres personnes. Ceci risquerait de causer des blessures graves aux yeux.

Sécurité sur le lieu de travail

Maintenez votre lieu de travail propre et bien éclairé. Les lieux de travail encombrés ou sombres invitent les accidents.

N'UTILISEZ PAS l'instrument laser à proximité d'enfants, et ne laissez pas des enfants se servir de l'instrument laser. Cela risquerait de produire des blessures graves aux yeux.

N'utilisez PAS d'outils de mesure, d'attache-ments et d'accessoires à l'extérieur lorsque des conditions de foudre sont présentes.

Sécurité électrique

⚠ AVERTISSEMENT Les piles risquent d'exploser ou de fuir, et de causer des blessures ou un incendie. Afin de réduire ce risque, suivez toujours toutes les instructions et tous les avertissements figurant sur l'étiquette des piles et sur l'emballage.

NE COURT-CIRCUITEZ PAS de bornes des piles.

NE RECHARGEZ PAS des piles alcalines.

NE MÉLANGEZ PAS des piles neuves et des piles usagées. Remplacez toutes les piles en même temps par des piles neuves de la même marque et du même type.

NE MÉLANGEZ PAS des piles ayant des compositions chimiques différentes.

Jetez ou recyclez les piles conformément aux règlements du code local.

NE JETEZ PAS des piles dans un feu.

Gardez les piles hors de la portée des enfants.

Retirez les piles si vous ne pensez pas utiliser cet instrument pendant plusieurs mois.

Sécurité personnelle

Restez alerte, surveillez ce que vous êtes en train de faire et faites preuve de bons sens lorsque vous utilisez un quelconque outil. N'utilisez pas un outil pendant que vous êtes fatigué(e) ou sous l'influence de drogues, d'alcool ou de médicaments. Un moment d'inattention pendant que vous vous servez d'un outil risquerait de causer de graves blessures personnelles ou de produire des résultats de mesures imprécis.

Utilisez des équipements de sécurité. Portez toujours une protection des yeux. Des équipements tels que des masques antipoussières, des chaussures de sécurité antidérapantes, un casque ou une protection des oreilles utilisés pour les conditions appropriées réduiront les blessures corporelles.

N'utilisez PAS d'outils optiques tels que, sans toutefois s'y limiter, des télescopes ou des transits pour observer le faisceau laser. Ceci pourrait causer de graves blessures aux yeux.

Ne regardez PAS directement la source du faisceau laser et ne projetez pas le faisceau laser directement dans les yeux d'une autre personne. Ceci pourrait causer de graves blessures aux yeux.

Prenez des précautions lorsque vous utilisez des instruments de mesure à proximité de sources de dangers électriques.

Aimants



Gardez l'outil, le support de montage LB 10 (10), le dispositif de positionnement BM 1 (15), et la plaque cible laser (16) à l'écart des implants ou d'autres dispositifs médicaux tels que stimulateur cardiaque ou pompes à insuline. Les aimants de l'appareil de mesure et de la platine de mesure laser génèrent un champ qui peut entraver le fonctionnement des stimulateurs cardiaques.

Gardez l'outil, le support de montage LB 10 (10), le dispositif de positionnement BM 1 (15), et la plaque cible laser (16) à l'écart du support de stockage de données magnétiques et des équipements magnétiquement sensibles. L'effet des aimants de l'appareil de mesure et de la platine de mesure laser peut entraîner des pertes de données irréversibles.

Utilisation et entretien

Utilisez l'outil correct pour votre application. L'instrument de mesure, de détection et de tracé de topologies correct vous permettra de faire un meilleur travail et avec plus de sécurité à la vitesse pour laquelle il a été conçu.

N'utilisez pas cet instrument si l'interrupteur ne s'allume pas ou ne s'éteint pas. Un instrument qui ne peut pas être contrôlé par son interrupteur est dangereux et doit être réparé.

Rangez l'instrument hors de la portée des enfants lorsque vous ne vous en servez pas, et ne laissez pas de personnes ne connaissant pas bien cet instrument ou n'ayant pas lu ce mode d'emploi mettre l'outil en marche. De tels instruments pourraient être dangereux entre les

mains d'utilisateurs n'ayant pas reçu la formation nécessaire à leur utilisation.

Entretenez vos instruments. Assurez-vous que les pièces sont alignées correctement et que les pièces mobiles ne se coincent pas, qu'il n'y a pas de pièces brisées ou d'autres conditions pouvant affecter le fonctionnement. Réparez tout instrument endommagé avant de vous en servir. De nombreux accidents par des instruments de mesure, de détection et de tracé de topologies mal entretenus.

Utilisez l'outil, les accessoires, etc. conformément à ce mode d'emploi et de la manière prévue pour le type particulier d'instrument, en tenant compte des conditions de travail à réaliser. L'emploi de cet instrument pour des opérations différentes de celles qui sont indiqués dans le mode d'emploi risquerait de causer une situation dangereuse.

Service après-vente

Faites réparer votre instrument par un réparateur agréé n'utilisant que des pièces de rechange identiques. Ceci assurera le respect des prescriptions de sécurité pour l'instrument.

Préparez un calendrier de maintenance périodique pour l'instrument. Lorsque vous nettoyez un instrument, faites attention de ne pas démonter une partie quelconque de l'instrument étant donné que des fils internes risqueraient d'être déplacés ou pincés, ou qu'ils pourraient être remontés de façon incorrecte. Certains produits de nettoyage tels que de l'essence, du tétrachlorure de carbone, de l'ammoniac, etc. risqueraient d'endommager les composants en plastique.

CONSERVEZ CES INSTRUCTIONS.

Emploi prévu

L'outil de mesure est conçu pour déterminer et vérifier les lignes horizontales et verticales. L'outil de mesure est approprié pour mesurer à l'intérieur comme à l'extérieur.

Features

La numérotation des différents éléments du produit montrée fait référence à l'illustration de l'instrument sur la page des schémas.

- | | |
|---|--|
| 1 Ouverture de sortie pour le faisceau laser | 10 Support de montage magnétique (LB 10) |
| 2 Interrupteur Marche/Arrêt | 11 Aimants |
| 3 Voyant d'indication de charge des piles | 12 Vis 1/4" du support |
| 4 Bouton pour le mode de fonctionnement | 13 Trou de vis du support |
| 5 Étiquette d'avertissement laser | 14 Clip de plafond (DK 10) * |
| 6 Numéro de série | 15 Dispositif de positionnement (BM 1)* |
| 7 Support de montage sur trépied à filet de 1/4 po | 16 Plaque cible laser* |
| 8 Mécanisme de verrouillage du couvercle du compartiment des piles | 17 Trépied compact (BT 150)* |
| 9 Couvercle du compartiment des piles | 18 Système de perche télescopique (BT 350)* |
| | 19 Lunettes d'amélioration laser* |

*Les accessoires illustrés ou décrits ne sont pas inclus dans la fourniture standard de l'instrument.

Données techniques

Numéro de modèle	GLL50-40G
Article Number	3 601 K65 ...
Zone de travail (typique) ^{A)}	100 pi (30 m)
Précision de nivellement ^{B)C)D)}	±3/16 in. at 30 ft (±0.4 mm/m)
Plage typique de nivellement automatique	±4°
Temps typique de nivellement	<4s
Température de service	23°F ~ 122 °F (-10°C ~ +50 °C)
Température de stockage	-4°F ~ 158 °F (-20°C ~ +70 °C)
Altitude max.	6560 ft (2000 m)
Humidité relative de l'air max	90 %
Degré de pollution selon la norme CEI 61010 ^{E)}	2
Classe laser	2
Type de laser	500–540 nm <10mW
C ₆	10
Divergence of laser line	30 x 20 mrad (full angle)
Raccord de trépied	1/4"-20
Piles	4 x 1.5V LR6 (AA)
Poids	1.26 lb (0,57 kg)
Dimensions	
- Sans LB 10	5 x 2,5 x 4,5 po (126 x 63 x 115 mm)
- Avec LB 10	5,7 x 2,5 x 5,3 po (145 x 63 x 134 mm)
Degré de protection	IP 64 (protégé contre la poussière et les éclaboussures)

A) La zone de travail peut, dans des conditions défavorables, être réduite (par ex. exposition directe soleil).

B) à 68-77 ° F (20-25 ° C)

C) Les valeurs indiquées sont basées sur l'existence de conditions environnementales normales ou favorables (p. ex., sans vibrations, sans brouillard, sans fumée, sans lumière directe du soleil). Des fluctuations extrêmes de la température peuvent causer des déviations réduisant l'exactitude.

D) S'applique au point d'intersection et aux angles correspondants 90 ° / 180 ° / 270 °

E) Seuls des dépôts non conducteurs surviennent, mais on peut s'attendre à une conductivité temporaire occasionnelle causée par la condensation.

Le numéro de série **(6)** qui se trouve sur la plaque signalétique permet une identification précise de votre appareil.

Préparation

Mise en place/changement des piles

Pour le fonctionnement de l'appareil de mesure, nous recommandons d'utiliser des piles alcalines au manganèse.

Poussez le mécanisme de verrouillage (8) vers le haut pour ouvrir le couvercle du compartiment des piles (9), puis détachez le couvercle du compartiment des piles. Insérez les piles.

Insérez les piles avec les polarités correctes, comme illustré sur l'intérieur du couvercle du compartiment des piles.

Le voyant de niveau de charge des piles (3) indique toujours l'état de charge actuel des piles : Si le niveau de charge des piles est faible, les traits laser seront de moins en moins

visibles. Si les piles sont presque complètement déchargées, le voyant de niveau de charge commence à clignoter continuellement et les traits laser clignoteront toutes les 5 minutes pendant 5 secondes jusqu'à ce que l'outil cesse de fonctionner. Si les piles sont complètement déchargées, les traits laser et le voyant de niveau de charge des piles clignoteront une fois avant que l'outil de mesure cesse de fonctionner.

Toujours remplacer toutes les piles en même temps. N'utiliser que des piles de la même marque avec la même capacité.

⚠ AVERTISSEMENT Sortir les piles de l'appareil de mesure au cas l'appareil ne serait pas utilisé pour une période assez longue. En cas de stockage long, les piles peuvent corroder et se décharger.

Consignes d'utilisation

Mise en service

⚠ AVERTISSEMENT Protéger l'appareil de mesure contre l'humidité, ne pas l'exposer aux rayons directs du soleil.

⚠ AVERTISSEMENT Ne pas exposer l'appareil de mesure à des températures extrêmes ou de forts changements de température. Ne le laissez pas traîner longtemps dans la voiture par ex. En cas d'importants changements de température, laissez l'appareil de mesure prendre la température ambiante avant de le mettre en service. Des températures extrêmes ou de forts changement de température peuvent entraver la précision de l'appareil de mesure.

⚠ AVERTISSEMENT Eviter les chocs ou les chutes de l'appareil de mesure. Lorsque l'appareil de mesure a été soumis à de fortes influences extérieures, toujours effectuer un contrôle de précision avant de continuer à travailler (voir « Précision de nivellement »).

⚠ AVERTISSEMENT Éteignez l'appareil de mesure quand vous le transportez. Lorsque l'appareil est éteint, l'unité pendulaire se verrouille afin de prévenir son endommagement lors de mouvements forts.

Mise en Marche/Arrêt

Pour mettre en marche l'appareil de mesure, poussez l'interrupteur Marche/Arrêt (2) dans la position « on ». Immédiatement après avoir été mis en marche, l'appareil de mesure projète un faisceau laser à travers les orifices de sortie (1).

⚠ AVERTISSEMENT Ne pas diriger le faisceau laser vers des personnes ou des animaux et ne jamais regarder ans le faisceau laser, même si vous tes grande distance de ce dernier. Des blessures graves aux yeux pourraient en résulter.

Pour éteindre l'appareil de mesure, poussez l'interrupteur Marche/Arrêt (2) dans la position « off ». Lorsque l'appareil est éteint, l'unité pendulaire est verrouillée.

⚠ AVERTISSEMENT Ne laissez pas sans surveillance l'appareil de mesure allumé et éteignez-le après l'utilisation. D'autres personnes pourraient être éblouies par le faisceau laser.

Coupure automatique

Si l'on n'appuie sur aucune touche sur l'appareil de mesure pendant env. 120 min, l'appareil de mesure s'arrête automatiquement afin de ménager les piles.

Pour remettre l'appareil de mesure en marche après la coupure automatique, vous pouvez d'abord pousser l'interrupteur Marche/Arrêt (2) sur la position « off » puis remettre ensuite l'appareil de mesure en marche ou bien appuyer une fois sur la touche Mode de fonctionnement (4).

Afin de désactiver la coupure automatique, maintenir appuyée (l'appareil de mesure mis en marche) la touche du mode de fonctionnement (4) pendant au moins 3 s. Si la coupure automatique est désactivée, les faisceaux laser clignotent brièvement pour confirmer.

Pour activer la coupure automatique, arrêtez l'appareil et remettez-le en marche.

Modes opératoires

L'outil de mesure comporte trois modes de fonctionnement, entre lesquels vous pouvez alterner au moyen du bouton de mode laser (3) :

- **Mode ligne croisée (voir figure A) :** génère une ligne laser horizontale et une ligne laser verticale
- **Mode horizontal (voir figure B) :** génère une ligne laser horizontale
- **Mode vertical (voir figure C) :** génère une ligne laser verticale

Pour changer le mode de fonctionnement, appuyez sur le bouton pour le mode de fonctionnement du laser (4) aussi souvent que nécessaire jusqu'à ce que des faisceaux laser soient produits dans le mode de fonctionnement requis.

Tous les modes de fonctionnement peuvent être utilisés avec à la fois la fonction de mise à niveau automatique et la fonction d'inclinaison.

Nivellement automatique

L'outil de mesure surveille la position tout au long de l'opération en cours. Il fonctionne avec la fonction de mise à niveau automatique pendant la configuration à l'intérieur de la plage de mise à niveau automatique de $\pm 4^\circ$. À l'extérieur de la plage de mise à niveau automatique, il passera automatiquement à la fonction d'inclinaison.

Travailler sans nivellement automatique (voir Figures A-C)

Positionnez l'outil de mesure sur une surface plane et ferme ou fixez-le au support de montage magnétique LB 10 (10) ou au trépied (17).

La fonction de mise à niveau automatique compense automatiquement les irrégularités dans la plage de mise à niveau automatique de $\pm 4^\circ$. Une fois que le faisceau laser est allumé en permanence, l'outil de mesure est mis à niveau de façon stable.

Si la fonction de mise à niveau automatique n'est pas possible, p. ex., parce que la surface sur laquelle l'outil de mesure est placé dévie du plan horizontal de plus de 4° , les faisceaux laser clignotent rapidement initialement pendant deux secondes, puis ils clignotent rapidement toutes les cinq secondes. L'outil de mesure est alors dans le mode de fonctionnement incliné.

En cas de vibrations du sol ou de changements de la position pendant le fonctionnement, l'outil de mesure est automatiquement remis à niveau. À l'issue de la mise à niveau, vérifiez la position des faisceaux laser par rapport aux points de référence pour éviter les erreurs résultant d'un changement dans la position de l'outil de mesure.

Travail avec la fonction d'inclinaison (voir Figure K)

Placez l'outil de mesure sur une surface inclinée. Lorsque vous travaillez avec la fonction d'inclinaison, les lignes laser clignoteront rapidement initialement pendant deux secondes, puis elles clignoteront rapidement toutes les cinq secondes.

Dans la fonction d'inclinaison, les lignes laser ne sont plus mises à niveau, et elles ne sont plus nécessairement projetées perpendiculairement l'une par rapport à l'autre.

Précision de nivellement

Influences sur l'exactitude

C'est la température ambiante qui a le plus d'influence. Les différences de température intervenant en montant depuis le sol, en particulier, peuvent causer une déviation du faisceau laser.

Étant donné que la différence la plus grande entre les couches de températures est proche du sol, il faut toujours monter l'outil de mesure sur un trépied. De plus, positionnez l'outil de mesure au centre de la surface de travail chaque fois que cela est possible.

En plus des influences externes, certaines influences spécifiques provenant, par exemple, d'une chute ou d'un choc peuvent également entraîner des déviations. Pour cette raison, vérifiez l'exactitude de la mise à niveau à chaque fois avant de commencer à travailler avec cet instrument.

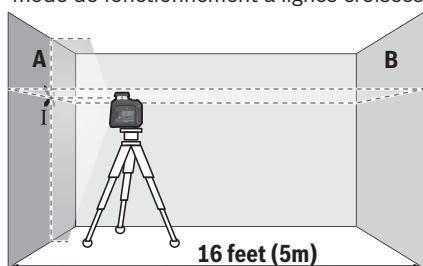
En premier lieu, vérifiez à la fois la hauteur et l'exactitude de la mise à niveau de la ligne laser horizontale, puis l'exactitude de la mise à niveau de la ligne laser verticale.

Si l'instrument de mesure dépasse la déviation maximum pendant l'un des tests, veuillez le faire réparer dans un center de service après-vente Bosch.

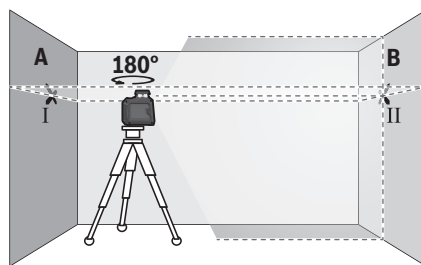
Vérification de l'exactitude de la hauteur de la ligne horizontale

Pour cette vérification, une distance de mesure libre de 16 pi (5 m) sur une surface ferme entre deux murs A et B est nécessaire.

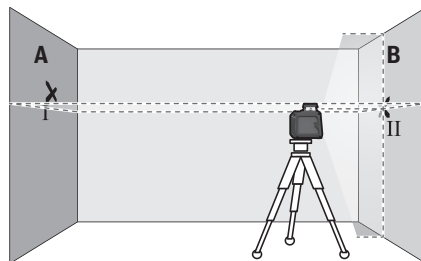
- Montez l'outil de mesure à proximité du mur A sur un trépied, ou placez-le sur une surface ferme et de niveau. Mettez l'outil de mesure sous tension et sélectionnez le mode de fonctionnement à lignes croisées.



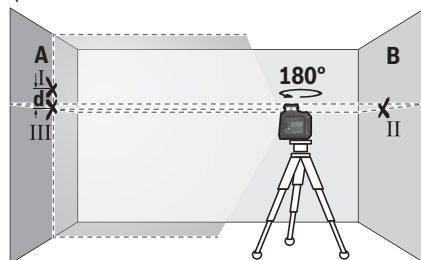
- Dirigez le laser contre le mur proche A et laissez l'instrument de mesure se mettre à niveau. Marquez le centre du point où les lignes laser se croisent sur le mur (point I).



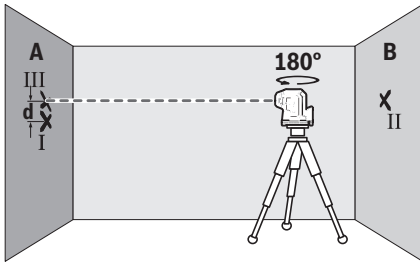
- Faites tourner l'instrument de mesure de 180°. Laissez-le se mettre à niveau et marquez le point d'intersection des lignes laser sur le mur opposé B (point II).
- Sans tourner l'instrument de mesure, positionnez-le près du mur B. Mettez cet instrument sous tension et laissez-le se mettre à niveau.



- Alignez la hauteur de l'instrument de mesure (en utilisant un trépied ou une couche de support supplémentaire, si nécessaire) de telle manière que le point de croisement des lignes laser soit projeté contre le point II ayant été marqué précédemment sur le mur B.



- Sans changer la hauteur, faites tourner l'instrument de mesure de 180°. Dirigez-le contre le mur A de telle manière que la ligne laser verticale traverse le point I déjà marqué. Attendez que l'instrument de mesure se mette à niveau et marquez le point d'intersection des lignes laser sur le mur A (point III).



- La différence **d** entre les deux points marqués I et III sur le mur A indique la déviation de hauteur réelle de l'instrument de mesure.

La déviation maximum permise sur la distance de mesure de $2 \times 16 \text{ pi} = 36 \text{ pi}$ ($2 \times 5 \text{ m} = 10 \text{ m}$) est la suivante :

$$32 \text{ ft} \times \pm 0.0048 \text{ in/ft} = \pm 3/16 \text{ in} \text{ (0.154 in)}$$

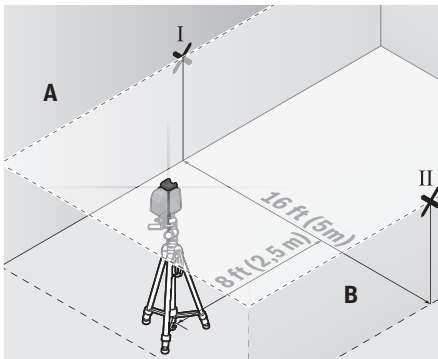
$$(10 \text{ m} \times \pm 0.4 \text{ mm/m} = \pm 4 \text{ mm})$$

L'écart « **d** » entre les points I et III ne doit donc pas être supérieur à 4 mm.

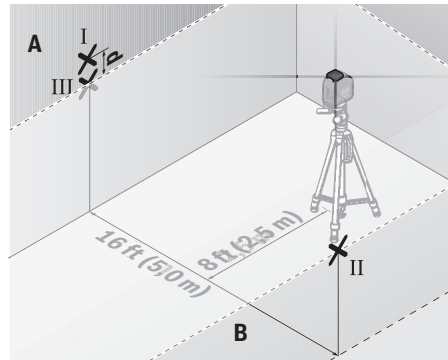
Vérification de l'exactitude de la mise à niveau de la ligne horizontale

Une aire ouverte d'environ $16 \times 16 \text{ pi}$ (5 m) est nécessaire pour pouvoir faire la vérification.

- Installez l'instrument de mesure sur une surface horizontale ferme entre les deux murs A et B. Laissez l'instrument de mesure se mettre à niveau pendant que vous êtes dans le mode de fonctionnement horizontal.



- À une distance de 8 pi (2,5 m) de l'instrument de mesure, marquez le centre de la ligne laser (point I sur le mur A et point II sur le mur B) sur les deux murs.



- Installez l'instrument de mesure à 16 pi (5 m) en le faisant tourner de 180°, et attendez qu'il se mette à niveau.
- Aligned la hauteur de l'instrument de mesure (en utilisant un trépied ou une couche de support supplémentaire, si nécessaire) de telle manière que le centre de la ligne laser soit projeté exactement contre le point II ayant été marqué précédemment sur le mur B.

- Marquez le centre de la ligne laser comme point III (verticalement au-dessus ou au-dessous du point I) sur le mur A.

- La différence **d** entre les deux points I et III marqués sur le mur A indique la déviation réelle de l'instrument de mesure par rapport au plan horizontal.

La déviation maximum permise sur la distance de mesure de $2 \times 16 \text{ pi} = 36 \text{ pi}$ ($2 \times 5 \text{ m} = 10 \text{ m}$) est la suivante :

$$32 \text{ ft} \times \pm 0.0048 \text{ in/ft} = \pm 3/16 \text{ in} \text{ (0.154 in)}$$

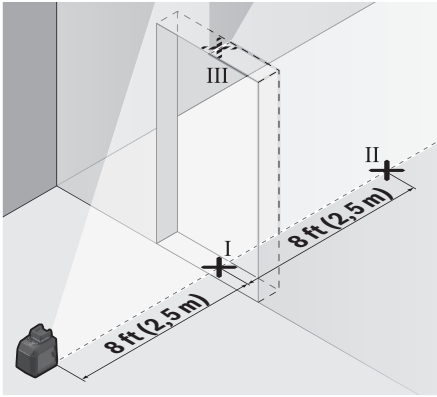
$$(10 \text{ m} \times \pm 0.4 \text{ mm/m} = \pm 4 \text{ mm})$$

L'écart « **d** » entre les points I et III ne doit donc pas être supérieur à 4 mm.

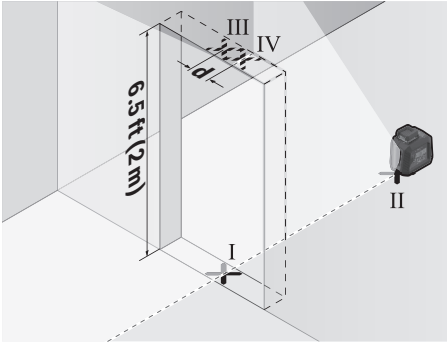
Vérification de l'exactitude de la mise à niveau de la ligne verticale

Pour pouvoir faire cette vérification, une ouverture de porte est requise avec au moins 8 pi (2,5 m) d'espace (sur une surface ferme) de chaque côté de la porte.

- Positionnez l'instrument de mesure sur une surface horizontale ferme (pas sur un trépied) à 8 pi (2,5 m) de distance de l'ouverture de la porte. Attendez que l'instrument de mesure se mette à niveau pendant que vous êtes dans le mode de fonctionnement à lignes croisées, et dirigez les faisceaux laser sur l'ouverture de la porte.



- Marquez le centre de la ligne laser verticale sur le sol de l'ouverture de la porte (point I), à une distance de 16 pi (5 m) au-delà de l'autre côté de l'ouverture de la porte (point II) et sur le côté supérieur de l'ouverture de la porte (point III).



- Tournez l'outil de mesure de 180 ° et positionnez-le de l'autre côté de l'ouverture de la porte, directement derrière le point II. Attendez que l'instrument de mesure se mette à niveau et alignez la ligne laser verticale de telle manière que son centre traverse exactement les points I et II.

- Marquez le centre de la ligne laser sur le bord supérieur de l'ouverture de la porte comme étant le point IV.
- L'écart « d » entre les deux points marqués III et IV révèle la déviation verticale réelle de l'outil de mesure.
- Mesurez la hauteur de l'ouverture de la porte.

La déviation maximum autorisée est calculée de la manière suivante :

Double de la hauteur de l'ouverture de la porte x 0.0048 in/ft (0.4 mm/m)

Exemple : avec une hauteur d'ouverture de porte de 6,5 pi (2 m), la déviation maximum permise est la suivante :

$$2 \times 6.5 \text{ ft} \times \pm 0.0048 \text{ in/ft} = 0.062 \text{ in}$$

$$(2 \times 2 \text{ m} \times \pm 0.4 \text{ mm/m} = \pm 1.6 \text{ mm})$$

Les points III et IV ne doivent donc pas être à plus de 0.062 in (1.6 mm) l'un de l'autre.

Instructions d'utilisation

- Pour marquer, n'utiliser toujours que le milieu de la ligne laser. La largeur de la ligne laser change avec la distance.

Utiliser avec la fixation

Travail avec le support de montage magnétique LB 10 (voir les figures D-G)

Vous pouvez sécuriser l'outil de mesure sur des surfaces verticales ou des matériaux magnétisables en utilisant le support de montage magnétique (10). Conjointement avec la pince de fixation au plafond (14), l'outil de mesure peut également être aligné verticalement.

Placer l'outil de mesure avec le support de trépied 1/4" (7) sur la vis 1/4" (12) du support et le visser à fond.

Options de fixation pour le support de montage magnétique (10):

- À l'aide d'une vis de fixation disponible dans le commerce, il peut être fixé via le trou de vis (13) sur une cloison sèche ou du bois (voir figure F)
- À l'aide des aimants (11), il peut être fixé sur des surfaces métalliques (voir figure G)
- À l'aide du clip de plafond (14), il peut être fixé aux moulures de couronne (voir figure H)

Alignez de façon approximative le support de montage magnétique (10) avant de mettre l'outil de mesure sous tension.

Travailler avec la mire de visée laser

La platine de mesure laser (16) améliore la visibilité du faisceau laser dans des conditions défavorables et pour des distances plus importantes.

La moitié réfléchissante de la platine de mesure laser (16) améliore la visibilité du faisceau laser, la moitié transparente rend le faisceau laser visible même du côté arrière de la platine de mesure laser.

Travailler avec le trépied (accessoire)

Un trépied offre l'avantage d'être un support de mesure stable à hauteur réglable. Placez l'appareil de mesure avec le raccord de trépied 1/4 po (7) sur le filet du trépied (17) ou d'un trépied d'appareil photo disponible dans le commerce. Serrez l'outil de mesure à l'aide de la vis de verrouillage du trépied.

Serrez l'appareil de mesure au moyen de la vis de blocage du trépied.

Sécurisation avec le dispositif de positionnement universel BM 1 (accessoire)

En utilisant le porte-instrument universel (15), vous pouvez attacher l'outil de mesure sur des surfaces verticales, des canalisations ou des matériaux magnétiques, pour ne prendre que quelques exemples. Le porte-instrument universel est également approprié pour emploi comme trépied de construction, et il facilite le réglage de la hauteur de l'outil de mesure.

Réglez de façon approximative le porte-instrument universel (15) avant de mettre l'outil de mesure en marche.

Lunettes de vision du faisceau laser (accessoire)

Les lunettes de vision du faisceau laser filtrent la lumière ambiante. L'œil perçoit ainsi la lumière rouge du laser comme étant plus claire.

- **Ne pas utiliser les lunettes de vision du faisceau laser en tant que lunettes de protection.** Les lunettes de vision du faisceau laser servent à mieux reconnaître le faisceau laser, elles ne protègent cependant pas du rayonnement laser.
- **Ne pas utiliser les lunettes de vision du faisceau laser en tant que lunettes de soleil ou en circulation routière.** Les lunettes de vision du faisceau laser ne protègent pas parfaitement contre les rayons ultra-violet et réduisent la perception des couleurs.

Exemples d'utilisation (voir les figures H-K)

Vous trouverez des exemples d'utilisation de l'appareil de mesure sur les pages graphiques.

Maintenance et service

Maintenir l'appareil de mesure propre.

Ne jamais plonger l'appareil de mesure dans l'eau ou dans d'autres liquides.

Nettoyer l'appareil à l'aide d'un chiffon doux et humide. Ne pas utiliser de détergents ou de solvants.

Nettoyer régulièrement en particulier les surfaces se trouvant près de l'ouverture de sortie du laser en veillant à éliminer les poussières.

Si, malgré tous les soins apportés à la fabrication et au contrôle de l'appareil de mesure, celui-ci devait avoir un défaut, la réparation ne doit être confiée qu'à une station de service après-vente agréée pour outillage Bosch.

Pour toute demande de renseignement ou commande de pièces de rechange, nous préciser impérativement le numéro d'article à dix chiffres de l'appareil de mesure indiqué sur la plaque signalétique.

PROTECTION DE L'ENVIRONNEMENT



Recyclez les matières premières et les piles au lieu de les mettre au rebut. L'instrument, ses accessoires, son conditionnement et les piles usées doivent être triés en vue d'un recyclage écologique conforme aux lois les plus récentes.

GARANTIE LIMITÉE DES PRODUITS LASER ET AUTRES INSTRUMENTS DE MESURE BOSCH

Robert Bosch Tool Corporation (« Vendeur ») garantit, exclusivement à l'acheteur initial, que tous les outils laser et de mesure de Bosch ne comporteront aucun défaut de matériau ou de fabrication pendant une période d'un (1) an à compter de la date de l'achat. Bosch fournira une couverture de garantie portée à deux (2) ans si vous enregistrez votre produit dans les huit (8) semaines suivant la date de l'achat. La carte d'enregistrement du produit doit être complète et envoyée à Bosch (avec un cachet de la poste indiquant une date de moins de huit semaines après la date de l'achat), ou vous pouvez vous inscrire en ligne à www.boschtools.com/Service/ProductRegistration. Si vous décidez de ne pas faire enregistrer votre produit, une garantie limitée d'un (1) an s'appliquera à votre produit

Remboursement ou remplacement du produit jusqu'à 30 jours -

Si vous n'êtes pas complètement satisfait(e) par la performance de vos outils laser et de mesure pour quelque raison que ce soit, vous pouvez les rapporter à votre détaillant Bosch dans les 30 jours suivant la date de l'achat pour obtenir un remboursement intégral ou un remplacement. Pour obtenir ce remboursement du prix ou ce remplacement du produit jusqu'à 30 jours après l'achat, votre retour doit être accompagné par l'original du reçu correspondant à l'achat du produit laser ou de l'instrument optique. Un maximum de deux retours par client sera autorisé

LA SEULE OBLIGATION DU VENDEUR ET VOTRE SEUL REMÈDE en vertu de cette Garantie limitée et, dans la mesure où la loi le permet, de toute autre garantie ou condition légalement implicite, seront la réparation ou le remplacement à titre gratuit des pièces qui seront jugées défectueuses pour cause de vice de matériau ou de fabrication et qui n'auront pas été utilisées de façon abusive, manipulées sans précautions ou réparées incorrectement par des personnes autres que le Vendeur ou un Centre de service après-vente agréé. Pour vous prévaloir de la présente Garantie limitée, vous devez retourner la totalité de l'outil laser ou de l'outil de mesure Bosch, en port payé, à un Centre de service après-vente usine ou à un centre de service après-vente agréé de BOSCH. Veuillez inclure un justificatif d'achat dûment daté avec votre outil. Pour trouver les adresses des centres de service après-vente, veuillez utiliser notre guide en ligne service locator. ou téléphoner au 1-877-267-2499.

CE PROGRAMME DE GARANTIE NE S'APPLIQUE PAS AUX TRÉPIEDS OU AUX MIRES DE NIVELLEMENT. Robert Bosch Tool Corporation (« Vendeur ») garantit les trépieds et les mires de nivellement pendant une période d'un (1) an à compter de la date de l'achat.

CETTE GARANTIE LIMITÉE NE S'APPLIQUE PAS À D'AUTRES ACCESSOIRES ET ARTICLES COMPLÉMENTAIRES. CES DERNIERS BÉNÉFICIENT D'UNE GARANTIE LIMITÉE DE 90 JOURS.

Pour vous prévaloir de la présente Garantie limitée, vous devez retourner la totalité du produit en port payé. Pour plus de détails sur le recours à la présente Garantie limitée, veuillez visiter www.boschtools.com ou téléphoner au 1-877-267-2499.

LA DURÉE DE TOUTE GARANTIE IMPLICITE SERA LIMITÉE À UN AN À COMPTER DE LA DATE DE L'ACHAT. COMME CERTAINS ÉTATS AUX ÉTATS-UNIS ET CERTAINES PROVINCES AU CANADA NE PERMETTENT PAS DE LIMITATIONS SUR LA DURÉE D'UNE GARANTIE IMPLICITE, LA LIMITATION CI-DESSUS NE S'APPLIQUE PEUT-ÊTRE PAS À VOUS.






LE VENDEUR NE SERA EN AUCUN CAS RESPONSABLE POUR TOUS DOMMAGES INDIRECTS OU SECONDAIRES (Y COMPRIS, MAIS SANS LIMITATION, LA RESPONSABILITÉ AU TITRE DE LA PERTE DE BÉNÉFICES) RÉSULTANT DE LA VENTE OU DE L'EMPLOI DE CE PRODUIT. COMME CERTAINS ÉTATS AUX ÉTATS-UNIS ET CERTAINES PROVINCES AU CANADA NE PERMETTENT PAS L'EXCLUSION OU LA LIMITATION DE LA RESPONSABILITÉ POUR DOMMAGES INDIRECTS OU SECONDAIRES, LA LIMITATION CI-DESSUS NE S'APPLIQUE PEUT-ÊTRE PAS À VOUS.

CETTE GARANTIE LIMITÉE VOUS CONFÈRE DES GARANTIES JURIDIQUES PARTICULIÈRES, ET VOUS POUVEZ AUSSI AVOIR D'AUTRES DROITS, QUI VARIENT D'UN ÉTAT À L'AUTRE AUX ÉTATS-UNIS, D'UNE PROVINCE À L'AUTRE AU CANADA OU D'UN PAYS À L'AUTRE.

CETTE GARANTIE LIMITÉE NE S'APPLIQUE QU'AUX PRODUITS VENDUS AUX ÉTATS-UNIS D'AMÉRIQUE, AU CANADA ET À PORTO RICO. CONTACTEZ VOTRE DISTRIBUTEUR OU IMPORTATEUR BOSCH POUR OBTENIR DES INFORMATIONS SUR LA COUVERTURE DE LA GARANTIE DANS LES AUTRES PAYS.

Símbolos de seguridad

Las definiciones que aparecen a continuación describen el nivel de gravedad de cada palabra de señal de seguridad. Por favor, lea el manual y preste atención a estos símbolos.

	Éste es el símbolo de alerta de seguridad. Se utiliza para alertarle a usted de posibles peligros de lesiones corporales. Obedezca todos los mensajes de seguridad que sigan a este símbolo para evitar posibles lesiones o muerte.
	Símbolo de lectura del manual - Alerta al usuario para que lea el manual.
	PELIGRO indica una situación peligrosa que, si no se evita, causará la muerte o lesiones graves.
	ADVERTENCIA indica una situación peligrosa que, si no se evita, podría causar la muerte o lesiones graves.
	PRECAUCIÓN indica una situación peligrosa que, si no se evita, podría causar lesiones leves o moderadas.

Nomas generales de seguridad

ADVERTENCIA Lea todas las instrucciones. Si no se siguen todas las instrucciones que aparecen a continuación, el resultado podría ser exposición a radiación peligrosa, descargas eléctricas, incendio y/o lesiones graves. La expresión “herramienta de medición, detección y disposición” en todas las advertencias que aparecen a continuación se refiere a su herramienta de medición, detección y disposición alimentada por la red eléctrica (alámbrica) o su herramienta de medición, detección y disposición alimentada por baterías (inalámbrica).

ADVERTENCIA Las siguientes etiquetas están colocadas en su herramienta láser para brindarle conveniencia y seguridad. Indican el lugar donde la luz láser es emitida por el nivel. CONOZCA SIEMPRE su ubicación cuando utilice el nivel.



No dirija el rayo láser hacia personas o animales y no mire al rayo láser usted mismo. Esta herramienta produce radiación láser de clase 2 y cumple con las normas 21 CFR 1040.10 y 1040.11, excepto por las desviaciones conformes al Aviso sobre láser No. 50, de fecha 24 de junio de 2007. Esto puede causar ceguera en las personas.



NO retire ni desfigure ninguna etiqueta de advertencia o de precaución. Si se retiran las etiquetas, se aumenta el riesgo de exposición a radiación láser.

La utilización de controles o ajustes, o la realización de procedimientos que no sean los especificados en este manual, puede causar exposición a radiación peligrosa.

Asegúrese SIEMPRE de que todas las personas que se encuentren en la vecindad del lugar de uso conozcan los peligros de mirar directamente al láser.

NO coloque la herramienta en una posición que pueda hacer que alguien mire al rayo láser de manera intencional o accidental. El resultado podría ser lesiones graves en los ojos.

Posicione SIEMPRE la herramienta de manera segura. Si la herramienta falla, el resultado podría ser daños a la misma y/o lesiones graves al usuario.

Utilice SIEMPRE sólo los accesorios que estén recomendados por el fabricante de su herramienta. El uso de accesorios que hayan sido diseñados para utilizarse con otras herramientas podría causar lesiones graves.

NO utilice esta herramienta para propósitos que no sean los indicados en este manual. Si lo hace, el resultado podría ser lesiones graves.

NO deje la herramienta láser "ENCENDIDA" desatendida en ningún modo de funcionamiento.

NO desarme la herramienta. En su interior no hay piezas reparables ni reemplazables por el usuario. No modifique el producto de ninguna manera. Si se modifica la herramienta, el resultado podría ser exposición a radiación láser peligrosa.

NO utilice los anteojos de visión láser como anteojos de seguridad. Los anteojos de visión láser se utilizan para mejorar la visualización del rayo láser, pero no protegen contra la radiación láser.

NO utilice los anteojos de visión láser como lentes de sol o en tráfico. Los anteojos de visión láser no ofrecen protección completa contra los rayos UV y reducen la percepción de los colores.

NO use herramientas ópticas, tales como, pero no limitadas a, telescopios o telescopios meridianos, para ver el rayo láser. El resultado podría ser lesiones graves en los ojos.

NO mire directamente al rayo láser ni proyecte el rayo láser directamente a los ojos de otras personas. El resultado podría ser lesiones graves en los ojos.

Seguridad en el área de trabajo

Mantenga el área de trabajo limpia y bien iluminada. Las áreas desordenadas u oscuras invitan a que se produzcan accidentes.

NO utilice la herramienta láser cerca de niños ni deje que los niños utilicen la herramienta láser. El resultado podría ser lesiones graves en los ojos.

Seguridad eléctrica

⚠ ADVERTENCIA Las baterías pueden explotar o tener fugas y causar lesiones o incendios. Para reducir este riesgo, siga siempre todas las instrucciones y advertencias que están en la etiqueta y en el paquete de las baterías.

NO haga cortocircuito en los terminales de las baterías.

NO cargue baterías alcalinas.

NO mezcle baterías viejas y nuevas. Reemplace todas las baterías al mismo tiempo con baterías

nuevas de la misma marca y el mismo tipo.

NO mezcle las químicas de las baterías.

Deseche o recicle las baterías de acuerdo con el código local.

NO deseche las baterías en un fuego.

Mantenga las baterías fuera del alcance de los niños.

Retire las baterías si el dispositivo no se va a usar durante varios meses.

Seguridad personal

Manténgase alerta, fíjese en lo que está haciendo y use el sentido común cuando utilice una herramienta. No utilice una herramienta mientras esté cansado o bajo la influencia de drogas, alcohol o medicamentos. Un momento de descuido mientras se utiliza una herramienta puede causar lesiones personales graves o resultados de medición incorrectos.

Use equipo de seguridad. Use siempre protección de los ojos. El equipo de seguridad, tal como una máscara antipolvo, zapatos de seguridad antideslizantes, casco o protección de la audición, utilizado para las condiciones apropiadas, reducirá las lesiones corporales.

Imanes



Mantenga la herramienta, el soporte de montaje LB 10 (10), el dispositivo de posición BM 1 (15), y la placa de destino del láser (16)

lejos de los implantes u otros dispositivos médicos, como marcapasos o bombas de insulina. Los imanes del aparato de medición y de la tablilla reflectante producen un campo magnético que puede perturbar el funcionamiento de los marcapasos.

Mantenga la herramienta, el soporte de montaje LB 10 (10), el dispositivo de posición BM 1 (15), y la placa de objetivo láser (16) alejados del medio de almacenamiento de datos magnéticos y del equipo magnéticamente sensible. Los imanes del aparato de medición y de la tablilla reflectante pueden provocar una pérdida de datos irreversible.

Uso y cuidado

Use la herramienta correcta para la aplicación que vaya a realizar. La herramienta correcta de medición, detección y disposición hará el trabajo mejor y de manera más segura a la capacidad nominal para la que fue diseñada.

No utilice la herramienta si el interruptor no la enciende y apaga. Cualquier herramienta que no se pueda controlar con el interruptor es peligrosa y debe ser reparada.

Cuando no esté utilizando la herramienta, almacénela fuera del alcance de los niños y no deje que las personas que no estén familiarizadas con ella o con estas instrucciones utilicen la herramienta. Las herramientas son peligrosas en las manos de los usuarios que no hayan recibido capacitación.

Mantenga las herramientas. Compruebe si hay piezas desalineadas o que se atoren, si hay piezas rotas y si existe cualquier otra situación que pueda afectar al funcionamiento. Si la herramienta está dañada, se debe reparar antes de utilizarla. Muchos accidentes son causados por herramientas de medición, detección y disposición mal mantenidas.

Utilice la herramienta, los accesorios, etc., de acuerdo con estas instrucciones y de la manera

prevista para el tipo específico de herramienta, teniendo en cuenta las condiciones de trabajo y el trabajo que se vaya a realizar. El uso de la herramienta para realizar operaciones distintas a las previstas podría causar una situación peligrosa.

Servicio

Haga que su herramienta reciba servicio de ajustes y reparaciones por un técnico de reparaciones calificado, utilizando únicamente piezas de repuesto idénticas. Esto asegurará que se mantenga la seguridad de la herramienta.

Desarrolle un programa de mantenimiento periódico para su herramienta. Cuando limpie una herramienta, tenga cuidado de no desarmar ninguna parte de la herramienta, ya que los cables internos se pueden descolocar o pellizcar, o se pueden montar incorrectamente. Ciertos agentes de limpieza, tales como gasolina, tetracloruro de carbono, amoníaco, etc., pueden dañar las piezas de plástico.

GUARDE ESTAS INSTRUCCIONES.

Uso previsto

La herramienta de medición está diseñada para determinar y comprobar líneas horizontales y verticales. La herramienta de medición es adecuada para uso en interiores y exteriores.

Características

La numeración mostrada de las características del producto se refiere a la ilustración de la herramienta en la página gráfica.

- | | |
|--|--|
| 1 Abertura de salida para el rayo láser | 11 Imanes |
| 2 Interruptor de encendido y apagado | 12 Tornillo de 1/4" del soporte |
| 3 Indicador de capacidad de la batería | 13 Agujero de tornillo del soporte |
| 4 Botón de modo de funcionamiento | 14 Clip de cielo raso (DK 10)* |
| 5 Etiqueta de advertencias del láser | 15 Dispositivo de posicionamiento universal (BM 1)* |
| 6 Número de serie | 16 Placa objetivo para el láser* |
| 7 Montura de trípode de 1/4 de pulgada | 17 Trípode compacto (BT 150)* |
| 8 Mecanismo de bloqueo de la tapa del compartimento de la batería | 18 Sistema de poste telescópico (BT 350)* |
| 9 Tapa de las baterías | 19 Anteojos de visión láser* |
| 10 Soporte de montaje magnético (LB 10) | |

* Los accesorios ilustrados o descritos no se incluyen como entrega estándar.

Datos Técnicos

Número de modelo	GLL50-40G
Article Number	3 601 K65 ...
Alcance ^{A)}	100 pies (30 m)
Precisión de nivelación ^{B)C)D)}	±3/16 in. at 30 ft (±0.4 mm/m)
Margen de autonivelación típico	±4°
Tiempo de nivelación, típico	<4s
Temperatura de operación	23° F ~ 122 °F (-10 °C ~ +50 °C)
Temperatura de almacenamiento	-4° F ~ 158 °F (-20 °C ~ +70 °C)
Altitud máx.	6560 ft (2000 m)
Humedad relativa máx	90 %
Grado de contaminación de acuerdo con IEC 61010 ^{E)}	2
Clase de láser	2
Tipo de láser	500-540 nm <10mW
C ₆	10
Divergence of laser line	30 x 20 mrad (full angle)
Fijación para trípode	1/4"-20
Pilas	4 x 1.5V LR6 (AA)
Peso según	1.26 lb (0,57 kg)
Dimensiones	
- Sin LB 10	5 x 2,5 x 4,5 pulgadas (126 x 63 x 115 mm)
- Con LB 10	5,7 x 2,5 x 5,3 pulgadas (145 x 63 x 134 mm)
Grado de protección	IP 64 (protección contra polvo y salpicaduras de agua)

A) El alcance de trabajo puede ser reducido por las condiciones ambientales desfavorables (por ej., irradiación solar directa).

B) a 68-77 ° F (20-25 ° C)

C) Los valores indicados presuponen condiciones ambientales de normales a favorables (p. ej., ausencia de vibración, ausencia de niebla, ausencia de humo y ausencia de luz solar directa). Las fluctuaciones extremas de temperatura pueden causar desviaciones de la precisión.

D) Aplica para el punto de intersección y los ángulos correspondientes 90 ° / 180 ° / 270 °

E) Solo se forman depósitos no conductores, por lo que se espera conductividad temporal ocasional causada por la condensación.

La herramienta se puede identificar claramente con el número de serie **(6)** que está en la placa de tipo.

Preparación

Inserción y cambio de la pila

Se recomienda utilizar pilas alcalinas de manganeso en el aparato de medición.

Presione el mecanismo de fijación (8) hacia arriba para abrir la cubierta del compartimiento de las baterías (9) y retire dicha cubierta. Inserte las baterías.

Inserte las pilas utilizando la polaridad correcta, tal y como se ilustra en el interior de la tapa de las baterías.

El indicador de batería (3) siempre indica el estado actual de la batería. Si las baterías se están agotando, las líneas láser se volverán gradualmente menos intensas. Si las baterías están casi vacías, el indicador de batería

comenzará a parpadear continuamente y las líneas láser parpadearán cada 5 minutos durante 5 segundos hasta que la herramienta se apague. Si las baterías están vacías, las líneas láser y el indicador de batería parpadearán una vez antes de que la herramienta de medición se apague.

Siempre sustituya todas las pilas al mismo tiempo. Utilice pilas del mismo fabricante e igual capacidad.

⚠ ADVERTENCIA Saque las pilas del aparato de medida si pretende no utilizarlo durante largo tiempo. Tras un tiempo de almacenaje prolongado, las pilas se puede llegar corroer y autodescargar.

Operación

Puesta en marcha

⚠ ADVERTENCIA Proteja el aparato de medida de la humedad y de la exposición directa al sol.

⚠ ADVERTENCIA No exponga el aparato de medición ni a temperaturas extremas ni a cambios bruscos de temperatura. No lo deje, p.ej., en el coche durante un largo tiempo. Si el aparato de medición ha quedado sometido a un cambio fuerte de temperatura, antes de ponerlo en servicio, esperar primero a que se atempere. Las temperaturas extremas o los cambios bruscos de temperatura pueden afectar a la precisión del aparato de medición.

⚠ ADVERTENCIA Evite las sacudidas o caídas fuertes del aparato de medida. En caso de que el aparato de medida haya quedado sometido a unas sollicitaciones fuertes exteriores, antes de continuar trabajando con él deberá realizarse una comprobación de la precisión (ver "Precisión de nivelación").

⚠ ADVERTENCIA Desconecte el aparato de medición cuando vaya a transportarlo. Al desconectarlo, la unidad del péndulo se inmoviliza, evitándose así que se dañe al quedar sometida a una fuerte agitación.

Conexión/desconexión

Para conectar el aparato de medición empuje el interruptor de conexión/desconexión (2) a la posición "on". Nada más conectarlo, el aparato emite un rayo láser por cada abertura de salida (1).

⚠ ADVERTENCIA No oriente el rayo láser contra personas ni animales, ni mire directamente hacia el rayo láser, incluso encontrándose a gran distancia. Podrían producirse lesiones oculares graves.

Para desconectar el aparato de medición, empuje el interruptor de conexión/desconexión (2) a la posición "off". Al desconectarlo se inmoviliza la unidad del péndulo.

⚠ ADVERTENCIA No deje desatendido el aparato de medición estando conectado, y desconéctelo después de cada uso. Otros pueden estar cegados por el rayo láser.

Automatismo de desconexión

Con el fin de proteger la pila, el aparato de medición se desconecta automáticamente si no se pulsa ninguna tecla durante aprox. 120 min.

Para volver a conectar el aparato de medición tras su desconexión automática deberá desplazarse primero el interruptor de conexión/desconexión **(2)** a la posición "off" y conectarlo a continuación, o bien, pulsar simplemente el selector de modos de operación **(4)**.

Para desactivar la desconexión automática, mantenga pulsado el selector de modos de operación **(4)** al menos durante 3 s, teniendo conectado el aparato de medición. La desactivación del automatismo de desconexión se señala mediante un breve parpadeo de los rayos láser.

Para activar el automatismo de desconexión, desconecte y vuelva a conectar el aparato de medición.

Modos de operación

La herramienta de medición tiene tres modos de funcionamiento, que puede alternar con el botón de modo láser **(4)**:

- **Modo de línea cruzada (ver figura A):** genera una línea láser horizontal y una vertical
- **Modo horizontal (ver figura B):** genera una línea láser horizontal
- **Modo vertical (ver figura C):** genera una línea láser vertical

Para cambiar el modo de funcionamiento, presione el botón del modo de funcionamiento del láser **(4)** tan a menudo como se requiera hasta que los rayos láser se generen en el modo de funcionamiento requerido.

Todos los modos de funcionamiento se pueden utilizar tanto con la función de nivelación automática como con la función de inclinación.

Nivelación automática

La herramienta de medición monitorea la posición en todo momento durante su utilización. Funciona con nivelación automática durante la configuración dentro del intervalo de autonivelación de $\pm 4^\circ$. Fuera del intervalo de autonivelación, cambiará automáticamente a la función de inclinación.

Trabajo con nivelación automática (vea las figuras A-C)

Posicione la herramienta de medición en una superficie nivelada y firme o fíjela al soporte de montaje magnético LB 10 **(10)** o al trípode **(17)**.

La función de nivelación automática compensa automáticamente las irregularidades dentro del intervalo de autonivelación de $\pm 4^\circ$. Una vez que el rayo láser esté encendido permanentemente, la herramienta de nivelación se habrá nivelado.

Si la nivelación automática no es posible, p. ej., debido a que la superficie sobre la cual está ubicada la herramienta de medición se desvía más de 4° del plano horizontal, las líneas láser parpadearán inicialmente con rapidez durante 2 segundos y luego parpadearán rápidamente cada 5 segundos. La herramienta de medición está en la función de inclinación.

En el caso de vibraciones del terreno o cambios de posición durante la utilización, la herramienta de medición se nivela de nuevo automáticamente. Una vez que esté nivelada, compruebe la posición de los rayos láser respecto a los puntos de referencia para evitar errores que surjan de un cambio en la posición de la herramienta de medición.

Trabajo con la función de inclinación (vea la figura K)

Coloque la herramienta de medición sobre una superficie inclinada. Cuando trabaje con la función de inclinación, las líneas láser parpadearán inicialmente con rapidez durante 2 segundos y luego parpadearán rápidamente cada 5 segundos.

En la función de inclinación, las líneas láser ya no están niveladas y ya no van necesariamente perpendiculares una a otra.

Precisión de nivelación

Influencias en la precisión

La temperatura ambiente tiene la mayor influencia. Las diferencias de temperatura que ocurren desde el terreno hacia arriba, especialmente, pueden desviar el rayo láser.

Como la mayor diferencia en capas de temperatura está cerca del piso, usted deberá montar siempre la herramienta de medición en un trípode. Además, posicione la herramienta de medición en el centro de la superficie de trabajo, allí donde esto sea posible.

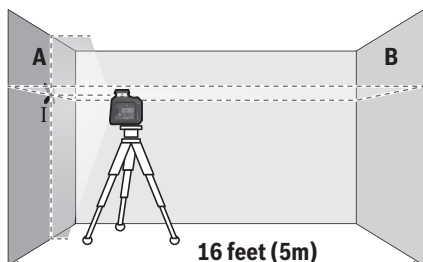
Primero, compruebe tanto la altura como la precisión de nivelación de la línea láser horizontal y luego la precisión de nivelación de la línea láser vertical.

En el caso de que la herramienta de medición exceda la desviación máxima durante una de las pruebas, sírvase hacer que sea reparada por un servicio posventa Bosch.

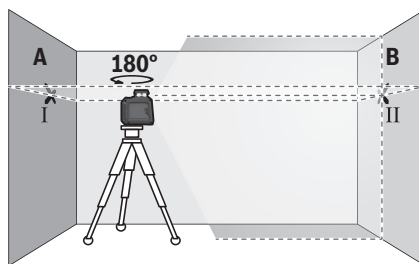
Comprobación de la precisión de la altura de la línea horizontal

Para realizar esta comprobación se requiere una distancia de medición libre de 16 pies (5 m) sobre una superficie firme entre dos paredes A y B.

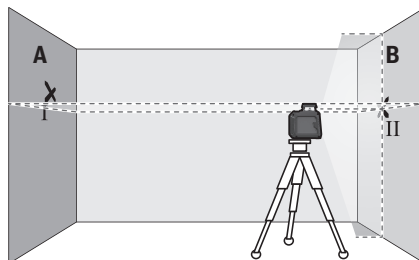
- Monte la herramienta de medición cerca de la pared A en un trípode o colóquela sobre una superficie firme y nivelada. Encienda la herramienta de medición y seleccione el funcionamiento con líneas en cruz.



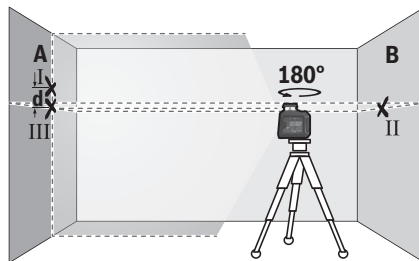
- Dirija el láser contra la pared A cercana y deje que la herramienta de medición se nivele. Marque el centro del punto donde las líneas láser se cruzan una con otra en la pared (punto I).



- Gire la herramienta de medición 180°, deje que se nivele y marque el punto de cruce de las líneas láser en la pared opuesta B (punto II).
- Sin girar la herramienta de medición, posicónela cerca de la pared B. Encienda la herramienta de medición y deje que se nivele.



- Alinee la altura de la herramienta de medición (utilizando un trípode o colocando un soporte debajo, en caso de que sea necesario) de manera que el punto de cruce de las líneas láser se proyecte contra el punto II marcado previamente en la pared B.



- Sin cambiar la altura, gire la herramienta de medición 180°. Dirijala contra la pared A de tal manera que la línea láser vertical pase a través del punto I ya marcado. Deje que la herramienta de medición se nivele y marque el punto de cruce de las líneas láser en la pared A (punto III).

- La diferencia **d** de ambos puntos marcados I y III en la pared A indica la desviación de altura real de la herramienta de medición.

La desviación máxima permitida en la distancia de medición de $2 \times 16 \text{ ft} = 36 \text{ ft}$ ($2 \times 5 \text{ m} = 10 \text{ m}$) es la siguiente:

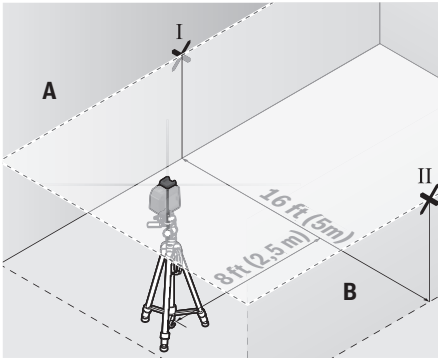
$32 \text{ ft} \times \pm 0.0048 \text{ in/ft} = \pm 3/16 \text{ in}$ (0.154 in)
 $(10 \text{ m} \times \pm 0.4 \text{ mm/m} = \pm 4 \text{ mm})$

La discrepancia **d** entre los puntos I y III debe por lo tanto totalizar no más de 4 mm.

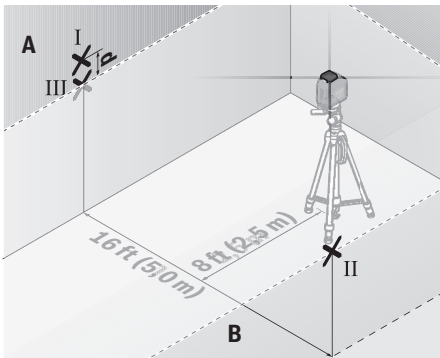
Comprobación de la precisión de nivelación de la línea horizontal

Para realizar la comprobación se requiere un área despejada de aproximadamente 16×16 pies (5×5 m).

- Coloque la herramienta de medición sobre una superficie firme y nivelada entre las dos paredes A y B. Deje que la herramienta de medición se nivele mientras está en funcionamiento horizontal.



- A una distancia de 8 pies (2,5 m) de la herramienta de medición, marque el centro de la línea láser (punto I en la pared A y punto II en la pared B) en ambas paredes.



- Coloque la herramienta de medición a una distancia de 16 pies (5 m), girada 180°, y deje que se nivele.

- Alinee la altura de la herramienta de medición (utilizando un trípode o colocando un soporte debajo, en caso de que sea necesario) de tal manera que el centro de la línea láser se proyecte exactamente contra el punto II marcado previamente en la pared B.

- Marque el centro de la línea láser como punto III (verticalmente por encima o por debajo del punto I) en la pared A.

- La diferencia **d** de ambos puntos marcados I y III en la pared A indica la desviación real de la herramienta de medición respecto al plano nivelado.

La desviación máxima permitida en la distancia de medición de $2 \times 16 \text{ ft} = 36 \text{ ft}$ ($2 \times 5 \text{ m} = 10 \text{ m}$) es la siguiente:

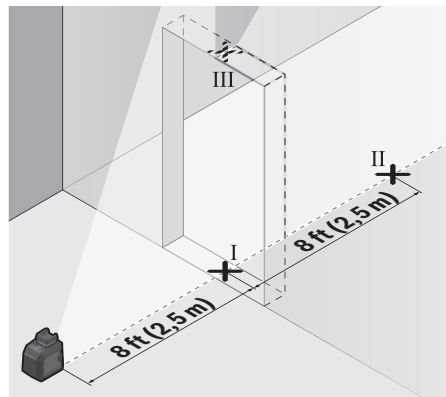
$32 \text{ ft} \times \pm 0.0048 \text{ in/ft} = \pm 3/16 \text{ in}$ (0.154 in)
 $(10 \text{ m} \times \pm 0.4 \text{ mm/m} = \pm 4 \text{ mm})$

La discrepancia **d** entre los puntos I y III debe por lo tanto totalizar no más de 4 mm.

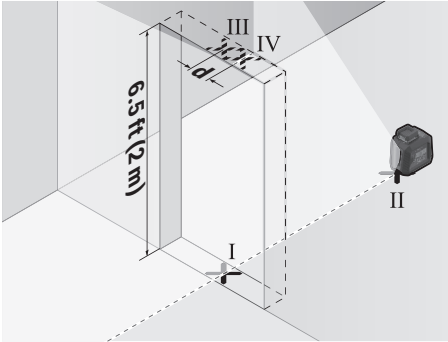
Comprobación de la precisión de nivelación de la línea vertical

Para realizar esta comprobación, se requiere una abertura de puerta con por lo menos 8 pies (2,5 m) de espacio (sobre una superficie firme) a cada lado de la puerta.

- Posicione la herramienta de medición sobre una superficie firme y nivelada (no sobre un trípode) a una distancia de 8 pies (2,5 m) de la abertura de la puerta. Deje que la herramienta de medición se nivele mientras está en el modo de funcionamiento con líneas en cruz y dirija los rayos láser hacia al abertura de la puerta.



- Marque el centro de la línea láser vertical en el piso de la abertura de la puerta (punto I), a una distancia de 16 pies (5 m) más allá del otro lado de la abertura de la puerta (punto II) y en el borde superior de la abertura de la puerta (punto III).



- Gire la herramienta de medición 180 ° y colóquela en el otro lado de la abertura de la puerta, directamente detrás del punto II. Deje que la herramienta de medición se nivele y alinee la línea láser vertical de tal manera que su centro pase exactamente a través de los puntos I y II.
- Marque el centro de la línea láser en el borde superior de la abertura de la puerta como punto IV.

- La discrepancia **d** entre los dos puntos marcados III y IV revela la desviación vertical real de la herramienta de medición.

- Mida la altura de la abertura de la puerta.

La desviación máxima permitida d_{max} se calcula de la siguiente manera:

Doble de la altura de la abertura de la puerta $\times 0.0048$ in/ft (0.4 mm/m)

Ejemplo: Con una altura de la abertura de la puerta de 6.5 pies (2 m), la desviación máxima permitida es

$2 \times 6.5 \text{ ft} \times \pm 0.0048 \text{ in/ft} = 0.062 \text{ in}$ pulgadas
 $(2 \times 2 \text{ m} \times \pm 0.4 \text{ mm/m} = \pm 1.6 \text{ mm})$

Los puntos III y IV deben por lo tanto estar a no más de 0.062 in (1.6 mm) uno de otro.

Consejos para trabajar

- Solo el centro del punto láser o la línea láser se debe utilizar para marcar. El tamaño del punto láser/la anchura de la línea láser cambia dependiendo de la distancia.

Utilice con Base

Trabajo con el soporte de montaje magnético LB 10 (ver figuras D-G)

Usted puede fijar la herramienta de medición sobre superficies verticales o materiales magnetizables utilizando el soporte de montaje magnético (10). En combinación con el clip de techo (14), la herramienta de medición también se puede alinear verticalmente.

Coloque la herramienta de medición con el soporte de trípode de 1/4 pulgada (7) en el tornillo de 1/4 pulgada (12) del soporte y atorníllelo firmemente.

Opciones de fijación para el soporte de montaje magnético (10):

- Usando un tornillo de fijación disponible en el mercado, se puede fijar a través del orificio del tornillo (13) a paneles de yeso o madera (ver figura F)
- Usando los imanes (11), se puede unir a superficies metálicas (ver figura G)
- Usando el clip de techo (14), se puede unir a molduras de corona (ver figura H)

Alinee de manera aproximada el soporte de montaje magnético (10) antes de encender la herramienta de medición.

Aplicación de la tablilla reflectante

La tablilla reflectante (16) permite percibir mejor el rayo láser si las condiciones de luz son desfavorables o si las distancias son grandes.

La mitad reflectante de la tablilla (16) permite apreciar mejor el rayo láser y la otra mitad, transparente, deja ver el rayo láser también por el dorso de la tablilla reflectante.

Operación con trípode (accesorio)

Un trípode constituye una base de nivelación estable, ajustable en altura. Sujete el aparato de medición con la fijación para trípode de 1/4-20 (7) a la rosca del trípode (17), o a un trípode de tipo comercial. Fije firmemente el aparato de medición con el tornillo de sujeción del trípode.

Alinee aproximadamente el trípode antes de encender la herramienta de medición.

Sujeción con el Dispositivo de posicionamiento BM 1 (accesorio)

Con el dispositivo de posicionamiento BM 1 (15), usted puede sujetar la herramienta, por ej., a superficies verticales, tuberías o materiales magnéticos. El dispositivo de posicionamiento BM 1 también es adecuado para utilizarse como un trípode a nivel del piso y hace que el ajuste de la altura de la herramienta sea más fácil.

Alinee aproximadamente el soporte universal (15) antes de encender la herramienta de medición.

Gafas para láser (accesorio)

Las gafas para láser filtran la luz del entorno. Ello permite apreciar con mayor intensidad la luz roja del láser.

- **No use las gafas para láser como gafas de protección.** Las gafas para láser le ayudan a detectar mejor el rayo láser, pero no le protegen de la radiación láser.
- **No emplee las gafas para láser como gafas de sol ni para circular.** Las gafas para láser no le protegen suficientemente contra los rayos ultravioleta y además no le permiten apreciar correctamente los colores.

Ejemplos de aplicación (ver figuras H-K)

Ejemplos para la aplicación del aparato de medición los encontrará en las páginas ilustradas.

Mantenimiento y servicio

Mantenga limpio siempre el aparato de medida. No sumerja el aparato de medición en agua ni en otros líquidos.

Limpie el aparato con un paño húmedo y suave. No usar detergentes ni disolventes.

Limpie con regularidad sobre todo el área en torno a la abertura de salida del láser, cuidando que no queden motas.

Si a pesar de los esmerados procesos de fabricación y control, el aparato de medida llegase a averiarse, la reparación deberá encargarse a un taller de servicio autorizado para herramientas eléctricas Bosch.

Al realizar consultas o solicitar piezas de repuesto, es imprescindible indicar siempre el n° de artículo de 10 dígitos que figura en la placa de características del aparato de medida.

PROTECCIÓN AMBIENTAL



Recicle las materias primas y las baterías en lugar de desecharlas como desperdicios. La unidad, los accesorios, el empaquetamiento y las baterías usadas se deben separar para reciclarlos de manera respetuosa con el medio ambiente, de acuerdo con los reglamentos más recientes.

GARANTÍA LIMITADA PARA PRODUCTOS DE HERRAMIENTAS LÁSER Y DE MEDICIÓN BOSCH

Robert Bosch Tool Corporation (el "Vendedor") garantiza, solamente al comprador original, que todas las herramientas láser y de medición Bosch estarán libres de defectos de material o de fabricación durante un período de un (1) año a partir de la fecha de compra. Bosch extenderá la cobertura de garantía a dos (2) años cuando usted registre su producto dentro del plazo de ocho (8) semanas a partir de la fecha de compra. La tarjeta de registro del producto debe ser completada y enviada por correo a Bosch (sellada por la oficina de correos dentro del plazo de ocho semanas después de la compra), o usted puede registrar su producto por Internet e www.boschtools.com/Service/ProductRegistration. Si decide no registrar su producto, al mismo se le aplicará una garantía limitada de un (1) año.

Reembolso de devolución del dinero o reemplazo durante 30 días:

Si no está completamente satisfecho con el rendimiento de sus herramientas láser y de medición, por cualquier motivo, puede devolver el producto a su distribuidor Bosch dentro del plazo de 30 días a partir de la fecha de compra para obtener un reembolso completo o un reemplazo. Para obtener este reembolso o reemplazo dentro del plazo de 30 días, su devolución debe estar acompañada por el recibo de compra original del producto tipo láser o instrumento óptico. Se permitirá un máximo de 2 devoluciones por cliente.

LA OBLIGACIÓN EXCLUSIVA DEL VENDEDOR Y EL RECURSO EXCLUSIVO QUE USTED TIENE bajo esta Garantía Limitada y, en hasta donde la ley lo permita, cualquier garantía o condición implícita por ley, consistirán en la reparación o el reemplazo de las piezas, sin cargo, que presenten defectos de material o de fabricación y que no hayan sido utilizadas incorrectamente, manejadas descuidadamente o reparadas incorrectamente por personas que no sean el Vendedor o un Centro de Servicio Autorizado. Para presentar un reclamo bajo esta Garantía Limitada, usted debe devolver la herramienta láser o de medición Bosch completa, con el transporte prepago, a cualquier Centro de Servicio de Fábrica o Centro de Servicio Autorizado BOSCH. Sírvase incluir un comprobante de compra fechado con su herramienta. Para averiguar las ubicaciones de los centros de servicio cercanos, sírvase usar nuestro localizador de servicio por Internet o llamar al 1-877-267-2499.

ESTE PROGRAMA DE GARANTÍA NO SE APLICA A LOS TRÍPODES NI A LAS VARILLAS. Robert Bosch Tool Corporation (el "Vendedor") garantiza los trípodes y las varillas niveladoras durante un período de un (1) año a partir de la fecha de compra.

ESTA GARANTÍA LIMITADA NO SE APLICA A OTROS ARTÍCULOS ACCESORIOS NI ARTÍCULOS RELACIONADOS. ESTOS ARTÍCULOS RECIBEN UNA GARANTÍA LIMITADA DE 90 DÍAS.

Para presentar un reclamo bajo esta Garantía Limitada, usted debe devolver el producto completo, con el transporte prepago. Para obtener detalles con el fin de presentar un reclamo bajo esta Garantía Limitada, sírvase visitar www.boschtools.com o llamar al 1-877-267-2499.

TODAS LAS GARANTÍAS IMPLÍCITAS ESTARÁN LIMITADAS EN DURACIÓN A UN AÑO A PARTIR DE LA FECHA DE COMPRA. ALGUNOS ESTADOS DE LOS EE.UU. Y ALGUNAS PROVINCIAS CANADIENSES NO PERMITEN LIMITACIONES EN CUANTO A LA DURACIÓN DE UNA GARANTÍA IMPLÍCITA, POR LO QUE ES POSIBLE QUE LA LIMITACIÓN QUE ANTECEDE NO TENGA APLICACIÓN EN EL CASO DE USTED.

EL VENDEDOR NO SERÁ RESPONSABLE EN NINGÚN CASO POR DAÑOS INCIDENTALES O EMERGENTES (INCLUYENDO PERO SIN ESTAR LIMITADOS A RESPONSABILIDAD POR PÉRDIDA DE UTILIDADES) QUE SURJAN DE LA VENTA DE ESTE PRODUCTO. ALGUNOS ESTADOS DE LOS EE.UU. Y ALGUNAS PROVINCIAS CANADIENSES NO PERMITEN LA EXCLUSIÓN NI LA LIMITACIÓN DE LOS DAÑOS INCIDENTALES O EMERGENTES, POR LO QUE ES POSIBLE QUE LA LIMITACIÓN QUE ANTECEDE NO TENGA APLICACIÓN EN EL CASO DE USTED.

ESTA GARANTÍA LIMITADA LE CONFIERE A USTED DERECHOS LEGALES ESPECÍFICOS Y ES POSIBLE QUE USTED TENGA TAMBIÉN OTROS DERECHOS QUE VARIAN DE UN ESTADO A OTRO EN LOS EE.UU. O DE UNA PROVINCIA A OTRA EN CANADÁ Y DE UN PAÍS A OTRO.

ESTA GARANTÍA LIMITADA SE APLICA SÓLO A LOS PRODUCTOS VENDIDOS EN LOS ESTADOS UNIDOS DE AMÉRICA, CANADÁ Y LA MANCOMUNIDAD DE PUERTO RICO. PARA OBTENER COBERTURA DE GARANTÍA EN OTROS PAÍSES, CONTACTE A SU DISTRIBUIDOR O IMPORTADOR BOSCH LOCAL.

Notes / Remarques / Notas

This page was intentionally left blank
Cette page a été laissée vierge intentionnellement.
Esta página se dejó intencionalmente en blanco

© Robert Bosch Tool Corporation 1800 W. Central Road Mt. Prospect, IL 60056-2230
Exportado por: Robert Bosch Tool Corporation Mt. Prospect, IL 60056-2230, E.U.A.
Importado en México por: Robert Bosch, S.A. de C.V., Calle Robert Bosch No. 405, Zona Industrial,
Toluca, Edo. de México, C.P. 50070, Tel. (722) 2792300



2 6 1 0 0 5 9 9 3 8