

IMPORTANT
Read Before Using

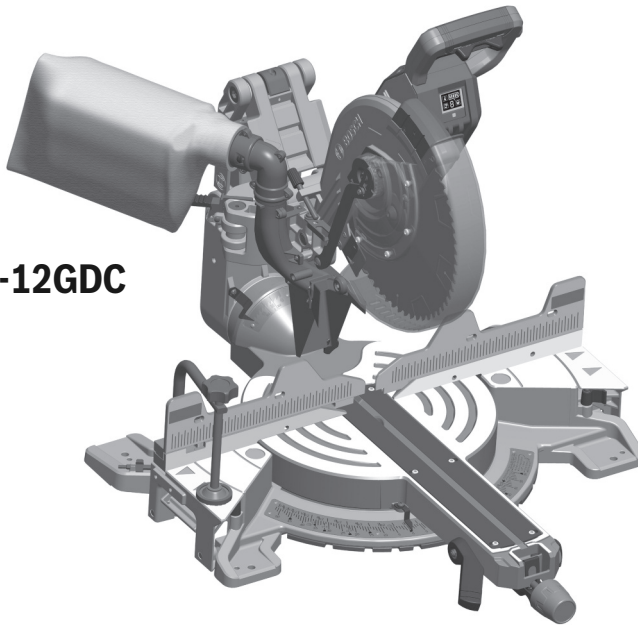
IMPORTANT
Lire avant usage

IMPORTANTE
Leer antes de usar



Operating / Safety Instructions
Consignes d'utilisation/de sécurité
Instrucciones de funcionamiento y seguridad

GCM18V-12GDC



BOSCH

Call Toll Free for Consumer Information & Service Locations

Pour obtenir des informations et les adresses de nos centres de service après-vente, appelez ce numéro gratuit

Llame gratis para obtener información para el consumidor y ubicaciones de servicio

1-877-BOSCH99 (1-877-267-2499) www.boschtools.com

For English Version
See page 2

Version française
Voir page 64

Versión en español
Ver la página 131

Safety Symbols

The definitions below describe the level of severity for each signal word.
Please read the manual and pay attention to these symbols.





	This is the safety alert symbol. It is used to alert you to potential personal injury hazards. Obey all safety messages that follow this symbol to avoid possible injury or death.
	DANGER indicates a hazardous situation which, if not avoided, will result in death or serious injury.
	WARNING indicates a hazardous situation which, if not avoided, could result in death or serious injury.
	CAUTION indicates a hazardous situation which, if not avoided, could result in minor or moderate injury.

Table of Contents

General Power Tool Safety Warnings	3	45° Bevel Stop – Adjustment Procedure	27
1. Work area safety	3	Adjusting Bevel Lock Tension	29
2. Electrical safety	3	Adjusting Front Stabilizing Bolt	30
3. Personal safety	3	Transporting and Mounting	31
4. Power tool use and care	4	Mounting Applications	32
5. Battery tool use and care	4	Preparing for Saw Operations	33
6. Service	4	Switch Activation	33
Safety Instructions for Miter Saws	5	Built-in LED Light	33
Additional Safety Rules	7	Laser Line Guide	33
Electrical Requirements	8	User Interface (Fig. 30)	34
Electric Brake	8	Connectivity	35
Licenses	9	Body and Hand Position	36
Symbols	10	Workpiece Support	38
Getting To Know Your Miter Saw	12	Saw Operations	41
Intended Use	15	Using Miter Detent System	41
Specifications	15	Miter Detent Override	41
Cutting Capacities	15	Chop Cuts	42
Unpacking And Checking Contents	16	Slide Cuts	43
Tools Needed For Assembly	17	Miter Cuts	44
Assembly	18	Bevel Cuts	47
Attaching Loose Parts	18	Compound Cuts	51
Inserting and Releasing Battery Pack	18	Cutting Grooves	52
Removing and Installing Blades	19	Cutting Crown Molding	53
Assembling Dust Collection System	20	Cutting Base Molding	53
Adjustments	22	Crown Molding Auxiliary Fence	57
Using the Head Assembly Lock Pin	22	Special Cuts	59
Using the Glide Movement Controller	22	Maintenance and Lubrication	60
Using the Mechanism Lock Lever	23	Bearings	60
Depth of Cut Adjustment	24	Cleaning	60
Miter Detent System	25	Troubleshooting	61
Kerf Insert Adjustment	25	Attachments/Accessories	63
0° Bevel Stop – Adjustment Procedure	26		

General Power Tool Safety Warnings

⚠ WARNING Read all safety warnings instructions, illustrations and specifications provided with this power tool. Failure to follow all instructions listed below may result in electric shock, fire and/or serious injury.

SAVE ALL WARNINGS AND INSTRUCTIONS FOR FUTURE REFERENCE

The term “power tool” in the warnings refers to your mains-operated (corded) power tool or battery-operated (cordless) power tool.

1. Work area safety

- a. **Keep work area clean and well lit.** Cluttered or dark areas invite accidents.
- b. **Do not operate power tools in explosive atmospheres, such as in the presence of flammable liquids, gases or dust.** Power tools create sparks which may ignite the dust or fumes.
- c. **Keep children and bystanders away while operating a power tool.** Distractions can cause you to lose control.

2. Electrical safety

- a. **Power tool plugs must match the outlet. Never modify the plug in any way. Do not use any adapter plugs with earthed (grounded) power tools.** Unmodified plugs and matching outlets will reduce risk of electric shock.
- b. **Avoid body contact with earthed or grounded surfaces, such as pipes, radiators, ranges and refrigerators.** There is an increased risk of electric shock if your body is earthed or grounded.
- c. **Do not expose power tools to rain or wet conditions.** Water entering a power tool will increase the risk of electric shock.
- d. **Do not abuse the cord. Never use the cord for carrying, pulling or unplugging the power tool. Keep cord away from heat, oil, sharp edges or moving parts.** Damaged or entangled cords increase the risk of electric shock.
- e. **When operating a power tool outdoors, use an extension cord suitable for outdoor use.** Use of a cord suitable for outdoor use reduces the risk of electric shock.
- f. **If operating a power tool in a damp location is unavoidable, use a Ground Fault Circuit Interrupter (GFCI) protected supply.** Use of an GFCI reduces the risk of electric shock.

3. Personal safety

- a. **Stay alert, watch what you are doing and use common sense when operating a power tool. Do not use a power tool while you are tired or under the influence of drugs, alcohol or medication.** A moment of inattention while operating power tools may result in serious personal injury.
- b. **Use personal protective equipment. Always wear eye protection.** Protective equipment such as dust mask, non-skid safety shoes, hard hat, or hearing protection used for appropriate conditions will reduce personal injuries.
- c. **Prevent unintentional starting. Ensure the switch is in the off-position before connecting to power source and / or battery pack, picking up or carrying the tool.** Carrying power tools with your finger on the switch or energizing power tools that have the switch on invites accidents.
- d. **Remove any adjusting key or wrench before turning the power tool on.** A wrench or a key left attached to a rotating part of the power tool may result in personal injury.
- e. **Do not overreach. Keep proper footing and balance at all times.** This enables better control of the power tool in unexpected situations.
- f. **Dress properly. Do not wear loose clothing or jewelry. Keep your hair, clothing and gloves away from moving parts.** Loose clothes, jewelry or long hair can be caught in moving parts.
- g. **If devices are provided for the connection of dust extraction and collection facilities, ensure these are connected and properly used.** Use of dust collection can reduce dust-related hazards.
- h. **Do not let familiarity gained from frequent use of tools allow you to become complacent and ignore tool safety principles.** A careless action can cause severe injury within a fraction of a second.

General Power Tool Safety Warnings

4. Power tool use and care

- a. **Do not force the power tool. Use the correct power tool for your application.** The correct power tool will do the job better and safer at the rate for which it was designed.
- b. **Do not use the power tool if the switch does not turn it on and off.** Any power tool that cannot be controlled with the switch is dangerous and must be repaired.
- c. **Disconnect the plug from the power source and/or remove the battery pack, if detachable, from the power tool before making any adjustments, changing accessories, or storing power tools.** Such preventive safety measures reduce the risk of starting the power tool accidentally.
- d. **Store idle power tools out of the reach of children and do not allow persons unfamiliar with the power tool or these instructions to operate the power tool.** Power tools are dangerous in the hands of untrained users.
- e. **Maintain power tools and accessories. Check for misalignment or binding of moving parts, breakage of parts and any other condition that may affect the power tool's operation. If damaged, have the power tool repaired before use.** Many accidents are caused by poorly maintained power tools.
- f. **Keep cutting tools sharp and clean.** Properly maintained cutting tools with sharp cutting edges are less likely to bind and are easier to control.
- g. **Use the power tool, accessories and tool bits etc. in accordance with these instructions, taking into account the working conditions and the work to be performed.** Use of the power tool for operations different from those intended could result in a hazardous situation.
- h. **Keep handles and grasping surfaces dry, clean and free from oil and grease.** Slippery handles and grasping surfaces do not allow for safe handling and control of the tool in unexpected situations.

5. Battery tool use and care

- a. **Recharge only with the charger specified by the manufacturer.** A charger that is suitable for one type of battery pack may create a risk of fire when used with another battery pack.

- b. **Use power tools only with specifically designated battery packs.** Use of any other battery packs may create a risk of injury and fire.
- c. **When battery pack is not in use, keep it away from other metal objects like paper clips, coins, keys, nails, screws, or other small metal objects that can make a connection from one terminal to another.** Shorting the battery terminals together may cause burns or a fire.
- d. **Under abusive conditions, liquid may be ejected from the battery, avoid contact. If contact accidentally occurs, flush with water. If liquid contacts eyes, additionally seek medical help.** Liquid ejected from the battery may cause irritation or burns.
- e. **Do not use a battery pack or tool that is damaged or modified.** Damaged or modified batteries may exhibit unpredictable behaviour resulting in fire, explosion or risk of injury.
- f. **Do not expose a battery pack or tool to fire or excessive temperature.** Exposure to fire or temperature above 265 °F may cause explosion.
- g. **Follow all charging instructions and do not charge the battery pack or tool outside the temperature range specified in the instructions.** Charging improperly or at temperatures outside the specified range may damage the battery and increase the risk of fire.

6. Service

- a. **Have your power tool serviced by a qualified repair person using only identical replacement parts.** This will ensure that the safety of the power tool is maintained.
- b. **Never service damaged battery packs.** Service of battery packs should only be performed by the manufacturer or authorized service providers.

Safety Instructions for Miter Saws

- a. **Miter saws are intended to cut wood or wood-like products, they cannot be used with abrasive cut-off wheels for cutting ferrous material such as bars, rods, studs, etc.** Abrasive dust causes moving parts such as the lower guard to jam. Sparks from abrasive cutting will burn the lower guard, the kerf insert and other plastic parts.
- b. **Use clamps to support the workpiece whenever possible. If supporting the workpiece by hand, you must always keep your hand at least 100 mm (4") from either side of the saw blade. Do not use this saw to cut pieces that are too small to be securely clamped or held by hand.** If your hand is placed too close to the saw blade, there is an increased risk of injury from blade contact.
- c. **The workpiece must be stationary and clamped or held against both the fence and the table. Do not feed the workpiece into the blade or cut "freehand" in any way.** Unrestrained or moving workpieces could be thrown at high speeds, causing injury.
- d. **Push the saw through the workpiece. Do not pull the saw through the workpiece. To make a cut, raise the saw head and pull it out over the workpiece without cutting, start the motor, press the saw head down and push the saw through the workpiece.** Cutting on the pull stroke is likely to cause the saw blade to climb on top of the workpiece and violently throw the blade assembly towards the operator.
- e. **Never cross your hand over the intended line of cutting either in front or behind the saw blade.** Supporting the workpiece "cross handed" i.e. holding the workpiece to the right of the saw blade with your left hand or vice versa is very dangerous.
- f. **Do not reach behind the fence with either hand closer than 100 mm (4") from either side of the saw blade, to remove wood scraps, or for any other reason while the blade is spinning.** The proximity of the spinning saw blade to your hand may not be obvious and you may be seriously injured.
- g. **Inspect your workpiece before cutting. If the workpiece is bowed or warped, clamp it with the outside bowed face toward the fence. Always make certain that there is no gap between the workpiece, fence and table along the line of the cut.** Bent or warped workpieces can twist or shift and may cause binding on the spinning saw blade while cutting. There should be no nails or foreign objects in the workpiece.
- h. **Do not use the saw until the table is clear of all tools, wood scraps, etc., except for the workpiece.** Small debris or loose pieces of wood or other objects that contact the revolving blade can be thrown with high speed.
- i. **Cut only one workpiece at a time.** Stacked multiple workpieces cannot be adequately clamped or braced and may bind on the blade or shift during cutting.
- j. **Ensure the miter saw is mounted or placed on a level, firm work surface before use.** A level and firm work surface reduces the risk of the miter saw becoming unstable.
- k. **Plan your work. Every time you change the bevel or miter angle setting, make sure the adjustable fence is set correctly to support the workpiece and will not interfere with the blade or the guarding system.** Without turning the tool "ON" and with no workpiece on the table, move the saw blade through a complete simulated cut to assure there will be no interference or danger of cutting the fence.
- l. **Provide adequate support such as table extensions, saw horses, etc. for a workpiece that is wider or longer than the table top.** Workpieces longer or wider than the miter saw table can tip if not securely supported. If the cut-off piece or workpiece tips, it can lift the lower guard or be thrown by the spinning blade.
- m. **Do not use another person as a substitute for a table extension or as additional support.** Unstable support for the workpiece can cause the blade to bind or the workpiece to shift during the cutting operation pulling you and the helper into the spinning blade.
- n. **The cut-off piece must not be jammed or pressed by any means against the spinning saw blade.** If confined, i.e. using length stops, the cut-off piece could get wedged against the blade and thrown violently.
- o. **Always use a clamp or a fixture designed to properly support round material such as rods or tubing.** Rods have a tendency to roll while being cut, causing the blade to "bite" and pull the work with your hand into the blade.
- p. **Let the blade reach full speed before contacting the workpiece.** This will reduce the risk of the workpiece being thrown.

Safety Instructions for Miter Saws

- q. **If the workpiece or blade becomes jammed, turn the miter saw off. Wait for all moving parts to stop and disconnect the plug from the power source and/or remove the battery pack. Then work to free the jammed material.** Continued sawing with a jammed workpiece could cause loss of control or damage to the miter saw.
- r. **After finishing the cut, release the switch, hold the saw head down and wait for the blade to stop before removing the cut-off piece.** Reaching with your hand near the coasting blade is dangerous.
- s. **Hold the handle firmly when making an incomplete cut or when releasing the switch before the saw head is completely in the down position.** The braking action of the saw may cause the saw head to be suddenly pulled downward, causing a risk of injury.
- t. **Avoid overheating the saw blade tips.**

Additional Safety Rules

GFCI and personal protection devices like electrician's rubber gloves and footwear will further enhance your personal safety.

Do not use AC only rated tools with a DC power supply. While the tool may appear to work, the electrical components of the AC rated tool are likely to fail and create a hazard to the operator.

Keep handles dry, clean and free from oil and grease. Slippery hands cannot safely control the power tool.

Develop a periodic maintenance schedule for your tool. When cleaning a tool be careful not to disassemble any portion of the tool since internal wires may be misplaced or pinched or safety guard return springs may be improperly mounted. Certain cleaning agents such as gasoline, carbon tetrachloride, ammonia, etc. may damage plastic parts.

⚠ WARNING Some dust created by power sanding, sawing, grinding, drilling, and other construction activities contains chemicals known to cause cancer, birth defects or other reproductive harm. Some examples of these chemicals are:

- Lead from lead-based paints,
- Crystalline silica from bricks and cement and other masonry products, and
- Arsenic and chromium from chemically-treated lumber.

Your risk from these exposures varies, depending on how often you do this type of work. To reduce your exposure to these chemicals: work in a well ventilated area, and work with approved safety equipment, such as those dust masks that are specially designed to filter out microscopic particles.




Additional Safety Rules

⚠ WARNING Do not use the Bosch GCM18V-12GDC miter saw to cut fiber cement board. Cutting materials containing crystalline silica may create exposures to respirable silica dust.

⚠ WARNING Before each use, review all warnings located on the miter saw.



The operation of any power tool can result in foreign objects being thrown into the eyes, which can result in severe eye damage. Always wear safety goggles that comply with ANSI Z87.1 (shown on package) before commencing power tool operation.

		 Do Not Carry the Saw by this handle. No lleve la sierra por este mango. Ne transportez pas la scie par sa poignée.
DESIGNATED DANGER ZONES	DESIGNATED PINCH POINT AREA	DESIGNATED NO-CARRY AREA
Avoid positioning hands, fingers or arms	A danger zone – avoid placing hands, fingers or arms in these areas. never attempt to move or lift the saw in these areas.	A danger zone – never lift or carry saw by the main switch handle.

Electrical Requirements

Electric Brake

Your saw is equipped with an automatic electric brake which is designed to stop the blade from spinning in about five (5) seconds after you release the trigger switch. It is useful when making certain cuts in wood where a coasting blade would result in a wide, imprecise cut.

⚠ WARNING When electrical power is lost due to blown fuse or other causes, the motor will gradually slow down and the braking action is initiated **ONLY** by the release of the trigger switch.

The electric blade brake of your miter saw has been designed for highest degree of reliability, but unexpected circumstances such as contamination on the commutator

and brushes or failure of motor's components can cause the brake not to activate. If this condition occurs, turn the saw "ON" and "OFF" four to five times without contacting the workpiece. If the tool operates but the brake does not consistently stop the blade in about five seconds, **DO NOT** use saw and have it serviced immediately.

⚠ WARNING The brake action of this saw is not intended as a safety feature. Remember to let the saw blade come to a complete stop before raising the blade from the workpiece. As always, the guard system is your best protection against unintentional contact with a spinning saw blade. **NEVER** wedge open or defeat the closing action of the lower guard.

Licenses

Copyright (C) 2009–2016 ARM LIMITED

All rights reserved.

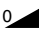



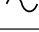
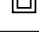

Redistribution and use in source and binary forms, with or without modification, are permitted provided that the following conditions are met:

- Redistributions of source code must retain the above copyright notice, this list of conditions and the following disclaimer.
- Redistributions in binary form must reproduce the above copyright notice, this list of conditions and the following disclaimer in the documentation and/or other materials provided with the distribution.
- Neither the name of ARM nor the names of its contributors may be used to endorse or promote products derived from this software without specific prior written permission.

THIS SOFTWARE IS PROVIDED BY THE COPYRIGHT HOLDERS AND CONTRIBUTORS "AS IS" AND ANY EXPRESS OR IMPLIED WARRANTIES, INCLUDING, BUT NOT LIMITED TO, THE IMPLIED WARRANTIES OF MERCHANTABILITY AND FITNESS FOR A PARTICULAR PURPOSE ARE DISCLAIMED. IN NO EVENT SHALL THE COPYRIGHT OWNER OR CONTRIBUTORS BE LIABLE FOR ANY DIRECT, INDIRECT, INCIDENTAL, SPECIAL, EXEMPLARY, OR CONSEQUENTIAL DAMAGES (INCLUDING, BUT NOT LIMITED TO, PROCUREMENT OF SUBSTITUTE GOODS OR SERVICES; LOSS OF USE, DATA, OR PROFITS; OR BUSINESS INTERRUPTION) HOWEVER CAUSED AND ON ANY THEORY OF LIABILITY, WHETHER IN CONTRACT, STRICT LIABILITY, OR TORT (INCLUDING NEGLIGENCE OR OTHERWISE) ARISING IN ANY WAY OUT OF THE USE OF THIS SOFTWARE, EVEN IF ADVISED OF THE POSSIBILITY OF SUCH DAMAGE.

Symbols

Important: Some of the following symbols may be used on your tool. Please study them and learn their meaning. Proper interpretation of these symbols will allow you to operate the tool better and safer.

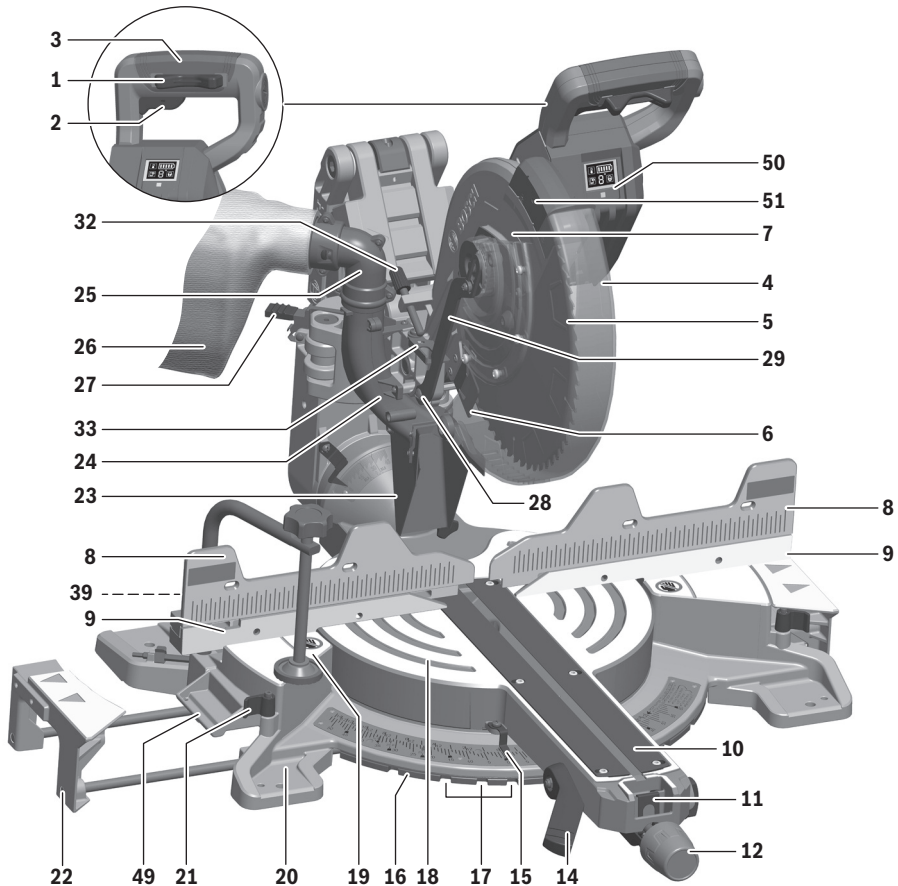
Symbol	Designation / Explanation
V	Volts (voltage)
A	Amperes (current)
Hz	Hertz (frequency, cycles per second)
W	Watt (power)
kg	Kilograms (weight)
min	Minutes (time)
s	Seconds (time)
CFM	Cubic feet per minute [or ft ³ /min] (air flow rate)
∅	Diameter (size of drill bits, grinding wheels, etc.)
n ₀	No load speed (rotational speed at no load)
n	Rated speed (maximum attainable speed)
.../min	Revolutions or reciprocation per minute (revolutions, strokes, surface speed, orbits etc. per minute)
0	Off position (zero speed, zero torque...)
1, 2, 3, ... I, II, III,	Selector settings (speed, torque or position settings. Higher number means greater speed)
	Infinitely variable selector with off (speed is increasing from 0 setting)
	Arrow (action in the direction of arrow)
	Alternating current (type or a characteristic of current)
	Direct current (type or a characteristic of current)
	Alternating or direct current (type or a characteristic of current)
	Class II construction (designates double insulated construction tools)
	Earthing terminal (grounding terminal)

Symbols

Important: Some of the following symbols may be used on your tool. Please study them and learn their meaning. Proper interpretation of these symbols will allow you to operate the tool better and safer.

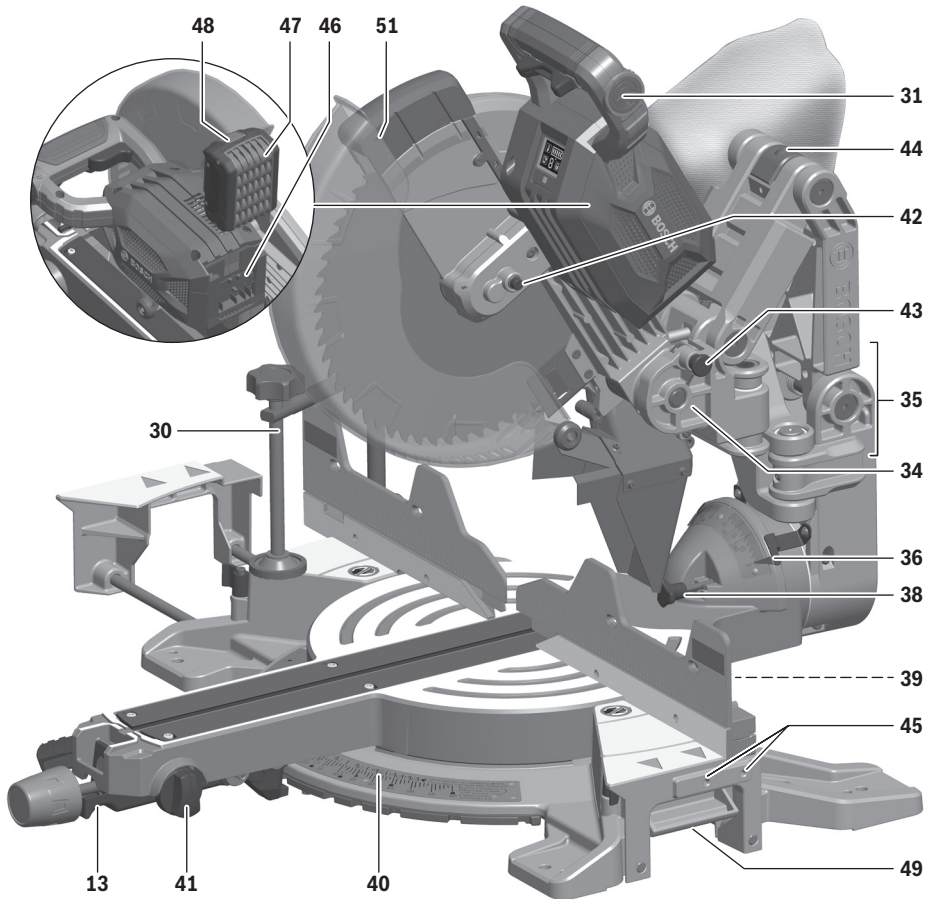
Symbol	Designation / Explanation
	Designates Li-ion battery recycling program
	Designates Ni-Cad battery recycling program
	Alerts user to read manual
	Alerts user to wear eye protection
	This symbol designates that this tool is listed by Underwriters Laboratories.
	This symbol designates that this component is recognized by Underwriters Laboratories.
	This symbol designates that this tool is listed by Underwriters Laboratories, to United States and Canadian Standards.
	This symbol designates that this tool is listed by the Canadian Standards Association.
	This symbol designates that this tool is listed by the Canadian Standards Association, to United States and Canadian Standards.
	This symbol designates that this tool is listed by the Intertek Testing Services, to United States and Canadian Standards.
	This symbol designates that this tool complies to NOM Mexican Standards.

Getting To Know Your Miter Saw



- 1. Switch Lock-OFF Release Buttons** – One of these two buttons must be pressed before the power switch can be pressed.
- 2. Power Switch** – The power switch used with the “Lock-OFF” button energizes the unit.
- 3. Main Handle** – This handle contains the power switch. Pulling this handle down lowers the blade into the workpiece.
- 4. Lower Blade Guard/Lower Guard Lip** – The lower blade guard helps protect your hands from the spinning blade. It retracts as the blade is lowered. Lip can be used to raise the lower guard in the event that the guard becomes jammed on a workpiece.
- 5. Blade** – Use only 12" (305 mm) diameter blades with 1" (25.4 mm) diameter arbor holes.
- 6. Chip Deflector** – Deflects cut-off workpieces from entering the upper guard.
- 7. Upper Guard** – Covers upper portion of the blade.
- 8. Sliding Fences** – Support for the workpiece. The fences have a cast-in scale to make repetitive cuts easy. The fences also have holes to secure an auxiliary fences if desired.
- 9. Stationary Fence** – Stationary fence is bolted to the base and will support the workpiece when the sliding fence is removed.
- 10. Kerf Inserts** – Kerf inserts can be adjusted to different blade widths to minimize workpiece tear-out.
- 11. Miter Detent Override** – Allows detent ac-

Getting To Know Your Miter Saw



tion to be locked out, allowing for micro-adjustments to any miter angle.

- 12. Miter Lock Knob** – The miter lock knob locks the miter saw table at any desired miter angle.
- 13. Miter Detent Lever** – The lever releases the table from the detent.
- 14. Bevel Lock Lever** – The front-positioned bevel lock lever locks the head assembly at the desired bevel angle.
- 15. Miter Scale/Miter Pointer** – The pointer rotates with the table and blade. It points to the miter scale to indicate the angle setting before a cut is made.
- 16. Miter Detent Plate** – The position of the

plate can be adjusted to set the accuracy of its detent locations.

- 17. Miter Detents** – There are ten (10) miter detent slots for fast and accurate miter cuts of common miter angles.
- 18. Table** – Provides workpiece support, rotates for desired miter cuts and rotates the head assembly. The front extended part of the table is called the miter arm.
- 19. Base** – Provides working surface to support workpiece.
- 20. Tool Mounting Pads** – The four corners of the saw provide areas to clamp, bolt or nail the saw to a flat work surface.
- 21. Base Extension Clamping Levers** – Lock

Getting To Know Your Miter Saw

- the base extensions at the desired positions.
- 22. Sliding Base Extensions** – Provide extra work support. Useful when cutting long workpieces.
 - 23. Rubber Deflector** – Attaches to bottom of chute. Deflects dust into the chute.
 - 24. Dust Chute** – Directs sawdust up and through the elbow and to the bag.
 - 25. Elbow** – Connects the dust chute to the dust bag. Can be rotated to direct dust.
 - 26. Dust Bag** – Has a zipper at the bottom. Bag can be uncoupled from elbow for emptying.
 - 27. Mechanism Lock Lever** – Holds saw in full back position for chop cuts or fully extended for transporting.
 - 28. Link Knob** – Attaches guard link to the pivot post.
 - 29. Lower Guard Link** – Allows for smooth movement of the lower guard.
 - 30. Clamp** – Use to hold the workpiece to the table and base – insert into clamp post location (item 39).
 - 31. Connectivity Module Compartment** – Bosch Connectivity Module is used to connect the tool to Bosch Toolbox app on a mobile device.
 - 32. Depth Stop Screw** – Turn the knob end to adjust the blade depth for cutting grooves.
 - 33. Depth Stop Plate** – Plate can be swung out to limit the depth of the blade travel.
 - 34. Pivot Post** – Provides support for the saw head, dust collection system and other functional parts.
 - 35. Axial Glide Mechanism** – Allows saw to smoothly slide in and out. Can be locked in full rear or fully extended positions.
 - 36. Bevel Scale and Pointers** – Scale is large and angled - allows user to easily read bevel angles. Pointer indicates what the current angle is.
 - 37. Bevel Post** – Provides rotating support for all miter saw parts above the table.
 - 38. Bevel Detent Pin (Crown Molding Setting)** – When engaged, it locks the head assembly to the bevel angle of 33.9° to the left or right.
 - 39. Clamp Post Locations** – Two vertical post holes in the base – provided to insert the clamp (item 30).
 - 40. Miter Detent Plate Screws** – Four screws accessible through holes in the miter scale. These screws are loosened when adjusting position of the detent plate.
 - 41. Bevel Range Selector Knob** – Allows selection of 3 bevel ranges: “0-45° Left”, “0-45° Right” or “Max. Bevel Angle to 47°.”
 - 42. Arbor Lock** – Press arbor lock button to keep blade from rotating when loosening or tightening arbor bolt during blade removal or installation.
 - 43. Head Assembly Lock Pin** – Used to lock the head assembly in the lower position for transporting.
 - 44. Glide Movement Controller** – Adjusts to regulate movement of the glide mechanism.
 - 45. Mounting Holes for Optional Crown Stop or Length Stop.**
 - 46. Battery Bay** – used to insert Bosch battery packs.
 - 47. Battery Pack** (sold separately)
 - 48. Battery Pack Release button** – used to remove battery pack from the battery bay.
 - 49. Cast-in Carry Handles** – Used for lifting and transporting of saw.
 - 50. User Interface** – used to select the preset speed levels and to indicate the status of the power tool and battery.
 - 51. Set Screws for Laser Line Guide** – used to adjust the laser line guides.

Specifications

Cordless Miter Saw GCM18V-12GDC

Voltage	18 V ⁻⁻⁻
Allowed ambient temperature:	
– during charging	32...113 °F (0...+45 °C)
– during operation	-4...122 °F (-20...+50 °C)
– during storage	32...122 °F (0...+50 °C)

Battery Packs/Chargers

Please refer to the battery/charger list, included with your tool.

Connectivity Module (sold separately)

Please refer to the operating/safety instructions, included with connectivity module.

Intended Use

⚠ WARNING Use this miter saw only as intended. Unintended use may result in personal injury and property damage.

Cutting Capacities

Key Moldings / Positioning	Maximum Size
Base Molding Against Fence	7-1/4" (185mm) from 47° Left to 31.6° Right 4" (100mm) from 31.6° Right to 60° Right
38° Crown Molding Angled Against Fence*	5-1/2" (140mm)
45° Crown Molding Angled Against Fence*	6" (152mm)
Crown Molding Flat on Table	11-1/2" (292mm)
* Within miter range of 0° to 47° Left	
Miter / Bevel	Maximum Height x Width
0°/ 0°	3-1/2" x 13-1/2" (89mm x 343mm)
0°/ 0° with 3/4" (19 mm) table spacer	2-7/8" x 15" (73mm x 381mm)
45°/ 0°	3-1/2" x 9-1/2" (89mm x 241mm)
0°/ 45° (Left)	2" x 13-1/2" (50mm x 343mm)
0°/ 45° (Right)	1-1/2" x 13-1/2" (38mm x 343mm)
45°/ 45° (Left)	2" x 9-1/2" (20mm X 241mm)
45°/ 45° (Right)	1-1/2" x 9-1/2" (38mm X 241mm)

Unpacking And Checking Contents

Unpacking the Miter Saw – When removing this tool from packaging materials, reach down to the two side carry-handle locations and slowly lift until it clears the package.

⚠ WARNING To avoid severe pinching, never lift or move this saw by gripping any component of the mechanism support system.


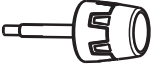
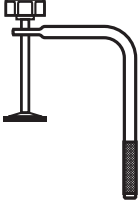
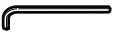



This symbol is placed at various locations on the tool to warn the user of pinch-point areas.

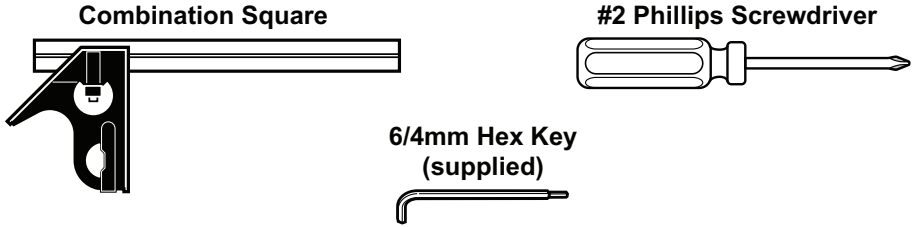
Checking Contents in Package – Open the top of the package and look for the included loose parts. Refer to the diagram below.

Some small parts such as the bevel lock lever and miter lock knob require attachment to the tool before it is ready for use – See “Attaching Loose Parts” on page 18.

Loose Parts - 1 of each shown **☑ Check off for each part**

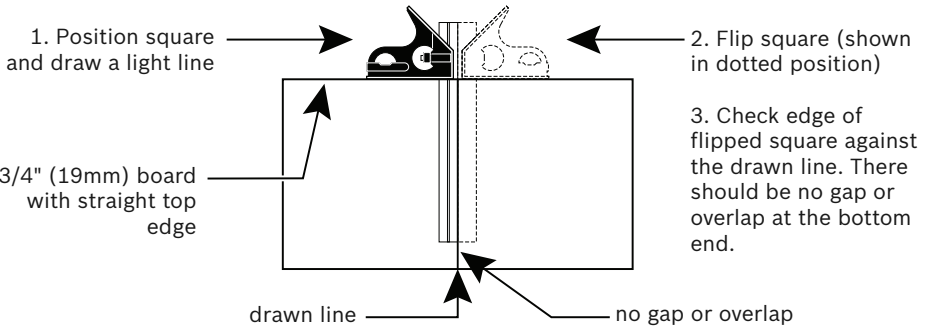
<input type="checkbox"/> 6/4mm Hex Key  <input type="checkbox"/> Miter Lock Knob 	<input type="checkbox"/> Workpiece Clamp  <input type="checkbox"/> 2.5mm Hex Key 	<input type="checkbox"/> Manual 
--	--	--

Tools Needed For Assembly



NOTE: A 6mm and a 4mm hex key can be substituted for the supplied 6/4mm hex key.

Combination Square Must Be True - Checking Combination Square



Assembly

⚠ WARNING To avoid possible injury, disconnect battery pack before performing any assembly, adjustments or repairs.

Attaching Loose Parts

Attaching the Miter Lock Knob – Locate the miter lock knob **12** from among the loose parts.

1. Look under the turntable's front arm above the lock lever and locate the 10mm hole (see Fig. 1).
2. Insert the long shaft of the miter lock knob through this hole until it stops.
3. Turn the knob clockwise (about 10 full revolutions) until it is tight or "locked."
4. Loosen the knob 1/2 turn to unlock it. The table is now free to be moved on the base.

Using the Miter Lock Knob –

1. Loosen the miter lock knob.
2. While holding the knob in your palm, reach down with your index or middle finger and pull up the detent lever. While gripping knob, rotate table left or right to needed miter angle and release the lever.
3. Tighten the knob once you are at the correct angle.

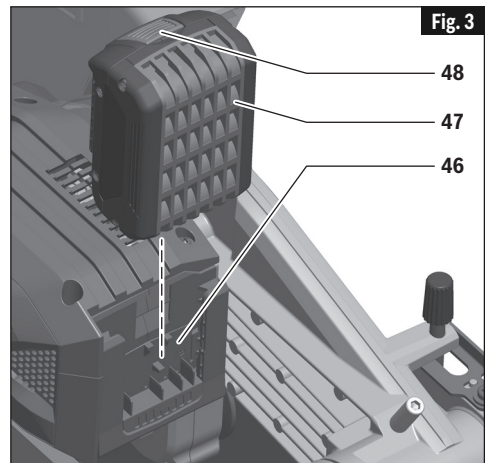
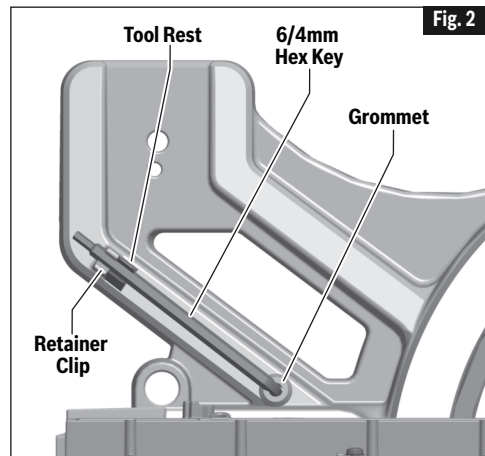
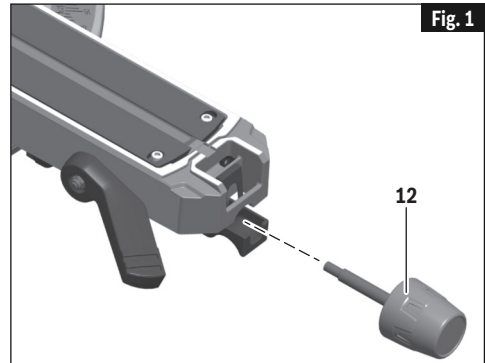
NOTE: It is recommended to tighten the miter lock knob before all cuts. It is required to tighten the knob before cutting at any angle between detent engagements or when the miter detent override system is in use.

Storing the 6/4mm Hex Key – There is a storage location on the saw to store the 6/4mm hex key. Insert the short leg of the hex key through the rubber grommet as shown. Place the long leg into the tool rest and press down into the retainer clip (see Fig. 2).

NOTE: The 6/4mm hex key is needed to change the blade and to make tool adjustments. If lost, two separate hex keys may be substituted: a 4mm hex key and a 6mm hex key.

Inserting and Releasing Battery Pack

Slide charged battery pack **47** into the battery bay **46** until the battery pack locks into position (Fig. 3).



Assembly

Your tool is equipped with a secondary locking latch to prevent the battery pack from completely falling out of the battery bay, should it become loose due to vibration.

To remove the battery pack, press the battery pack release button **48** and slide the battery pack completely out of the battery bay (Fig. 3).

Removing and Installing Blades

CAUTION Always wear gloves when changing or handling blades. Blade tips can cause personal injury.

REMOVING BLADE

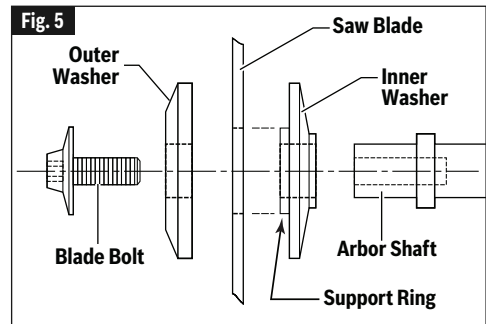
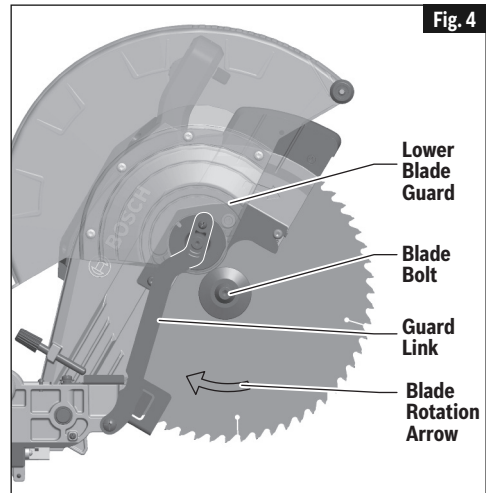
1. Position the saw in the UP position and at 0° bevel. If in the DOWN position, press down slightly on the saw head assembly and pull out the head assembly lock pin (item **43**, page 12); then allow the saw head to come up.
2. Rotate Lower Blade Guard until there is a clear access to the Blade Bolt (Fig. 4).
3. Press and hold the arbor lock (red button on opposite side of upper guard – item **42**, page 12). Rotate the blade slowly while pressing the arbor lock until it fully seats into its lock position.
4. Using the 6/4mm hex key, loosen the blade bolt by firmly turning it **clockwise**. NOTE: This bolt has left-hand threads.
5. Remove the blade bolt and outer washer. Carefully grab the blade. Slide the blade away from the inner washer and off the arbor shaft, then down and away from the saw. Leave the inner washer on the arbor shaft (see Fig. 5).

INSTALLING 12" (305mm) BLADE

WARNING To avoid injury, do not use a blade larger or smaller than 12" diameter and 1" (25.4mm) arbor. The blade's maximum plate thickness is 0.100" (2.54mm).

WARNING To reduce risk of injury, use saw blade rated 4000/min (RPM) or greater.

1. Follow all "Moving Guard Assembly" and "Removing Blade" steps.
2. Carefully handle the new blade. Check



that the rotation arrow on the blade matches the rotation arrow on the lower guard. Slide the blade up and between the sides of the chip deflector and over the arbor shaft. Move the blade so its arbor hole goes around the support ring of the inner washer (see Fig. 4 and 5).

3. Place the outer washer over the arbor shaft and finger-tighten the blade bolt (counterclockwise). Check that the blade remained on the inner washer's support ring.
4. Rotate the blade slowly while pressing the arbor lock until it fully seats into its lock position.
5. Using the 6/4mm hex key, firmly tighten the blade bolt **counterclockwise**. NOTE: This bolt has left-hand threads. Do not over tighten. A 6mm hex key may be used as an alternate.
6. Remove the lower guard link from the

Assembly

rear cover plate screw. Rotate the lower guard and cover plate around the front cover plate screw until the cover plate's slot slides under the rear cover plate screw head. Fully tighten both cover plate screws using the 6/4mm hex key.

7. Place the lower guard link back to the original position, then firmly fingertighten the link knob to the pivot post. It may be necessary to retract the lower guard while tightening the link knob.
8. Be sure the arbor lock is released so the blade turns freely.
9. Place the 6/4mm hex key back in storage area.

⚠ WARNING Tighten the cover plate screws. Loose cover plate screws may interfere with and hang up lower blade guard. Never use saw without cover plate securely in place. Lower guard will not function properly.

⚠ WARNING After installing a new blade, make sure the blade does not interfere with the table insert at 0° and 45° bevel positions. Lower the blade into the blade slot and check for any contact with the base or turntable structure. If the blade contacts base or table, seek authorized service.

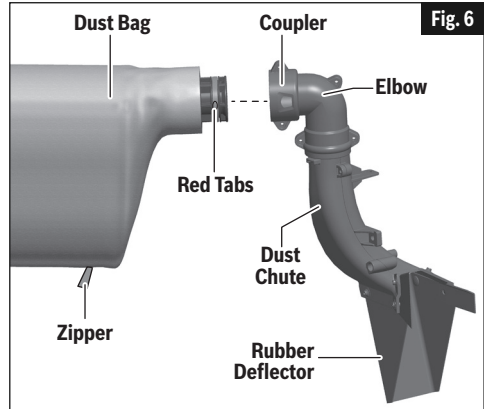
Assembling Dust Collection System

The dust collection system used on this tool is unique because it is not attached to the upper guard. This placement provides superior dust collection for the majority of cuts. When adjusting or removing any dust collection components, be sure the saw is unplugged.

ATTACHING AND ADJUSTING THE DUST BAG

Attaching and Removing Dust Bag – To attach the dust bag, squeeze the two red tabs together and slide the dust bag into the dust port rib (see Fig. 6).

Adjusting Dust Bag – After attaching the bag, it is recommended to do a “dry cut” before cutting with the saw – this means: unplug the tool, preset it for intended cut and practice the cut. For some bevel cuts, the sliding fence may have to be moved or removed to avoid being cut or making contact with the dust bag. The bag's position



may also need a rotating adjustment if it contacts the workpiece during a slide cut.

USING AND CLEANING THE DUST BAG

⚠ WARNING Be extremely careful when disposing of dust. Materials in fine particle form may be explosive. Do not throw sawdust on an open fire. Spontaneous combustion, in time, may result from the mixture of oil or water with dust particles.

Using Dust Bag – Attach the clean bag to the elbow. Adjust the elbow and dust bag, if necessary, so they do not interfere with the tool during the intended cutting operation.

Cleaning Dust Bag – After the dust bag is 2/3 to 3/4 full, remove it from the saw. Bring the bag to a proper container and pull open the zipper located on the bottom of the bag. Hold the bag by the coupler end and shake it vigorously until all the dust and debris fall from it. Close zipper and reattach the bag. NOTE: Clean the bag at the end of the cutting session and before transporting or storing the saw (see Fig. 6).

Assembly

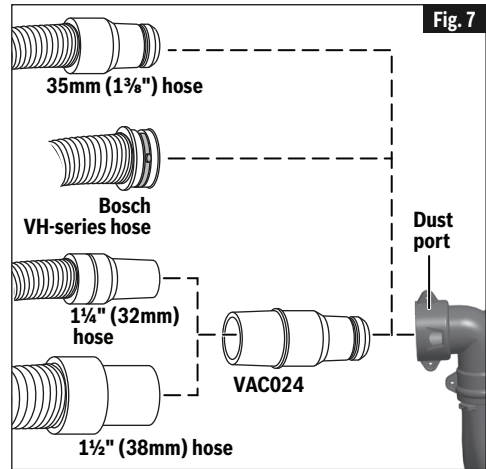
ATTACHING A VACUUM CLEANER/ DUST EXTRACTOR

The saw's dust port will accept the typical nozzles from 35 mm (1 3/8") vacuum cleaner hoses, and Bosch VH-Series hoses.

To connect the saw with a 1 1/4" (32mm) or 1 1/2" (38mm) hose, the Bosch VAC024 adapter can be used (sold separately).

Note: the sizes above indicate the **hose** diameters and not the **nozzle** diameters.

Attaching to Vacuum – Insert the vacuum nozzle into (or onto) the exit port as far as it will go (Fig. 7). Check to see that the vacuum hose is free from the mechanism and cutting path before plugging saw into power source.



Adjustments

⚠ WARNING To avoid possible injury, disconnect battery pack before performing any assembly, adjustments or repairs.

Using the Head Assembly Lock Pin

HEAD ASSEMBLY LOCK PIN

The head assembly lock pin **43** is located on the right side of the pivot post **34**. It is used to hold the saw's head assembly in the DOWN position. This position prevents the head from bouncing up and down during transportation. This also makes the saw more compact for lifting and storage. This position is also required for some calibrating procedures.

TO ENGAGE THE HEAD ASSEMBLY LOCK PIN

1. Check that the depth stop plate **33** is disengaged, or pressed in to the right position.
2. Grasp the saw's main handle **3** and press down on the head assembly.
3. While pressing the saw head down, push in on the head assembly lock pin. Release the head assembly. The head will be locked in the DOWN position (see Fig. 8).

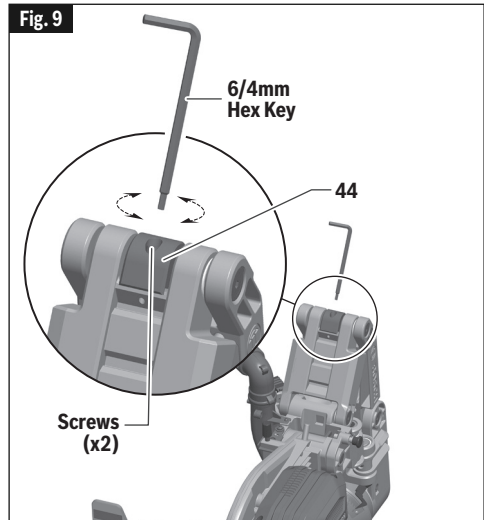
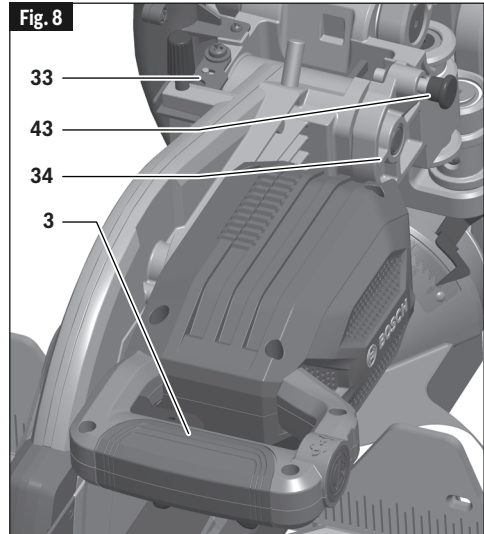
TO DISENGAGE THE HEAD ASSEMBLY LOCK PIN

1. Grasp the main handle and press down on the head assembly.
2. While pressing the head down, pull out the head assembly lock pin. Release the lock pin, but maintain your grip on the main handle. Slowly allow the spring-loaded saw head to come up to the top of its travel and then release the handle.

Using the Glide Movement Controller

TO ADJUST THE GLIDE MOVEMENT CONTROLLER

The glide movement controller **44** is attached to the upper joint of the glide mechanism; it is designed to control the smoothness of the saw's glide action. When assembled at the factory, the controller is not adjusted; therefore, the movement is very smooth. To adjust the glide mecha-



nism's smoothness, slightly tighten or loosen the two screws at the top by using the 6/4mm hex key or a 4mm hex key (see Fig. 9).

Adjustments

Using the Mechanism Lock Lever

MECHANISM LOCK LEVER

The lock lever **27** is located on the rear left side of the mechanism.

When engaged, it locks the system (item **35** – page 12) in either the full forward or the full back position and prevents movement while transporting the saw. When held in the full back position, the saw is more compact for lifting and storage. The full back position is often used while performing chop cuts.

TO ENGAGE THE LOCK LEVER

Saw in the Full Back Position – (Fig. 10)

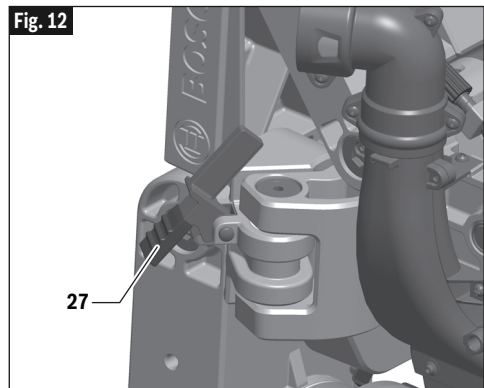
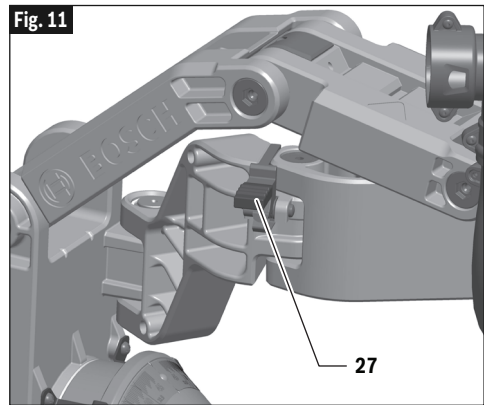
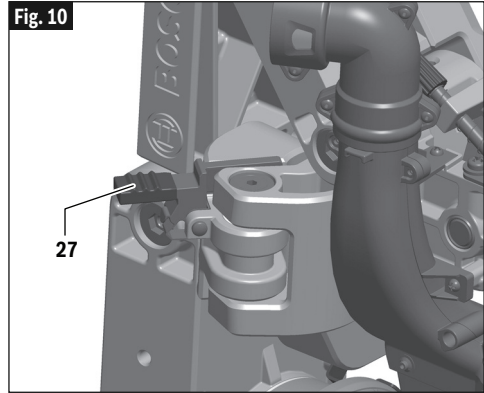
1. Grasp the saw's main handle (item **3** – page 12) and push (slide) the head assembly back as far as it goes. The upper housings will be upright and closed.
2. Lift the tab on the lock lever to engage its wedge into the joint area between the two lower housings. Release the lock lever tab and the main handle. The head assembly will be locked in the full back position.

Saw in the Full Forward Position – (Fig. 11)

1. Grasp the main handle (item **3** – page 12) and pull (slide) the head assembly toward you as far as it goes. The mechanism will be fully extended.
2. Lift the tab on the lock lever to engage its wedge into the joint area between the two lower housings. Release the lock lever tab and the main handle. The head assembly will be locked in the full forward position.

From Back or Forward Positions – (Fig. 12)

1. Grip the tab on the lock lever and press down until its wedge comes out from between the two lower housings. Release your grip; the mechanism is now free to slide forward and back.



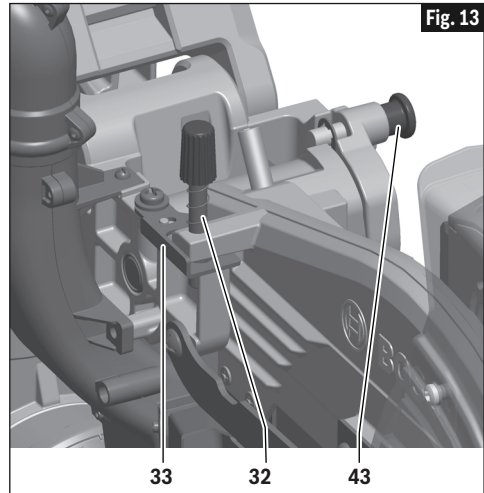
Adjustments

Depth of Cut Adjustment

When a new blade is installed, it may be necessary to check the clearance of the blade to the turntable structure. The depth stop plate is a feature provided to allow for (normal) full-depth cuts or non-through cuts used to cut grooves.

SETTING BLADE DEPTH FOR NORMAL FULL-DEPTH CUTS

- When making normal full-depth cuts, push the depth stop plate **33** in toward the saw head (see Fig. 13). This will allow the depth stop screw **32** to pass through the hole in the plate.
- Check for full depth of cut:
 - Set table at 0° miter and push saw fully back.
 - Pull out head assembly lock pin **43** to the release position.
 - Push down saw head and watch the depth stop screw pass through the stop plate without any binding or contact with the plate.

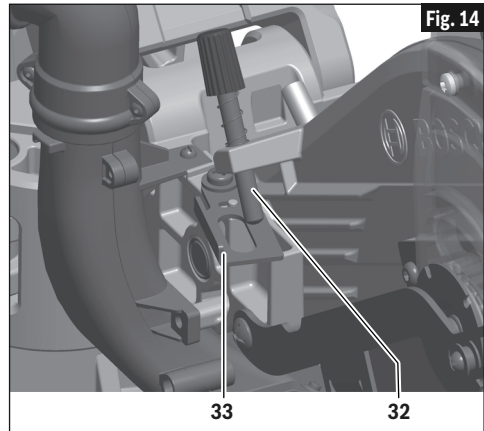


SETTING BLADE DEPTH FOR NON-THROUGH CUTS FOR CUTTING GROOVES

NOTE: For best results, Bosch recommends the use of a table saw with an optional dado blade set for cutting grooves and non-through cuts. In the event this is not available, the feature described below is a convenient alternative.

- Release (pull out) the head assembly lock pin and allow the saw head to move fully up. Slide saw head to the full back position.
- Pull the depth stop plate out away from the saw head (see Fig. 14).
- Grip the main handle (item **3** – page 12) and push down the saw head while watching the depth stop screw contact the top surface of the depth stop plate. The screw will not pass through the hole in the plate.
- Turn the knob at the end of the depth stop screw (while the threaded end is in contact with stop plate) and watch the bottom of the saw blade move. This adjustment sets the depth of cut.

See page 52 for “Cutting Grooves” instructions.



Adjustments

Miter Detent System – Adjustment Procedure

CALIBRATING MITER DETENT SYSTEM

1. Engage the miter detent at the 0° position. Loosen the miter lock knob 1/2 turn.
2. Look for four round holes in the miter scale plate. In each hole is a screw **40**. Use the small end of the 6/4mm hex key or a 4mm hex key to loosen all four screws 1 to 2 turns. This will loosen the miter detent plate **16** (see Fig. 15).
3. Lock saw down using the head assembly lock pin (item **43** – page 12).
4. Hold one side of a 90° combination square against the fence and rotate the table (and detent plate) until the side of the saw blade is in full contact with the other side of the square (Fig. 16).
5. Tighten all four screws – loosen and reset the miter scale pointer to the “0” position.

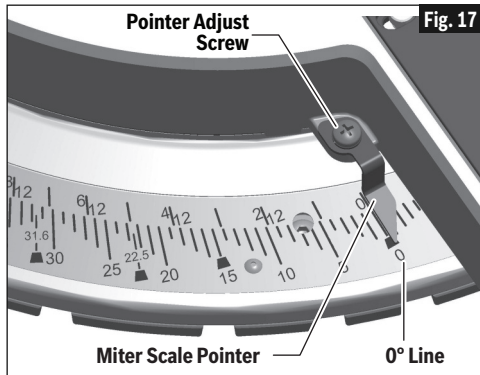
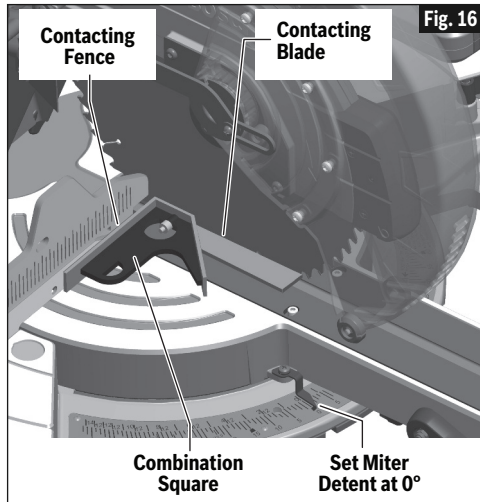
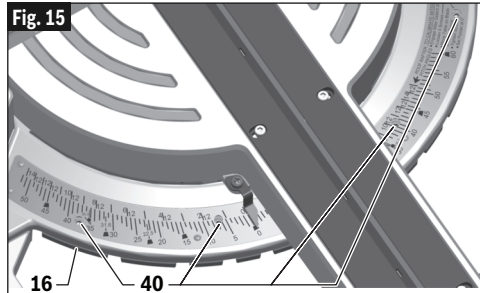
MITER SCALE POINTER ADJUSTMENT

1. Rotate table to 0° position and lock in place.
2. Raise the head assembly to the full UP position.
3. Loosen the pointer adjust screw that holds the miter scale pointer in place (see Fig. 17).
4. Position the pointer to align with the 0° line. Tighten the screw.

Kerf Insert Adjustment

The kerf inserts should be adjusted close to the blade, but without touching the blade, to avoid tear-out on the bottom of the workpiece.

1. Hold the saw head assembly down and push in the head assembly lock pin (item **43** – page 12) to keep the saw in the DOWN position.
2. Loosen the six kerf screws using the supplied 6/4mm hex key (Fig. 18).
3. Adjust the kerf inserts as close to the blade (teeth) as possible without touching the blade.
4. Tighten the kerf screws.



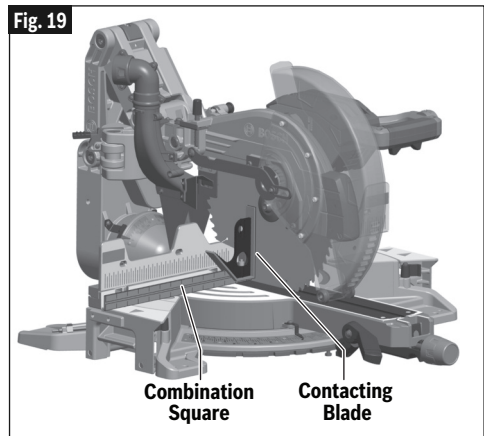
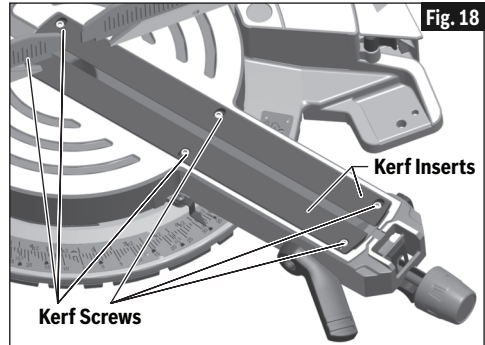
NOTE: At extreme bevel angles, the saw blade may slightly cut into kerf insert.

Adjustments

0° Bevel Stop – Adjustment Procedure

CHECKING 0° BEVEL STOP SETTING

1. Hold the saw head assembly down and push in the head assembly lock pin (item **43** – page 12) to keep the saw in the DOWN position.
2. Slide the head assembly completely to the back and engage the lock lever (item **27** – page 12) by lifting up the finger tab.
3. Rotate the table to the 0° miter position.
4. Pull up the bevel lock lever to loosen.
5. Check the position of the bevel range selector knob; it should be at the “0-45° Left” position.
6. Tilt the saw assembly to the left (counterclockwise), then rotate to the right (clockwise) until it hits the stop in the vertical position – this is where the saw is currently set to make a 0° cut.
7. Push down the bevel lock lever to lock the angle position.
8. Use a combination square to check that the blade is 90° (square) to the table. Place the square’s ruler edge against the table and slide it to contact the blade with the vertical side of the square’s head (see Fig. 19).
9. Check that the saw blade’s plate (not teeth) is touching the square’s 90° side. If the saw blade’s plate is not in full contact with the square’s body 90° side, follow the “Adjusting 0° Bevel Stop” procedures.

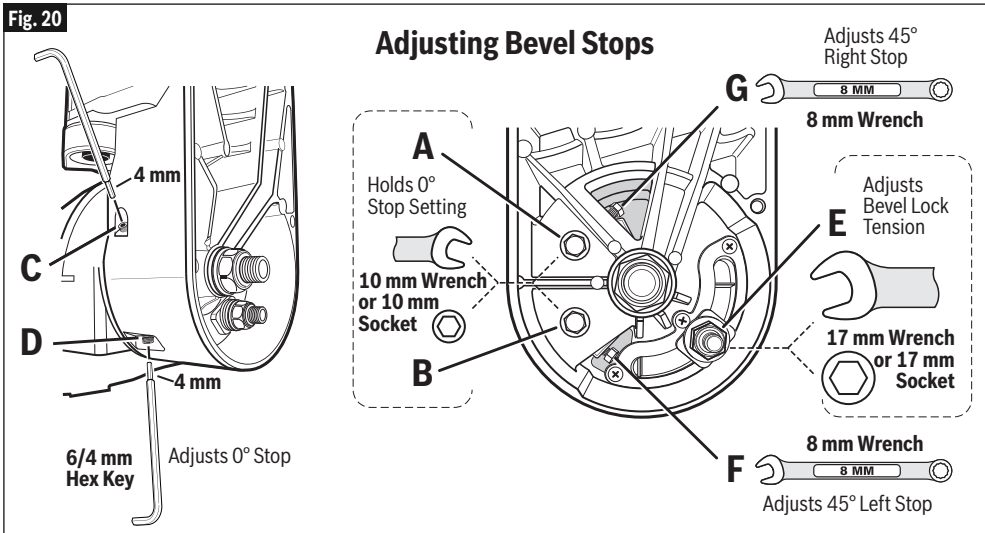


Adjustments

ADJUSTING 0° BEVEL STOP (BLADE 90° TO TABLE)

1. Pull up the bevel lock lever to loosen.
2. Loosen bolt heads "A" and "B" using a 10mm open end wrench or socket (with socket wrench). Loosen bolts at least one full turn (see Fig. 20).
3. Loosen set screw "D" using the 4mm end of the 6/4mm hex key (provided with tool, but may also use a standard 4mm hex key). Loosen screw at least three full turns.
4. Place combination square on table and against blade (see Fig. 19).
5. Using the 4mm end of hex key, turn set screw "C" and watch the saw blade tilt. Turn screw "C" until the blade is aligned (full contact) with the square's body's edge. After aligning, remove hex key.
6. Tighten set screw "D" using 4mm hex key.
7. Tighten bolt heads "A" and "B" using 10mm open end wrench.
8. Adjust bevel scale pointers (item 36 – page 12) to be in line with the bevel scale's 0° lines.
9. Push down the bevel lock lever to lock.

Fig. 20



45° Bevel Stop – Adjustment Procedure

CHECKING 45° BEVEL STOP SETTING

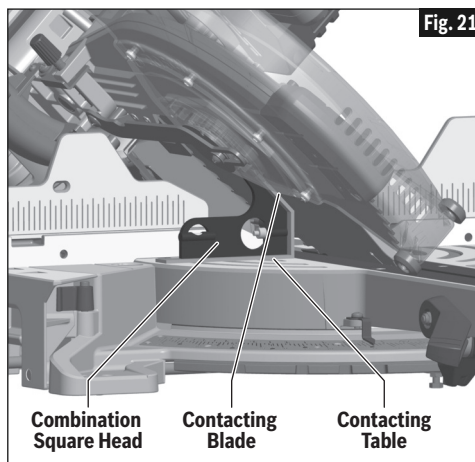
1. Hold the saw head assembly down and push in the head assembly lock pin (item 43 – page 12) to keep the saw in the DOWN position.
2. Slide the head assembly completely to the back and engage the lock lever (item 27 – page 12) by lifting up the finger tab.
3. Rotate the table to the 0° miter position.
4. Pull up the bevel lock lever to unlock. Move the left sliding fence fully to the left.
5. Check the position of the bevel range selector knob; it should be at the "0-45° Left" position.
6. Tilt the saw assembly to the left (counter-clockwise) until it hits the 45° stop – this is where the saw's 45° stop is set to make a 45° left bevel cut.
7. Use a combination square to check that the blade is 45° to the table. Remove the rule blade from the combination square. Place only the combination square's head on the saw's table with its long flat side resting on the table and its 45° side against the tilted blade (see Fig. 21).
8. Check that only the saw blade's plate (not teeth) is touching the square's 45°

Adjustments

side. If the saw blade's plate is not in full contact with the square's head 45° side, follow the "Adjusting 45° Bevel Stop" procedures.

ADJUSTING 45° BEVEL STOP (SAW BLADE 45° TO TABLE)

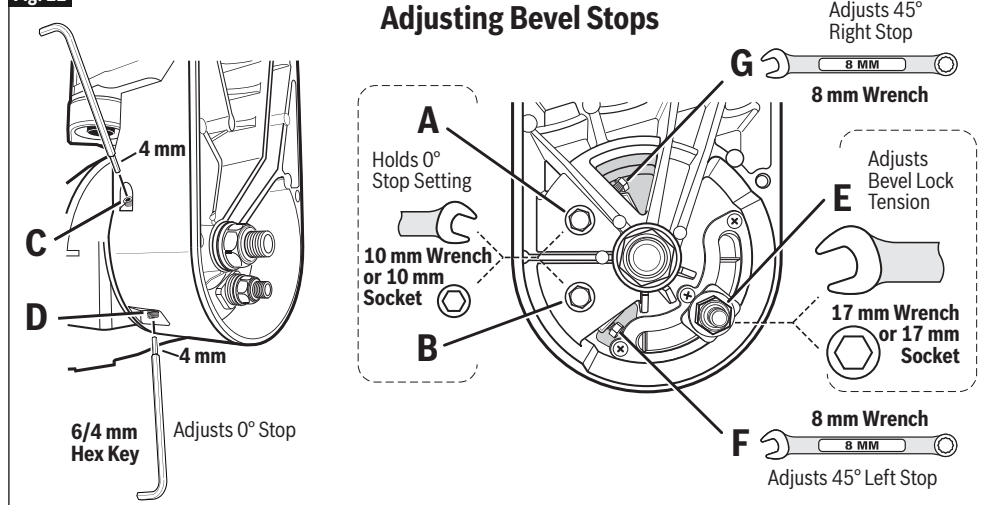
1. Pull up the bevel lock lever to unlock. Move the left sliding fence fully to the left.
2. Tilt the saw assembly to the left (counterclockwise) until it hits the 45° stop.
3. Place only the combination square's head on the saw's table with its long flat side resting on the table and its 45° side against the tilted blade.
4. Place an 8mm open end wrench on bolt "F" (see Fig. 22).
5. While turning bolt "F," watch the blade tilt – turn "F" until the saw blade plate is in full contact with the 45° side of the square's head (see Fig. 21).
6. If needed, adjust bevel scale pointers (item **36** – page 12) to be in line with the bevel scale's 45° lines. First, adjust right bevel pointer; then tilt saw head to the



right 45° stop position (see page 49 – "Bevel Range 2 = 0-45° Right") and adjust the left bevel pointer. Tilt the saw head to the 0° position – both pointers should be on the bevel scale's 0° lines.

7. Push down the bevel lock lever to lock at the desired bevel angle.

Fig. 22



Adjustments

Adjusting Bevel Lock Tension

CHECKING BEVEL LOCK TENSION

1. Pull up the bevel lock lever to release tension. If it feels too hard to pull up, an adjustment may be required.
2. Check the tilt resistance. Grab main handle and slowly tilt the saw to the left. While tilting, some resistance should be felt. At approximately 30°, the resistance should become lower. If little or no resistance is felt, an adjustment may be required.
3. Check bevel lock tension. Push down on the bevel lock lever – normally more pressure is needed at the start; then the lever should go fully down to the lock position with a “thump”.
 - A) If it is too hard to push the lever fully down, then it may require tension adjustment.
 - B) Check locking power: Tilt the saw to about 30° and push down on bevel lock lever. Firmly press on the right side of the saw head - If the saw head tilts more than 1/2° from the locked position, then the bevel lock tension needs adjustment.

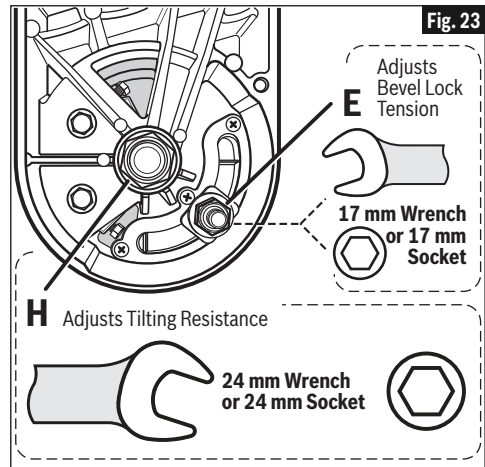
ADJUSTING BEVEL LOCK TENSION

The bevel lock lever tension has been set at the factory. After extensive use of the tool, it may require an adjustment. Before adjusting tension, the tilt resistance should be set.

1. Pull up the bevel lock lever to release tension.
2. **Adjusting Tilt Resistance** (see step 2 above).
 - A) If resistance is too low, slightly tighten (1/16th turn) the large lock nut “H” using a 24mm socket or wrench.
 - B) If resistance is too high, slightly loosen

(1/16th turn) the large lock nut “H” using a 24mm socket or wrench.

3. **Adjusting Tension** (see steps 1 and 3 above) Pull up and push down the bevel lock lever.
 - A) If the lever is too hard to pull or push, the tension can be decreased by using a 17mm socket or wrench to loosen lock nut “E” (1/8th turn). Check again.
 - B) If the lever is too easy to pull or push or if the saw head does not fully lock at a bevel setting, then the tension can be increased by using a 17mm socket or wrench to tighten lock nut “E” (1/8th turn). Check again.



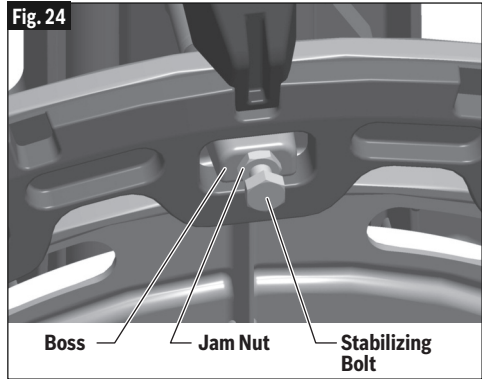
Adjustments

Adjusting Front Stabilizing Bolt

The front stabilizing bolt is located on the bottom of the saw's base near the 0° miter detent slot (Fig. 24). It provides additional support when making slide cuts.

The stabilizing bolt has been factory set. If it is loose or needs adjustment, follow these steps:

1. Move the saw so that you have easy access to the bolt area. Loosen the stabilizing bolt and the jam nut using a 10mm wrench.
2. Place the saw back on your work table. Unscrew the stabilizing nut until it contacts the table.
3. Move the saw again so that you have access to the bolt area. While holding the head of the bolt with a 10mm wrench or pliers, use a 10mm open end wrench to fully tighten the jam nut against the boss in the saw's base.



Transporting and Mounting

⚠ WARNING To avoid possible injury, disconnect battery pack before performing any assembly, adjustments or repairs.

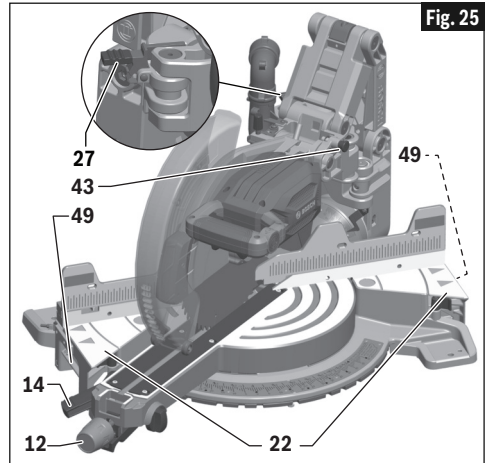
⚠ WARNING To avoid injury, follow all statements identified below by the BULLET (•) symbol.

- **Never lift this saw by grasping the base extensions when they are in the extended position.**
- **Unplug electric cord and wind up.** Use the hook and loop strap to hold the wrapped cord together.
- **Never lift the saw by gripping any of the mechanism parts.** The saw may move and cause severe injuries to your fingers or hands.
- **To avoid back injury, hold the tool close to your body when lifting.** Bend your knees so you can lift with your legs, not your back. Lifting the saw from the back is the preferred method. This will tip the tool toward your body.
- **Never lift tool by holding switch handle.** This may cause serious damage.
- **Never lift the miter saw by the power cord or the operational handle.** Attempting to lift or carry the tool by the power cord will damage the insulation and the wire connections, resulting in electric shock or fire.
- **Place the saw on a firm, level surface where there is plenty of room for handling and properly supporting the workpiece.**

ONLY lift this saw by the cast-in carry handles at each side of the bottom of the base (see Fig. 25).

LIFTING SAW FROM REAR

1. Set bevel angle at 0° and lock in place using the bevel lock lever **14**.
2. Rotate table to the extreme left position and lock in place using miter lock knob **12**.



3. Push saw head back and lock in DOWN position using the head assembly lock pin **43**.
4. Engage mechanism lock lever **27** so the saw is locked in the retracted position.
5. Check that each base table extension **22** is in the closed position and locked in place.
6. Use both hands and reach down to grip each cast-in carry handle **49**. Whenever possible, lift from the back of the saw.

Transporting and Mounting

Mounting Applications

⚠ WARNING Be certain the miter saw is mounted or placed on a level, firm work surface before using. A level and firm work surface reduces the risk of the miter saw becoming unstable.

WORKBENCH PERMANENT ATTACHMENT

1. Each of the four mounting holes should be bolted securely using 5/16" (M8) bolts, lock washers and hex nuts (not included), see Fig. 26.
2. Locate and mark where the saw is to be mounted.
3. Drill four 5/16" (8mm) diameter holes through work-bench.
4. Place the miter saw on the workbench, aligning holes in base with holes drilled in workbench. Install bolts, lock washers and hex nuts.

ALTERNATE ATTACHMENT

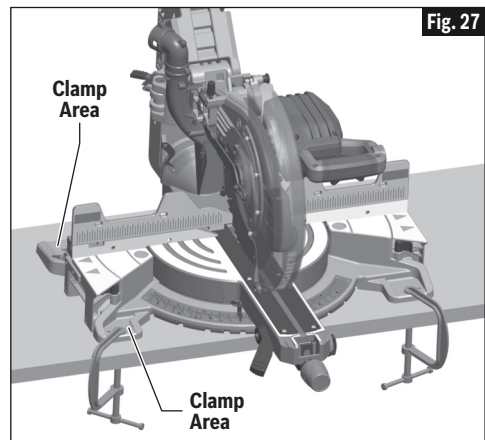
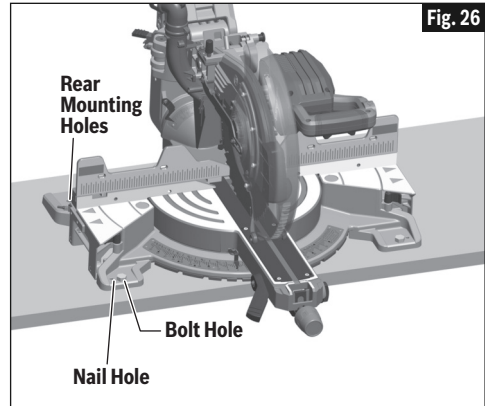
The smaller mounting holes at each corner can be used for nails or longer drywall screws.

The supporting surface where the saw is to be mounted should be examined carefully after mounting to ensure that no movement can occur during use. If any tipping or walking is noted, secure the workbench or stand before operating the miter saw.

⚠ CAUTION Be careful not to over-drive nail or over-torque the bolt. This could crack foot or damage base.

TEMPORARY MOUNTING USING CLAMPS

- If necessary, clamp the miter saw to a workbench or table top.
- Place two or more "C" clamps on the clamping areas and secure (see Fig. 27). There are clamping areas at all four corners of the saw.
- Be careful not to place clamps over the base extension clamping levers (see Fig. 27).
- Mounting with clamps may prevent access to some wide miter angles.



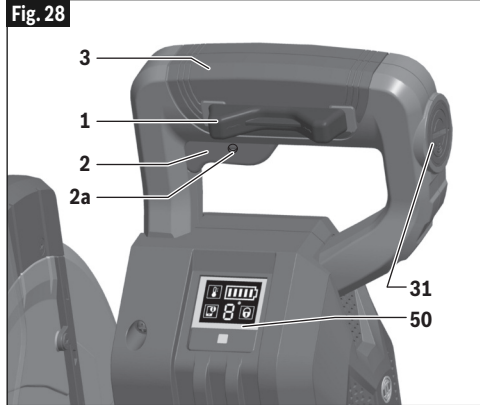
Preparing for Saw Operations

⚠ WARNING To avoid possible injury, disconnect battery pack before performing any assembly, adjustments or repairs.

Switch Activation

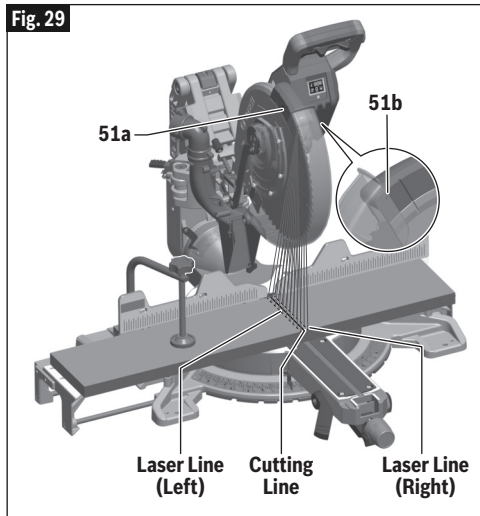
For safety, the switch lever **2** is designed to prevent accidental starts. To operate safety switch, slide the switch “Lock-OFF” release button **1** with either thumb to disengage the lock, then pull the power switch trigger and release the switch “Lock-OFF” release button (Fig. 28). When the power switch trigger is released, the switch “Lock-OFF” release button will engage the power switch trigger automatically, and the lever will no longer operate until either “Lock-Off” release button is engaged again.

NOTE: Padlock hole **2a** can accommodate a padlock with a long shackle of up to 5/16" (8mm) in diameter (not provided with miter saw) to prevent unauthorized use.



Built-in LED Light

Your tool is equipped with a powerful LED light for better visibility when cutting. The light has the ability to turn on when only partially depressing the trigger (Fig. 28). The light will stay on for 30 seconds after the trigger has been released. This allows the cut to be more visible before the saw blade begins to spin.



Laser Line Guide

⚠ CAUTION Laser radiation. Do not expose users of telescopic optics. Class 1M Laser product.

Your tool is equipped with a laser line guide that will turn on when the trigger is partially depressed.

LASER LINE ADJUSTMENT

- Make sure the table is set to 0° miter position and locked. Slide the head assembly all the way to the back. Draw a straight cutting line on the workpiece. Slowly lower the head assembly using the main handle.
- Position the workpiece so that the teeth of the saw blade line up with the cutting line. Hold the workpiece in this position and slowly guide head assembly back up. Clamp the workpiece.
- Turn on the laser beam by depressing

the trigger without pressing the lock-off button (Fig. 28). The laser beam must be aligned with the cutting line on the workpiece along its entire length (Fig. 29).

If adjustment is required, turn the left **51a** and right **51b** set screws with a 2.5mm hex allen wrench until the laser beams are aligned with the cutting line on the workpiece.

One full turn of the set screw counterclockwise moves the laser beam from left to right; one full turn of the set screw clockwise moves the laser beam from right to left.

Preparing for Saw Operations

User Interface (Fig. 30)

The user interface **50** is used to select the preset speed levels and to indicate the status of the power tool and battery.

ECO MODE

When full power is not needed, the saw's energy-saving ECO mode can be used to reduce the saw's output power in order to extend the runtime.

If the ECO mode is active, the speed level/mode indicator **50d** displays the symbol "E" and "ECO" icon **50b** lights up.

SPEED PRESETS

The speed settings and the ECO mode are preprogrammed and can be adjusted via the 'Bosch Toolbox' app. For more information on the 'Bosch Toolbox' application, refer to the "Connectivity" chapter on the next page. The table below describes the preset speeds and ECO mode speed.

	Preset Speeds
Eco	2550 /min
1	3000 /min
2	3500 /min
3	4000 /min

BATTERY CHARGE INDICATOR

When the battery charge indicator **50a** is glowing **green**, the battery is charged and the number of bars shows the level of the charge.

Glowing **yellow** and only one bar indicates that the battery needs to be charged or replaced soon.

Glowing **red** and only one bar means that the battery charge is depleted.

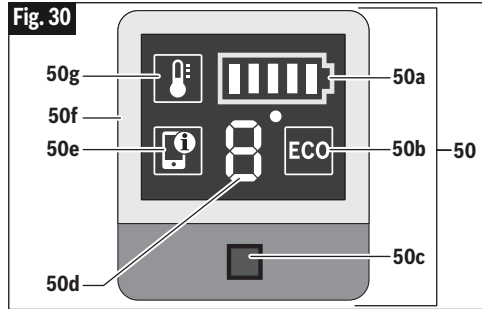
TEMPERATURE INDICATOR

If the temperature indicator **50g** is glowing **yellow**, the critical temperature of the motor, electronics or battery has been reached. Run the power tool at no load and allow it to cool down.

If the temperature indicator is glowing **red**, power tool is overheated and will switch off. Allow the power tool to cool down.

SMARTPHONE STATUS INDICATOR

It is necessary to purchase and install a Bosch connectivity module and install the 'BoschToolbox' app to receive information and messages as alerted by the smart-



phone status indicator. See the Connectivity chapter on the next page.

Green Smartphone status indicator **50e** means that there is non-critical information available in the 'Bosch Toolbox' app for user to read.

Yellow smartphone status indicator **50e** means that there is important information available (e.g. temperature warning).

Red smartphone status indicator **50e** means that there is critical information available. It is recommended that the user reviews the message immediately.

POWER TOOL STATUS FRAME

Green light of the power tool status frame **50f** means everything is functioning properly.

Yellow light means that:

- Critical temperature has been reached (the temperature indicator **50g** is also glowing yellow) - run the tool at no load and allow it to cool down, or
- Battery is almost depleted (the battery charge indicator **50a** is also glowing yellow) - charge or replace the battery soon.

Red light means that:

- The tool is overheated (the temperature indicator **50a** is glowing red) - turn the tool off and on again, or
- Battery is depleted (the battery charge indicator **50a** is also glowing red) - charge or replace the battery.

Flashing blue light means that the power tool is connected to a mobile device or settings are being transferred. The user must press the user interface button **50c** to accept and store the new setting(s).

Preparing for Saw Operations

Connectivity

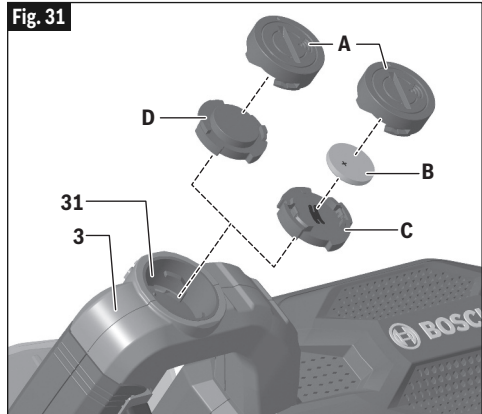
⚠ WARNING To reduce the risk of injury read the operating instructions included with Bosch connectivity module. Operating instructions for connectivity module include important information not covered in this manual.

This power tool is Bluetooth capable and select features can be adjusted remotely using a mobile device. Utilizing these features requires installation of a Bosch Bluetooth connectivity module and a mobile device with the Bosch Toolbox app installed.

If connectivity module is not purchased with the tool, or if the replacement of the module or the battery becomes necessary, please follow this procedure (See Fig. 31):

- Tilt the head assembly to the left to simplify the process.
- Using a flat screwdriver or a coin, remove the cover **A** from the connectivity module compartment **31** located side of the side of handle **3**, by turning it 1/4 turn counter-clockwise.
- If the tool is already equipped with the connectivity module, remove the battery **B**, but do not remove the connectivity module **C**.
- If the connectivity module is installed for the first time, remove the plastic placeholder **D** from the connectivity module compartment, and place the connectivity module **C** in the compartment observing correct orientation. **Note:** Store the placeholder **D** in a safe place. Reinsert the placeholder again if the connectivity module is removed.
- Next place new battery **B** on the top of the connectivity module with the “+” polarity facing up .
- Place the cover **A** over the battery and turn it ¼-turn clockwise to lock using a flat screwdriver or a coin.

Fig. 31



icon/tile. Follow the app directions to pair the tool with the mobile device.

BENEFITS SUMMARY OF CONNECTIVITY MODULE AND APP

When used with the connectivity module, the 'Bosch Toolbox' app will allow for the following with the tool:

- Registration and personalisation
- Status check and warning messages
- General information and settings
- Adjusting the speed levels
- ❓ The help button on the app explains the features of the app.
- ⓘ The info button on the app displays tool information and specifications.
- ⚠ The alerts button displays any alerts received from the tool.

USING THE 'BOSCH TOOLBOX' APP

The 'Bosch Toolbox' app can be downloaded from the App Store or Google Play. Install the 'Bosch Toolbox' app on your mobile device or make sure you are running the latest version of the app.

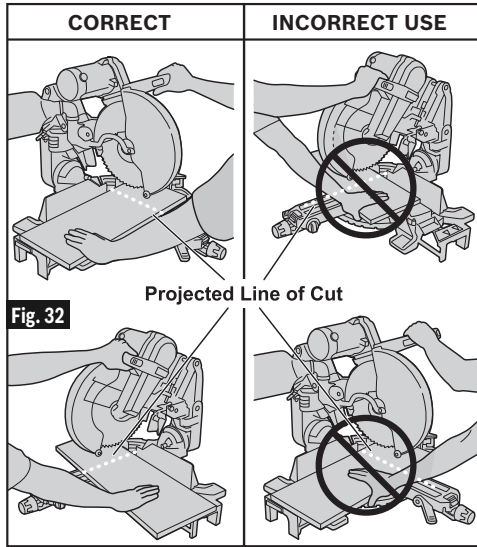
Launch the 'Bosch Toolbox' app on your mobile device and click on "My Tools"

Preparing for Saw Operations

Body and Hand Position

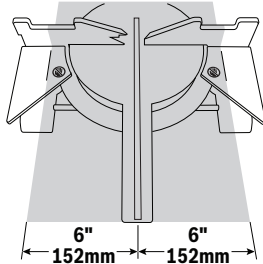
⚠ WARNING Position your body and hands properly to make cutting easier and safer. Failure to follow all instructions, identified below by bullet (•) symbols, may result in serious personal injury (see Fig. 32 below).

- Never place hands near cutting area. Keep hands and arms outside the “NO HANDS” zone.

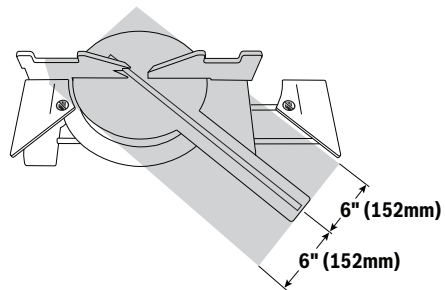


The “No Hands Zone” is an area 6 inches (152mm) wide on left and right side of the blade cutting path. Portion of the Fence in this area also is considered a part of the “No Hands Zone”.

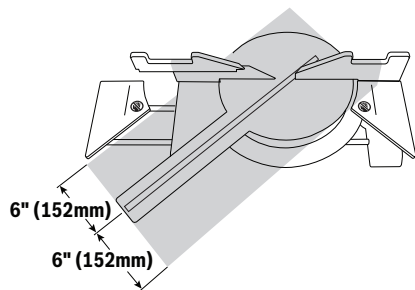
The “No Hands Zone” for zero miter and zero bevel cuts is marked on the tool with lines and “No Hands” symbols.



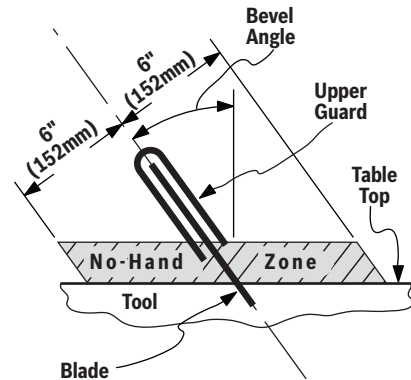
The “No Hands Zone” for all slide and miter right cuts is defined in figure below.



The “No Hands Zone” for all slide and miter left cuts is defined in figure below.



With all bevel cuts the “No Hands Zone” extends vertically up to the bottom of the upper guard when the head assembly is in the lowest cut position.



Preparing for Saw Operations

Use sliding base extensions, sliding fence, and additional workpiece supports (see page 38) to properly support the workpiece and hold or clamp it outside of the “No Hands Zone”.

Workpiece can be held against table and fence by hand only outside of the “No Hands Zone”.

- **Hold workpiece firmly against table and fence to prevent movement.**
- **Keep hands in position until trigger has been released and blade has completely stopped.**
- **Never place hands on mechanism components.**
- **Keep feet firmly on the floor and maintain proper balance.**
- **Follow the miter arm when mitering left or right. Stand slightly to the side of the saw blade.**

⚠ WARNING Be aware of the path of the saw blade. Make a dry run with the saw “OFF” by conducting a simulated cutting cycle, and observe the projected path of the saw blade. Keep hands out of the path of saw blade.

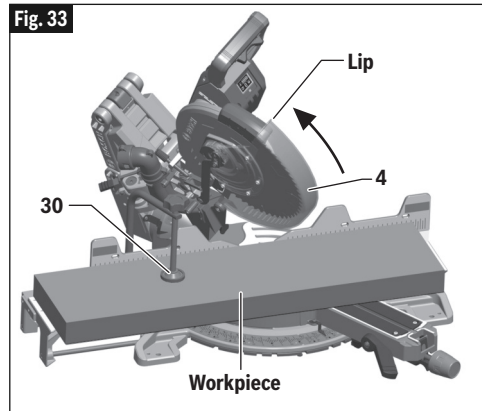
DRY RUN – It is important to know where the blade will intersect with the workpiece during cutting operations. Always perform the simulated cutting sequence with the power tool switched “OFF” to gain an understanding of the projected path of the saw blade. Mentally note where the path of the saw blade will fall and set up your work to keep your hands and arms out of the path of the spinning blade. Adjust your clamps and fences so that the smooth lower guard and cutting action is not interfered with during cutting operation.

⚠ WARNING The lower guard may not automatically open under certain cutting conditions; for example, when trying to cut workpieces that are near the maximum cutting height capacity. Under these conditions or during the blade travel motion of cut, the workpiece can stop the lower guard movement before the downward motion of the arm could pre-open the lower guard.

If this occurs:

Workpiece must be securely clamped with clamp **30**. This frees a hand to raise the guard **4** by the lip just enough to clear the workpiece (see Fig. 33).

Start the saw and begin your cut. Once you have cleared the position where the lower guard may bind, release the guard and it will continue to operate automatically as you cut.



Preparing for Saw Operations

Workpiece Support

CLAMPS

Using the Workpiece Clamp – This clamp **30** easily secures a workpiece to the table or base, see Fig. 34.

1. Insert the clamp's knurled bar down into a clamp post hole; there are two post holes located in the base behind the fence. The knurled end must be in the post at least 1/2" (13mm).
2. Slide the clamp down until its rubber foot contacts the workpiece.
3. Adjust the clamp height so it does not touch the sliding fence.
4. Rotate the clamp's knob until the workpiece is firmly held in place.
5. Move saw head up and down and forward and back to be sure it clears the clamp.

⚠ WARNING There may be extreme compound cuts where clamp cannot be used. Support workpiece with your hand outside the "No Hands" zone. Do not try to cut short pieces that cannot be clamped and cause your hand to be in the "No Hands" zone.

⚠ WARNING Be aware of the path of the saw blade. Make a dry run with the saw Off by conducting a simulated cutting cycle, and observe the projected path of the saw blade. Keep hands at least six (6) inches (152mm) away from the projected path of the saw blade.

Clamps – Other hold-down devices such as C-clamps can be used to hold the workpiece firmly against the table and the fence. Make sure the clamps are clear of the cutting path.

SLIDING FENCES

⚠ WARNING To provide sufficient (minimum 6") spacing from hand to saw blade, extend the sliding fences and sliding base extensions when making extreme bevel, miter, or compound cuts (Fig. 32).

Operating Sliding Fences

1. Loosen the sliding fence lock knob counterclockwise 1/2 turn to loosen fence (see

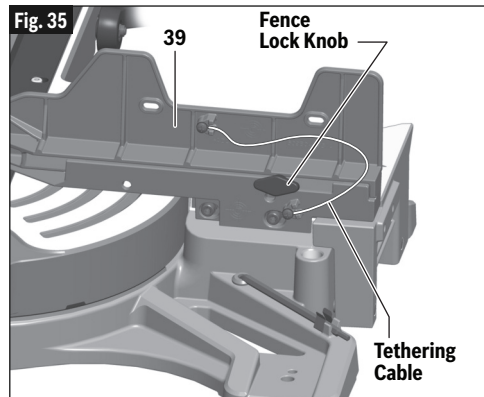
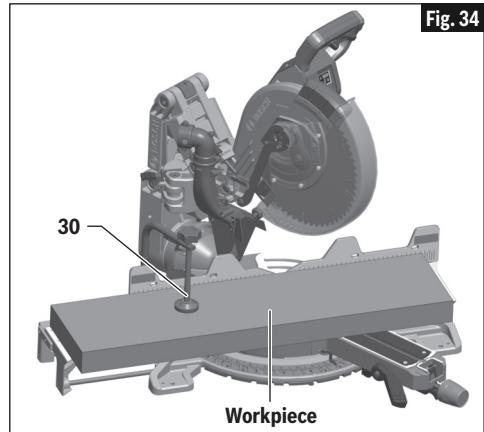


Fig. 35).

2. Slide fence **39** to the desired position.
3. Tighten the lock knob clockwise to lock sliding fence position.

Removing Sliding Fences

The sliding fence may need to be removed when performing extreme bevel cuts and most compound cuts.

1. Loosen the sliding fence lock knob counterclockwise 4 rotations, see Fig. 35.
2. Lift and remove sliding fence.

The tethering cable will help prevent the sliding fence from getting misplaced.

Preparing for Saw Operations

LONG WORKPIECE SUPPORT

⚠ WARNING Long workpieces have a tendency to tip over unless clamped down and properly supported from underneath.

⚠ WARNING Do not use another person as a substitute for a table extension or as additional support. Unstable support for the workpiece can cause the blade to bind or the workpiece to shift during the cutting operation, causing you to contact the spinning blade.

Operating Base Extensions – These extensions provide extra workpiece support and are especially useful when cutting long workpieces. To reposition the extensions **22**, simply unlock the base extension lock levers **21**, reposition the extensions and re-lock the levers (see Fig. 36). The left extension lock lever tightens by rotating clockwise and the right lock lever tightens by rotating counterclockwise.

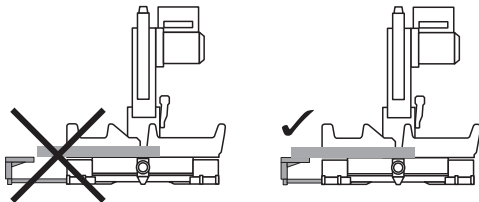
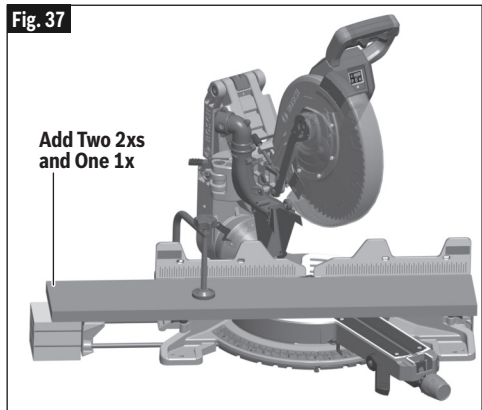
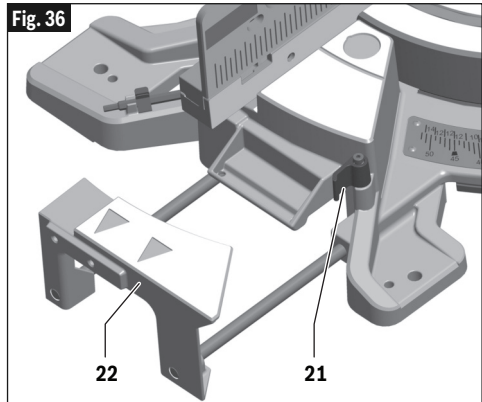
ADDITIONAL WORKPIECE SUPPORT

Blocks – Long pieces need extra support. The base height (3-3/4"/95mm) is designed to match the standard lumber of two 2xs (38mm) and one 1x (19mm). Boards of these thicknesses can be used to create auxiliary support extensions for long workpieces (see Fig. 37).

⚠ WARNING Always ensure that supporting surfaces are able to properly support the workpiece and allow for secure holding by hand outside of the “No Hand Zone”, or clamping with a clamp inside or outside of the “No Hand Zone” – see page 36 for “No Hand Zone” and appropriate hand positions.

⚠ WARNING Always adjust the sliding base extension to support workpiece. Unsupported workpiece can move out of position during cut and cause injury and/or tool damage.

⚠ WARNING Be aware of the path of the saw blade. Make a dry run with the saw Off by conducting a simulated cutting cycle, and observe the projected path of the saw blade. Keep hands at least six (6) inches (152mm) away from the projected path of the saw blade.



Preparing for Saw Operations

MAKING AN AUXILIARY FENCE

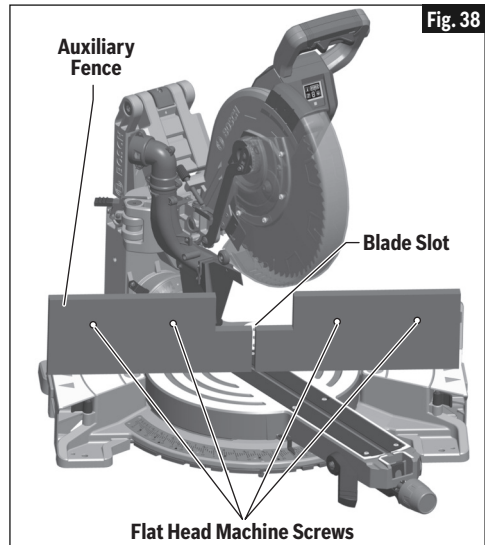
Certain types of molding need a fence face extension because of the size and position of the workpiece. Holes are provided in the fence to attach an auxiliary fence. The auxiliary fence is used with the saw in the 0° bevel position only.

1. Place a piece of wood against the miter saw fence (see Fig. 38). Wood can have a maximum height of 5-1/2" (140mm). Check that auxiliary fence assembly does not interfere with head assembly. See dimension drawing – Fig. 39.

⚠ WARNING Check for interference between auxiliary fence and saw head components by performing a dry run. Fence interference can prevent proper saw operation and cause injury and/or tool damage.

2. Mark the locations of the support holes on the wood from the back side of the fence.
3. Drill and countersink the holes on the front of the support board.
4. Fasten from front of fence: Attach (each) auxiliary fence using two (2) 3/16" (M5) flat head machine screws. With 3/4" (19mm) auxiliary fence, use 1-1/2" (38mm) long screws. Secure behind metal fence with washer and machine nuts.

Fasten from back of fence: With 3/4" (19mm) auxiliary fence, use 1/4" (M6) round head wood screws (3/4"/20mm long). Drill four pilot holes through auxiliary fence and run screws from rear of metal fence.



⚠ WARNING Be aware of the path of the saw blade. Make a dry run with the saw Off by conducting a simulated cutting cycle, and observe the projected path of the saw blade. Keep hands at least six (6) inches (152mm) away from the projected path of the saw blade.

5. Make a full depth cut to create the blade slot. Check for interference between the auxiliary fence and the lower blade guard. Make adjustments as necessary.
6. For best splinter-free cuts, use the chop cut method.
7. When making slide cuts, the center must be notched out per pattern (see Fig. 39).

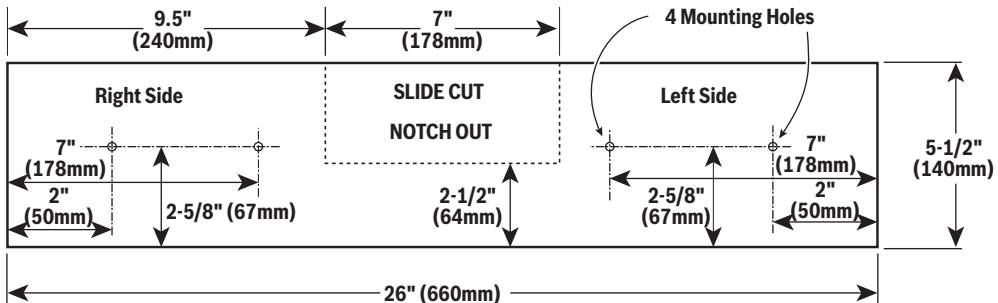


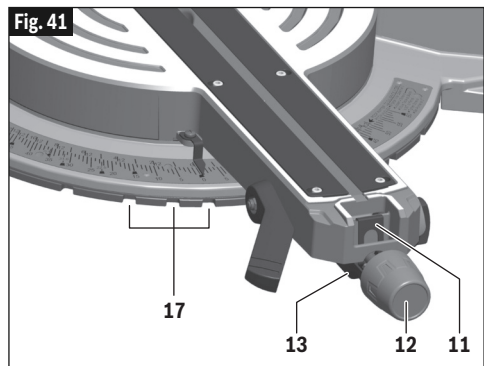
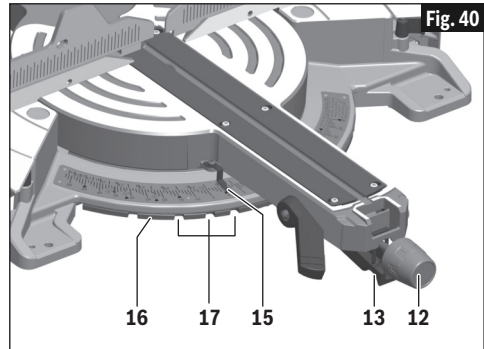
Fig. 39 Auxiliary Wood Fence - 3/4" (19mm) Thick

Saw Operations

Using Miter Detent System

1. Loosen the miter lock knob **12** about 1/2 turn.
2. Grip the lock knob, and then reach down with your index finger to pull up on the miter detent lever **13** – pull lever until it is out from the detent plate.
3. While gripping the lock knob and lever, rotate the saw's table. Stop table rotation at the desired angle as indicated by the miter scale pointer **15**.
4. Release the lever into a detent **17** in the detent plate **16** or at an angle between detents. If close to a detent, use the detent override feature.
5. Tighten the miter lock knob before cutting.

NOTE: It is recommended to tighten the miter lock knob before all cuts. It is required to tighten the knob before cutting at any angle between detents or when the miter detent override system is in use.



Miter Detent Override

The miter detent override feature allows the miter detent action to be locked out, allowing for micro adjustments at any miter angle. When the desired miter angle is too close to a standard mitering angle that has a detent slot, this feature prevents the wedge on the miter detent lever from slipping into the detent slot on the miter detent plate.

1. Lift and hold the miter detent lever **13**.
2. Push the detent override clip **11** forward and latch in place over receiving edge on turntable arm. Release miter detent lever (Fig. 41).
3. Rotate table to any position on the miter scale.
4. Lock the miter lock knob to retain miter position.

To Disengage:

Loosen miter lock knob and lift the miter detent lever to release the detent override clip. The clip should automatically disengage and the table should lock into any desired miter detent.

Saw Operations

Chop Cuts

WHAT'S A CHOP CUT?

- A “chop cut” is a cross-cut made when the saw is held to the rearmost position and is operated like a conventional (non-sliding) miter saw. Using the chop cut method lowers the cross-cutting capacity; however, many users prefer using this method because it is quicker when making repeat cuts. This method can also produce more accurate cuts because the saw head is locked in the retracted position.
- This saw has bevel angle stops that accurately stop at critical angles: 45° Left/Right and 0° Right. It comes factory-set and should not require adjustment. However, after extensive use or if the tool has received a hard impact, it may require an adjustment.
- A chop cut can cut pieces with a width of 5-1/2" (140mm) or less

PREPARING FOR CHOP CUT

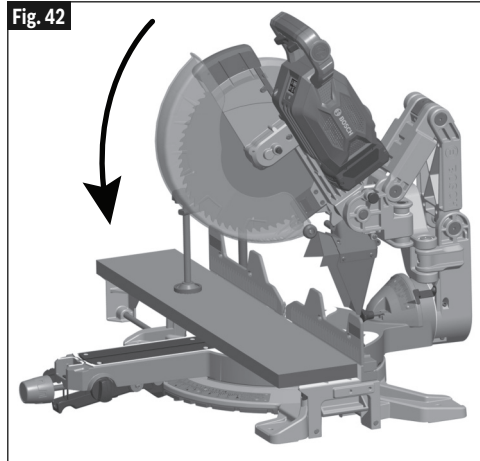
1. With the saw head in the UP position, push it back over the fence to the rear.
2. Engage the mechanism lock lever (item **27** – page 12) by lifting up the finger tab. Check that mechanism movement is stopped.
3. Properly position your workpiece and clamp it firmly to the table and/or fence.

⚠ WARNING Use clamping position that does not interfere with operation. Before switching “ON”, lower head assembly to make sure clamp clears guard and head assembly.

⚠ WARNING Be aware of the path of the saw blade. Make a dry run with the saw Off by conducting a simulated cutting cycle, and observe the projected path of the saw blade. Keep hands at least six (6) inches (152mm) away from the projected path of the saw blade.

MAKING A CHOP CUT

1. Activate the switch, then fully lower the saw head to make the cut.
2. Hold the saw head down until the blade comes to a complete stop. Return the saw head to the UP position. Remove workpiece.



Saw Operations

Slide Cuts

WHAT'S A SLIDE CUT?

- A "slide cut" is made with the head assembly unlocked and able to move away from the fence. This movement is supported and precisely controlled by the axial glide system. The maximum cross-cutting capacity is utilized by using this method.
- A slide cut is best used for cross-cutting workpieces wider than can be done with a chop cut – pieces wider than 5-1/2" (140mm) and up to a maximum width of 13-3/8" (340mm) across.

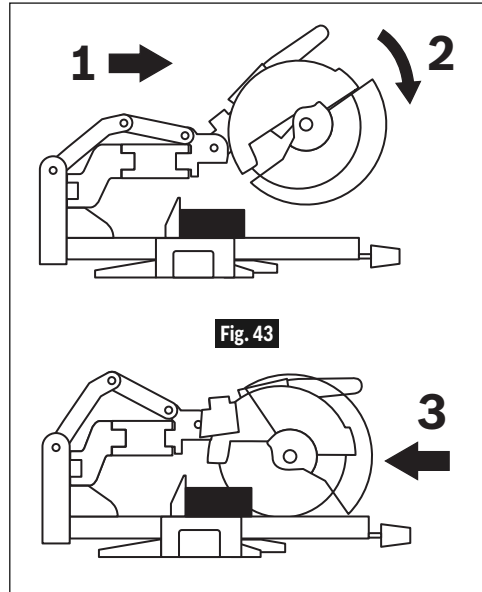
⚠ WARNING NEVER pull the saw toward you during a cut. The blade can suddenly climb up on top of the workpiece and force itself toward you.

PREPARING FOR SLIDE CUT

1. Place the saw head in the UP position.
2. Disengage the mechanism lock lever (item 27 – page 12) by pushing down on the finger tab. With the head assembly in the UP position, move it fully to the front and back to check that axial glide system moves smoothly.
3. Properly position your workpiece and clamp it firmly to the table and/or fence.

⚠ WARNING Use a clamping position that does not interfere with operation. Before switching "ON", lower head assembly to make sure clamp clears guard and head assembly.

⚠ WARNING Be aware of the path of the saw blade. Make a dry run with the saw Off by conducting a simulated cutting cycle, and observe the projected path of the saw blade. Keep hands at least six (6) inches (152 mm) away from the projected path of the saw blade.



MAKING A SLIDE CUT

1. Grasp the switch handle and pull the saw head assembly (in UP position) away from the fence – see Arrow 1 in Fig. 43.
2. Activate the switch, and then fully lower the saw head assembly – on larger pieces, this action may also start the cut – see Arrow 2 in Fig. 43.
3. Push down and back so the saw head assembly moves toward the fence and to the full rear position until you complete the cut. See Arrow 3 in Fig. 43. NOTE: If high resistance is felt, do not apply excessive force – stop cutting, wait until blade stops and investigate problem.
4. Hold the saw head down until the blade comes to a complete stop. Return the saw head to the UP position and remove the workpiece.

Saw Operations

Miter Cuts

WHAT'S A MITER CUT?

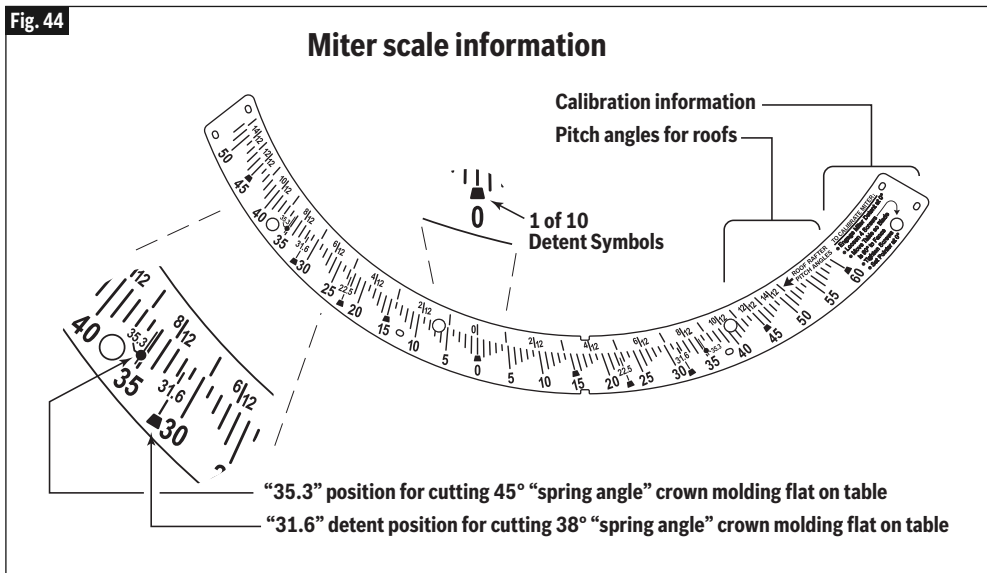
- A “miter cut” is a cross-cut made with the blade perpendicular to the horizontal table. The blade is not tilted and the bevel pointers are both on the 0° lines.
- Miter cuts can be made at any angle across a workpiece within this saw’s range, from 52° left to 60° right.
- The miter scale shows the angle of the blade relative to the saw’s fence. The miter pointer is attached to the turntable and indicates the saw’s miter position before the cut is made.
- Ten positive detents are provided for fast and accurate preset miter angles – locations are at 45°, 31.6°, 22.5°, 15° left and right, and center at 0°. The right side has an additional detent of 60°.
- The crown molding detents on the left and right are at 31.6° for compound cutting 38° “spring angle” crown molding lying flat on the table (see Cutting Crown Molding on page 53).

- For precision settings at miter angles very close to the miter detents, use the miter detent override to prevent the detent from automatically engaging the detent slot. See detent override instructions on page 41.
- A miter cut can be made either as a chop cut or slide cut, depending on the width of the workpiece.
- The kerf inserts should be adjusted to be as close to the blade as possible to reduce splintering (see kerf insert instructions on page 25).

READING THE MITER SCALE

The miter scale used on this saw includes several scales of information to help the user accurately preset this saw before making the cuts (see Fig. 44).

Fig. 44

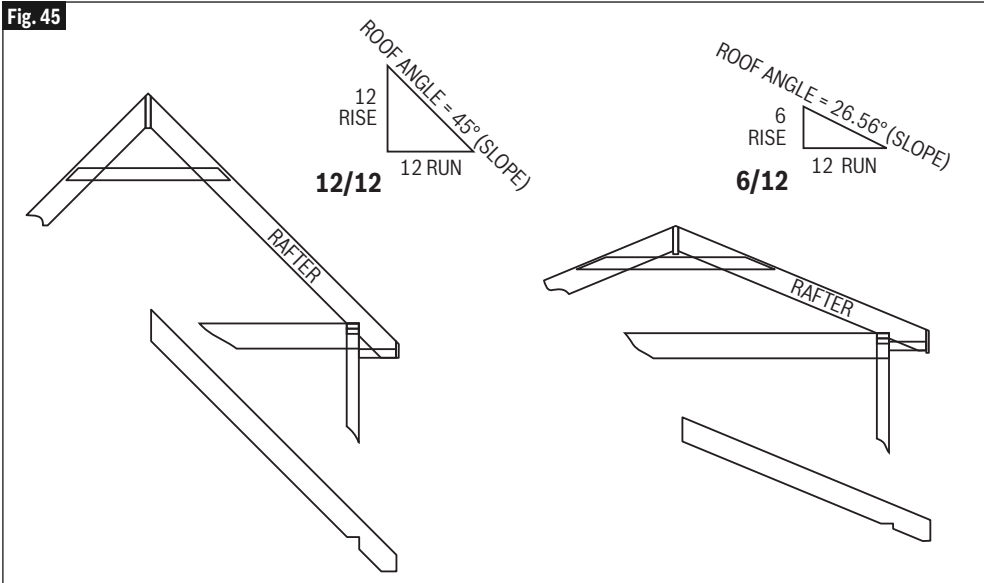


Saw Operations

Pitch angle information – The top section of the miter scale shows angle settings required to cut roof rafters to the “Pitch Angle” system. 2/2, 4/12, 6/12, etc., are all

pitch angles. This system is based on using the English “inches.” A 6/12 pitch angle roof equals a ratio of 6” “rise” for every 12” “run” (see Fig. 45).

Fig. 45



Crown molding information – There are miter position settings for compound-cutting crown molding flat on the table. Crown molding with 38° “spring angle” uses the 31.6 setting (with detent) and crown mold-

ing with 45° “spring angle” uses the 35.3 setting. NOTE: This cutting method also requires that specific bevel angles are set – see Cutting Crown Molding on page 53.

Saw Operations

Miter cutting 6-3/4" (171mm) base boards

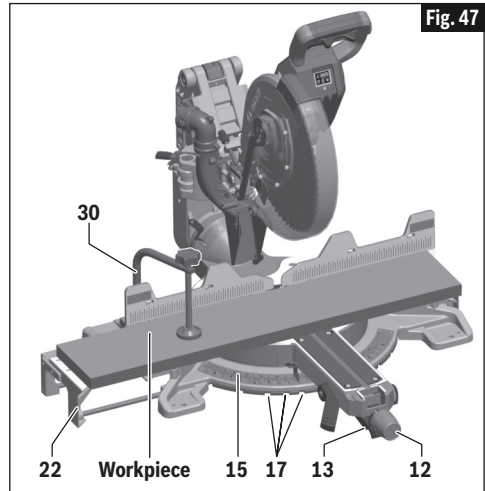
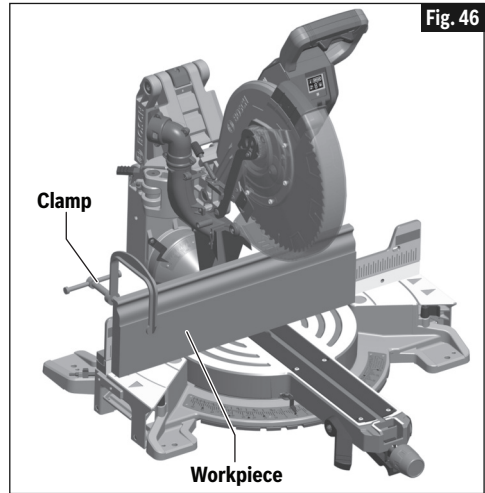
– This saw can miter cut 6-3/4" (171mm) tall base boards vertically positioned against the fence at any angle from 0° to 52°. All angled cuts must be made with the base board placed on the left side of the table. For certain cuts, the base board will have to be flipped upside down or placed with the face side against the fence. Always use a C-clamp to hold the base board to the fence before making cuts. NOTE: For cutting standard base board up to 3-7/8" (100mm) tall, no special placement is required and it can be miter cut at any angle left or right.

SETTING SAW TO MAKE A MITER CUT

1. See Using Miter Detent on page 41.
2. Loosen the miter lock knob **12**. Lift miter detent lever **13** and move the saw to the desired angle, using either the detents **17** or the miter scale **15**. Tighten miter lock knob (see Fig. 47).
3. Extend the base extensions **22** and fence on the side on which the cut will be made (see Workpiece Support on page 38).
4. Properly position workpiece. Make sure workpiece is clamped firmly against the table or the fence.

⚠ WARNING Use a clamping position that does not interfere with operation. Before switching "ON" saw, lower saw head to make sure the clamp clears guard and head assembly.

5. Follow procedures for either chop cut or slide cut (see pages 42–43).
6. Wait until saw blade comes to a complete stop before returning head to the raised position and then remove workpiece.



Saw Operations

Bevel Cuts

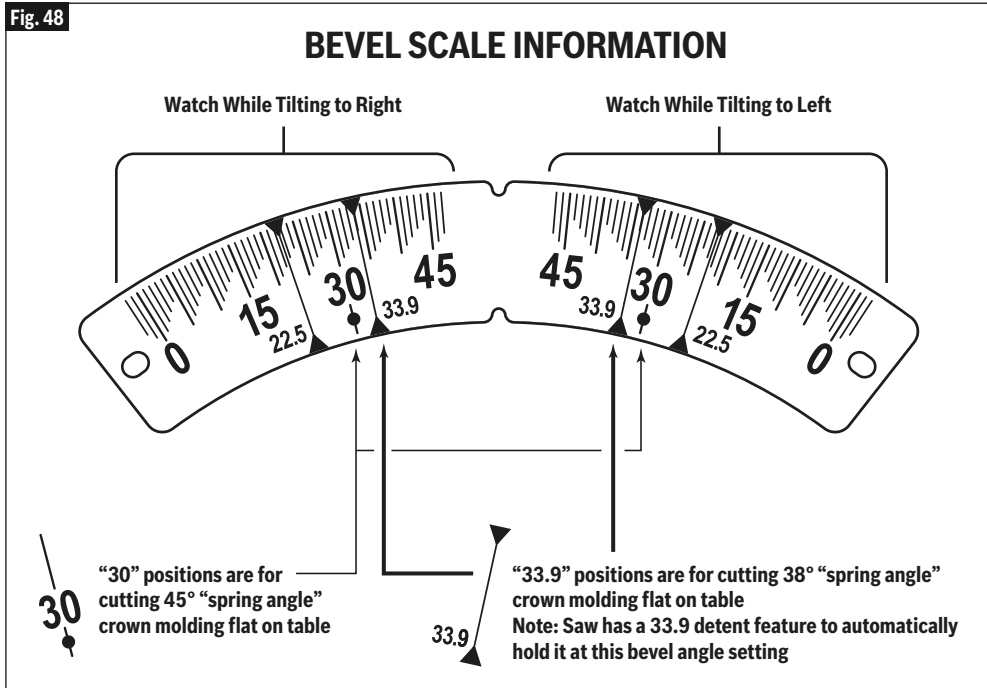
WHAT'S A BEVEL CUT?

- A "bevel cut" is a cross-cut made with the blade perpendicular to the fence and with the table set at 0° miter. The blade can be tilted to any angle within the saw's range: the left is 0 to 47° and the right is 0 to 47°.

- The bevel scale is sized and positioned for easy reading – see Fig. 48.

Note: when performing right and left bevel cuts it is necessary to move the sliding fence away from the blade to avoid cutting into the fence. When compound cutting on the right it will be necessary to remove the right siding fence – see page 38.

Fig. 48



Saw Operations

Bevel range selector knob – This saw has a front control on the right side of the table arm. This is called the bevel range selector knob **41**. It is linked to stops and locking mechanisms in the rear which control the tool's ability to quickly and accurately be positioned to make bevel cuts. There are positive stops at the important 45° left, 0° (vertical), and 45° right angles (see Fig. 49).

USING THE BEVEL RANGE SELECTOR KNOB

Bevel Range 1 = 0-45° Left

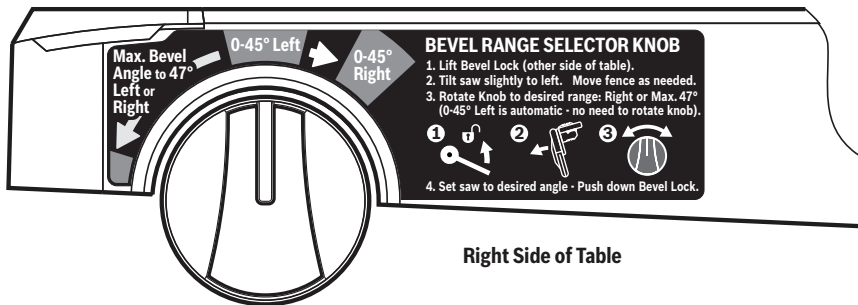
This left-side bevel range is the default setting.

To operate in Bevel Range 1:

1. Move the left sliding fence out to clear saw assembly and relock (Fig. 51).
2. Lift bevel lock lever above table height with left hand.
3. Grasp the main handle with the right hand and tilt the saw assembly to the angle desired.
4. Once in the desired bevel position, hold the saw assembly with right hand and use left hand to fully press down the bevel lock lever below table height.

NOTE: Without turning the saw "ON", perform a dry cut to make sure the fence clears the guards and adjust if necessary.

Fig. 49



Saw Operations

Bevel Range 2 = 0-45° Right

To operate in Bevel Range 2:

1. Move the right sliding fence out to clear saw assembly and relock (see Fig. 51).
2. Lift bevel lock lever above table height with the left hand.
3. Grasp the main handle with the left hand and tilt the saw assembly slightly to the left while rotating the spring-loaded bevel range selector knob with the right hand so the knob's indicator points to "0-45° Right" as on the label.
4. Once in the desired bevel position, hold the saw assembly with right hand and use left hand to fully press down the bevel lock lever below table height.

NOTE: When the saw assembly is tilted back to left past 0°, the bevel control knob will snap back to the default bevel range 1. This is designed to regain the preset bevel stop at the important 0° position.

Bevel Range 3 = Max. Bevel Angle to 47° Left or Right

This full-capacity bevel range setting overrides all preset stops and allows for cutting at bevel angles beyond the normal 45° on either side.

To operate in Bevel Range 3:

1. Move the left and right sliding fences out to clear saw assembly and relock (see Fig. 51).
2. Lift bevel lock lever above table height with the left hand.
3. Grasp the main handle with the left hand and tilt the saw assembly slightly to the left while rotating the spring-loaded bevel range selector knob with the right hand so the knob's indicator points to the red square below "Max. Bevel Angle to 47° Left or Right."
4. Once in needed bevel position, hold saw head by the right hand and use left hand to press down the bevel lock lever below table height.

NOTE: The selector knob will stay in this "override" position. Turn the knob slightly clockwise and it will snap back to bevel range 1 (default position).

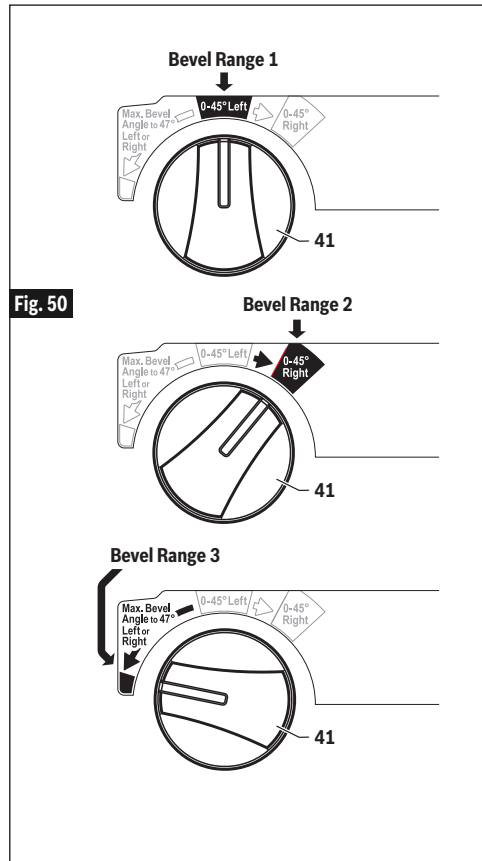


Fig. 50

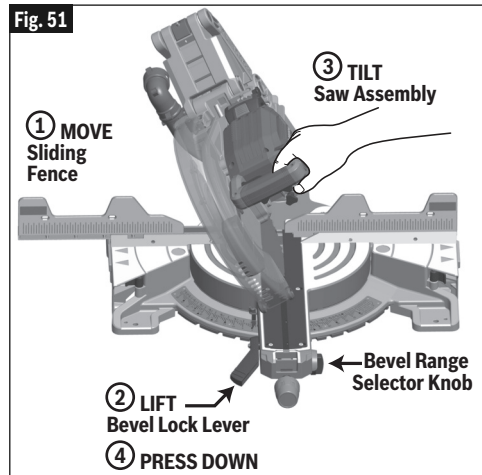


Fig. 51

Saw Operations

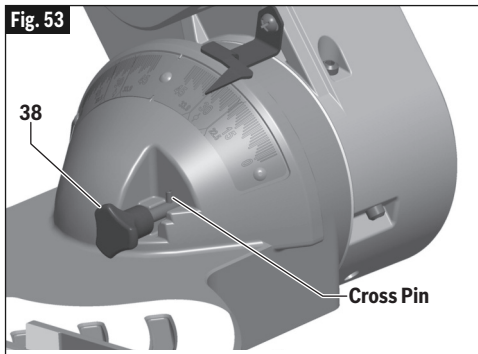
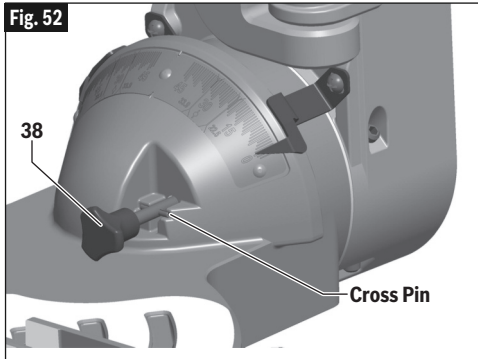
⚠ WARNING For bevel cutting, adjust sliding fence clear of blade path and guard system.

BEVEL ANGLE STOPS AND DETENTS

- The saw has bevel angle stops that accurately stop at critical angles: 45° left, 0°, and 45°. It comes factory-set and should not need to be adjusted. However, after extensive use or if the tool has received a hard impact, it may require an adjustment.
- The saw has a bevel angle detent pin **38** which can only be engaged at 33.9° left or right - this is the bevel angle required when cutting 38° “spring angle” crown molding flat on the table. NOTE: If the bevel detent pin automatically engages at 33.9° and prevents tilting the saw to another angle, simply pull it to the front and rotate its cross pin 1/4 turn so it rests in the disengaged position. If pin is sticking in, tilt and rock saw head side to side as you pull on it (see Fig. 52).

SETTING SAW TO MAKE A BEVEL CUT

1. Lift up the bevel lock lever to unlock (see item **14** – page 12).
2. Choose the desired bevel range using the bevel range selector knob. NOTE: If in the 0° position and moving to “0-45° Range,” it may be necessary to move the head assembly slightly to the left before the selector knob can be turned.
3. Grasp the main handle and tilt the saw head assembly to the desired angle while watching one of the bevel angle pointers – watch the right pointer when tilting to the left or the left pointer when tilting to the right.
4. Continue to hold saw and push down on the bevel lock lever (with your left hand) to lock. Let go of tool.
5. Follow the chop cut or slide cut procedures in this manual.



Saw Operations

Compound Cuts

⚠ WARNING For compound cutting, adjust sliding fence clear of blade path and guard system.

⚠ WARNING Before sawing, always check that there is no interference between moving and stationary parts of the saw. Do not operate the saw in the following range of miter and bevel combinations: Left Bevel 45° to 47° PLUS Right Miter 40° to 42°. These miter and bevel combinations may result in interference between the sliding and stationary parts of the saw or between the sliding parts and the work piece.

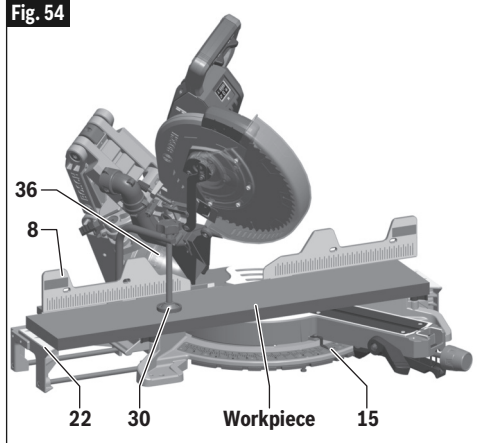
WHAT'S A COMPOUND CUT?

- A “compound cut” is a single cross-cut made with the saw blade preset at two angles combining a miter angle (relative to the vertical fence) with a bevel angle (relative to the horizontal table).
- Miter angles will be with the table rotated away from 0° and within this saw’s range from 52° left to 60° right.
- A bevel angle is when the blade is tilted away from 0°. This saw’s range is from 47° left to 47° right. NOTE: If the bevel detent pin automatically engages at 31.6° and prevents tilting the saw to another angle, simply pull it to the front and rotate its cross pin 1/4 turn so it rests in the disengaged position. If pin is sticking in, tilt and rock saw head side to side as you pull on it.
- A compound cut can be made as a chop cut or a slide cut.

Follow these instructions for making your compound cut:

1. Extend the base extensions **22** and fence **8**. (See Sliding Fences and Base Extensions on page 38 and 39).
2. Properly position workpiece. Make sure workpiece is clamped firmly against the table or the fence (Fig. 54).

Fig. 54



⚠ WARNING Use clamping position that does not interfere with operation. Before switching on, lower head assembly to make sure clamp clears guard and head assembly.

⚠ WARNING Be aware of the path of the saw blade. Make a dry run with the saw Off by conducting a simulated cutting cycle, and observe the projected path of the saw blade. Keep hands at least six (6) inches (152mm) away from the projected path of the saw blade.

3. Set miter **15** and bevel **36** angles according to the instructions on page 44 – 47 for miter and bevel cuts.
4. Follow the procedures for chop cut or slide cut.
5. Wait until blade comes to a complete stop before returning head assembly to the raised position and/or removing workpiece.

Cutting crown molding flat on the table requires compound cuts. See cutting crown molding section on page 53.

Saw Operations

Cutting Grooves

The depth stop adjustment is a feature used when cutting grooves in the workpiece.

The depth adjustment is used to limit blade depth to cut grooves.

NOTE: Read and understand all instructions on page 22 in the “Adjustments” section on “Setting Blade Depth for Non-Through Cuts for Cutting Grooves.”

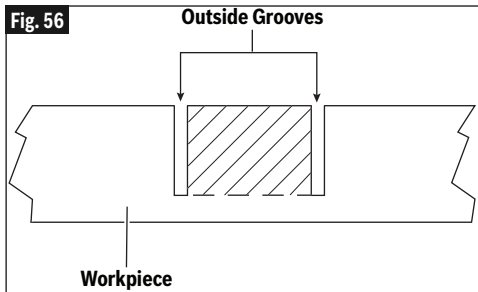
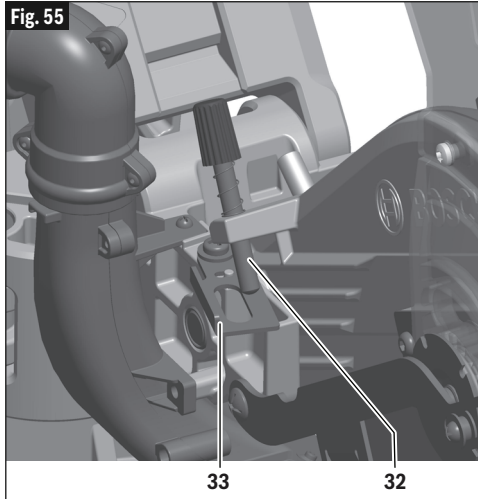
NOTE: For best results, Bosch recommends the use of a table saw with an optional dado blade set for cutting grooves and non-through cuts. In the event this is not available, the feature described below is a convenient alternative.

A groove should be cut as a slide cut.

1. For adjustment of groove depth, pull out depth stop plate **33** and rotate depth stop screw **32** (Fig. 55). Rotating the depth stop screw clockwise will raise saw blade and rotating the screw counterclockwise will lower the blade.
2. For minor adjustments, simply rotate the depth stop screw to the desired location.

⚠ WARNING Be aware of the path of the saw blade. Make a dry run with the saw Off by conducting a simulated cutting cycle, and observe the projected path of the saw blade. Keep hands at least six (6) inches (152mm) away from the projected path of the saw blade.

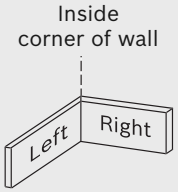
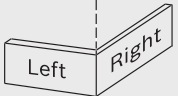
3. Cut the two outside grooves first.
4. After cutting a groove, shut saw “OFF” and wait for blade to stop.
5. To remove material between cuts, move the workpiece to the right or left. The saw must come to a complete stop before moving workpiece.



Saw Operations

Cutting Base Molding

- Base molding can be cut vertical against fence or flat on the table. The maximum size that can be vertical on the fence is 6-3/4" (171mm), flat on table is 13-1/2" (343mm).
- Follow the table for helpful hints on cutting base molding for corners that have 90° angles.
- Cutting base molding can be done either as a chop cut or a slide cut depending on the size of the workpiece.

BASE MOLDING CUTTING INSTRUCTIONS					
LOCATION OF MOLDING ON SAW →		Molding in Vertical Position: Back of molding is against the fence		Molding in Horizontal Position: Back of molding is flat on the table	
Bevel Angle →		Bevel = 0°		Bevel = 45°	
Molding piece being cut →		To left of corner	To right of corner	To left of corner	To right of corner
 Inside corner of wall	Miter Angle	Left at 45°	Right at 45°	0°	0°
	Position of molding on saw	Bottom against table	Bottom against table	Top against fence	Bottom against fence
	Finished side	Keep left side of cut	Keep right side of cut	Keep left side of cut	Keep left side of cut
 Outside corner of wall	Miter Angle	Right at 45°	Left at 45°	0°	0°
	Position of molding on saw	Bottom against table	Bottom against table	Bottom against fence	Top against fence
	Finished side	Keep left side of cut	Keep right side of cut	Keep right side of cut	Keep right side of cut

Cutting Crown Molding

Crown molding cuts must be positioned properly to fit exactly.

There are two ways to cut crown molding: flat on table or angled to table and fence.

Crown molding's "spring angle" is the angle between the back of the molding and the bottom flat surface that fits against the wall.

This miter saw has special miter detents at 31.6° and bevel detents at 33.9°. These detents allow you to easily position most crown molding flat on the table and make precise cuts for 90° corners. NOTE: These detents cannot be used with 45° crown molding. These detents are only for use

with crown molding that has a 38° "spring angle."

See also page 56 for miter and bevel angle charts for cutting crown molding that has 38° and 45° spring angles. Each chart lists the exact miter and bevel settings required for a wide range of corner angles.

Even though these angles are standards, most rooms do not have angles of exactly 90°; therefore, you will need to fine-tune your settings.

The optional Bosch GAM 220 MF and GAM 270 MFL Digital Anglefinder/Protractors measure spring angles and corner angles, then automatically determine the exact miter and bevel settings necessary to make each crown molding cut fit perfectly.

Saw Operations

CROWN MOLDING ANGLED TO TABLE AND FENCE

The preferred method for cutting crown molding with this saw is with the molding lying flat on the table.

The advantage to cutting molding angled against fence is that no bevel setting is required. Only the miter angle is adjusted.

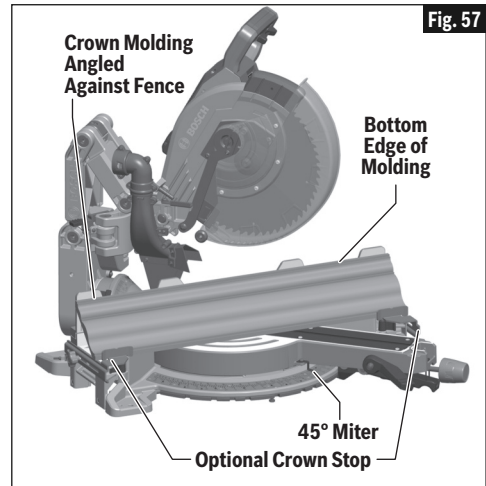
The maximum crown molding width that can be cut and angled to table and fence is 6-1/2" (165mm).

When cutting crown molding in this fashion it is recommended to purchase and use the optional Crown Stop Set (see page 63).

Follow these instructions for cutting crown molding angled to table and fence.

1. Position the molding so the bottom (decorative part, which is installed against the wall) is against the fence.
2. For 90° corner, set the miter angle using chart below. Tighten the miter lock knob.
3. Support crown molding against the fence (see "Body and Hand Position" on page 36.)

⚠ WARNING Be aware of the path of the saw blade. Make a dry run with the saw Off by conducting a simulated cutting cycle, and observe the projected path of the saw blade. Keep hands at least six (6) inches (152mm)



away from the projected path of the saw blade.

4. Follow the procedures for chop or slide cut (see pages 42–43).
5. Wait until blade comes to a complete stop before returning head assembly to the raised position and/or removing workpiece.

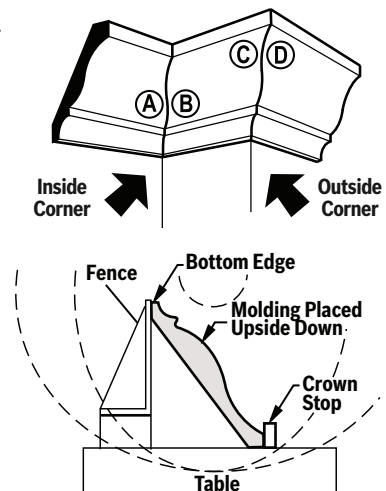
NOTE: Always take a test cut using scrap to confirm correct angles.

Miter and Bevel Settings for Standard Crown Molding Cuts

(When Workpiece Angled Against Fence)

Assumptions: Molding is milled consistently. Corner is 90°. For other corner angles, divide actual measurement by 2.

Any Crown Molding Up To 6" (152mm)		
Note: Always place bottom edge against fence	Miter (Table) Setting	Bevel (Tilt) Setting
Inside Corner - Left end (A) Use the left end of the cut	45° Right	0° Left
Right end (B) Use the right end of the cut	45° Left	0° Right
Outside Corner - Left end (C) Use the left end of the cut	45° Left	0° Right
Right end (D) Use the right end of the cut	45° Right	0° Left



Saw Operations

CROWN MOLDING LYING FLAT ON TABLE

NOTE: Position workpiece with its back flat on the saw table.

Always place top edge of molding against fence (decorative edge is at the bottom of crown molding.)

“Spring angle” refers to angle between wall and crown molding.

Cutting crown molding flat on the table can be done either as a chop cut or a slide cut depending on the width of the workpiece.

Refer to special auxiliary fence for narrow cutoffs when cutting crown flat on table (see page 57).

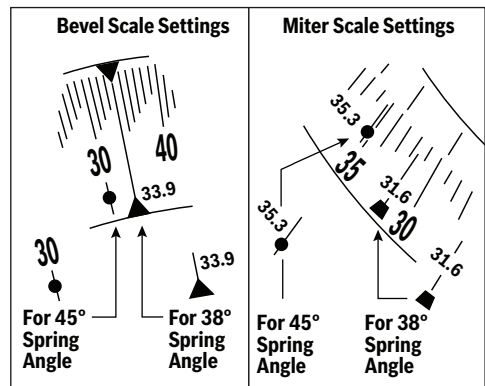
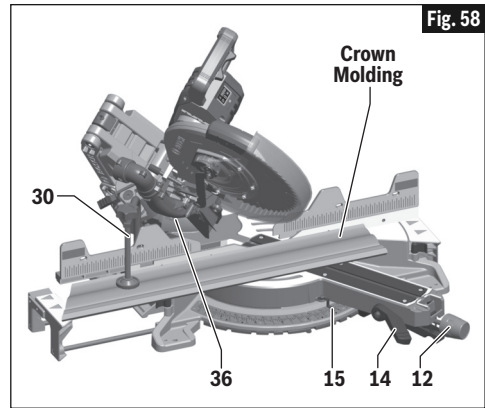
1. For 90° corner, set the bevel **36** and miter **15** angles using charts below. Tighten the miter lock knob **12** and the bevel lock lever **14**.
2. Position molding on saw table. Clamp workpiece in place using the quick clamp **30**.

⚠ WARNING Use clamping position that does not interfere with operation. Before switching “ON”, lower head assembly to make sure clamp clears guard and head assembly.

⚠ WARNING Be aware of the path of the saw blade. Make a dry run with the saw Off by conducting a simulated cutting cycle, and observe the projected path of the saw blade. Keep hands at least six (6) inches (152mm) away from the projected path of the saw blade.

3. Follow procedures for either chop cut or slide cut (see pages 42–43).
4. Wait until blade comes to a complete stop before returning head assembly to the raised position and/or removing workpiece.

NOTE: Always take a test cut using scrap to confirm correct angles.

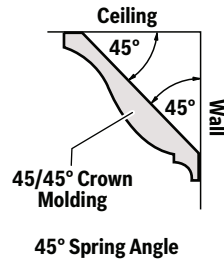
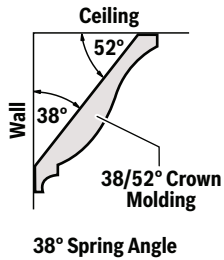
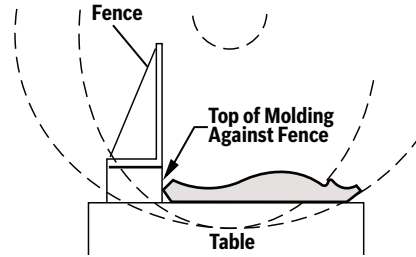
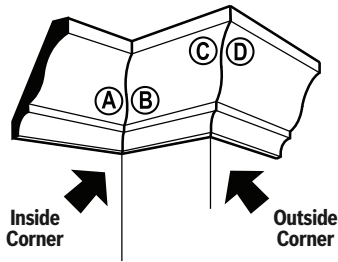


Saw Operations

Miter and Bevel Settings for Standard Crown Molding Cuts (With Molding Flat on Table)

Assumptions: Molding is milled consistently. Corner is exactly 90°.

	Molding Spring Angle 38°		Molding Spring Angle 45°	
Note: Always place top edge against fence	Miter (Table) Setting	Bevel (Tilt) Setting	Miter (Table) Setting	Bevel (Tilt) Setting
Inside Corner - Left end (A) Use the left end of the cut	31.6° Right	33.9° Left	35.3° Right	30° Left
Right end (B) Use the right end of the cut	31.6° Left	33.9° Right	35.3° Left	30° Right
Outside Corner - Left end (C) Use the left end of the cut	31.6° Left	33.9° Right	35.3° Left	30° Right
Right end (D) Use the right end of the cut	31.6° Right	33.9° Left	35.3° Right	30° Left



Saw Operations

Crown Molding Auxiliary Fence

⚠ WARNING When making a compound cut on a molding lying flat on the table, narrow cut-off pieces (2" [50mm] or less in width) may be propelled at high speed over the fence and beyond the back of the tool (see Fig. 59). Use auxiliary fence as instructed and shown in figures below.

An auxiliary fence is used to add support to the cut-off workpiece such as large crown molding when cut flat on the table (see Fig. 60). It will reduce splintering and movement of the unsupported cut-off piece of wood after the cut is made.

MAKING AN AUXILIARY FENCE:

Required pieces:

Wood Board (described below)

4 – Flat Head Machine Screws – 1/4" di-

ameter (M6); 2-1/2" (65mm) long

4 – 1/4" (M6) Flat Washers

4 – Nuts

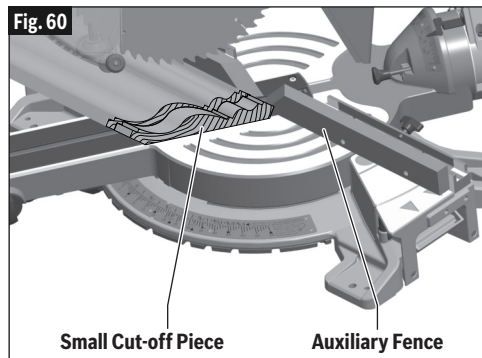
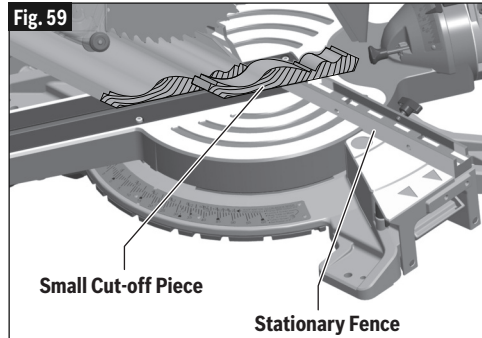
1. Cut a nominal 1" x 2" wood board to a length of 26-1/16" (662mm) long. NOTE: 1" x 2" nominal equals 3/4" x 1-1/2" (19x38mm) actual. 3/4" (19mm) plywood cut to size may be substituted.
2. Drill four holes through the board using a 5/16" (8mm) diameter drill bit. Countersink the holes deep enough so that the flat head screws will rest below the front work surface – use a 1/2" (13mm) diameter drill bit (see Fig. 61).

Remove the sliding fences from the tool – see page 38.

1. Place the flat head screws through the holes in the auxiliary fence, then the holes in the stationary fence on the tool.
2. Place the washers and nuts over the screw threads and against the stationary fence. Tighten nuts.

FIRST-TIME USE OF THE AUXILIARY FENCE:

NOTE: The first time the auxiliary fence is used, it will be cut through by the saw blade – cutting through creates minimal clearance which reduces splintering on the workpiece. Set the miter angle and the bevel angle required before making the first



cut.

⚠ WARNING Be aware of the path of the saw blade. Make a dry run with the saw Off by conducting a simulated cutting cycle, and observe the projected path of the saw blade. Keep hands at least six (6) inches (152mm) away from the projected path of the saw blade.

Clamp the workpiece, then make cut – example: compound cutting large crown molding flat on the table (see Fig. 58).

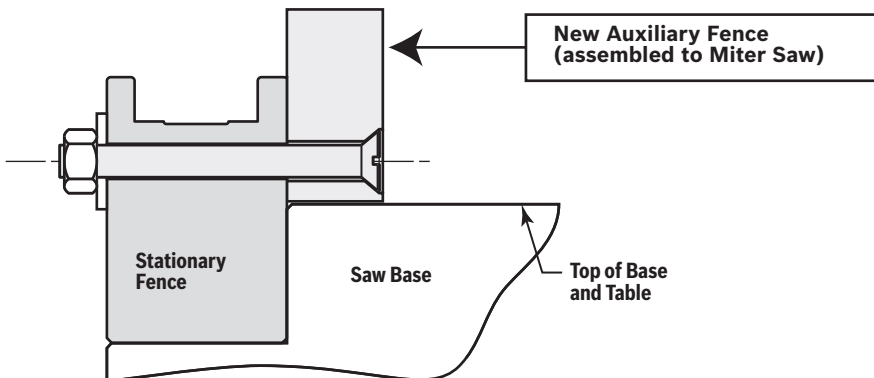
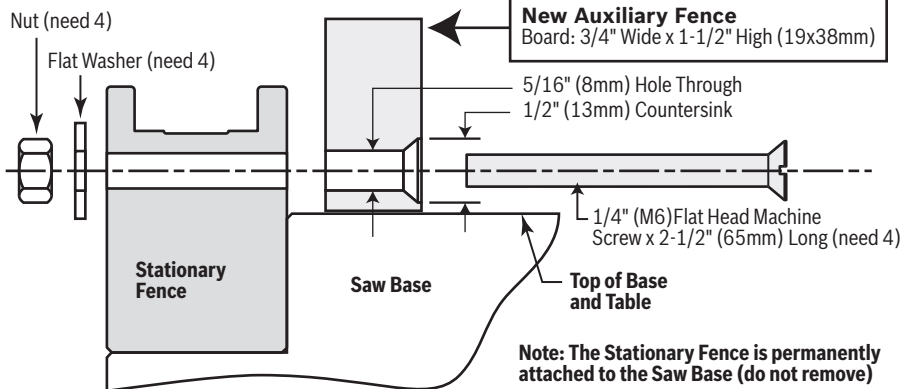
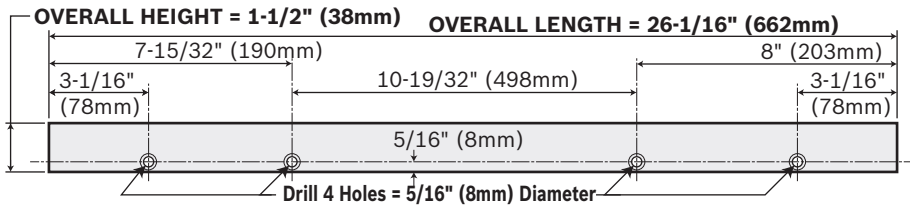
Saw Operations

Auxiliary Fence – Using an Auxiliary Fence when cutting Crown molding flat on the table will reduce splintering of your workpiece and movement of small cut-off pieces. Remove the saw's sliding fences (see page 38) before attaching the auxiliary fence.

Build auxiliary fence by following pattern below – Material: 3/4" x 1-1/2" (19x38mm) wood.

Add 4 holes as dimensioned on pattern - or- Add holes following the next steps:

1. Cut wood to the outside dimensions shown and temporarily attach to saw's stationary fence using two C-clamps.
2. Use 1/4" (6mm) drill bit to drill first through existing holes in the rear of the stationary fence and then through the wood.
3. Remove wood, countersink the front of the wood and permanently attach to saw's fence with hardware shown below.



Saw Operations

Special Cuts

⚠ WARNING Use clamping position that does not interfere with operation. Before switching on, lower head assembly to make sure clamp clears guard and head assembly.

⚠ WARNING Be aware of the path of the saw blade. Make a dry run with the saw Off by conducting a simulated cutting cycle, and observe the projected path of the saw blade. Keep hands at least six (6) inches (152mm) away from the projected path of the saw blade.

⚠ WARNING To provide sufficient (minimum 6" [152mm]) spacing from hand to saw blade, extend the sliding fence and base extensions when making extreme bevel, miter or compound cuts.

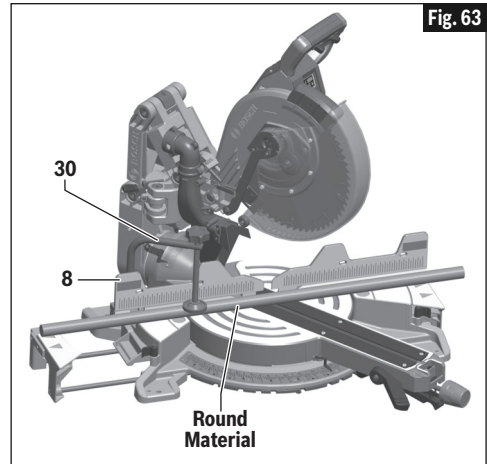
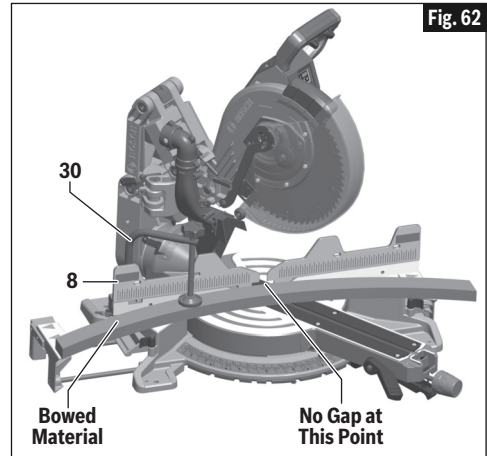
Cutting bowed material and round material are only two examples of special cuts.

CUTTING BOWED MATERIAL

If workpiece is bowed or warped, clamp it with the outside bowed face toward the fence **8**. Always make certain that there is no gap between the workpiece, fence and table along the line of cut. Bent or warped workpieces can twist or rock and may cause binding on the spinning saw blade while cutting (see Fig. 62).

CUTTING ROUND OR IRREGULARLY SHAPED MATERIAL

For round material such as dowel rods or tubing, always use a clamp **30** or a fixture designed to clamp the workpiece firmly against the fence and table. Rods have a tendency to roll while being cut, causing the blade to "bite" and pull the work with your hand into the blade (see Fig. 63).



Maintenance and Lubrication

⚠ WARNING To avoid accidents, always disconnect battery pack from tool before cleaning or performing any maintenance.

Service

⚠ WARNING All tool service should be performed by a Bosch Factory Service Center or an Authorized Bosch Service Station. Preventive maintenance performed by unauthorized personnel may result in misplacing of internal wires and components which could cause serious hazard.

Batteries

Be alert for battery packs that are nearing their end of life. If you notice decreased tool performance or significantly shorter running time between charges then it is time to replace the battery pack. Failure to do so can cause the tool to operate improperly or damage the charger.

Care of Blades

Blades become dull even from cutting regular lumber. If you find yourself forcing the saw forward to cut instead of just guiding it through the cut, chances are the blade is dull or coated with wood pitch.

When cleaning gum and wood pitch from blade, unplug the saw and remove the blade. Remember, blades are designed to cut, so handle carefully. Wipe the blade with kerosene or similar solvent to remove the gum and pitch. Unless you are experienced in sharpening blades, we recommend you do not try.

Tool Lubrication

⚠ WARNING Preventive maintenance performed by unauthorized personnel may result in misplacing of internal wires and components which could cause serious hazard. We recommend that all tool service be performed by a Bosch factory Service Center or Authorized Bosch Service Station.

Periodically lubricate moving parts with a silicone, or light oil spray. Do not use grease because it tends to attract and hold sawdust.

Bearings

All bearings in this tool are lubricated with a sufficient amount of high-grade lubricant for the life of the unit under normal operating conditions. No further lubrication is required.

Cleaning

⚠ CAUTION Certain cleaning agents and solvents damage plastic parts. Some of these are: gasoline, carbon tetrachloride, chlorinated cleaning solvents, ammonia and household detergents that contain ammonia.

Ventilation openings and switch levers must be kept clean and free of foreign matter. Do not attempt to clean by inserting pointed objects through openings.

Check regularly to make sure the lower guard and all moving parts are working properly.

Troubleshooting

Troubleshooting Guide - Electrical

PROBLEM	CAUSE	CORRECTIVE ACTION
Brake does not stop blade in about 5 seconds.	<ol style="list-style-type: none"> 1. Blade bolt loose. 2. Other. 	<ol style="list-style-type: none"> 1. Tighten blade bolt. 2. Authorized service.
Motor does not start.	<ol style="list-style-type: none"> 1. Battery pack not charged. 2. Battery pack not installed properly. 3. Battery pack temperature is too hot or cold for operation. 4. Electronic Motor Protection turned tool off. 5. Burned out switch. 6. Other. 	<ol style="list-style-type: none"> 1. Charge battery if needed. 2. Confirm battery is locked and secured to the tool. 3. Let battery sit a few minutes or until it reaches normal operating temperature. 4a. Remove battery and replace. 4b. Let tool sit a few minutes or until it reaches normal operating temperature. 5. Have switch replaced by an Authorized Bosch Service Center or Service Station. 6. Authorized service.

Troubleshooting

Troubleshooting Guide - General

PROBLEM	CAUSE	CORRECTIVE ACTION
Head assembly does not bevel to desired position.	<ol style="list-style-type: none"> 1. Bevel detent pin is engaged and locks bevel angle at 33.9°. 2. Bevel range selector knob setting limits movement. 	<ol style="list-style-type: none"> 1. Pull out 33.9° bevel detent pin, then rotate pin 1/4 turn to keep out. 2. Change bevel range selector knob position (see page 48).
Blade hits table.	Misalignment.	Authorized service.
Angle of cut not accurate.	Angle stops at 0° or 45° need adjustment.	See Adjustments section (pages 22–30).
Cannot rotate table to change miter angle.	<ol style="list-style-type: none"> 1. Miter lock knob is tightened. 2. Miter detent lever is engaged with a detent (slot) in detent plate. 3. Sawdust accumulation. 	<ol style="list-style-type: none"> 1. Turn miter lock knob counterclockwise to loosen. 2. Pull up on miter detent lever to disengage from detent slot (see page 41). 3. Vacuum or blow out dust around turntable; wear eye protection.
Head assembly will not fully raise or blade guard will not fully close.	<ol style="list-style-type: none"> 1. Head assembly lock pin is engaged. 2. Sawdust accumulation. 3. Sawdust accumulation. 	<ol style="list-style-type: none"> 1. Pull out lock pin, allowing head assembly to go up (see page 22). 2. Clean head assembly. 3. Authorized service.
Blade binds, jams, burns wood. Rough cuts.	<ol style="list-style-type: none"> 1. Improper operation. 2. Dull blade. 3. Improper blade. 4. Bent blade. 	<ol style="list-style-type: none"> 1. See Saw Operations section. 2. Replace or sharpen blade. 3. Replace with 12" (305mm) diameter blade designed for material being cut. 4. Replace blade.
Head assembly slides forward and back when making a chop cut.	Mechanism lock lever is disengaged.	Pull up on mechanism lock lever tab to engage (see page 23).
Bevel angle is not securely held when bevel lock lever is pushed.	Bevel lock lever needs tension adjustment.	Increase bevel lock lever force by adjusting tension nut (see page 27).
Glide mechanism is difficult to move forward and back.	Glide movement controller is set too tight.	Loosen two screws on the movement controller (see page 22).

Troubleshooting

Troubleshooting Guide - General

PROBLEM	CAUSE	CORRECTIVE ACTION
Tool vibrates or shakes.	<ol style="list-style-type: none"> 1. Saw blade not round. 2. Saw blade damaged. 3. Saw blade loose. 4. Other 	<ol style="list-style-type: none"> 1. Replace blade. 2. Replace blade. 3. Check that blade is properly seated on the inner washer. See Removing and Installing Blades on page 19. 4. Authorized service.
Head assembly does not slide freely when attempting a slide cut.	Mechanism lock lever is engaged.	Push down on mechanism lock lever to disengage (see page 23).
Blade does not cut completely through workpiece.	<ol style="list-style-type: none"> 1. Depth stop plate is pulled out for non-through cuts. 2. Replacement blade is less than 12" (305mm) diameter. 	<ul style="list-style-type: none"> - Push depth stop plate inward to set for full-depth cuts (see page 24). - Change to a blade that is fully 12" (305mm) diameter.
Saw blade or lower guard cuts or contacts sliding fence when saw is set for bevel cuts.	Sliding fence is not moved out from path of saw blade before making bevel cut.	Move sliding fence to be clear of lower guard and saw blade; perform a "dry cut" to check for clearances before making bevel cuts (see pages 47–50).
Bevel angle is not securely held when bevel lock lever is locked.	Bevel lock lever needs tension adjustment.	Increase bevel lock lever tension by adjusting lock nut (see page 27).

Attachments/Accessories

GAM 220 MF and GAM 270 MFL Digital Angle Finder/Compound Cut Calculator/Protractor/Level – Gives you the information needed to position cuts so that they fit together precisely even if the room is out of square.

MS1233 Crown Stop Set – Correctly hold crown molding in an inclined position against fence. Set molding for simple vertical cutting – no compound cutting required.

T1B Portable Miter Saw Stand

GTA3800 Portable Miter Saw Stand with Wheels

T4B Gravity-Rise Wheeled Miter Saw Stand

MS1234 Length Stop Kit

Blades

Symboles relatifs à la sécurité

Les définitions ci-dessous décrivent le niveau de gravité pour chaque terme signalant un danger. Veuillez lire le mode d'emploi et lire la signification de ces symboles.





	C'est le symbole d'alerte relatif à la sécurité. Il est utilisé pour vous avertir de l'existence possible d'un danger de lésion corporelle. Obéissez à tous les messages relatifs à la sécurité qui suivent ce symbole pour éviter tout risque de blessure ou même de mort.
	DANGER indique une situation dangereuse qui, si elle n'est pas évitée, causera la mort d'une personne ou une blessure grave.
	AVERTISSEMENT indique une situation dangereuse qui, si elle n'est pas évitée, pourrait causer la mort d'une personne ou une blessure grave.
	MISE EN GARDE, indique une situation dangereuse qui, si elle n'est pas évitée, pourrait causer une blessure légère ou modérée.

Table des matières

Avertissements généraux concernant la sécurité des outils électroportatifs	64
1. Sécurité du lieu de travail	64
2. Sécurité électrique	64
3. Sécurité personnelle	65
4. Utilisation et entretien des outils électroportatifs	65
5. Utilisation et entretien des outils à piles	66
6. Entretien	66
Consignes de sécurité pour les scies à onglet	67
Avertissements supplémentaires concernant la sécurité	69
Spécifications électriques	70
Licences	71
Symboles	72
Familiarisez-vous avec votre scie à onglet	74
Spécifications	77
Utilisation prévue	77
Capacités de coupe	77
Déballage et vérification du contenu	78
Outils nécessaires à l'assemblage et à l'alignement	79
Assemblage	80
Fixation des pièces détachées	80
Insertion et retrait du bloc-piles	80
Retrait et installation des lames	81
Assemblage du système de collecte de la sciure	82
Réglages	84
Utilisation du goujon de verrouillage de l'ensemble de tête	84
Utilisation du contrôleur du mouvement coulissant	84
Utilisation du levier de verrouillage du mécanisme	85
Réglage de la profondeur de coupe	86

Système de détente d'onglet – Procédure de réglage	87
Réglage des éléments amovibles pour traits de scie	87
Butée de biseau à 0° – Procédure de réglage	88
Butée de biseau à 45° – Procédure de réglage	90
Réglage de la tension de verrouillage du biseau	92
Réglage du boulon de stabilisation avant	93
Transport et montage	94
Applications de montage	95
Préparation pour les opérations de la scie	96
Actionnement de l'interrupteur	96
Éclairage à DEL incorporé	96
Guide de la ligne laser	96
Interface utilisateur (Fig. 30)	97
Connectivité	98
Position du corps et des mains	100
Support de l'ouvrage	102
Opérations de la scie	106
Utilisation du système de détente d'onglet	106
Neutralisation de la détente d'onglet	106
Coupes de cisaillement	107
Coupes coulissantes	108
Coupe d'onglet	109
Coupes en biseau	112
Coupes composées	116
Coupe de rainures	117
Coupe de moulures en couronne	118
Coupe de moulures de base	118
Guide auxiliaire pour moulure de couronnement	123
Coupes spéciales	125
Maintenance et lubrification	126
Dépannage	127
Attelements/Accessoires	130

Avertissements généraux concernant la sécurité des outils électroportatifs

⚠ AVERTISSEMENT Lisez toutes les consignes de sécurité, instructions, illustrations et spécifications fournies avec cet outil électrique. Le non-respect de toutes les instructions figurant ci-après pourrait causer un choc électrique, un incendie et/ou des blessures graves.

CONSERVEZ TOUS LES AVERTISSEMENTS ET TOUTES LES CONSIGNES DE SÉCURITÉ POUR RÉFÉRENCE FUTURE.

Dans les avertissements, le terme « outil électroportatif » se rapporte à votre outil branché sur le secteur (avec fil) ou à votre outil alimenté par piles (sans fil).

1. Sécurité du lieu de travail

- a. **Maintenez le lieu de travail propre et bien éclairé.** Les risques d'accident sont plus élevés quand on travaille dans un endroit encombré ou sombre.
- b. **N'utilisez pas d'outils électroportatifs dans des atmosphères explosives, comme par exemple en présence de gaz, de poussières ou de liquides inflammables.** Les outils électroportatifs produisent des étincelles qui risquent d'enflammer les poussières ou les vapeurs.
- c. **Éloignez les enfants et les visiteurs quand vous vous servez d'un outil électroportatif.** Vous risquez une perte de contrôle si on vous distrait.

2. Sécurité électrique

- a. **Les fiches des outils électroportatifs doivent correspondre à la prise. Il ne faut absolument jamais modifier la fiche. N'utilisez pas d'adaptateur de prise avec des outils électroportatifs munis d'une fiche de terre.** Le risque de choc électrique est moindre si on utilise une fiche non modifiée sur une prise qui lui correspond.
- b. **Évitez tout contact du corps avec des surfaces reliées à la terre tels que tuyaux, radiateurs, gazinières ou réfrigérateurs.** Le risque de choc électrique augmente si votre corps est relié à la terre.
- c. **N'exposez pas les outils électroportatifs à la pluie ou à l'humidité.** Si de l'eau pénètre dans un outil électroportatif, le risque de choc électrique augmente.
- d. **Ne maltraitez pas le cordon. Ne vous en servez jamais pour transporter l'outil électroportatif, pour le tirer ou pour le débrancher.** Éloignez le cordon de la chaleur, des huiles, des arêtes coupantes ou des pièces mobiles. Les cordons abîmés ou emmêlés augmentent les risques de choc électrique.

- e. **Si vous utilisez un outil électroportatif à l'extérieur, employez une rallonge conçue pour l'extérieur.** Ces rallonges sont faites pour l'extérieur et réduisent le risque de choc électrique.
- f. **S'il est absolument nécessaire d'utiliser l'outil électroportatif dans un endroit humide, utilisez une alimentation protégée par un disjoncteur de fuite de terre (GFCI).** L'utilisation d'un disjoncteur GFCI réduit les risques de choc électrique.

3. Sécurité personnelle

- a. **Restez concentré, faites attention à ce que vous faites, et servez-vous de votre bon sens lorsque vous utilisez un outil électroportatif. N'employez pas d'outils électroportatifs quand vous êtes fatigué ou sous l'emprise de drogues, d'alcool ou de médicaments.** Quand on utilise des outils électroportatifs, il suffit d'un moment d'inattention pour causer des blessures corporelles graves.
- b. **Utilisez des équipements de sécurité personnelle. Portez toujours une protection oculaire.** Le port d'équipements de sécurité tels que des masques antipoussières, des chaussures de sécurité antidérapantes, des casques de chantier et des protecteurs d'oreilles dans des conditions appropriées réduira le risque de blessure corporelle.
- c. **Évitez les démarrages intempestifs. Assurez-vous que l'interrupteur est dans la position arrêt (Off) avant de brancher l'outil dans une prise de courant et/ou un bloc-piles, de le ramasser ou de le transporter.** Le transport d'un outil électroportatif avec le doigt sur la gâchette ou le branchement de cet outil quand l'interrupteur est en position de marche (ON) est une invite aux accidents.
- d. **Enlevez toutes les clés de réglage avant de mettre l'outil électroportatif en marche.** Si on laisse une clé sur une pièce tournante de l'outil électroportatif, il y a risque de blessure corporelle.

Avertissements généraux concernant la sécurité des outils électroportatifs

- e. **Ne vous penchez pas. Conservez toujours une bonne assise et un bon équilibre.** Ceci vous permettra de mieux maîtriser l'outil électroportatif dans des situations inattendues.
- f. **Habillez-vous de manière appropriée. Ne portez pas de vêtements amples ou de bijoux. Attachez les cheveux longs. N'approchez pas les cheveux, les vêtements ou les gants des pièces en mouvement.** Les vêtements amples, les bijoux ou les cheveux longs risquent d'être happés par les pièces en mouvement.
- g. **Si l'outil est muni de dispositifs permettant le raccordement d'un système d'aspiration et de collecte des poussières, assurez-vous que ces dispositifs sont raccordés et utilisés correctement.** L'utilisation d'un dépoussiéreur peut réduire les dangers associés à l'accumulation de poussière.
- h. **Ne laissez pas la familiarité résultant de l'utilisation fréquente des outils vous inciter à devenir complaisant(e) et à ignorer les principes de sécurité des outils.** Une action négligente pourrait causer des blessures graves en une fraction de seconde.
- e. **Entretenez de façon appropriée les outils électriques et les accessoires. Assurez-vous que les pièces en mouvement sont bien alignées et qu'elles ne se coincent pas, qu'il n'y a pas de pièces cassées ou qu'il n'existe aucune situation pouvant affecter le fonctionnement de l'outil électrique. Si l'outil est abîmé, faites-le réparer avant de l'utiliser.** De nombreux accidents sont causés par des outils électroportatifs mal entretenus.
- f. **Maintenez les outils coupants affûtés et propres.** Les outils coupants entretenus correctement et dotés de bords tranchants affûtés sont moins susceptibles de coincer et sont plus faciles à maîtriser.
- g. **Utilisez l'outil électroportatif, les accessoires et les embouts d'outil, etc. conformément à ces instructions, en tenant compte des conditions de travail et des travaux à réaliser.** L'emploi d'outils électroportatifs pour des tâches différentes de celles pour lesquelles ils ont été prévus peut résulter en une situation dangereuse.
- h. **Gardez les poignées et les surfaces de préhension propres, sèches et exemptes de toute trace d'huile ou de graisse.** Les poignées et les surfaces de préhension glissantes ne permettent pas une manipulation et un contrôle sûrs de l'outil dans des situations inattendues.

4. Utilisation et entretien des outils électroportatifs

- a. **Ne forcez pas sur l'outil électroportatif. Utilisez l'outil électroportatif qui convient à la tâche à effectuer.** L'outil qui convient à la tâche fait un meilleur travail et est plus sûr à la vitesse pour lequel il a été conçu.
- b. **Ne vous servez pas de l'outil électroportatif si son interrupteur ne parvient pas à le mettre en marche ou à l'arrêter.** Tout outil électroportatif qui ne peut pas être commandé par son interrupteur est dangereux et doit être réparé.
- c. **Débranchez la fiche de la prise secteur et/ou retirez le bloc-piles de l'outil électrique (s'il est amovible) avant d'y apporter de quelconques modifications, de changer d'accessoire ou de ranger l'outil électrique.** De telles mesures de sécurité préventive réduisent le risque de démarrage intempestif de l'outil électroportatif.
- d. **Rangez les outils électroportatifs dont vous ne vous servez pas hors de portée des enfants et ne permettez pas à des personnes qui ne connaissent pas l'outil électroportatif ou qui ignorent ces consignes de s'en servir.** Les outils électroportatifs sont dangereux dans les mains d'utilisateurs inexpérimentés.

5. Utilisation et entretien des outils à piles

- a. **Rechargez les piles uniquement avec le chargeur spécifié par le fabricant.** Un chargeur qui convient à un type de bloc-piles peut entraîner un risque d'incendie quand il est utilisé avec un autre bloc-piles.
- b. **Utilisez des outils électroportatifs uniquement avec les bloc-piles spécifiquement désignés pour eux.** L'utilisation de tout autre bloc-piles peut créer un risque de blessures et d'incendie.
- c. **Lorsque le bloc-piles n'est pas utilisé, gardez-le à distances d'autres objets métalliques tels que des trombones, des pièces de monnaie, des clés, des clous, des vis ou de tout autre objet métallique pouvant faire une connexion entre une borne et une autre.** Court-circuiter les bornes des piles peut causer des brûlures ou un incendie.
- d. **Dans des conditions abusives, du liquide peut être éjecté de la pile ; dans un tel cas, évitez tout contact avec ce liquide. Si un contact se produit accidentellement, rincez avec**

Avertissements généraux concernant la sécurité des outils électroportatifs

de l'eau. Si le liquide entre en contact avec les yeux, consultez un médecin. Du liquide éjecté de la pile peut causer des irritations ou des brûlures.

- e. **N'utilisez pas un bloc-piles ou un outil qui est endommagé ou a été modifié.** Des piles endommagées ou modifiées peuvent se comporter de façon imprévisible et causer un incendie ou une explosion, ou entraîner des blessures.
- f. **N'exposez pas un bloc-piles ou un outil à un incendie ou à une température excessive.** L'exposition à un incendie ou à une température supérieure à 265° F (130° C) pourrait causer une explosion.
- g. **Suivez toutes les instructions relatives à la charge et ne chargez pas le bloc-piles ou l'outil en dehors de la plage de température indiquée dans les instructions.** Une charge dans des conditions appropriées ou à des températures en dehors de la plage spécifiée pourrait endommager les piles et augmenter le risque d'incendie.

6. Entretien

- a. **Faites réparer votre outil électroportatif par un agent de service qualifié n'utilisant que des pièces de rechange identiques.** Ceci assure que la sécurité de l'outil électroportatif est préservée.
- b. **Ne tentez jamais de réparer des blocs-piles endommagés.** La réparation de blocs-piles ne doit être effectuée que par le fabricant ou un prestataire de services agréé.

Consignes de sécurité pour les scies à onglet

- a. **Les scies à onglet sont conçues pour couper le bois ou des produits similaires au bois; elles ne peuvent pas être utilisées avec des meules de tronçonnage abrasives pour couper des matériaux ferreux tels que des barres, des tiges, des goujons, etc.** La poussière abrasive a pour effet que des pièces mobiles telles que le dispositif de protection inférieur ont tendance à se coincer. Les étincelles causées par la coupe de matériaux abrasifs brûleront le dispositif de protection inférieur, le disque à entailler et d'autres pièces en plastique.
- b. **Utilisez des brides de fixation pour supporter l'ouvrage dans la mesure du possible. Si vous soutenez l'ouvrage à la main, vous devez toujours garder votre main à au moins 10 cm (4 po) de chaque côté de la lame de la scie. N'utilisez pas cette scie pour couper des pièces qui sont trop petites pour être assujetties au moyen de brides de fixation ou tenues à la main en toute sécurité.** Si vous placez votre main trop près de la lame de la scie, vous augmentez les risques de vous blesser en cas de contact avec la lame.
- c. **L'ouvrage doit être stationnaire et assujéti au moyen de brides de fixation ou maintenu contre le guide et la table. Ne poussez pas l'ouvrage à la main en direction de la lame et ne coupez pas « à main levée » de quelque façon que ce soit.** Des pièces non retenues ou en mouvement pourraient être projetées à grande vitesse et causer des blessures.
- d. **Poussez la scie à travers l'ouvrage. Ne tirez pas la scie à travers l'ouvrage. Pour faire une coupe, soulevez la tête de la scie et tirez-la pour la faire sortir de l'ouvrage sans couper, faites démarrer le moteur, appuyez sur la tête de la scie et poussez la scie à travers l'ouvrage.** Le fait de couper pendant la partie de l'opération consistant à tirer risque de faire grimper la lame de la scie sur le dessus de l'ouvrage et de projeter violemment l'ensemble de lame vers l'opérateur.
- e. **Ne croisez jamais votre main sur la ligne de coupe prévue, soit devant, soit derrière la lame de scie.** Il est très dangereux de soutenir la pièce à « main croisée », c'est-à-dire de tenir l'ouvrage à droite de la lame de scie avec votre main gauche ou vice-versa.
- f. **Ne tendez pas la main pour atteindre l'arrière du guide à moins de 10 cm (4 po) de chaque côté de la lame de la scie, pour re-**
- tirer des débris de bois ou pour toute autre raison pendant que la lame tourne.** La proximité de la lame de scie en train de tourner et votre main n'est pas toujours évidente, et vous pourriez subir une blessure grave.
- g. **Inspectez votre ouvrage avant de commencer à couper. Si l'ouvrage est tordu ou courbé, assujettissez-le de manière que la partie extérieure de la courbure soit face au guide. Assurez-vous toujours qu'il n'y a pas d'espace entre l'ouvrage, le guide et la table le long de la ligne de coupe.** Les ouvrages courbés ou tordus peuvent subir une torsion supplémentaire ou bouger, ce qui risquerait d'avoir pour effet que la lame de la scie en train de tourner se coince pendant la coupe. Il ne doit pas y avoir de clous ou de corps étrangers dans l'ouvrage.
- h. **N'utilisez pas la scie jusqu'à ce que tous les outils, débris en bois, etc., aient été retirés de la table de travail, et qu'il ne reste plus que l'ouvrage.** De petits déchets ou des morceaux de bois non sécurisés, ou d'autres objets qui pourraient entrer en contact avec la lame en train de tourner, risqueraient d'être projetés à grande vitesse.
- i. **Ne coupez qu'un ouvrage à la fois.** Il n'est pas possible d'assujettir par des brides de fixation ou de sécuriser par ailleurs de multiples ouvrages à la fois de façon adéquate, et ils risqueraient de se coincer sur la lame ou de changer de position pendant la coupe.
- j. **Vérifiez que la scie à onglet est montée ou placée sur une surface de travail ferme et de niveau avant de commencer à utiliser la scie.** Une surface de travail ferme et de niveau réduit le risque de rendre la scie à onglet instable.
- k. **Planifiez votre travail. Chaque fois que vous modifiez le réglage de l'angle du biseau ou de l'onglet, assurez-vous que le guide réglable est correctement réglé pour supporter l'ouvrage et qu'il n'interfère pas avec la lame ou le système de protection.** Sans mettre l'outil sous tension (« ON ») et sans ouvrage à usiner sur la table, déplacez la lame de scie à travers une coupe simulée complète pour vous assurer qu'il n'y aura pas d'interférence ou de danger de couper la guide.
- l. **Prévoyez un support adéquat tel que des rallonges de table, des chevalets de sciage, etc. si votre ouvrage est plus large ou plus long que le dessus de table.** Les ouvrages plus longs ou plus larges que la table de scie

Consignes de sécurité pour les scies à onglet

à onglet peuvent basculer s'ils ne sont pas solidement supportés. Si l'ouvrage ou la partie coupée de l'ouvrage bascule, ceci risque de soulever le dispositif de protection de protection inférieur, ou l'ouvrage peut être projeté par la lame en train de tourner.

- m. **N'utilisez pas une autre personne pour tenir l'ouvrage à la place d'une rallonge de table ou d'un dispositif de support additionnel.** Un support instable pour l'ouvrage peut entraîner le coincement de la lame ou le déplacement de l'ouvrage à usiner pendant l'opération de coupe, vous entraînant ainsi que la personne qui vous aide vers la lame en rotation.
- n. **La partie coupée de l'ouvrage ne doit être coincée ou assujettie d'aucune façon contre la lame de scie en train de tourner.** Si elle est confinée, par exemple en conséquence de l'utilisation de butées de longueur, la pièce coupée pourrait être coincée contre la lame et projetée violemment.
- o. **Utilisez toujours une bride de fixation ou un dispositif conçu pour supporter adéquatement des matériaux ronds tels que des tiges ou des tubes.** Les tiges ont tendance à rouler pendant la coupe, ce qui fait que la lame « mord » l'ouvrage et l'attire ainsi que votre main dans la lame.
- p. **Attendez que la lame atteigne sa vitesse de**

croisière avant de la mettre en contact avec l'ouvrage. Ceci réduira le risque de projection de l'ouvrage.

- q. **Si l'ouvrage ou la lame se coince, éteignez la scie à onglet. Attendez que toutes les pièces mobiles s'arrêtent et débranchez la fiche de la source d'alimentation et/ou retirez le bloc-piles. Puis efforcez-vous de dégager la pièce coincée.** Si vous continuez à scier alors que l'ouvrage est coincé, vous risquez de perdre le contrôle de la scie à onglet ou de l'endommager.
- r. **Après avoir terminé la coupe, relâchez l'interrupteur, tenez fermement la scie avec la tête en bas et attendez que la lame cesse de tourner avant de retirer la partie de l'ouvrage qui a été découpée.** Il est dangereux d'étendre la main près d'une lame en train de tourner.
- s. **Tenez fermement la poignée lorsque vous effectuez une coupe incomplète ou lorsque vous relâchez l'interrupteur avant que la tête de la scie ne soit en position complètement abaissée.** L'action de freinage de la scie peut entraîner une chute brutale de la tête de la scie, ce qui risque de provoquer des blessures.
- t. **Évitez de causer la surchauffe des pointes de la lame de la scie.**

Avertissements supplémentaires concernant la sécurité

L'emploi d'un GFCI et de dispositifs de protection personnelle tels que gants et chaussures d'électricien en caoutchouc améliorent votre sécurité personnelle.

N'utilisez pas un outil conçu uniquement pour le C.A. sur une alimentation en C.C. Même si l'outil semble fonctionner, les composants électriques d'un outil prévu pour le C.A. tomberont probablement en panne et risquent de créer un danger pour l'utilisateur.

Maintenez les poignées sèches et exemptes d'huile et de graisse. On ne peut pas maîtriser un outil électroportatif en toute sécurité quand on a les mains glissantes.

Créez un agenda d'entretien périodique pour votre outil. Quand vous nettoyez un outil, faites attention de n'en démonter aucune pièce car il est toujours possible de mal remonter ou de pincer les fils internes ou de remonter incorrectement les ressorts de rappel des capots de protection. Certains agents de

nettoyage tels que l'essence, le tétrachlorure de carbone, l'ammoniaque, etc. risquent d'abîmer les plastiques.

⚠ AVERTISSEMENT Les travaux à la machine tel que ponçage, sciage, meulage, perçage et autres travaux du bâtiment peuvent créer des poussières contenant des produits chimiques qui sont des causes reconnues de cancer, de malformation congénitale ou d'autres problèmes reproductifs. Ces produits chimiques sont, par exemple :

- Le plomb provenant des peintures à base de plomb,
- Les cristaux de silices provenant des briques et du ciment et d'autres produits de maçonnerie, et
- L'arsenic et le chrome provenant des bois traités chimiquement

Le niveau de risque dû à cette exposition varie

Avertissements supplémentaires concernant la sécurité

avec la fréquence de ces types de travaux. Pour réduire l'exposition à ces produits chimiques, il faut travailler dans un lieu bien ventilé et porter un équipement de sécurité approprié tel

que certains masques à poussière conçus spécialement pour filtrer les particules microscopiques.

⚠ AVERTISSEMENT N'utilisez pas la scie à onglet Bosch GCM18V-12GDC pour couper des panneaux de fibrociment. La coupe de matériaux contenant de la silice cristalline peut créer des expositions à de la poussière de silice respirable.

⚠ AVERTISSEMENT Lisez attentivement tous les avertissements figurant sur votre scie à onglet avant de vous en servir à chaque fois.



Les outils électriques peuvent projeter des corps étrangers dans les yeux de leur utilisateur et lui infliger de graves blessures oculaires. Portez toujours des lunettes de sécurité répondant aux normes ANSI Z87.1 (cette caractéristique est indiquée sur l'emballage) avant d'utiliser un outil électrique.

Avertissements supplémentaires concernant la sécurité

		<p>Do Not Carry the Saw by this handle. No lleve la sierra por este mango. Ne transportez pas la scie par sa poignée.</p>
<p>ZONES DE DANGER DÉSIGNÉES</p>	<p>ZONE DE PINCEMENT POSSIBLE DÉSIGNÉE</p>	<p>ZONE DÉSIGNÉE D'INTERDICTION DE PRÉHENSION POUR LE TRANSPORT</p>
<p>Évitez d'y placer les mains, les doigts ou les bras</p>	<p>Une zone dangereuse – évitez de placer les mains, les doigts ou les bras dans ces zones. N'essayez jamais de déplacer ou de soulever la scie dans ces zones.</p>	<p>Une zone dangereuse – ne soulevez ou ne transportez jamais la scie par la poignée de l'interrupteur d'alimentation secteur.</p>

Spécifications électriques

Frein électrique

Votre scie est équipée d'un frein électrique automatique qui est conçu de manière à empêcher la lame de tourner environ cinq (5) secondes après que vous ayez relâché la gâchette de commande. Cette particularité est utile pour pratiquer certaines coupes dans le bois alors qu'une lame qui se déplace par inertie entraînerait une coupe large et imprécise.

⚠ AVERTISSEMENT Lorsqu'il y a panne de courant en raison d'un fusible grillé ou d'autres causes, le moteur ralentit progressivement et l'action de freinage est amorcée **UNIQUEMENT** par le relâchement de la gâchette de commande.

Le frein électrique de lame de votre scie a été conçu en vue du plus haut niveau de fiabilité, mais il se peut que le frein ne soit pas actionné sous l'effet de circonstances imprévues telles

que la contamination sur le commutateur et les balais ou la défaillance des composants du moteur. Dans ce cas, mettez la scie en marche et à l'arrêt quatre ou cinq fois en évitant tout contact entre la scie et le matériau. Si l'outil fonctionne mais le frein n'arrête pas uniformément la lame en environ cinq (5) secondes, N'utilisez PAS la scie et faites-la réparer immédiatement.

⚠ AVERTISSEMENT L'action de freinage de cette scie n'est pas destinée à servir de mesure de sécurité. N'oubliez pas de laisser la lame de scie s'arrêter complètement avant de la retirer du matériau. Comme toujours, le système de protecteurs constitue la meilleure façon d'éviter le contact accidentel avec une lame de scie qui tourne. Vous ne devez **JAMAIS** ouvrir en forçant ni empêcher l'action de fermeture du protecteur inférieur.

Licences

Copyright (C) 2009 - 2016 ARM LIMITED

Tous les droits sont réservés.

La redistribution et l'utilisation sous formes source et binaire, avec ou sans modifications, sont autorisées à condition que les conditions suivantes soient remplies :








- Les redistributions du code source doivent conserver l'avis de droits d'auteur ci-dessus, cette liste de conditions et le rejet de responsabilité suivant.
- Les redistributions sous forme binaire doivent reproduire l'avis de droits d'auteur ci-dessus, cette liste de conditions et le rejet de responsabilité suivant dans la documentation et/ou les autres éléments fournis avec la distribution.
- Ni le nom de ARM, ni les noms de ses collaborateurs ne peuvent être utilisés pour approuver ou promouvoir des produits dérivés de ce logiciel sans autorisation écrite préalable spécifique.

CE LOGICIEL EST FOURNI PAR LES DÉTENTEURS DES DROITS D'AUTEUR ET LES CONTRIBUTEURS « EN L'ÉTAT », ET TOUTES GARANTIES EXPRESSES OU IMPLICITES, Y

COMPRIS, MAIS SANS S'Y LIMITER, LES GARANTIES IMPLICITES DE QUALITÉ MARCHANDE ET D'ADÉQUATION À UN USAGE PARTICULIER, SONT REJETÉES. EN AUCUN CAS, LE PROPRIÉTAIRE OU LES CONTRIBUTEURS DES DROITS D'AUTEUR NE SERONT RESPONSABLES DE DOMMAGES DIRECTS, INDIRECTS, ACCESSOIRES, SPÉCIAUX, EXEMPLAIRES OU CONSÉCUTIFS (Y COMPRIS, MAIS SANS S'Y LIMITER, LA FOURNITURE DE MARCHANDISES OU DE SERVICES DE SUBSTITUTION) ; LA PERTE D'UTILISATION, DE DONNÉES OU DE BÉNÉFICES ; OU INTERRUPTION DES AFFAIRES, QUELLE QUE SOIT LA CAUSE ET QUELLE QUE SOIT LA THÉORIE DE RESPONSABILITÉ, QUE CE SOIT UN CONTRAT, LA RESPONSABILITÉ SANS FAUTE OU UN QUASIDÉLIT (Y COMPRIS LA NÉGLIGENCE OU UNE AUTRE CAUSE), DÉCOULANT D'UNE QUELCONQUE MANIÈRE DE L'UTILISATION DE CE LOGICIEL, MÊME S'IL AVAIT ÉTÉ INFORMÉ DE LA POSSIBILITÉ D'UN TEL DOMMAGE.

Symboles

Important : Certains des symboles suivants peuvent être utilisés sur votre outil. Veuillez les étudier et apprendre leur signification. Une interprétation appropriée de ces symboles vous permettra d'utiliser l'outil de façon plus efficace et plus sûre.

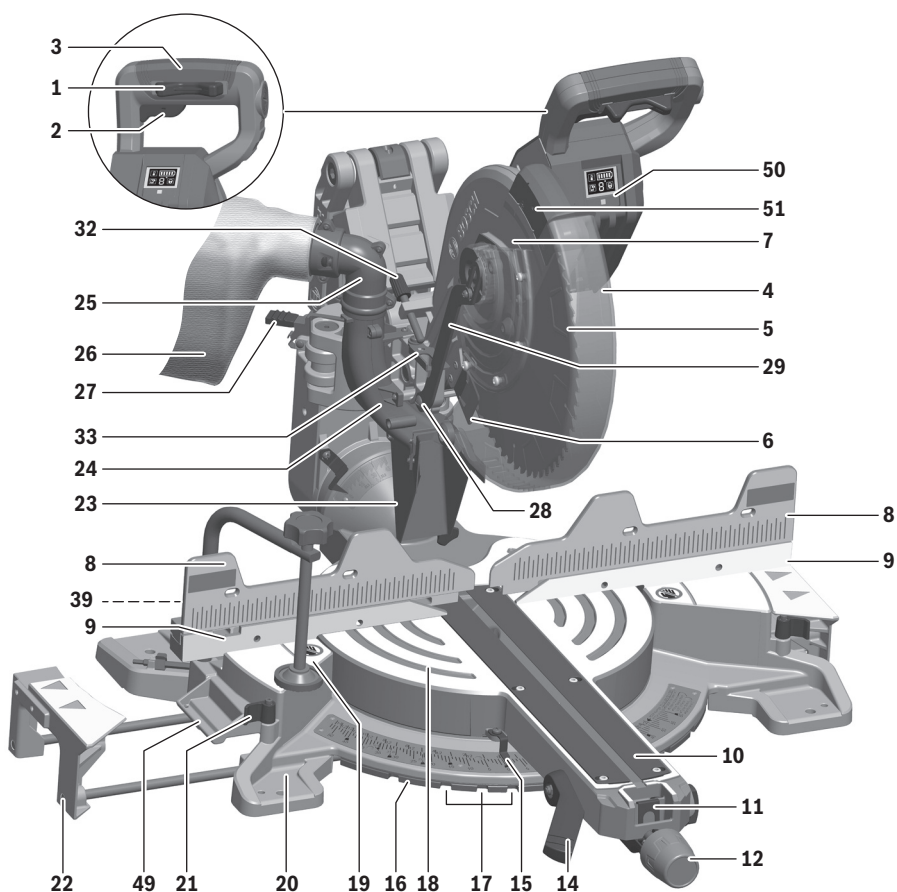
Symbole	Désignation / Explication
V	Volts (tension)
A	Ampères (courant)
Hz	Hertz (fréquence, cycles par seconde)
W	Watt (puissance)
kg	Kilograms (poids)
min	Minutes (temps)
s	Secondes (temps)
∅	Diamètre (taille des mèches de perceuse, meules, etc.)
n_0	Vitesse à vide (vitesse de rotation, à vide)
n	Vitesse nominale (vitesse maximum pouvant être atteinte)
.../min	Tours ou mouvement alternatif par minute (tours, coups, vitesse en surface, orbites, etc., par minute)
0	Position d'arrêt (vitesse zéro, couple zéro ...)
1, 2, 3, ... I, II, III,	Réglages du sélecteur (Réglages de vitesse, de couple ou de position. Un nombre plus élevé signifie une vitesse plus grande)
	Sélecteur variable à l'infini avec arrêt (La vitesse augmente depuis le réglage 0)
	Flèche (action dans la direction de la flèche)
	Courant alternatif (type ou caractéristique du courant)
	Courant continu (type ou caractéristique du courant)
	Courant alternatif ou continu (type ou caractéristique du courant)
	Construction classe II (désigne des outils construits avec double isolation)
	Borne de terre (borne de mise à la terre)

Symboles

Important : Certains des symboles suivants peuvent être utilisés sur votre outil. Veuillez les étudier et apprendre leur signification. Une interprétation appropriée de ces symboles vous permettra d'utiliser l'outil de façon plus efficace et plus sûre.

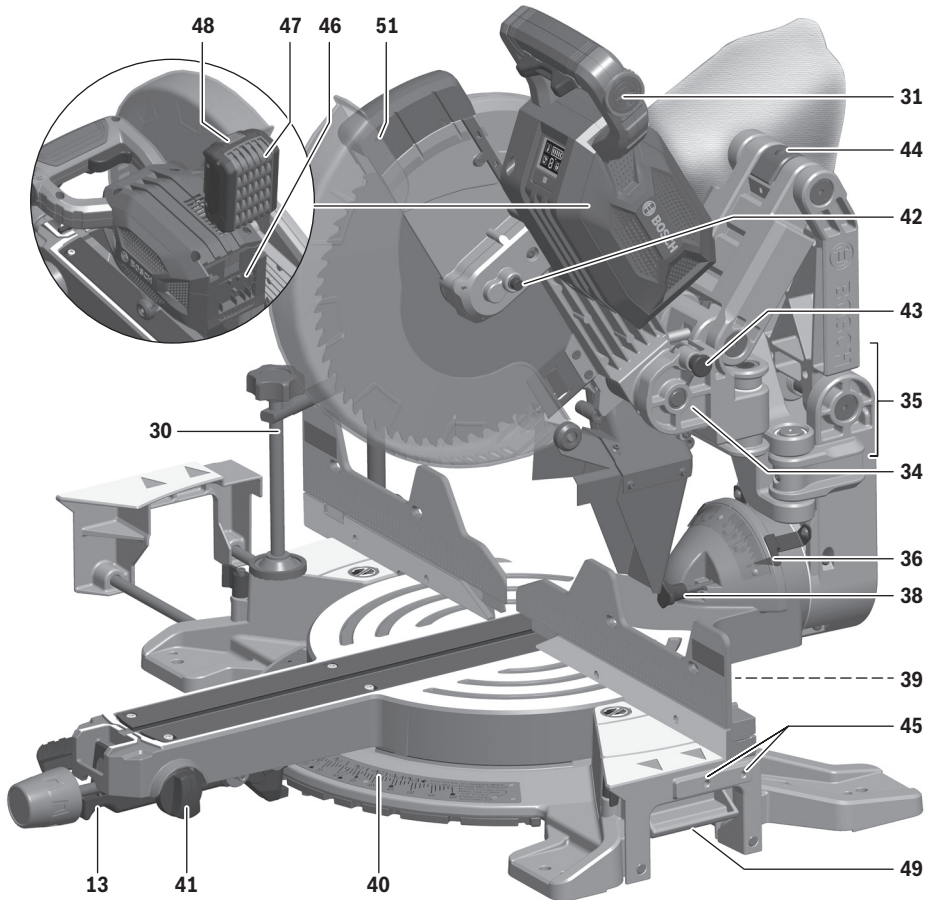
Symbole	Désignation / Explication
	Désigne le programme de recyclage des piles Li-ion.
	Désigne le programme de recyclage des piles Ni-Cad.
	Alerte l'utilisateur pour lire le mode d'emploi
	Alerte l'utilisateur pour porter des lunettes de sécurité
	Ce symbole signifie que cet outil est approuvé par Underwriters Laboratories.
	Ce symbole indique que ce composant est reconnu par Underwriters Laboratories.
	Ce symbole signifie que cet outil est approuvé par Underwriters Laboratories selon les normes des États-Unis et du Canada.
	Ce symbole signifie que cet outil est approuvé par l'Association canadienne de normalisation.
	Ce symbole signifie que cet outil est approuvé par l'Association canadienne de normalisation selon les normes des États-Unis et du Canada.
	Ce symbole signifie que cet outil est approuvé par Intertek Testing Services selon les normes des États-Unis et du Canada
	Ce symbole signifie que cet outil se conforme aux normes mexicaines NOM.

Familiarisez-vous avec votre scie à onglet



- Bouton de déblocage du verrouillage de l'interrupteur sur arrêt** – Il faut appuyer sur un de ces deux boutons avant de pouvoir appuyer sur l'interrupteur.
- Interrupteur** – L'interrupteur utilisé avec le bouton de blocage à l'arrêt « Lock-OFF » met la scie sous tension.
- Poignée principale** – Cette poignée comprend l'interrupteur. Abaissez-la pour faire descendre la lame et la faire pénétrer dans la pièce.
- Protecteur inférieur de lame/rebord de protecteur inférieur** – Le protecteur inférieur de lame aide à protéger vos mains contre la lame en rotation. Il se rétracte au fur et à mesure que la lame est abaissée. Ce rebord peut être utilisé pour soulever le dispositif de protection inférieur au cas où celui-ci se coincerait sur un ouvrage.
- Lame** – Utilisez seulement des lames de 12 po (305 mm) de diamètre) avec un trou d'arbre de 1 po (25,4 mm) de diamètre.
- Déflecteur de copeaux** – Empêche les débris coupés de l'ouvrage de pénétrer à l'intérieur du dispositif de protection supérieur.
- Dispositif de protection supérieur** – Recouvre la partie supérieure de la lame.
- Guides coulissant** – Supporte l'ouvrage. Le guides possède une échelle graduée incorporée pour faciliter les coupes à répétition. Le guides comporte également des trous qui servent à fixer un guides auxiliaire, si désiré.
- Guide fixe** – Le guide fixe est assujéti à la base par des boulons et il assure le soutien de l'ouvrage lorsque le guide coulissant est retiré.
- Inserts d'encoche** – Les inserts d'encoche peuvent être ajustés à différentes largeurs de lame afin de réduire au minimum les risques

Familiarisez-vous avec votre scie à onglet



- d'arrachement de l'ouvrage.
11. **Court-circuitage du cran d'arrêt d'onglet** – Permet d'inhiber le cran d'arrêt et d'ainsi effectuer des micro-réglages à tout angle d'onglet.
 12. **Bouton de blocage d'onglet** – Le bouton de blocage d'onglet bloque la table de la scie à onglet à tout angle d'onglet désiré.
 13. **Levier de cran d'onglet** – Ce levier efface le cran, permettant ainsi de libérer la table.
 14. **Levier de verrouillage du biseau** – Le levier de verrouillage du biseau, qui est situé à l'avant, verrouille l'ensemble de tête à l'angle de biseau désiré.
 15. **Échelle d'onglet/Pointeur d'onglet** – Le pointeur tourne avec la table et la lame. L'aiguille est dirigée vers l'échelle d'onglet pour indiquer le paramètre d'angle avant qu'une coupe ne soit effectuée.
 16. **Plaque de détente d'onglet** – La position de la plaque peut être ajustée pour fixer le degré d'exactitude de ses emplacements de détente.
 17. **Crans d'onglet** – Il y a dix (10) encoches pour crans d'onglet permettant de se régler rapidement et précisément aux angles d'onglet les plus courants.
 18. **Table** – Repose dans la base, supporte l'ouvrage, tourne pour coupes à onglet désirées et tourne la tête. La partie avant prolongée de la table est appelée le bras d'onglet.
 19. **Base** – Assure une surface de travail pour supporter l'ouvrage.
 20. **Coussinets de montage de l'outil** – Les quatre coins de la scie comportent des surfaces permettant de cramponner, boulonner ou

Familiarisez-vous avec votre scie à onglet

- clouer la scie à une surface de travail plate.
21. **Leviers de fixation de l'extension de la base** – Verrouille les extensions de la base aux positions désirées.
 22. **Extensions coulissantes de la base** – Fournit un soutien supplémentaire pour l'ouvrage. Utile pour couper des matériaux très longs.
 23. **Défecteur en cuivre** – S'attache au bas de la chute. Dévie la sciure vers la chute.
 24. **Chute à sciure** – Dirige la sciure vers le haut et à travers le coude jusqu'au sac de collecte de la sciure.
 25. **Coude** – Connecte la chute à sciure au sac de collecte de la sciure. Sa position peut être modifiée en le faisant tourner pour diriger la sciure.
 26. **Sac de collecte de la sciure** – A une fermeture à glissière au fond. Le sac peut être séparé du coude pour qu'il puisse être vidé.
 27. **Levier de verrouillage du mécanisme** – Maintient la scie en position arrière maximum pour les coupes de cisaillement ou complètement allongée pour le transport.
 28. **Bouton de contrôle de la biellette** – Connecte la biellette du mécanisme de protection inférieur au goujon pivotant.
 29. **Biellette du mécanisme de protection inférieur** – Permet un mouvement régulier du mécanisme de protection inférieur.
 30. **Bride de fixation** – Utilisez-la pour assujettir l'ouvrage sur la table et la base – Insérez dans l'endroit prévu pour le goujon de fixation (article 39).
 31. **Bouchon porte-balais** – Maintient les balais du moteur en place. Fournit un point d'accès pour inspecter les balais et les remplacer.
 32. **Compartiment du module de connectivité** – Le Module de connectivité Bosch est utilisé pour connecter l'outil à l'application Bosch Toolbox sur un dispositif mobile.
 33. **Goujon pivotant** – Assure le soutien de la tête de scie, du système de collecte de la sciure et d'autres composants fonctionnels.
 35. **Mécanisme de coulissement axial** – Permet à la scie de glisser en douceur dans les deux sens. Il peut être verrouillé en position de retrait maximum ou d'allongement maximum.
 36. **Échelle de biseau et pointeurs** – L'échelle de biseau est grande et orientée à un angle ; ceci permet à l'utilisateur de lire facilement les angles de biseau. Le pointeur indique quel est l'angle courant.
 37. **Goujon de biseau** – Fournit un soutien rotatif pour tous les composants la scie à onglet au-dessus de la table.
 38. **Broche de détente du biseau (réglage pour moulure de couronnement)** – Quand elle est engagée, elle verrouille l'ensemble de tête à l'angle de biseau de 33,9° vers la gauche ou vers la droite.
 39. **Emplacements des goujons de fixation** – Deux orifices pour goujons verticaux dans la base – fournis pour insérer la bride de fixation (article 30).
 40. **Vis de la plaque de détente d'onglet** – Quatre vis accessibles par les trous pratiqués dans l'échelle d'onglet. Ces vis sont desserrées pour permettre le réglage de la position de la plaque de détente.
 41. **Bouton du sélecteur de plage d'angles de biseau** – Permet la sélection de trois plages d'angles de biseau : « 0-45° à gauche », « 0-45° à droite » ou « Angle de biseau max. à 47° ».
 42. **Verrouillage de l'arbre** – Appuyez sur le bouton de verrouillage de l'arbre pour empêcher la lame de tourner lorsque vous desserrez ou serrez le bouton de fixation de l'arbre pendant le retrait ou l'installation de la lame.
 43. **Goujon de verrouillage de l'ensemble de tête** – Elle sert à verrouiller l'ensemble de tête en position abaissée pour le transport.
 44. **Contrôleur du mouvement de coulissement** – Il peut s'ajuster pour contrôler le mouvement du mécanisme de coulissement.
 45. **Trous de montage pour butée de longueur ou butée de couronne en option.**
 46. **Compartiment des piles** – utilisé pour insérer les blocs-piles Bosch.
 47. **Bloc-piles** (vendu séparément)
 48. **Bouton d'éjection du bloc-piles** – utilisé pour détacher le bloc-piles du compartiment des piles.
 49. **Poignées de transport incorporées latérales** – Utilisées pour soulever et transporter la scie.
 50. **Interface utilisateur** – utilisée pour sélectionner les niveaux de vitesse présélectionnés et pour indiquer le statut de l'outil électrique et des piles.
 51. **Vis de réglage pour le guide de ligne laser** – utilisée pour ajuster les guides de lignes laser.

Spécifications

Scie à onglet sans fil GCM18V-12GDC

Tension nominale	18 V ^{Li-Ion}
Température ambiante autorisée	
– pendant la charge	32...113 °F (0...+45 °C)
– pendant le fonctionnement	-4...122 °F (-20...+50 °C)
– pendant le stockage	32...122 °F (0...+50 °C)

Bloc-piles/chargeurs

Veuillez vous référer à la liste des piles/chargeurs accompagnant votre outil.

Module de connectivité (vendu séparément)

Veuillez vous référer aux instructions d'utilisation/consignes de sécurité incluses avec le module de connectivité.

Utilisation prévue

⚠ AVERTISSEMENT Utilisez cette scie à onglets uniquement comme prévu. Une utilisation inappropriée pourrait causer des blessures et des dommages matériels.

Capacités de coupe

Principales moulures / Positionnement	Taille maximum
Moulure de base contre le guide	185 mm / 7-1/4 po de 47° à gauche à 31,6° à droite 100 mm / 4 po de 31,6° à droite à 60° à droite
Moulure couronnée à 38° inclinée contre le guide*	5-1/2 po (140mm)
Moulure couronnée à 45° inclinée contre le guide*	6 po (152 mm)
Moulure couronnée à plat sur la table	11-1/2 po (292 mm)
* Dans une plage d'onglet de 0° à 47° à gauche	
Onglet / Biseau	Hauteur x largeur maximum
0°/ 0°	3-1/2 po x 13-1/2 po (89 x 343 mm)
0°/ 0° avec entretoise de table de 3/4 po (19 mm)	2-7/8 po x 15 po (73 x 381 mm)
45°/ 0°	3-1/2 po x 9-1/2 po (89 x 241 mm)
0°/ 45° (à gauche)	2 po x 13-1/2 po (50 x 343 mm)
0°/ 45° (à droite)	1-1/2 po x 13-1/2 po (38 x 343 mm)
45°/ 45° (à gauche)	2 po x 9-1/2 po (20 x 241 mm)
45°/ 45° (à droite)	1-1/2 po x 9-1/2 po (38 x 241 mm)

Déballage et vérification du contenu

Déballage de la scie à onglet – Pour faire sortir cet outil de son carton d'emballage, penchez-vous pour atteindre les emplacements des deux poignées de transport latérales et soulevez lentement jusqu'à ce que l'outil soit sorti complètement de son carton d'emballage.

⚠ AVERTISSEMENT Pour ne pas risquer de vous pincer, ce qui pourrait causer une blessure grave, il ne faut jamais soulever ou déplacer cette scie en saisissant un composant quelconque du système de soutien du mécanisme de coupe.



Ce symbole est placé à divers endroits sur l'outil pour avertir l'utilisateur des points de pincement.

Inspection du contenu du paquet – Ouvrez le dessus du paquet et localisez toutes les pièces détachées jointes. Consultez le schéma ci-dessous.

Certains composants de faibles dimensions tels que le levier de verrouillage du biseau et le bouton de verrouillage de l'onglet doivent être attachés à l'outil avant que celui-ci ne puisse être utilisé – Voir la rubrique « Fixation des pièces détachées » à la page 80.

Pièces détachées – 1 exemple de chaque pièce illustré



Cochez chaque pièce localisée



Clé hexagonale de 6/4 mm



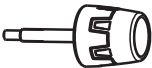
Bride de fixation de l'ouvrage



Mode d'emploi



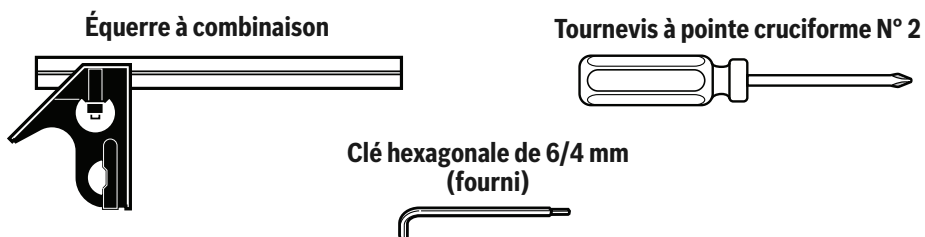
Bouton de verrouillage d'onglet



Clé hexagonale de 2,5mm

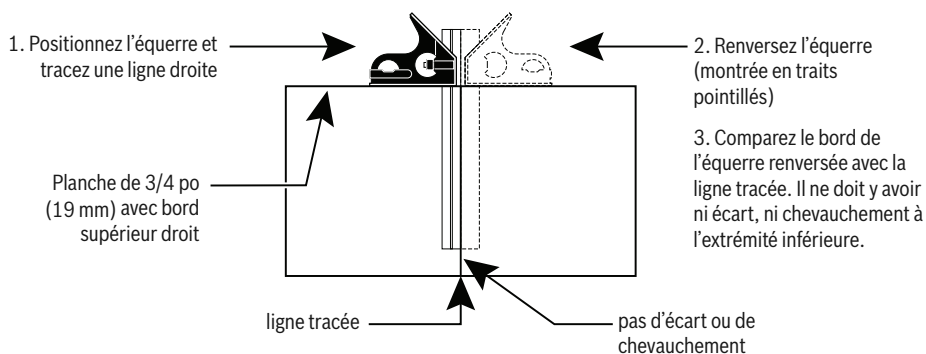


Outils nécessaires à l'assemblage et à l'alignement



REMARQUE : une clé hexagonale de 6 mm et une clé hexagonale de 4 mm peuvent être utilisées à la place de la clé hexagonale de 6/4 mm fournie.

L'équerre combinée doit être droite et stable - Inspection de l'équerre combinée



Assemblage

AVERTISSEMENT Débranchez le bloc-piles avant de procéder à une quelconque opération de montage, de réglage ou de réparation afin d'éviter tout risque de blessure.

Fixation des pièces détachées

Fixation du bouton de verrouillage d'onglet – Localisez le bouton de verrouillage d'onglet **12** parmi les pièces détachées.

1. Regardez au-dessous du bras avant de la plaque tournante, au-dessus du levier de verrouillage, et localisez le trou de 10 mm (voir Fig. 1).
2. Insérez la tige longue du bouton de verrouillage d'onglet à travers ce trou jusqu'à ce qu'elle ne puisse plus avancer.
3. Tournez le bouton dans le sens des aiguilles d'une montre (environ 10 tours complets) jusqu'à ce qu'il soit serré au maximum, ou « verrouillé ».
4. Desserrez le bouton d'un demi-tour pour le déverrouiller. La plaque tournante peut maintenant tourner sur la base.

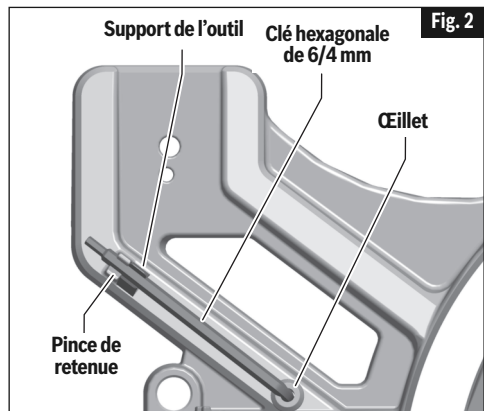
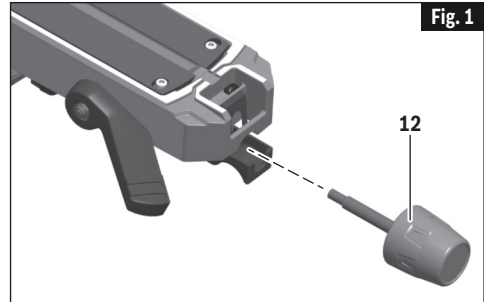
Utilisation du bouton de verrouillage d'onglet –

1. Desserrez le bouton de verrouillage d'onglet.
2. Tout en tenant le bouton dans la paume de votre main, étendez votre index ou votre majeur et tirez sur le levier de détente. Tout en saisissant le bouton, faites tourner la plaque tournante vers la gauche ou vers la droite jusqu'à l'angle d'onglet requis, puis relâchez le levier.
3. Serrez le bouton une fois que vous aurez atteint l'angle correct.

REMARQUE : il est recommandé de serrer le bouton de verrouillage d'onglet avant toute coupe. Il est nécessaire de serrer le bouton avant de couper à n'importe quel angle entre les engagements de détente ou quand le système de neutralisation de la détente d'onglet est activé.

Rangement de la clé hexagonale de 6/4 mm – Il existe une aire de rangement sur la scie pour ranger la clé hexagonale de 6/4 mm. Insérez le pied court de la clé hexagonale à travers l'œillet en caoutchouc comme illustré. Placez le pied long dans le support de l'outil et appuyez pour l'enfoncer dans la pince de retenue (voir Fig. 2).

REMARQUE : la clé hexagonale de 6/4 mm est nécessaire pour changer la lame et effectuer les réglages de l'outil. Si vous avez perdu cette clé, vous pouvez utiliser deux



clés différentes à sa place : une clé hexagonale de 4 mm et une clé hexagonale de 6 mm.

Insertion et retrait du bloc-piles

Faites glisser le bloc-piles **47** dans la baie de charge du bloc-piles **46** jusqu'à ce que celui-ci se verrouille en place (Fig. 3).

Votre outil est muni d'un mécanisme de verrouillage secondaire pour empêcher le bloc-piles de tomber complètement de la baie de charge au cas il s'en détacherait en conséquence des vibrations.

Pour retirer le bloc-piles, appuyez sur le bouton d'éjection du bloc-piles **48** et faites glisser le bloc-piles complètement en dehors de la baie de charge du bloc-piles (Fig. 3).

Assemblage

Retrait et installation des lames

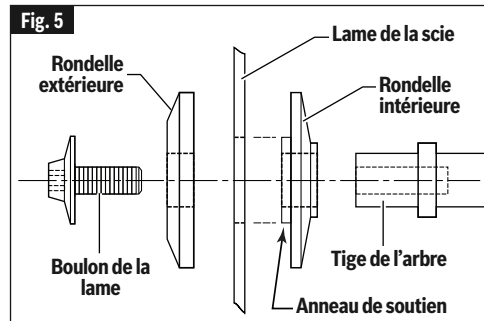
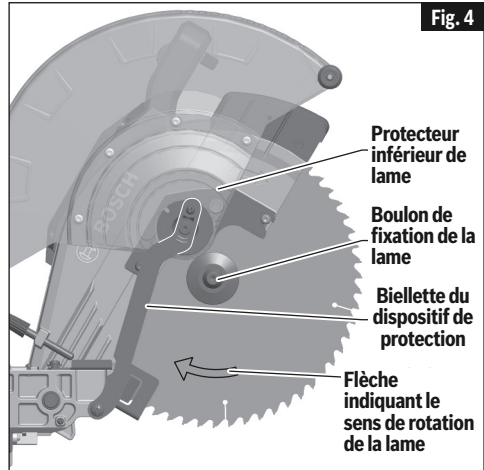
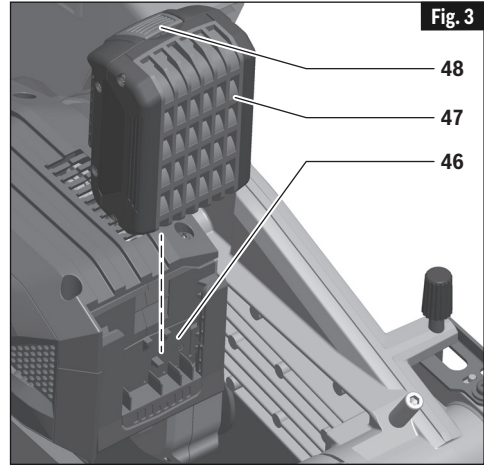
⚠ MISE EN GARDE Portez toujours des gants lorsque vous changez ou manipulez des lames. Les pointes des lames risquent de causer des blessures.

RETRAIT DE LA LAME

1. Positionnez la scie dans la position du haut (UP) et à un angle de biseau de 0°. Si elle est dans la position du bas (DOWN), appuyez légèrement sur l'ensemble de tête de la scie et retirez le goujon de verrouillage de l'ensemble de tête de la scie remonter.
2. Faites tourner le dispositif de protection inférieur de la lame jusqu'à ce qu'il existe un accès dégagé au boulon de fixation de la lame (Fig. 4).
3. Appuyez sur le verrou de l'arbre (le bouton rouge du côté opposé du dispositif de protection supérieur – article 42, page 74). Faites tourner lentement la lame tout en appuyant sur le verrou de l'arbre jusqu'à ce qu'il repose complètement dans sa position verrouillée.
4. En utilisant la clé hexagonale de 6/4 mm, desserrez le boulon de fixation de la lame en le faisant tourner fermement dans le sens des aiguilles d'une montre. REMARQUE : ce boulon a son filet vers la gauche.
5. Retirez le boulon de fixation de la lame et la rondelle extérieure. Saisissez la lame avec précaution. Faites glisser la lame dans le sens opposé à la rondelle intérieure et faites-la sortir de la tige de l'arbre, puis abaissez-la et positionnez-la à distance de la scie. Laissez la rondelle intérieure sur la tige de l'arbre (voir Fig. 5).

INSTALLATION DE LA LAME DE 12 PO (305mm)

⚠ AVERTISSEMENT Pour ne pas risquer de blessures, n'utilisez pas de lame plus grande ou plus petite que 12 po (305mm) de diamètre avec un arbre de 1 po (25,4 mm). L'épaisseur maximum de la plaque de la lame est de 0,100 po (2,54mm).



⚠ AVERTISSEMENT Pour réduire le risque de blessure, utiliser une lame homologuée

Assemblage

pour 3800 coups/min (tr-mn) ou plus.

1. Suivez toutes les étapes des instructions de déplacement de l'ensemble de dispositif de protection et de retrait de la lame.
2. Manipulez la lame neuve avec précaution. Assurez-vous que la flèche indiquant le sens de rotation sur la lame correspond à la flèche indiquant le sens de rotation sur le dispositif de protection inférieur. Faites glisser la lame vers le haut et entre les côtés du déflecteur de copeaux et au-dessus de la tige de l'arbre. Déplacez la lame de façon que le trou de son arbre soit autour de l'anneau de soutien de la rondelle intérieure (voir Fig. 4 et 5).
3. Placez la rondelle extérieure au-dessus de la tige de l'arbre, et serrez à la main le boulon de fixation de la lame (dans le sens contraire des aiguilles d'une montre). Assurez-vous que la lame repose sur l'anneau de soutien de la rondelle intérieure.
4. Faites tourner la lame lentement tout en appuyant sur le verrou de l'arbre jusqu'à ce qu'elle repose complètement en position verrouillée.
5. En utilisant la clé hexagonale de 6/4 mm, serrez fermement le boulon de fixation de la lame dans le sens contraire des aiguilles d'une montre. REMARQUE : ce boulon a son filet vers la gauche. Ne serrez pas excessivement. Une clé hexagonale de 6 mm peut être utilisée à la place.
6. Détachez la biellette du dispositif de protection inférieur de la vis de fixation de la plaque du cache arrière. Faites tourner le dispositif de protection inférieur et la plaque du cache autour de la vis de fixation de la plaque du cache avant jusqu'à ce que la fente de la plaque du cache glisse en dessous de la tête de la vis de fixation de la plaque du cache arrière. Serrez à fond les deux vis de fixation de la plaque du cache arrière en utilisant la clé hexagonale de 6/4 mm.
7. Remettez la biellette du dispositif de protection inférieur dans sa position d'origine, puis serrez fermement à la main le bouton de contrôle de la biellette sur le goujon pivotant. Il peut être nécessaire de rétracter le dispositif de protection inférieur tout en serrant le bouton

de contrôle de la biellette.

8. Assurez-vous que le verrou de l'arbre est ouvert afin que la lame puisse tourner librement.
9. Remettez la clé hexagonale de 6/4 mm dans sa zone de rangement.

⚠ AVERTISSEMENT Serrez les vis de fixation de la plaque du cache. Des vis de fixation de la plaque du cache mal serrées peuvent affecter la position et la fonction du dispositif de protection inférieur de la lame. N'utilisez jamais la scie sans que la plaque du cache soit solidement en place. Le dispositif de protection inférieur ne fonctionnerait pas correctement.

⚠ AVERTISSEMENT Après avoir installé une nouvelle lame, assurez-vous que la lame ne fait pas obstacle au placement de la plaque amovible à des angles de biseau de 0° et de 45°. Abaissez la lame dans la fente prévue à cet effet et inspectez pour déterminer s'il y a des points de contact avec la base ou la structure de la plaque tournante. Si la lame entre en contact où que ce soit avec la base ou la plaque tournante, contactez le service de soutien à la clientèle agréé.

Assemblage du système de collecte de la sciure

Le système de collecte de la sciure utilisé sur cet outil est unique en son genre parce qu'il n'est pas attaché au dispositif de protection supérieur. Ce placement assure une excellente collecte de la sciure dans la majorité des coupes. N'oubliez jamais de débrancher la scie lorsque vous procédez à un ajustement ou au retrait de quelconques composants du système de collecte de la sciure.

ATTACHEMENT ET RÉGLAGE DE LA POSITION DU SAC À SCIURE

Attachement (et enlèvement) du sac à sciure – Pour fixer le sac à poussière, serrez les deux languettes rouges ensemble et glissez le sac à poussière dans la nervure du portoir de la poussière (voir Fig. 6).

Réglage du sac à sciure – Après avoir attaché le sac, il est recommandé de faire une « coupe fictive » avant de couper un quelconque matériau avec la scie – cela sig-

Assemblage

nifie : débranchez l'outil, réglez-le en fonction de la coupe prévue et pratiquez cette coupe. Pour certaines coupes en biseau, il faudra peut-être déplacer le guide coulissant ou même le retirer complètement pour empêcher qu'il ne soit coupé lui-même ou qu'il soit mis en contact avec le sac à sciure. Il faudra peut-être aussi changer la position du sac en le faisant tourner s'il entre en contact avec l'ouvrage pendant une coupe coulissante.

UTILISATION ET NETTOYAGE DU SAC À SCIURE

Utilisation du sac à sciure – Attachez le sac propre au coude. Ajustez le coude et le sac à sciure si besoin est de façon qu'ils ne fassent pas obstacle au fonctionnement de l'outil pendant l'opération de coupe prévue.

Nettoyage du sac à sciure – Lorsque le sac à sciure sera plein aux 2/3 ou aux 3/4, détachez-le de la scie. Placez le sac dans un récipient approprié et ouvrez la fermeture à glissière située au fond du sac. Tenez le sac par son extrémité d'accouplement et secouez-le vigoureusement jusqu'à ce que toute la sciure et tous les débris en soient tombés. Fermez ensuite la fermeture à glissière et rattachiez le sac. REMARQUE : nettoyez le sac à la fin de l'opération de coupe et avant de transporter la scie ou de la ranger (voir Fig. 7).

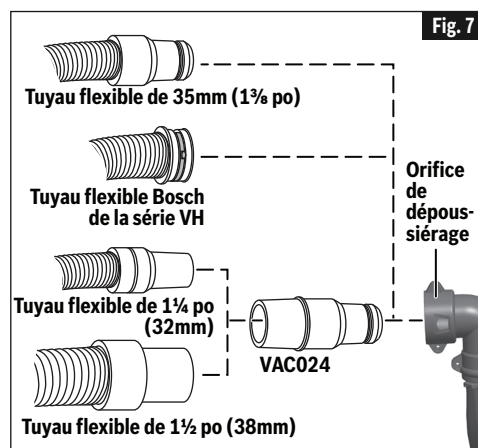
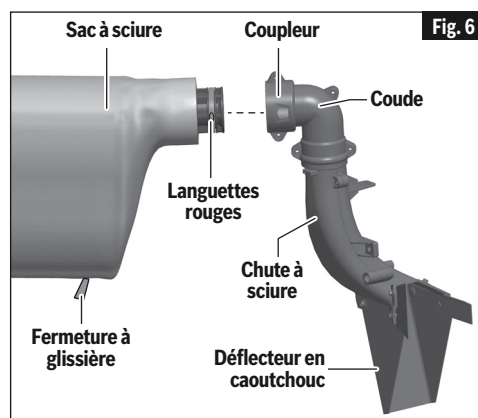
⚠ AVERTISSEMENT Faites extrêmement attention lorsque vous jetez la sciure. Certains matériaux en forme de particules fines peuvent être explosifs. Ne jetez pas de sciure de bois dans un feu. Une combustion spontanée peut se produire au bout d'un certain temps en conséquence du mélange d'huile ou d'eau avec des particules de sciure de bois.

ATTACHEMENT D'UN ASPIRATEUR/EXTRACTEUR DE POUSSIÈRE

L'orifice de dépoussiérage de la scie est compatible avec les buses typiques des tuyaux flexibles d'aspirateur de 35 mm (1-3/8 po), et celles des tuyaux flexibles Bosch de la série VH.

Pour connecter la scie avec un tuyau flexible de 1-1/4 po (32mm) ou de 1-1/2 po (38mm), l'adaptateur Bosch VAC024 (vendu séparément) peut être utilisé.

Remarque : les tailles ci-dessus indiquent les diamètres des **tuyaux flexibles** et non les diamètres des **buses**.



Raccordement à l'aspirateur – Insérez le suceur de l'aspirateur dans l'orifice de sortie aussi loin qu'il ira (Fig. 6). Vérifiez que le tuyau d'aspiration n'est pas coincé dans le mécanisme et ne se trouve pas sur la trajectoire de coupe avant de brancher la scie.

Réglages

⚠ AVERTISSEMENT Débranchez le bloc-piles avant de procéder à une quelconque opération de montage, de réglage ou de réparation afin d'éviter tout risque de blessure.

Utilisation du goujon de verrouillage de l'ensemble de tête

GOUJON DE VERROUILLAGE DE L'ENSEMBLE DE TÊTE

Le goujon de verrouillage de l'ensemble de tête article **43** est situé du côté droit du goujon pivotant **34**. Il sert à maintenir l'ensemble de tête de scie dans la position abaissée. Cette position empêche le tête de rebondir pendant le transport. Ceci rend également la scie plus compacte, ce qui facilite son levage et son rangement. Cette position est également nécessaire pour certaines procédures d'étalonnage.

POUR ENGAGER LE GOUJON DE VERROUILLAGE DE L'ENSEMBLE DE TÊTE

1. Vérifiez que la plaque de butée pour la profondeur de coupe **33** est désengagée, ou appuyée dans la position de droit.
2. Saisissez la poignée principale de la scie **3** et appuyez sur l'ensemble de tête.
3. Tout en appuyant sur la tête de la scie et en la maintenant enfoncée, appuyez sur le goujon de verrouillage de l'ensemble de tête. Relâchez l'ensemble de tête. La tête est maintenant verrouillée en position abaissée (voir Fig. 8).

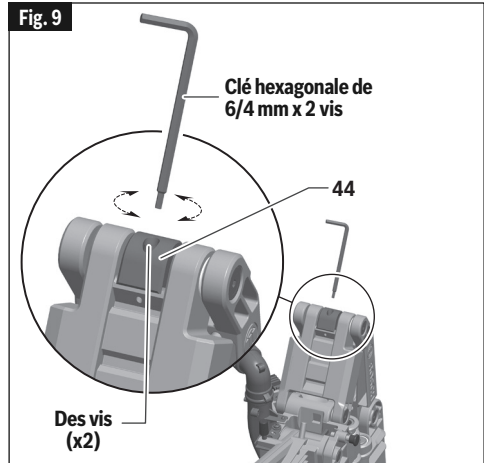
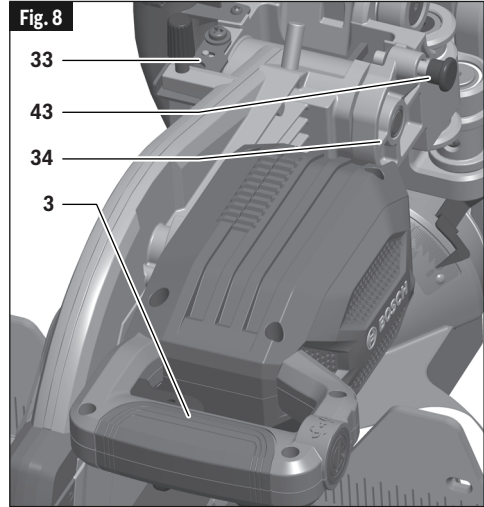
POUR DÉSENGAGER LE GOUJON DE VERROUILLAGE DE L'ENSEMBLE DE TÊTE

1. Saisissez la poignée principale et appuyez sur l'ensemble de tête.
2. Tout en appuyant sur la tête de la scie et en la maintenant enfoncée, tirez sur le goujon de verrouillage de l'ensemble de tête. Relâchez le goujon de verrouillage, mais continuez à tenir la poignée principale. Laissez la tête de scie à ressort remonter lentement jusqu'au bout de sa course, puis relâchez la poignée.

Utilisation du contrôleur du mouvement coulissant

POUR AJUSTER LE CONTRÔLEUR DU MOUVEMENT COULISSANT

84



Le contrôleur du mouvement coulissant est attaché au joint supérieur du mécanisme coulissant ; il est conçu pour contrôler la régularité du mouvement coulissant de la scie. Le contrôleur n'est pas ajusté en usine lors de son assemblage ; par conséquent, le mouvement est très régulier. Pour ajuster la régularité du mouvement coulissant, serrez ou desserrez légèrement les deux vis en haut de l'instrument en utilisant la clé hexagonale de 6/4 mm ou une clé hexagonale de 4 mm (voir Fig. 9).

Réglages

Utilisation du levier de verrouillage du mécanisme

LEVIER DE VERROUILLAGE DU MÉCANISME

Le levier de verrouillage **27** est situé sur le côté arrière gauche du mécanisme.

Quand il est engagé, il verrouille le système (article **35** – page 74) soit dans la position totalement avancée, soit dans la position totalement reculée, et il empêche tout mouvement pendant le transport de la scie. Quand elle est dans sa position totalement reculée, la scie est plus compacte, ce qui facilite son levage et son rangement. La position totalement reculée est souvent utilisée pour effectuer des coupes de cisaillement.

POUR ENGAGER LE LEVIER DE VERROUILLAGE

Avec la scie dans la position totalement reculée – (Fig. 10)

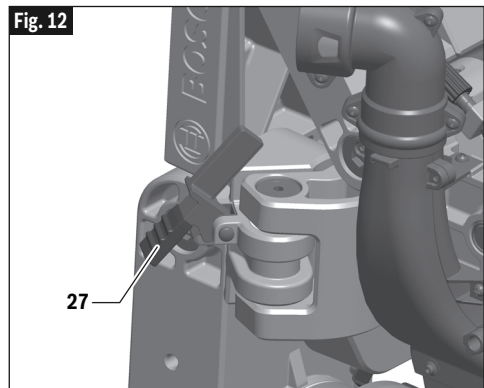
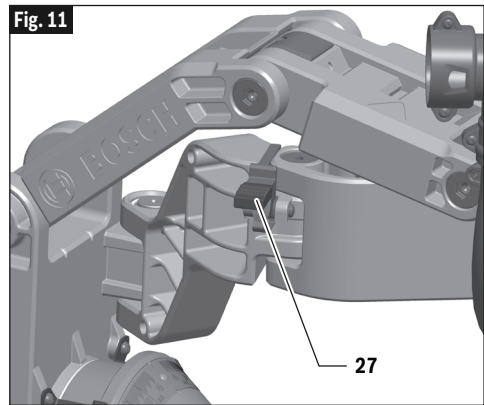
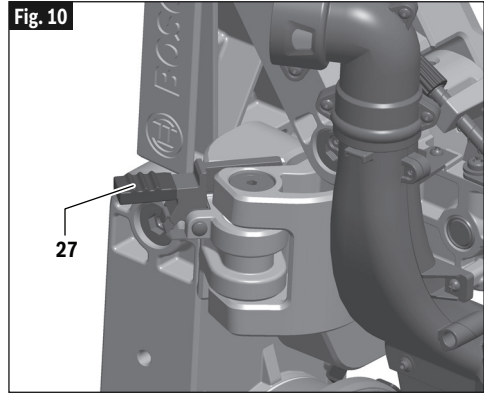
1. Saisissez la poignée principale de la scie (article **3** – page 74) et poussez (en le faisant glisser) l'ensemble de tête aussi loin que cela sera possible. Les logements du haut seront en position verticale et fermée.
2. Soulevez la languette sur le levier de verrouillage pour engager son coin dans la zone commune entre les deux logements du bas. Relâchez la languette du levier de verrouillage et la poignée principale. L'ensemble de tête est alors verrouillé en position totalement reculée.

Avec la scie dans la position totalement avancée – (Fig. 11)

1. Saisissez la poignée principale de la scie (article **3** – page 74) et tirez (en le faisant glisser) l'ensemble de tête aussi loin vers vous que cela sera possible. Le mécanisme est maintenant complètement étendu.
2. Soulevez la languette sur le levier de verrouillage pour engager son coin dans la zone commune entre les deux logements du bas. Relâchez la languette du levier de verrouillage et la poignée principale. L'ensemble de tête est alors verrouillé en position totalement avancée.

Depuis la position reculée ou avancée – (Fig. 12)

1. Saisissez la languette sur le levier de verrouillage et appuyez jusqu'à ce que son



coincote de la zone comprise entre les deux logements du bas. Relâchez votre prise ; le mécanisme est maintenant libre de glisser vers l'avant comme vers l'arrière.

Réglages

Réglage de la profondeur de coupe

Quand une nouvelle lame est installée, il peut être nécessaire de vérifier le jeu de la lame par rapport à la structure de la plaque tournante. La plaque de butée pour la profondeur de coupe doit rendre possible les coupes à profondeur non limitée (coupes normales) aussi bien que les coupes non traversantes qui servent à couper des rainures.

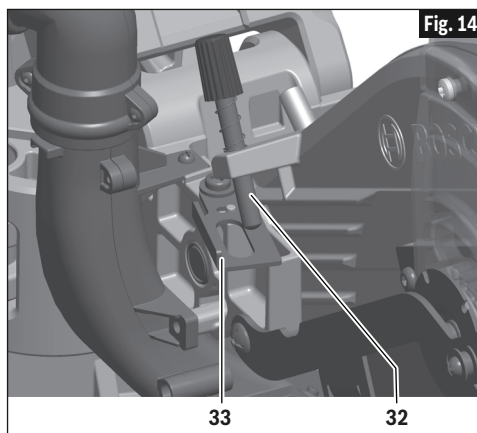
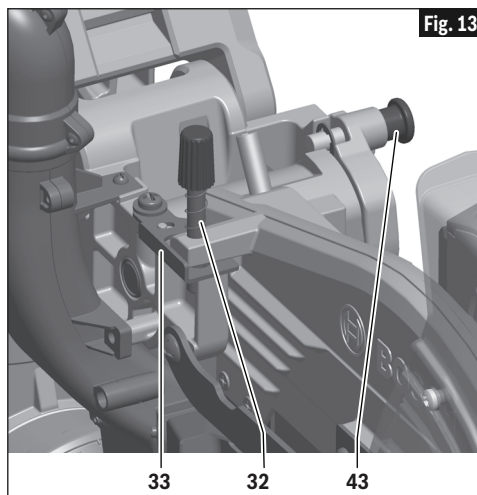
RÉGLAGE DE LA PROFONDEUR DE LA LAME POUR DES COUPES NORMALES À PROFONDEUR NON LIMITÉE

1. Lorsque vous effectuez des coupes normales à profondeur non limitée, poussez la plaque de butée pour la profondeur de coupe **33** en direction de la tête de scie (voir Fig. 13). Ceci permettra à la vis de butée de profondeur **32** de traverser entièrement le trou dans la plaque.
2. Assurez-vous que la coupe aura la profondeur désirée :
 - Fixez la table à un angle d'onglet de 0° et poussez complètement la scie en arrière.
 - Tirez sur le goujon de verrouillage de l'ensemble **43** de tête afin de le faire sortir pour le mettre en position de relâchement.
 - Appuyez sur la tête de la scie et regardez la vis de butée de profondeur passer à travers la plaque de butée sans se coincer ou sans entrer en contact avec la plaque.

RÉGLAGE DE LA PROFONDEUR DE LA LAME POUR LES COUPES NON TRAVERSANTES AFIN DE COUPER DES RAINURES

REMARQUE : pour obtenir les meilleurs résultats possibles, Bosch recommande l'utilisation d'une scie circulaire à table avec un jeu de lames à rainurer en option pour couper des rainures et pour faire des coupes non traversantes. Si une telle scie n'est pas disponible, la fonctionnalité décrite ci-dessous est une autre possibilité pratique.

1. Relâchez (en le faisant sortir) le goujon de verrouillage de l'ensemble de tête et laissez la tête de la scie monter au maximum. Faites glisser la tête de la scie



2. Tirez sur la plaque de butée pour la profondeur de coupe afin de la faire sortir de la tête de la scie (Fig. 14).
3. Saisissez la poignée principale (article **3**, page 74) et appuyez sur la tête de la scie tout en regardant la vis de butée pour la profondeur de coupe entrer en contact avec la surface du haut de la plaque de butée pour la profondeur de coupe. La vis ne dépassera au-delà de la limite du trou dans la plaque.
4. Tournez le bouton au bout de la vis de butée pour la profondeur de coupe (le bout fileté étant toujours en contact avec la plaque de butée) et regardez le bas de la lame de scie en mouvement. Cet

Réglages

ajustement permet de régler la profondeur de la coupe.

Voir page 117 pour des instructions sur la « Coupe de rainures ».

Système de détente d'onglet – Procédure de réglage

ÉTALONNAGE DU SYSTÈME DE DÉTENTE D'ONGLET

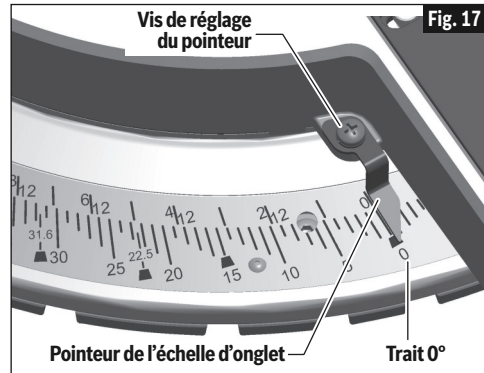
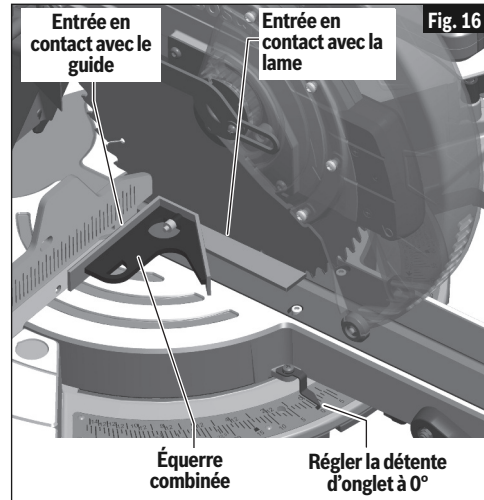
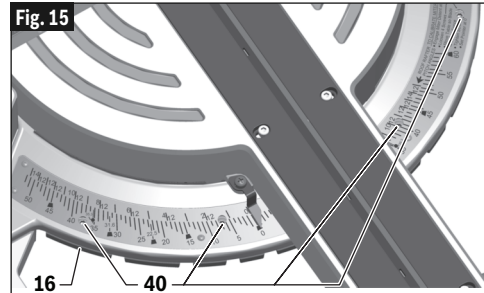
1. Engagez la détente d'onglet à la position 0°. Desserrez le bouton de verrouillage d'onglet d'un demi-tour.
2. Localisez quatre trous ronds dans la plaque de l'échelle d'onglet. Il y a une vis **40** dans chaque trou. Utilisez la petite extrémité de la clé hexagonale de 6/4 mm ou d'un clé hexagonale de 4 mm pour desserrer toutes les quatre vis d'un à deux tours. Ceci desserrera la plaque de détente d'onglet **16** (voir Fig. 15).
3. Verrouillez la scie en position abaissée au moyen du goujon de verrouillage de l'ensemble de tête (article **43** – page 74).
4. Tenez un côté d'une équerre combinée de 90° contre le guide et faites tourner la table (et la plaque de détente) jusqu'à ce que le côté de la lame de scie soit complètement en contact avec l'autre côté de l'équerre (Fig. 16).
5. Serrez toutes les quatre vis – desserrez le pointeur de l'échelle d'onglet et remettez-le dans la position « 0 ».

RÉGLAGE DU POINTEUR DE L'ÉCHELLE D'ONGLET

1. Faites tourner la table à la position 0° et verrouillez-la en place.
2. Élevez l'ensemble de tête pour le mettre dans la position la plus haute (UP).
3. Desserrez la vis de réglage du pointeur qui tient le pointeur de l'échelle d'onglet en place (voir Fig. 17).
4. Positionnez le pointeur pour l'aligner avec le trait correspondant à 0°. Serrez la vis.

Réglage des éléments amovibles pour traits de scie

Les éléments amovibles pour traits de scie doivent être ajustées près de la lame, mais sans toucher la lame afin de ne pas risquer



d'endommager le bas de l'ouvrage.

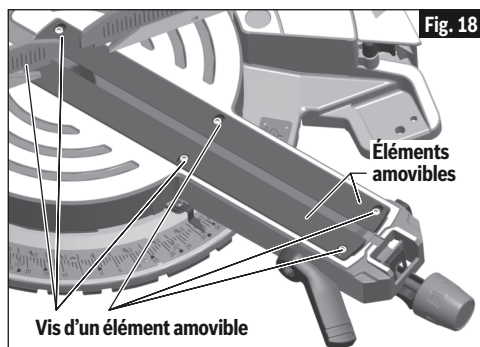
1. Maintenez l'ensemble de tête de scie enfoncé et appuyez sur le goujon de verrouillage de l'ensemble de tête (article **43** – page 74) pour maintenir la scie en position abaissée (DOWN).
2. Desserrez les six vis pour les entailles de

Réglages

direction du trait de scie en utilisant la clé hexagonale de 6/4 mm fournie (Fig. 18).

3. Ajustez les éléments amovibles pour traits de scie aussi près de la lame (dents) que possible sans contact avec la lame.
4. Serrez les vis des éléments amovibles pour traits de scie.

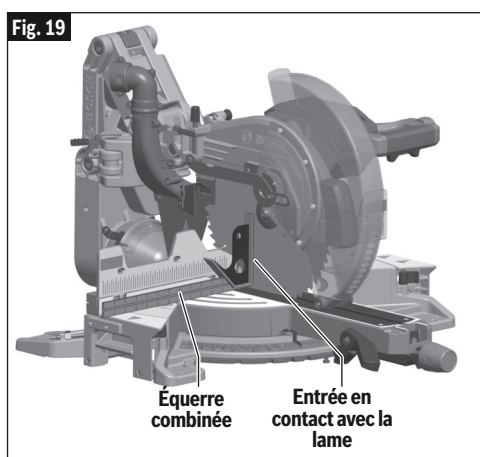
REMARQUE : si les angles de biseau sont extrêmes, la lame de la scie risque d'entailler légèrement l'élément amovible pour traits de scie.



Butée de biseau à 0° – Procédure de réglage

VÉRIFICATION DU RÉGLAGE DE LA BUTÉE DE BISEAU À 0°

1. Maintenez l'ensemble de tête de scie enfoncé et appuyez sur le goujon de verrouillage de l'ensemble de tête (article 43 – page 74) pour maintenir la scie en position abaissée (DOWN).
2. Faites glisser l'ensemble de tête complètement vers l'arrière et engagez le levier de verrouillage (article 27 – page 74) en soulevant la languette en forme de doigt.
3. Faites tourner la table pour la mettre en position d'onglet de 0°.
4. Tirez sur le levier de verrouillage du biseau (vers le haut) pour desserrer.
5. Vérifiez la position du bouton du sélecteur de plage de biseau ; il devrait être dans la position « 0-45° à gauche ».
6. Inclinez l'ensemble de scie vers la gauche (dans le sens contraire des aiguilles d'une montre), puis faites-le tourner vers la droite (dans le sens des aiguilles d'une montre) jusqu'à ce qu'il atteigne la butée en position verticale – c'est l'endroit où la scie est réglée alors pour faire une coupe à 0°.
7. Appuyez sur le levier de verrouillage du biseau pour verrouiller la position angulaire.

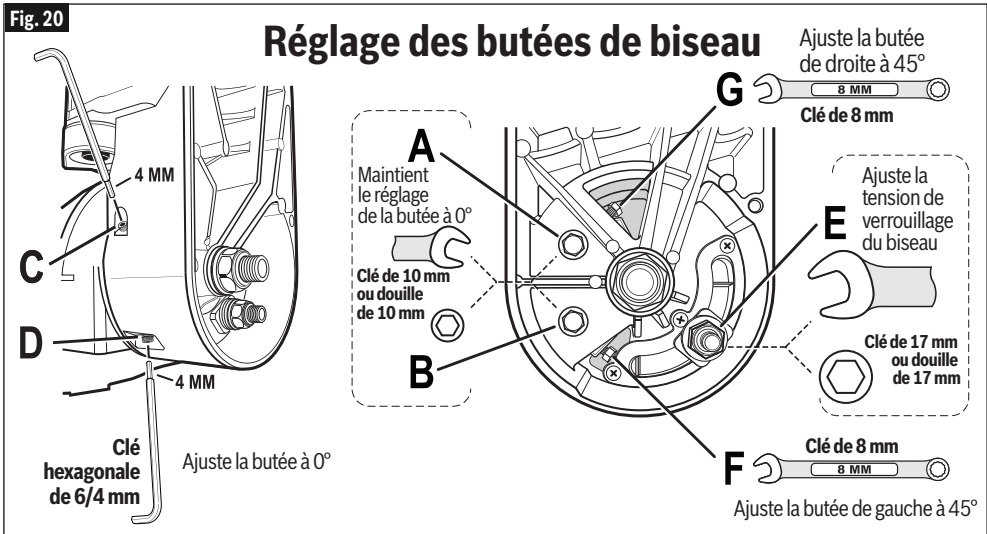


8. Utilisez une équerre combinée pour vous assurer que la lame est à 90° par rapport à la table (à angle droit). Placez le bord de la règle de l'équerre contre la table et faites-la glisser pour que la lame entre en contact avec le côté vertical de la tête de l'équerre (voir Fig. 19).
9. Assurez-vous que la plaque de la lame de scie (pas les dents) est en contact avec le côté à 90° de l'équerre. Si la plaque de la lame de scie n'est pas entièrement en contact avec le côté à 90° du corps de l'équerre, suivez les procédures de « Réglage de la butée de biseau à 0° ».

Réglages

RÉGLAGE DE LA BUTÉE DE BISEAU À 0° (LAME À 90° PAR RAPPORT À LA TABLE)

1. Tirez sur le levier de verrouillage du biseau pour desserrer.
2. Desserrez les têtes des boulons « A » et « B » en utilisant une douille (avec une clé à douille) ou une clé à molette de 10 mm. Desserrez les boulons d'au moins un tour complet (voir Fig. 20).
3. Desserrez la vis de réglage « D » en utilisant le bout de 4 mm de la clé hexagonale de 6/4 mm (fournie avec l'outil, mais qui peut être remplacée par une clé hexagonale de 4 mm standard). Desserrez la vis d'au moins trois tours complets.
4. Placez l'équerre combinée sur la table et contre la lame (voir Fig. 19).
5. En utilisant le bout de 4 mm de la clé hexagonale, tournez la vis de réglage « C » et regardez la lame de la scie s'incliner. Tournez la vis « C » jusqu'à ce que la lame soit alignée (totalement en contact) avec le bord du corps de l'équerre. Retirez la clé hexagonale après l'alignement.
6. Serrez la vis de réglage « D » au moyen de la clé hexagonale de 4 mm.
7. Serrez les têtes des boulons « A » et « B » en utilisant une clé à molette de 10 mm.
8. Ajustez les pointeurs de l'échelle de biseau (article 36 – page 74) pour qu'ils soient alignés avec les traits à 0° de l'échelle de biseau.
9. Appuyez sur le levier de verrouillage du biseau pour verrouiller.

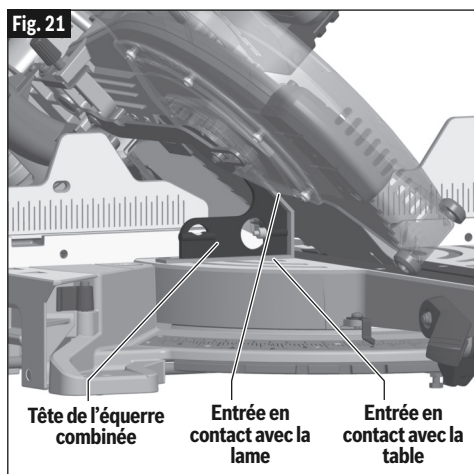


Réglages

Butée de biseau à 45° – Procédure de réglage

VÉRIFICATION DU RÉGLAGE DE LA BUTÉE DE BISEAU À 45°

1. Maintenez l'ensemble de tête de scie enfoncé et appuyez sur le goujon de verrouillage de l'ensemble de tête (article **43** – page 74) pour maintenir la scie en position abaissée (DOWN).
2. Faites glisser l'ensemble de tête complètement vers l'arrière et engagez le levier de verrouillage (article **27** – page 74) en soulevant la languette en forme de doigt.
3. Faites tourner la table pour la mettre en position d'onglet à 0°.
4. Tirez sur le levier de verrouillage du biseau pour déverrouiller. Déplacez le guide coulissant de gauche à fond vers la gauche.
5. Vérifiez la position du bouton du sélecteur de plage de biseau ; il doit être dans la position « 0-45° gauche ».
6. Inclinez l'ensemble de scie vers la gauche (dans le sens contraire des aiguilles d'une montre) jusqu'à ce qu'il atteigne la butée de 45° – c'est l'endroit où la butée à 45° de la scie est réglée alors pour faire une coupe en biseau à 45° vers la gauche.
7. Utilisez une équerre combinée pour vous assurer que la lame est à un angle de 45° par rapport à la table. Retirez la lame de la règle de l'équerre combinée. Placez seulement la tête de l'équerre combinée sur la table de la scie de façon que son côté plat long repose sur la table et que son côté à 45° soit contre la lame inclinée (voir Fig. 21).
8. Assurez-vous que seule la plaque de la lame de scie (pas les dents) est en contact avec le côté à 45° de l'équerre. Si la plaque de la lame de scie n'est pas totalement en contact avec le côté à 45° de la tête de l'équerre, suivez les procédures de « Réglage de la butée de biseau à 45° ».

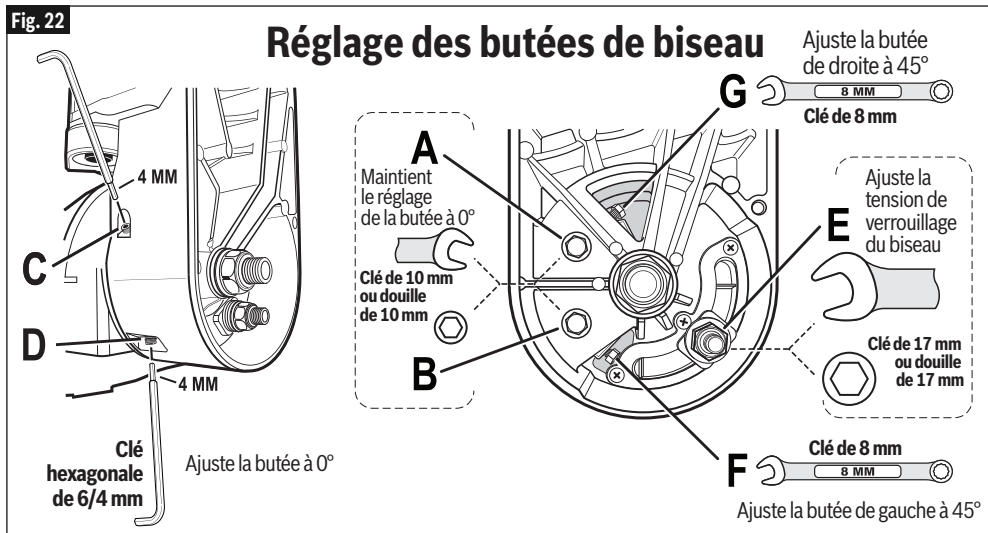


Réglages

RÉGLAGE DE LA BUTÉE DE BISEAU À 45° (LAME DE LA SCIE À 45° PAR RAPPORT À LA TABLE)

1. Tirez sur le levier de verrouillage du biseau pour déverrouiller. Faites glisser le guide coulissant de gauche à fond à gauche.
2. Inclinez l'ensemble de scie vers la gauche (dans le sens contraire des aiguilles d'une montre) jusqu'à ce qu'il atteigne la butée à 45°.
3. Placez seulement la tête de l'équerre combinée sur la table de la scie de façon que son côté plat long repose sur la table et que son côté à 45° soit contre la lame inclinée.
4. Placez une clé à molette de 8 mm sur la tête du boulon « F » (voir Fig. 22).
5. Tout en tournant le boulon « F », regardez la lame s'incliner – tournez « F » jusqu'à ce que la plaque de la lame de scie soit totalement en contact avec le côté à 45° de la tête de l'équerre (voir Fig. 21).
6. Si nécessaire, ajustez les pointeurs de l'échelle de biseau (article 36 – page 74) pour qu'ils soient alignés avec les traits à 45° de l'échelle de biseau. Pour commencer, ajustez le pointeur de biseau de droite ; puis inclinez la tête de la scie au niveau de la position de la butée à 45° de droite (voir page 113 – « Plage de biseau 2 = 0-45° à droite ») et ajustez le pointeur de biseau de gauche. Inclinez la tête de la scie au niveau de la position 0° – les deux pointeurs doivent être alignés avec les traits à 0° de l'échelle de biseau.
7. Appuyez sur le levier de verrouillage du biseau pour verrouiller à l'angle de biseau désiré.

Fig. 22



Réglages

Réglage de la tension de verrouillage du biseau

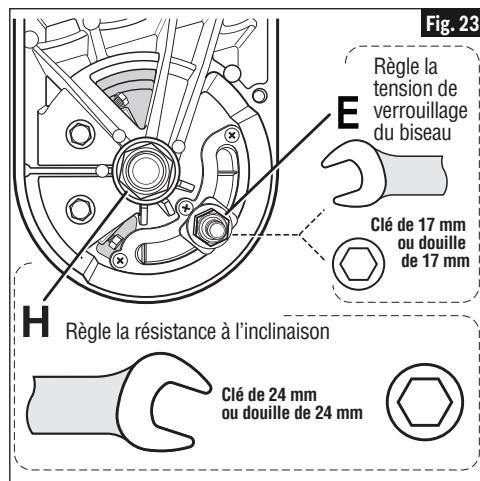
VÉRIFICATION DE LA TENSION DE VERROUILLAGE DU BISEAU

1. Tirez sur le levier de verrouillage du biseau pour relâcher la tension. S'il semble résister excessivement à ce mouvement, cela signifie qu'un réglage est probablement recommandé.
2. Vérifiez la résistance à l'inclinaison. Saisissez la poignée principale et inclinez lentement la scie vers la gauche. Vous devriez constater un peu de résistance initialement pendant que vous inclinez celle-ci. À environ 30°, la résistance devrait diminuer. Si vous ne constatez pas la moindre résistance, cela signifie qu'un réglage est probablement recommandé.
3. Vérifiez la tension de verrouillage du biseau. Appuyez sur le levier de verrouillage du biseau – normalement, il est nécessaire d'appliquer plus de pression au début ; ensuite, le levier devrait s'abaisser complètement en position de verrouillage avec un bruit sourd.
 - A) S'il est trop difficile d'appuyer à fond sur le levier pour l'abaisser complètement, cela signifie qu'un réglage de la tension est probablement recommandé.
 - B) Vérifiez la puissance de verrouillage : inclinez la scie à environ 30° et appuyez sur le levier de verrouillage du biseau. Appuyez fermement sur le côté droit de la tête de la scie – si la tête de la scie s'incline de plus de 1/2° par rapport à la position verrouillée, cela signifie qu'un réglage de la tension de verrouillage du biseau est probablement recommandé.

RÉGLAGE DE LA TENSION DE VERROUILLAGE DU BISEAU

La tension du levier de verrouillage du biseau a été réglée en usine. Il peut être nécessaire de procéder à un réglage de l'outil après une période d'emploi intensif. Il faut fixer la résistance à l'inclinaison avant de régler la tension.

1. Tirez sur le levier de verrouillage du biseau pour relâcher la tension.
2. **Réglage de la résistance à l'inclinaison** (voir point 2 ci-dessus).



- A) Si la résistance est trop faible, serrez légèrement (1/16e de tour) le grand contre-écrou « H » au moyen d'une clé ou d'une douille de 24 mm.
 - B) Si la résistance est trop forte, desserrez légèrement (1/16e de tour) le grand contre-écrou « H » au moyen d'une clé ou d'une douille de 24 mm.
3. **Réglage de la tension** (voir points 1 et 3 ci-dessus) Tirez sur le levier de verrouillage du biseau ou appuyez dessus.
 - A) S'il est trop difficile de tirer sur le levier ou d'appuyer dessus, il est possible de réduire la tension en utilisant une clé ou une douille de 17 mm pour desserrer le contre-écrou « E » (d'un 1/8e de tour). Vérifiez à nouveau alors.
 - B) S'il est trop facile de tirer sur le levier ou d'appuyer dessus, ou si la tête de la scie ne se verrouille pas complètement à un paramètre de réglage du biseau, il est possible d'augmenter la tension en utilisant une clé ou une douille de 17 mm pour serrer le contre-écrou « E » (d'un 1/8e de tour). Vérifiez à nouveau alors.

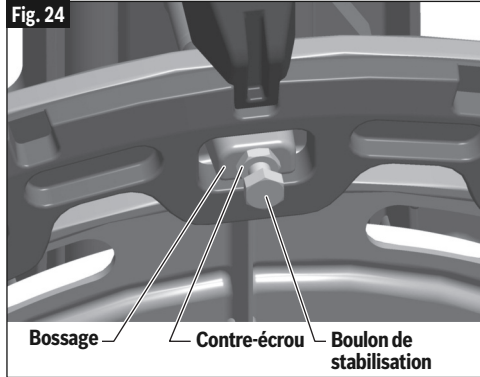
Réglages

Réglage du boulon de stabilisation avant

Le boulon de stabilisation avant est situé sur le dessous de la base de la scie, près de la fente de détente d'onglet à 0° (Fig. 24). Il fournit un support additionnel pour les coupes coulissantes.

Le boulon de stabilisation a été réglé à l'usine. Suivez la procédure ci-dessous s'il est desserré ou s'il a besoin d'un nouveau réglage :

1. Déplacez la scie de façon que vous ayez un accès facile au boulon de stabilisation. Desserrez le boulon de stabilisation et le contre-écrou en utilisant une clé de 10 mm.
2. Remettez la scie sur votre table de travail. Dévissez l'écrou de stabilisation jusqu'à ce qu'il entre en contact avec la table.
3. Déplacez la scie à nouveau de façon que vous ayez accès au boulon de stabilisation. Tout en tenant la tête du boulon avec une pince ou une clé de 10 mm, utilisez une clé à fourche de 10 mm pour serrez à fond le contre-écrou contre le bossage de la base de la scie.



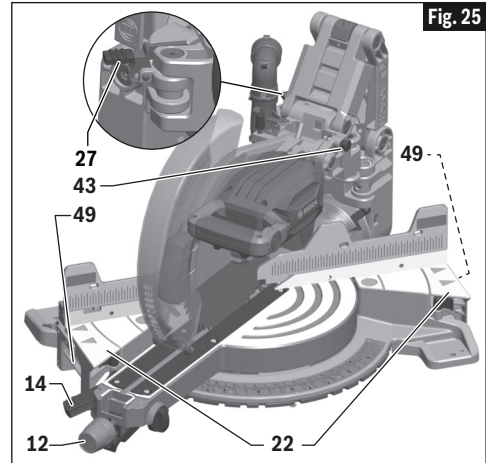
Transport et montage

⚠ AVERTISSEMENT Débranchez le bloc-piles avant de procéder à une quelconque opération de montage, de réglage ou de réparation afin d'éviter tout risque de blessure.

⚠ AVERTISSEMENT Pour ne pas risquer de vous blesser, suivez toutes les consignes de sécurité identifiées ci-dessous par le symbole (•) (gros point noir).

- **Ne soulevez jamais cette scie en saisissant les extensions de la base quand elles sont dans leur position allongée.**
- **Débranchez le cordon électrique et enroulez-le.** Utilisez le crochet et la broche pour enroulement pour ranger le cordon enroulé.
- **Ne soulevez jamais la scie en saisissant l'une des parties du mécanisme.** La scie risquerait de bouger et de causer de graves blessures à votre main et à vos doigts.
- **Pour ne pas risquer de vous faire mal au dos, tenez l'outil près de votre corps quand vous le soulevez.** Pliez les genoux de façon à vous permettre de soulever avec vos jambes, pas avec votre dos. La méthode préférée consiste à soulever la scie depuis l'arrière. Ceci inclinera l'outil dans le sens de votre corps.
- **Ne soulevez jamais l'outil en tenant la poignée de l'interrupteur.** Ceci risquerait de causer des dommages graves.
- **Ne soulevez jamais la scie à onglet par le cordon d'alimentation électrique ou par la poignée opérationnelle.** Si vous tentez de soulever l'outil ou de le transporter par son cordon d'alimentation vous endommagerez l'isolation et les connecteurs, ce qui causera un choc électrique ou un incendie.
- **Placez la scie sur une surface horizontale ferme où il y a beaucoup de place pour manipuler et supporter adéquatement l'ouvrage.**

NE soulevez cette scie QUE par ses poignées de transport incorporées de chaque côté du fond de la base (voir Fig. 25).



POUR SOULEVER LA SCIE PAR L'ARRIÈRE

1. Réglez l'angle de biseau à 0° et verrouillez en place en utilisant le levier de verrouillage du biseau **14**.
2. Faites tourner la table jusqu'à sa position la plus à gauche possible et verrouillez-la en place avec le bouton de verrouillage d'onglet **12**.
3. Repoussez la tête de la scie vers l'arrière et verrouillez-la dans la position abaissée en utilisant le goujon de verrouillage de l'ensemble de tête **43**.
4. Engagez le levier de verrouillage du mécanisme **27** de façon à verrouiller la scie dans sa position rétractée.
5. Assurez-vous que chaque extension de la table de base **22** est en position fermée et qu'elle est verrouillée en place.
6. Utilisez les deux mains et penchez-vous pour saisir chaque poignée de transport intégrée **49**. Dans la mesure du possible, soulevez la scie depuis l'arrière.

Transport et montage

Applications de montage

⚠ AVERTISSEMENT Soyez certain que la scie à onglet est montée ou posée sur une surface de travail ferme et de niveau avant de l'utiliser. Une telle surface réduit le risque que la scie à onglet devienne instable.

ATTACHEMENT PERMANENT SUR UN BANC DE TRAVAIL

1. Chacun des quatre trous de montage doit être boulonné solidement à l'aide de boulons de 5/16 po (M8), de rondelles d'arrêt et d'écrous hexagonaux (non fournis) (Fig. 26).
2. Repérez et marquez l'emplacement du montage de la scie.
3. Percez quatre (4) trous de 5/16 po (8mm) de diamètre à travers l'établi.
4. Placez la scie à onglet sur l'établi en alignant les trous de la base sur ceux percés dans l'établi. Posez des boulons, des rondelles d'arrêt et des écrous hexagonaux.

AUTRE FAÇON D'ATTACHER LA SCIE

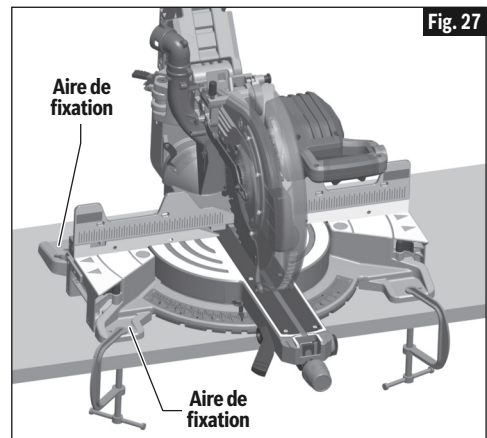
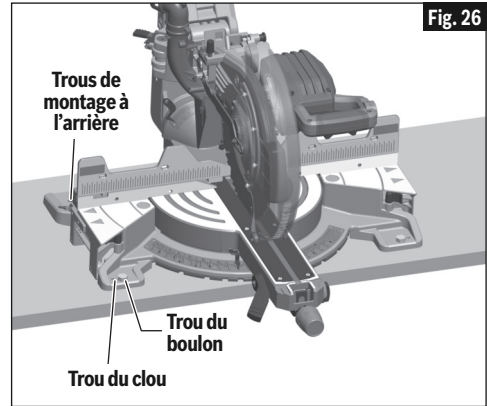
Les petits trous de montage à chaque coin peuvent être utilisés pour des clous ou des vis pour cloison sèche longues.

La surface d'appui où la scie doit être montée doit être examinée soigneusement après le montage pour s'assurer qu'il ne pourra y avoir aucun mouvement durant l'usage. En cas de basculement ou d'avance, fixez solidement l'établi ou le support avant d'utiliser la scie à onglet composée.

⚠ MISE EN GARDE Faites attention de ne pas enfoncer excessivement le clou ou de ne pas trop serrer le boulon. Ceci risquerait de fissurer le pied ou d'endommager la base.

MONTAGE TEMPORAIRE AU MOYEN DE BRIDES DE FIXATION

- Si besoin est, cramponnez la scie à onglet à un établi ou à une table
- Placez au moins deux (2) serre-joints en C sur les surfaces de cramponnage et fixez solidement (Fig. 27). Il y a des aires de fixation par des brides aux quatre coins de la scie.



- Faites attention de ne pas placer les serre-joints au-dessus des leviers de blocage des rallonges de l'embase (Fig. 27).
- Le montage avec des serre-joints empêchera d'utiliser les angles d'onglet importants.

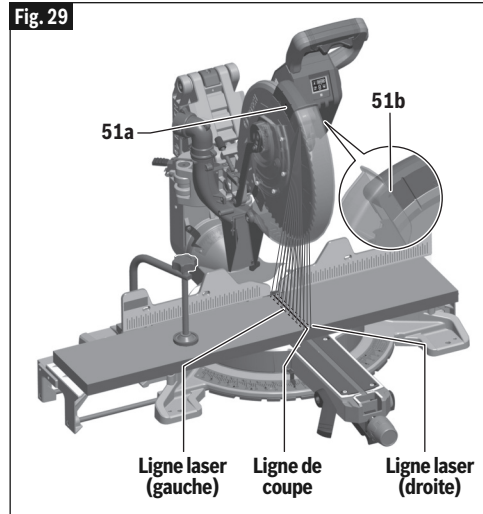
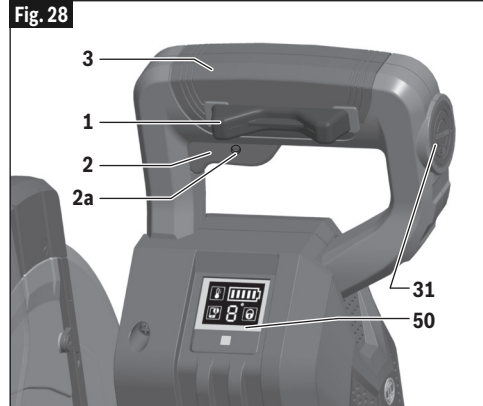
Préparation pour les opérations de la scie

⚠ AVERTISSEMENT Débranchez le bloc-piles avant de procéder à une quelconque opération de montage, de réglage ou de réparation afin d'éviter tout risque de blessure.

Actionnement de l'interrupteur

Pour raisons de sécurité, le levier interrupteur est conçu pour éviter les démarrages intempestifs. Pour actionner l'interrupteur de sécurité **2**, enfoncez le bouton de déverrouillage du blocage de l'interrupteur **1** sur arrêt avec un pouce pour déverrouiller le blocage puis tirez sur le levier de l'interrupteur et relâchez le bouton (voir Fig. 28). Quand on relâche le levier de l'interrupteur, le bouton de déverrouillage du blocage sur arrêt de l'interrupteur s'enclenche automatiquement et empêche à nouveau l'actionnement du levier de l'interrupteur jusqu'à ce qu'un des boutons de déverrouillage du blocage sur arrêt soit à nouveau enfoncé.

REMARQUE : Le trou à cadenas **2a** peut recevoir un cadenas avec une manille longue d'un diamètre pouvant atteindre 8 mm / 5/16 po (non fourni avec la scie à onglets) pour empêcher toute utilisation non autorisée.



Éclairage à DEL incorporé

Votre outil est muni d'un puissant dispositif d'éclairage à DEL pour améliorer la visibilité lorsque vous êtes en train de couper. La lampe peut s'allumer lorsque la gâchette est enfoncée seulement partiellement (Fig. 28). La lumière restera allumée pendant 30 secondes après que la gâchette a été relâchée. Ceci permet à la coupe d'être plus visible avant que la lame de la scie ne commence à tourner.

Guide de la ligne laser

⚠ MISE EN GARDE Rayonnement laser. Ne pas exposer les utilisateurs d'équipements optiques télescopiques. Produit laser de classe 1M.

Votre outil est muni d'un guide de ligne laser qui s'allumera lorsque la gâchette sera partiellement enfoncée.

RÉGLAGE DE LA LIGNE LASER

- Assurez-vous que la table est réglée dans la position d'onglet à 0° et verrouillée.
- Faites glisser l'ensemble de tête aussi loin que possible vers l'arrière. Dessinez une ligne de coupe droite sur l'ouvrage. Abaissez lentement l'ensemble de tête en utilisant la poignée principale.
- Positionnez l'ouvrage de telle façon que les dents de la lame de la scie soient alignées sur la ligne de coupe. Maintenez l'ouvrage dans cette position et guidez lentement l'ensemble de tête vers le haut à nouveau. Sécurisez l'ouvrage.
- Allumez le faisceau laser en appuyant sur la gâchette sans appuyer sur le bouton

Préparation pour les opérations de la scie

de verrouillage en position désactivée (Fig. 28). Le faisceau laser doit être aligné sur la ligne de coupe sur toute la longueur de l'ouvrage (Fig. 29).

Si un ajustement est nécessaire, faites tourner les vis de réglage à gauche **51a** et à droite **51b** avec une clé Allen hexagonale de 2,5 mm jusqu'à ce que les faisceaux laser soient alignés sur le trait de coupe sur l'ouvrage.

Un tour complet de la vis de réglage dans le sens contraire des aiguilles d'une montre déplace le faisceau laser de la gauche vers la droite ; un tour complet de la vis de réglage dans le sens des aiguilles d'une montre déplace le faisceau laser de la droite vers la gauche.

Interface utilisateur (Fig. 30)

L'interface utilisateur **50** est utilisée pour sélectionner les niveaux de vitesse présélectionnés et pour indiquer le statut de l'outil électrique et des piles.

MODE ECO

Quand il n'est pas nécessaire d'utiliser la scie à sa puissance maximale, son mode ECO pour réaliser des économies de consommation d'énergie peut être utilisé afin de réduire la puissance de la scie et de prolonger son autonomie de fonctionnement.

Si le mode ECO est activé, l'indicateur de niveau de vitesse/mode **50d** affiche le symbole « E », et l'icône « ECO » **50b** s'allume.

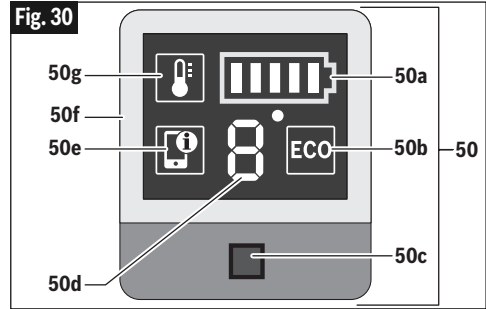
PRÉSÉLECTION DE LA VITESSE

Les paramètres de réglage de la vitesse et le mode ECO sont préprogrammés, et ils peuvent être ajustés au moyen de l'appli « Bosch Toolbox ». Pour obtenir plus de renseignements sur l'appli « Bosch Toolbox », référez-vous au chapitre « Connectivité » à la page suivante. Le tableau ci-dessous décrit les vitesses présélectionnées et la vitesse dans le mode ECO.

	Vitesses présélectionnées
Eco	2550 /min
1	3000 /min
2	3500 /min
3	4000 /min

INDICATEUR DE CHARGE DE LA PILE

Quand l'indicateur de charge des piles **50a** brille en **vert**, cela signifie que les piles sont chargées, et le nombre de barres montre le



niveau de la charge.

Si il brille de façon continue **en jaune** et s'il n'y a qu'une seule barre, cela signifie que la pile doit être chargée ou remplacée très bientôt.

Si il brille de façon continue **en rouge** et s'il n'y a qu'une seule barre, cela signifie que la pile est complètement déchargée.

INDICATEUR DE TEMPÉRATURE

Si l'indicateur de température **50g** brille de façon continue **en jaune**, cela signifie que la température critique du moteur, de l'électronique ou de la pile a été atteinte. Faites fonctionner l'outil électrique à vide et laissez-le refroidir.

Si l'indicateur de température brille de façon continue **en rouge**, cela signifie que l'outil électrique est en état de surchauffe et qu'il s'éteindra. Attendez que l'outil électrique ait suffisamment refroidi.

INDICATEUR DE NOTIFICATION DU TÉLÉPHONE INTELLIGENT

Il est nécessaire d'acheter et d'installer un module de connectivité Bosch et d'installer l'appli « Bosch Toolbox » pour recevoir des informations et des messages en conséquence des alertes de l'indicateur de statut du smartphone. Voir le chapitre « Connectivité » à la page suivante.

L'indicateur de statut du smartphone (voyant **vert**) **50e** indique que des informations non essentielles sont disponibles dans l'appli « Bosch Toolbox » à l'intention de l'utilisateur.

L'indicateur de statut du smartphone (voyant **jaune**) **50e** indique que des informations importantes sont disponibles (p. ex., avertissement relatif à la température).

L'indicateur de statut du smartphone (voyant **rouge**) **50e** indique que des informations cruciales sont disponibles. Il est

Préparation pour les opérations de la scie

recommandé que l'utilisateur lise immédiatement le message.

CADRE INDICATEUR DE L'ÉTAT DE FONCTIONNEMENT DE L'OUTIL ÉLECTRIQUE

La **lumière verte** du cadre de statut de l'outil électrique **50f** signifie que tout fonctionne correctement.

La **lumière jaune** signifie que :

- Une température critique a été atteinte (le voyant de température **50g** brille également en jaune) – faites fonctionner l'outil à vide et laissez-le refroidir, ou
- Les piles sont presque complètement déchargées (le voyant de charge des piles **50a** brille également en jaune) – chargez ou remplacez les piles dès que possible.

La **lumière rouge** signifie que :

- L'outil est surchauffé (le voyant de température **50a** brille en rouge) – éteignez l'outil et rallumez-le, ou
- Les piles sont déchargées (le voyant de charge des piles **50a** brille également en rouge) – chargez ou remplacez les piles.

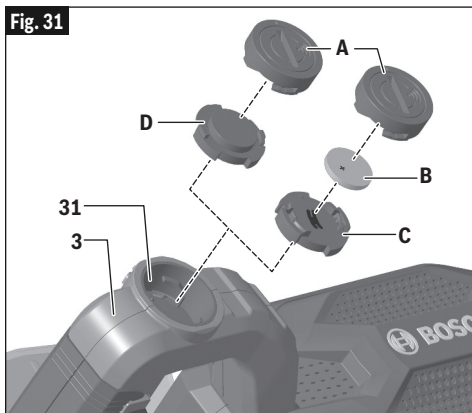
Le **voyant bleu clignotant** signifie que l'outil électrique est connecté à un dispositif mobile ou que les paramètres de réglage sont en train d'être transférés. L'utilisateur doit appuyer sur le bouton d'interface utilisateur **50c** pour accepter et enregistrer le(s) nouveau(x) paramètre(s).

Connectivité

⚠ AVERTISSEMENT Pour réduire le risque de blessure, lisez les instructions d'utilisation qui sont jointes au module de connectivité Bosch. Les instructions d'utilisation pour le module de connectivité contiennent des informations importantes qui ne sont pas couvertes dans ce mode d'emploi.

Cet outil électrique a la capacité d'utiliser Bluetooth, et certaines fonctionnalités peuvent être ajustées à distance en utilisant un dispositif mobile. L'utilisation de ces fonctionnalités nécessite l'installation d'un module de connectivité Bosch Bluetooth et d'un dispositif mobile avec l'appli Bosch Toolbox installée.

Si le module de connectivité n'est pas acheté avec l'outil, ou si le remplacement



du module ou des piles devient nécessaire, veuillez suivre cette procédure (voir Fig. 31) :

- Inclinez l'ensemble de tête vers la gauche pour simplifier le processus.
- En utilisant un tournevis à lame plate ou une pièce de monnaie, retirez le couvercle **A** du compartiment du module de connectivité **31** situé du côté de la poignée **3** en tournant d'un quart de tour dans le sens contraire des aiguilles d'une montre.
- Si l'outil est déjà muni du module de connectivité, retirez la pile **B** mais pas le module de connectivité **C**.
- Si le module de connectivité est installé pour la première fois, retirez le support de mise en place en plastique **D** du compartiment du module de connectivité et placez le module de connectivité **C** dans le compartiment en respectant l'orientation correcte. **Remarque** : Rangez le support de mise en place **D** en lieu sûr. Réinsérez le support de mise en place si le module de connectivité est retiré.
- Puis placez la nouvelle pile **B** sur le module de connectivité avec la polarité « + » orientée vers le haut.
- Placez le couvercle **A** sur la pile et tournez d'un 1/4 de tour dans le sens des aiguilles d'une montre pour verrouiller en utilisant un tournevis à lame plate ou une pièce de monnaie.

UTILISATION DE L'APPLICATION « BOSCH TOOLBOX »

L'appli « Bosch Toolbox » peut être

Préparation pour les opérations de la scie




téléchargée depuis l'App Store ou Google Play.

Installez l'appli « Bosch Toolbox » sur votre dispositif mobile ou assurez-vous que vous utilisez bien la toute dernière version de l'appli.

Lancez l'appli « Bosch Toolbox » sur votre dispositif mobile et cliquez sur l'icône/le titre « My Tools » (Mes outils). Suivez les instructions de l'appli pour apparier l'outil avec le dispositif mobile.

RÉSUMÉ DES AVANTAGES DU MODULE DE CONNECTIVITÉ ET DE L'APPLICATION

Quand elle est utilisée avec le module de connectivité, l'appli « Bosch Toolbox » permettra de faire ce qui suit avec l'outil :

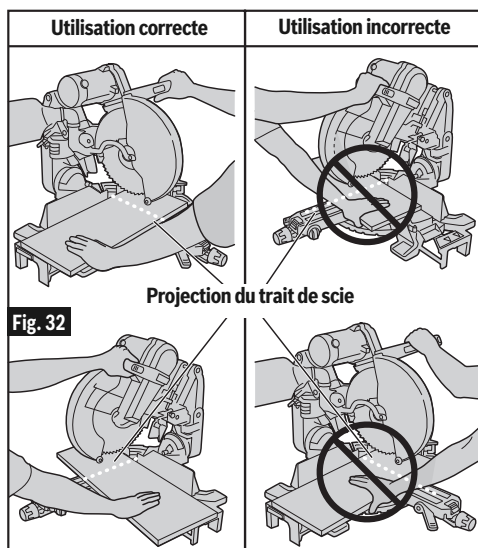
- Enregistrement et personnalisation
 - Vérification du statut et messages d'avertissement
 - Informations générales et paramètres
 - Réglage des niveaux de vitesse
-  Le bouton d'aide (Help) sur l'appli explique les fonctionnalités de l'appli.
-  Le bouton Info sur l'appli affiche des informations sur l'outil et ses spécifications.
-  Le bouton d'alerte affiche toutes les alertes reçues de la l'outil.

Préparation pour les opérations de la scie

Position du corps et des mains

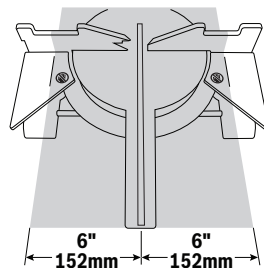
⚠ AVERTISSEMENT Positionnez votre corps et vos mains adéquatement pour rendre la coupe plus facile et plus sûre. Observez les instructions suivantes. Vous risquez de subir des blessures graves si vous ne respectez pas toutes les consignes de sécurité identifiées ci-après par le symbole (•) (gros point) (voir Fig. 32)

- Ne placez jamais les mains près de la zone de coupe. Ne mettez pas les mains ou les bras dans la zone interdite aux mains.

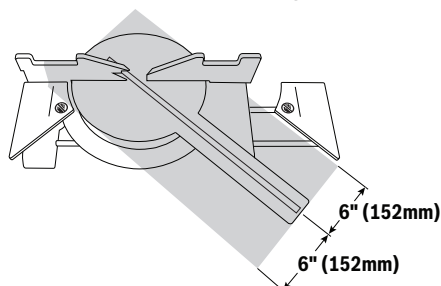


La « zone interdite aux mains » est une zone de 6 pouces (152mm) de largeur sur les côtés gauche et droit de la trajectoire de coupe de la lame. Une portion du guide dans cette zone est aussi considérée comme appartenant à la « zone interdite aux mains ».

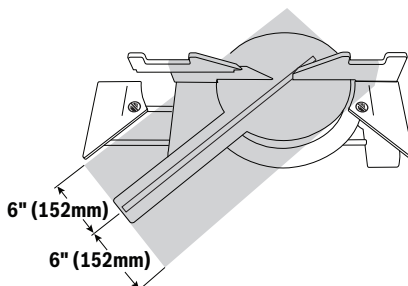
La « zone interdite aux mains » pour les coupes de biseau zéro et d'onglet zéro est indiquée sur l'outil par des lignes et des symboles d'interdiction aux mains.



La « zone interdite aux mains » pour les coupes coulissantes et d'onglet vers la droite est définie dans la figure.

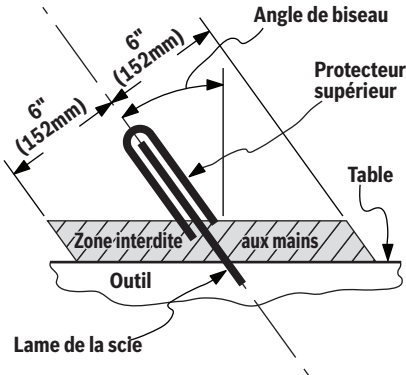


La « zone interdite aux mains » pour les coupes coulissantes et d'onglet vers la gauche est définie dans la figure.



Préparation pour les opérations de la scie

Pour toutes les coupes en biseau, la « zone interdite aux mains » s'étend verticalement jusqu'au bas du dispositif de protection supérieur quand l'ensemble de tête est dans la position de coupe la plus basse.



Utilisez des rallonges de socle coulissant, un guide coulissant et des supports d'ouvrage supplémentaires (voir page 100) pour soutenir l'ouvrage correctement et le maintenir ou le cramponner en dehors de la « zone interdite aux mains ».

L'ouvrage peut être tenu à la main contre la table et le guide uniquement en dehors de la « zone interdite aux mains ».

- **Tenez la pièce fermement contre la table et le guide pour empêcher tout mouvement.**
- **Gardez les mains en place jusqu'à ce que la gâchette ait été relâchée et que la lame se soit complètement arrêtée.**
- **Ne placez jamais les mains sur les composants du mécanisme.**
- **Gardez les pieds fermement sur le plancher et maintenez un bon équilibre.**
- **Suivez le bras d'onglet en coupant à gauche ou à droite. Tenez-vous légèrement sur le côté de la lame de scie.**

⚠ AVERTISSEMENT Soyez attentif à la trajectoire de la lame de scie. Faites un essai de sciage à blanc avec la scie arrêtée, simulez un cycle de sciage et repérez la trajectoire de la lame de scie. Éloignez les mains de la trajectoire de la lame de scie.

SCIAGE À BLANC – Il est important de savoir où la lame rencontre la pièce pendant le sciage. Effectuez toujours la simulation de coupe avec la scie à l'arrêt afin de

comprendre la trajectoire de la lame de scie. Prenez note mentalement de la position de la trajectoire de la lame de scie et positionnez la pièce de manière à ce que vos mains et vos bras ne se trouvent pas dans la trajectoire de la lame en rotation. Réglez vos brides et guides de manière à ne pas entraver le mouvement de coupe ou de nuire à la régularité du mouvement du capot protecteur inférieur.

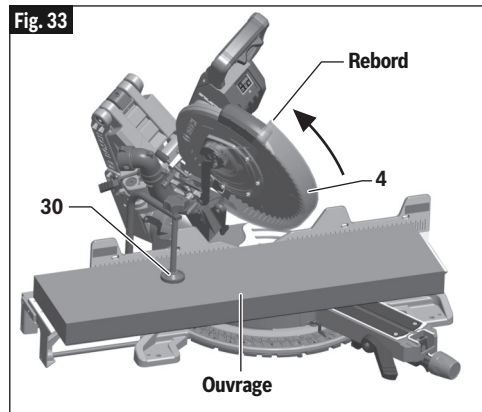
⚠ AVERTISSEMENT Il se peut que le protecteur inférieur ne s'ouvre pas automatiquement dans certaines conditions de coupe. Par exemple, quand vous essayez de scier des pièces qui sont proches de la capacité de coupe maximale en hauteur. Dans de telles conditions ou pendant le déplacement occasionné par le mouvement de coupe, l'ouvrage peut interrompre le mouvement du dispositif de protection inférieur avant que le mouvement descendant du bras puisse ouvrir ce dispositif de protection.

Dans ce cas :

L'ouvrage doit être attaché de façon sécurisée avec la bride de fixation **30**. Ceci libère une main pour soulever le protecteur **4** par le rebord suffisamment pour passer à côté de l'ouvrage (voir Fig. 33).

Mettez la scie en marche et commencez votre coupe.

Lorsque vous êtes passé à côté de la position où le protecteur inférieur peut gripper, relâchez le protecteur et il continuera à lever automatiquement au fur et à mesure que vous coupez.



Préparation pour les opérations de la scie

Support de l'ouvrage

BRIDES

Utilisation de la bride de fixation de l'ouvrage – Cette bride de fixation permet d'assujettir facilement un ouvrage sur la table ou sur la base, voir Fig. 34.

1. Insérez la barre moletée de la bride de fixation dans un trou pour goujon de fixation ; il y a deux trous pour des goujons de fixation qui sont situés dans la base derrière le guide. L'extrémité moletée doit être enfoncée dans le trou pour goujon de fixation sur au moins 1/2 po (13mm).
2. Faites glisser la bride de fixation vers le bas jusqu'à ce que son pied en caoutchouc entre en contact avec l'ouvrage.
3. Ajustez la hauteur de la bride de fixation pour que celle-ci n'entre pas en contact avec le guide coulissant.
4. Faites tourner le bouton de contrôle de la bride de fixation jusqu'à ce que l'ouvrage soit maintenu fermement en place.
5. Déplacez la tête de la scie vers le haut et vers le bas, ainsi que vers l'avant et vers l'arrière, pour vous assurer que la bride de fixation ne fait pas obstacle à son mouvement.

⚠ AVERTISSEMENT La bride de fixation ne pourra peut-être pas être utilisée dans le contexte de certaines coupes composées extrêmes. Dans de tels cas, soutenez l'ouvrage avec votre main en dehors des zones « Danger pour les mains ». N'essayez pas de couper des matériaux courts qui ne peuvent pas être assujettis avec la bride de fixation ou avec votre main en dehors des zones « Danger pour les mains ».

⚠ AVERTISSEMENT Soyez conscient de la trajectoire de la lame. Faites une passe de pratique avec la scie hors tension en réalisant une simulation du cycle de coupe, et observez la trajectoire projetée de la lame de scie. Gardez les mains à au moins six (6) pouces (152mm) de la trajectoire projetée de la lame de scie.

Brides de fixation – D'autres dispositifs d'assujettissement, tels que des cols de cygne, peuvent être utilisés pour assujettir fermement un ouvrage contre la table et le

Fig. 34

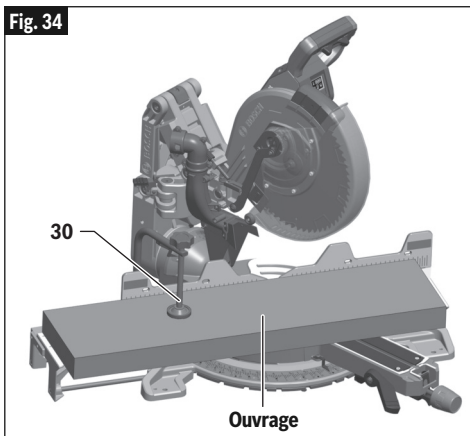
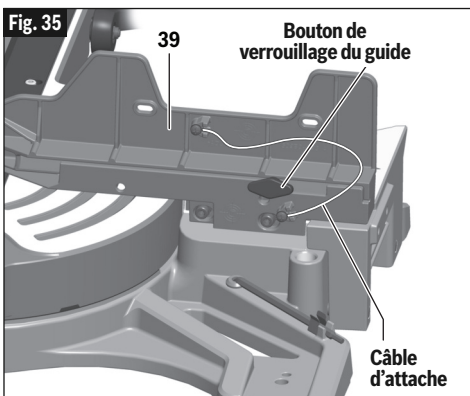


Fig. 35



guide. Vérifiez que ces brides de fixation ne se trouvent pas sur la course de la scie lors de la coupe.

GUIDES COULISSANTS

⚠ AVERTISSEMENT Pour qu'il y ait assez d'espace entre votre main et la lame de la scie, étendez les guides et les rallonges de la base lorsque vous effectuez des coupes en biseau, des coupes d'onglet ou des coupes composées extrêmes (Fig. 32).

Utilisation des guides coulissants

1. Desserrez d'un demi-tour le bouton de verrouillage du guide (en tournant dans le sens inverse des aiguilles d'une montre) pour desserrer le guide (voir la Fig. 35).
2. Faites glisser le guide 39 jusqu'à la position désirée.

Préparation pour les opérations de la scie

3. Serrez le bouton de verrouillage du guide (en tournant dans le sens des aiguilles d'une montre) pour verrouiller le guide en position.

Retrait des clôtures coulissantes

Le guide coulissant peut devoir être retiré lors de la préformation des coupes en biseau extrêmes et de la plupart des coupes composées.

1. Desserrez le bouton de verrouillage du guide coulissant dans le sens inverse des aiguilles d'une montre de 4 rotations, voir Fig. 35.
2. Soulevez et retirez le guide coulissant.

Le câble d'attache aidera à empêcher que le guide coulissant ne soit placé dans un endroit inapproprié.

SUPPORT D'OUVRAGES LONGS

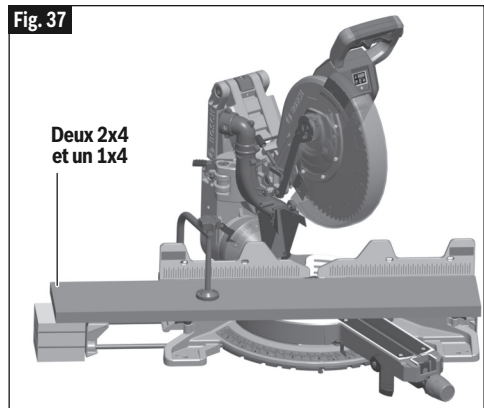
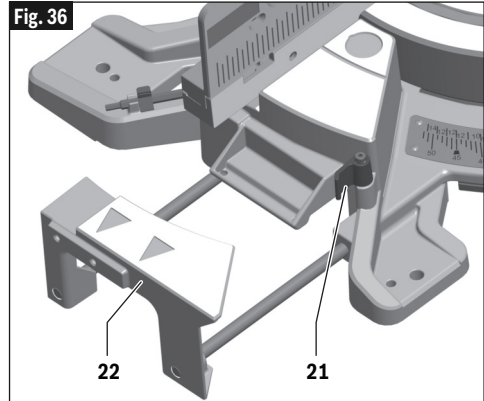
⚠ AVERTISSEMENT Les ouvrages longs ont tendance à basculer à moins qu'ils ne soient cramponnés et ne soient dûment supportés par dessous.

⚠ AVERTISSEMENT Ne demandez à personne de servir de substitut de rallonge de table ou de support supplémentaire. Un soutien instable de l'ouvrage peut faire que la lame se coince ou que l'ouvrage se déplace pendant l'opération de coupe, ce qui aurait pour conséquence de vous faire entrer en contact avec la lame en mouvement.

Rallonges de la base pour les ouvrages longs – Ces rallonges fournissent un support additionnel pour les ouvrages et sont particulièrement utiles lors de la coupe d'ouvrages longs. Pour repositionner les rallonges **22**, déverrouillez simplement les leviers de verrouillage des rallonges de la base **21**, repositionnez les rallonges et verrouillez à nouveau les leviers (voir Fig. 36). Le levier de verrouillage de la rallonge de gauche se serre en le faisant tourner dans le sens des aiguilles d'une montre, et le levier de verrouillage de droite se serre en le faisant tourner dans le sens contraire des aiguilles d'une montre.

SOUTIEN ADDITIONNEL POUR L'OUVRAGE

Blocs – Les pièces longues ont besoin d'être mieux soutenues. La hauteur de base (3-3/4 po [95mm]) est conçue en fonction

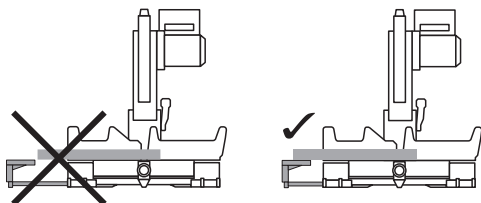


du bois d'œuvre standard de deux 2x (38mm) et un 1x (19mm). On peut utiliser des planches de ces épaisseurs pour créer des rallonges de support auxiliaires pour les ouvrages longs (voir Fig. 37).

⚠ AVERTISSEMENT Assurez-vous toujours que les surfaces de support sont capables de soutenir correctement l'ouvrage et permettent de tenir celui-ci à la main en toute sécurité en dehors de la « zone interdite aux mains », ou de le serrer avec un crampon à l'intérieur ou à l'extérieur de la « zone interdite aux mains » – voir page 100 pour ce qui est de la « zone interdite aux mains » et des positions correctes des mains.

Préparation pour les opérations de la scie

⚠ AVERTISSEMENT Ajustez toujours la rallonge de base coulissante pour soutenir l'ouvrage. Un ouvrage non soutenu peut changer de position pendant une coupe et causer des blessures ou endommager l'outil.



⚠ AVERTISSEMENT Soyez conscient de la trajectoire de la lame. Faites une passe de pratique avec la scie hors tension en réalisant une simulation du cycle de coupe, et observez la trajectoire projetée de la lame de scie. Gardez les mains à au moins six (6) pouces (152mm) de la trajectoire projetée de la lame de scie.

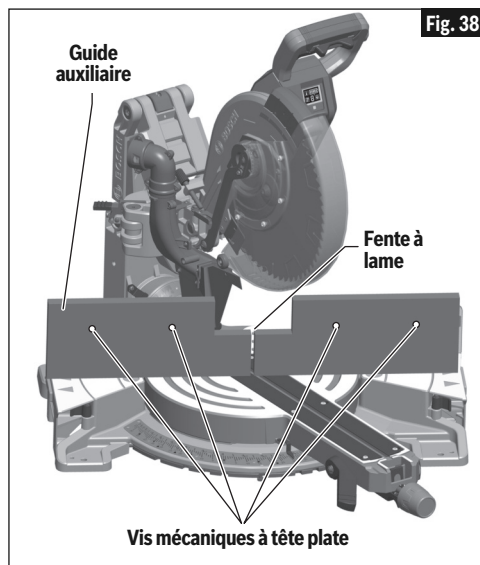
CONSTRUCTION D'UN GUIDE AUXILIAIRE

Certains types de moulure nécessitent une rallonge de face de guide en raison de la dimension et de la position de l'ouvrage. Des trous sont pratiqués dans le guide pour fixer un guide auxiliaire. Le guide auxiliaire est utilisé avec la scie en position biseau 0° seulement.

1. Placez une pièce de bois contre le guide de la scie à onglet (voir Fig. 38). (Le bois peut avoir une hauteur maximum de 5 1/2 po. [140mm]). Assurez-vous que la tête ne gêne pas le guide auxiliaire. Voir le dessin de dimensionnement – Fig. 39.

⚠ AVERTISSEMENT Vérifiez qu'il n'y a pas d'interférence entre le guide auxiliaire et les éléments de la tête de scie en réalisant une passe de pratique. L'interférence avec le guide peut empêcher le bon fonctionnement de la scie et causer des blessures et/ou endommager l'outil.

2. Marquez les emplacements des trous de support sur le bois depuis l'arrière du guide.
3. Percez et fraisez les trous à l'avant de la planche de support.



4. Attachement depuis le devant du guide : fixez le(s) guide(s) auxiliaire(s) à l'aide de deux (2) vis à machine à tête fraisée de 3/16 po (M5). Avec un guide auxiliaire de 3/4 po (19mm) d'épaisseur, utilisez des vis de 1-1/2 po (38mm) de long. Fixez-les derrière le guide en métal à l'aide de rondelles et d'écrous à machine.

Attachement depuis l'arrière du guide : avec un guide auxiliaire de 3/4 po, (19mm) utilisez des vis à bois à tête ronde de 1/4 po [M6] (3/4 po [20mm] de long). Percez quatre (4) avant-trous de diamètre inférieur à 1/4 po (6mm) dans le guide auxiliaire et enfitez les vis par les trous du guide en métal pour les visser dans le guide en bois.

⚠ AVERTISSEMENT Soyez conscient de la trajectoire de la lame. Faites une passe de pratique avec la scie hors tension en réalisant une simulation du cycle de coupe, et observez la trajectoire projetée de la lame de scie. Gardez les mains à au moins six (6) pouces (152mm) de la trajectoire projetée de la lame de scie.

5. Pratiquez une coupe de profondeur normale pour créer la fente à lame. Vérifiez s'il y a interférence entre le guide auxiliaire et le protecteur inférieur de lame.

Préparation pour les opérations de la scie

- Faites des ajustements au besoin.
6. Pour pouvoir effectuer les meilleures coupes sans éclats de bois, utilisez la méthode de coupe par cisaillement.
 7. Lorsque vous effectuez des coupes coulissantes, il faut faire une entaille au centre selon le modèle (voir Fig. 39).

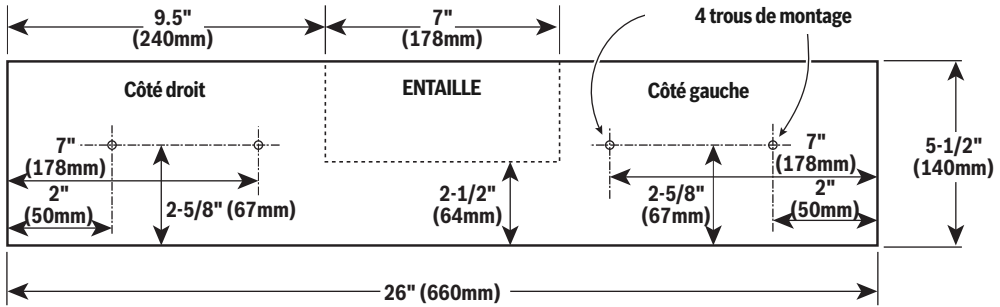


Fig. 39 Guide auxiliaire en bois haut – 3/4 po (19mm) d'épaisseur

Opérations de la scie

⚠ AVERTISSEMENT Débranchez le bloc-piles avant de procéder à une quelconque opération de montage, de réglage ou de réparation afin d'éviter tout risque de blessure.

Utilisation du système de détente d'onglet

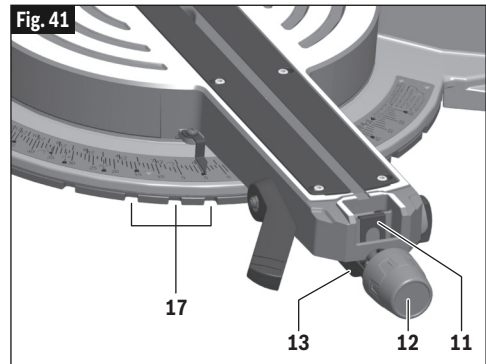
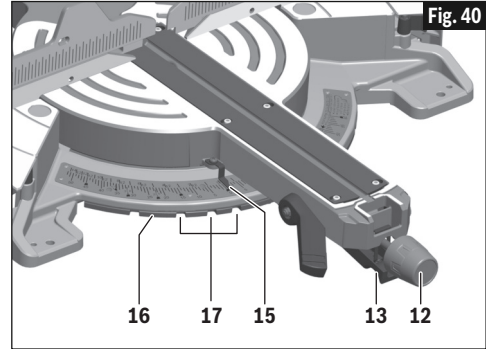
1. Desserrez le bouton de verrouillage **12** d'environ 1/2 tour.
2. Saisissez le bouton de verrouillage, puis étendez votre index vers le bas pour tirer sur le levier de détente d'onglet **13** – tirez sur le levier jusqu'à ce qu'il soit sorti de la plaque de détente.
3. Tout en tenant le levier et le bouton de verrouillage dans la main, faites tourner la table de la scie. Arrêtez la rotation de la table à l'angle désiré comme indiqué par le pointeur de l'échelle d'onglet **15**.
4. Relâchez le levier en détente **17** dans la plaque de détente **16** ou à un certain angle entre les détentes. Si vous êtes tout près d'une détente, utilisez la fonction de neutralisation de détente.
5. Serrez le bouton de verrouillage d'onglet avant de couper

REMARQUE: Il est recommandé de serrer le bouton de verrouillage d'onglet avant toutes les coupes. Il est nécessaire de serrer le bouton avant de couper à n'importe quel angle entre les détentes ou lorsque le système de correction de la détente de l'onglet est utilisé.

Neutralisation de la détente d'onglet

Le système de neutralisation de la détente d'onglet désactive et verrouille la fonction de détente automatique. Lorsque l'angle d'onglet désiré est proche d'une fente de détente standard, cette fonction empêchera le coin du levier de détente de s'engager dans la fente (p. ex., si l'utilisateur veut être à 44 1/2° mais si le coin de détente a tendance à s'engager dans la détente à 45°). Lorsque le système de neutralisation de la détente est utilisé, le système de détente est désactivé et la table avancera en douceur vers n'importe quelle position choisie dans la plage possible.

1. Soulevez et maintenez le levier de verrouillage d'onglet **13**.



2. Poussez la pince de déverrouillage de la détente **11** vers l'avant et enclenchez-la sur le bord de réception du bras de la table pivotante. Relâchez le levier de verrouillage de l'onglet (Fig. 41).
3. Tournez la table à n'importe quelle position sur l'échelle d'onglet.
4. Verrouillez le bouton de verrouillage d'onglet pour conserver la position d'onglet.

Désengagement:

Desserrez le bouton de verrouillage de l'onglet et soulevez le levier de verrouillage de l'onglet pour libérer le clip de neutralisation de la détente. Le clip devrait se désengager automatiquement et la table devrait se verrouiller dans n'importe quelle position d'onglet désirée.

Opérations de la scie

Coupes de cisaillement

QU'EST-CE QU'UNE COUPE À ACTION DE CISAILLEMENT?

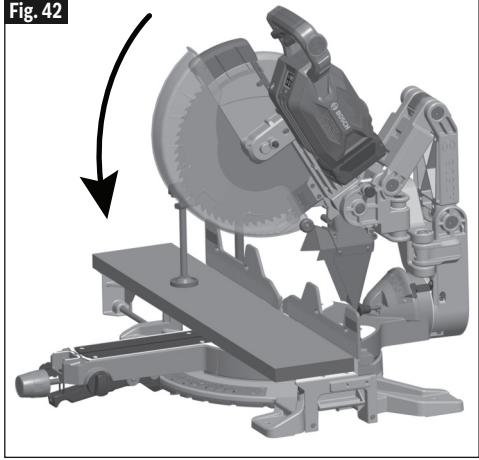
- Une « coupe à action de cisaillement » est une coupe transversale effectuée lorsque la scie est maintenue dans sa position la plus en arrière possible et est utilisée comme une scie à onglet conventionnelle (non coulissante). L'utilisation de la méthode de cisaillement réduit la capacité de coupe transversale ; cependant, de nombreux utilisateurs préfèrent utiliser cette méthode parce qu'elle est plus rapide quand il est nécessaire de faire des coupes répétées. Cette méthode peut aussi produire des coupes plus précises parce que la tête de la scie est verrouillée dans sa position rétractée.
- Cette scie a des butées d'angles de biseau qui arrêtent le mouvement à des angles critiques : 45° à gauche et à droite, et 0° à droite. Ces valeurs sont fixées à l'usine et ne nécessitent pas de réglage de la part de l'utilisateur. Cependant, il est possible que cet outil nécessite un nouveau réglage s'il a subi un choc important ou au bout d'une période d'utilisation prolongée.
- Une coupe du type à action de cisaillement permet de couper des matériaux ayant une largeur maximum de 5 1/2 po.

PRÉPARATION EN VUE DE LA COUPE DE CISAILLEMENT

1. Avec la tête de la scie en position élevée (UP), repoussez-la vers l'arrière au-dessus du guide.
2. Engagez le levier de verrouillage du mécanisme (article 27 – page 74) en soulevant la languette en forme de doigt. Assurez vous que le mouvement du mécanisme a cessé.
3. Positionnez adéquatement votre ouvrage et assujettissez-le fermement avec une bride de fixation sur la table et/ou contre le guide.

⚠ AVERTISSEMENT Utilisez une position assujettie qui ne fait pas obstacle au mouvement de l'outil. Avant de mettre l'outil en marche (« ON »), abaissez l'ensemble de tête pour vous assurer que la bride de fixation n'entrave pas le dispositif de protection ou l'ensemble de tête.

Fig. 42



⚠ AVERTISSEMENT Soyez conscient de la trajectoire de la lame. Faites une passe de pratique avec la scie hors tension en réalisant une simulation du cycle de coupe, et observez la trajectoire projetée de la lame de scie. Gardez les mains à au moins six (6) pouces (152mm) de la trajectoire projetée de la lame de scie.

RÉALISATION D'UNE COUPE DE CISAILLEMENT

1. Activez l'interrupteur, puis abaissez complètement la tête de la scie pour réaliser la coupe.
2. Maintenez la tête de la scie en position abaissée jusqu'à ce que la lame s'arrête complètement. Remettez la tête de la scie en position élevée (UP). Retirez l'ouvrage.

Opérations de la scie

Coupes coulissantes

QU'EST-CE QU'UNE COUPE COULISSANTE?

- Une « coupe coulissante » est effectuée avec l'ensemble de tête déverrouillé et capable de s'éloigner du guide. Ce mouvement est supporté et contrôlé de façon précise par le système coulissant axial. Cette méthode permet d'utiliser la capacité de coupe transversale maximum.
- Une coupe coulissante est idéale pour la coupe transversale d'ouvrages aux dimensions plus grandes que pour une coupe de cisaillement – des morceaux de matériau plus larges que 5-1/2 po (140mm) et jusqu'à une largeur maximum de 13-3/8 po (340mm) à travers.

⚠ AVERTISSEMENT Ne tirez JAMAIS la scie vers vous pendant une coupe. La lame pourrait grimper tout à coup au-dessus de l'ouvrage et se projeter avec force contre vous.

PRÉPARATION EN VUE D'UNE COUPE COULISSANTE

1. Placez la tête de la scie dans la position élevée (UP).
2. Désengagez le levier de verrouillage du mécanisme (article 27 – page 74) en appuyant sur la languette en forme de doigt. Avec l'ensemble de tête en position élevée (UP), déplacez-le à fond vers l'avant et vers l'arrière pour vous assurer que le système coulissant axial fonctionne régulièrement et en douceur.
3. Positionnez correctement votre ouvrage et assujettissez-le fermement sur la table et/ou contre le guide avec une bride de fixation.

⚠ AVERTISSEMENT Utilisez une position assujettie qui ne fait pas obstacle au mouvement de l'outil. Avant de mettre l'outil en marche (« ON »), abaissez l'ensemble de tête pour vous assurer que la bride de fixation n'entrave pas le dispositif de protection ou l'ensemble de tête.

⚠ AVERTISSEMENT Soyez conscient de la trajectoire de la lame. Faites une passe de pratique avec la scie hors tension en réalisant une simulation du cycle de coupe, et

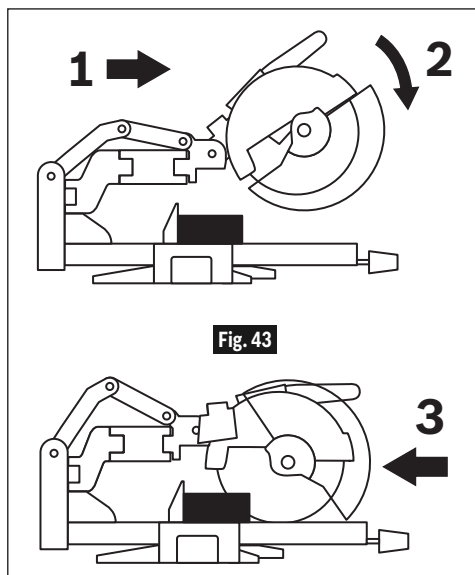


Fig. 43

observez la trajectoire projetée de la lame de scie. Gardez les mains à au moins six (6) pouces (152mm) de la trajectoire projetée de la lame de scie.

RÉALISATION D'UNE COUPE COULISSANTE

1. Saisissez la poignée de l'interrupteur et tirez sur l'ensemble de tête de scie (en position élevée – « UP ») pour l'éloigner du guide – voir la flèche 1 à la Fig. 43.
2. Activez l'interrupteur, puis abaissez complètement l'ensemble de tête de scie – sur les matériaux de grandes dimensions, cette action peut également déclencher la coupe – voir la flèche 2 à la Fig. 43.
3. Appuyez vers le bas et vers l'arrière pour que l'ensemble de tête de scie avance vers le guide et en position totalement reculée jusqu'à ce que vous ayez terminé la coupe. Voir la flèche 3 à la Fig. 43. REMARQUE : si vous constatez beaucoup de résistance, n'appliquez pas une force excessive – arrêtez de couper, attendez que la lame ait cessé de bouger et recherchez la cause du problème.
4. Maintenez la tête de la scie abaissée jusqu'à ce que la lame cesse complètement de tourner. Remettez la tête de la scie en position élevée (UP) et retirez l'ouvrage.

Opérations de la scie

Coupe d'onglet

QU'EST-CE QU'UNE COUPE D'ONGLET?

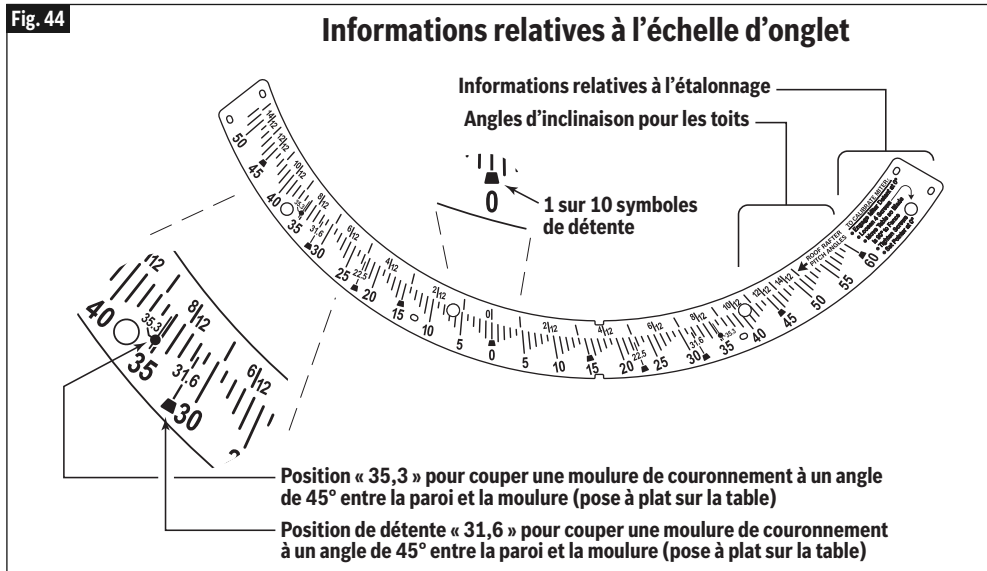
- Une « coupe d'onglet » est une coupe transversale effectuée avec la lame perpendiculaire à la table horizontale. La lame n'est pas inclinée et les pointeurs de biseau sont tous les deux sur les traits à 0°.
- Des coupes d'onglet peuvent être effectuées à n'importe quel angle à travers un ouvrage dans les limites de la plage de fonctionnement de cette scie, depuis 52° vers la gauche jusqu'à 60° vers la droite.
- L'échelle d'onglet montre l'angle de la lame par rapport au guide de la scie. Le pointeur d'onglet est attaché à la plaque tournante et indique la position d'onglet de la scie avant que la coupe ne soit effectuée.
- Dix détentes positives existent pour des angles d'onglet prédéterminés rapides et précis – les emplacements sont à 45°, 31,6°, 22,5° et 15° à gauche et à droite, et au centre à 0°. Le côté droit a une détente additionnelle de 60°.
- Les détentes pour moulures de couronnement à gauche et à droite sont à 31,6° pour une coupe composée de moulure

de couronnement à 38° (« spring angle » – angle formé entre la paroi et la moulure de couronnement) avec pose à plat sur la table (voir la rubrique consacrée à la coupe de moulures de couronnement à la page 118).

- Pour des réglages très précis à des angles d'onglet très proches des détentes d'onglet, utilisez le système de neutralisation de détente d'onglet pour empêcher la détente de s'engager automatiquement dans la fente de détente. Voir les instructions relatives à la neutralisation de la détente à la page 106.
- Une coupe d'onglet peut être effectuée soit comme coupe de cisaillement, soit comme coupe coulissante, en fonction de la largeur de l'ouvrage.
- Les éléments amovibles pour traits de scie doivent être ajustés aussi près de la lame que possible afin de réduire les risques d'éclatement du bois (voir les instructions relatives aux éléments amovibles pour traits de scie à la page 87).

LECTURE DE L'ÉCHELLE D'ONGLET

L'échelle d'onglet utilisée sur cette scie inclut plusieurs échelles d'informations pour aider l'utilisateur à fixer de façon précise les réglages de la scie avant de faire les coupes (voir Fig. 44).

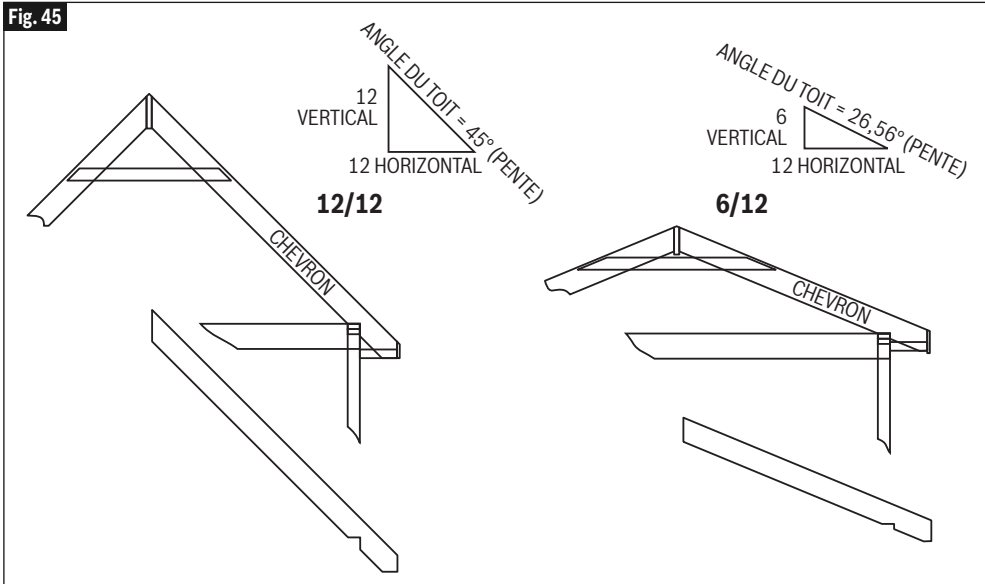


Opérations de la scie

Informations relatives aux angles d'inclinaison – La section supérieure de l'échelle d'onglet montre les réglages d'angles requis pour couper des chevrons de toiture en utilisant le système « Pitch Angle » (angle d'inclinaison). 2/2, 4/12, 6/12, etc. sont

tous des angles d'inclinaison. Le système est basé sur l'utilisation des « pouces » anglais. Un toit à angle d'inclinaison de 6/12 est égal à un rapport de 6 po (152mm) à la verticale pour chaque longueur horizontale de 12 po (305mm) (voir la Fig. 45).

Fig. 45



Informations relatives aux moulures de couronnement – Il existe des réglages de positions d'onglet pour effectuer des coupes composées de moulures de couronnement à plat sur la table. Une moulure de couronnement avec un angle de 38° entre la paroi et la moulure utilise le réglage 31,6 (avec détente) et une moulure de couron-

nement avec un angle de 45° entre la paroi et la moulure utilise le réglage 35,3. REMARQUE : cette méthode de coupe nécessite également que des angles de biseau spécifique soient fixés – voir la rubrique consacrée à la coupure de moulures de couronnement à la page 118.

Opérations de la scie

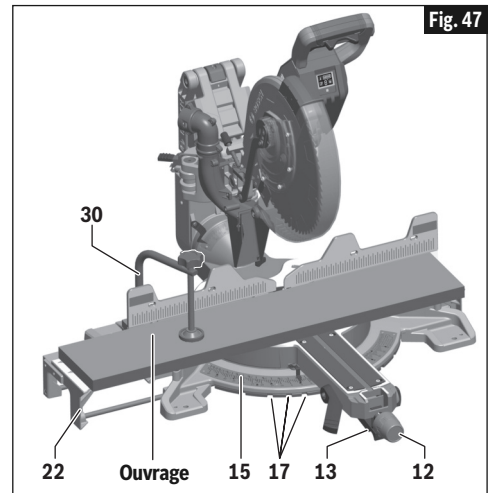
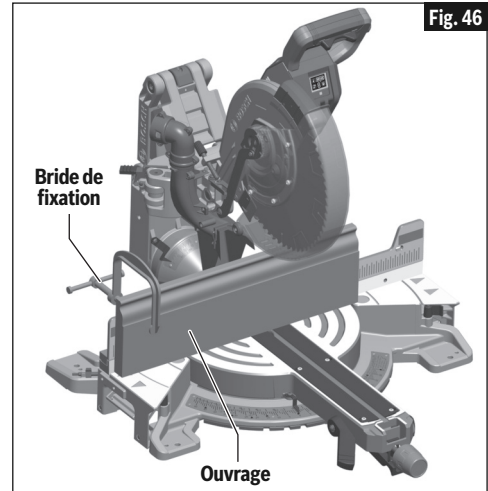
Coupes d'onglet pour des plinthes de 6-3/4 po (171mm) de haut – Cette scie est conçue pour faire des coupes d'onglet pour des plinthes de 6-3/4 po (171mm) de haut positionnées verticalement contre le guide à n'importe quel angle entre 0° et 52°. Toutes les coupes obliques doivent être faites avec la plinthe placée du côté gauche de la table. Pour certaines coupes, il sera nécessaire de retourner la plinthe sens dessus dessous ou de la placer avec le côté visible contre le guide. Utilisez toujours une bride de type « col de cygne » pour maintenir la plinthe contre le guide avant de commencer la coupe. REMARQUE : aucun placement spécial n'est requis pour couper des plinthes standard jusqu'à 3-7/8 po (100mm) de haut, et des coupes d'onglet peuvent être effectuées à n'importe quel angle à gauche ou à droite.

RÉGLAGE DE LA SCIE POUR EFFECTUER UNE COUPE D'ONGLET

1. Voir la rubrique consacrée à l'utilisation des détentes d'onglet à la page 106.
2. Desserrez le bouton de verrouillage d'onglet **12**. Soulevez le levier de détente d'onglet **13** et déplacez la scie jusqu'à l'angle désiré en utilisant soit les détentes **17**, soit l'échelle d'onglet **15**. Serrez ensuite le bouton de verrouillage d'onglet (voir Fig. 47).
3. Étendez les rallonges de la base **22** et le guide du côté sur lequel la coupe sera effectuée (voir la rubrique consacrée au support de l'ouvrage à la page 102).
4. Positionnez adéquatement l'ouvrage. Assurez-vous que l'ouvrage est assujéti fermement sur la table ou contre le guide.

⚠ AVERTISSEMENT Utilisez une position assujettie qui ne fait pas obstacle au mouvement de l'outil. Avant de mettre l'outil en marche, abaissez l'ensemble de tête pour vous assurer que la bride de fixation n'entrave pas le dispositif de protection ou l'ensemble de tête.

5. Suivez les procédures pour faire une coupe de cisaillement ou une coupe coulissante, suivant le cas (voir pages 107-108).
6. Attendez que la lame de la scie s'arrête complètement avant de remettre la tête dans sa position relevée, puis retirez l'ouvrage.



Opérations de la scie

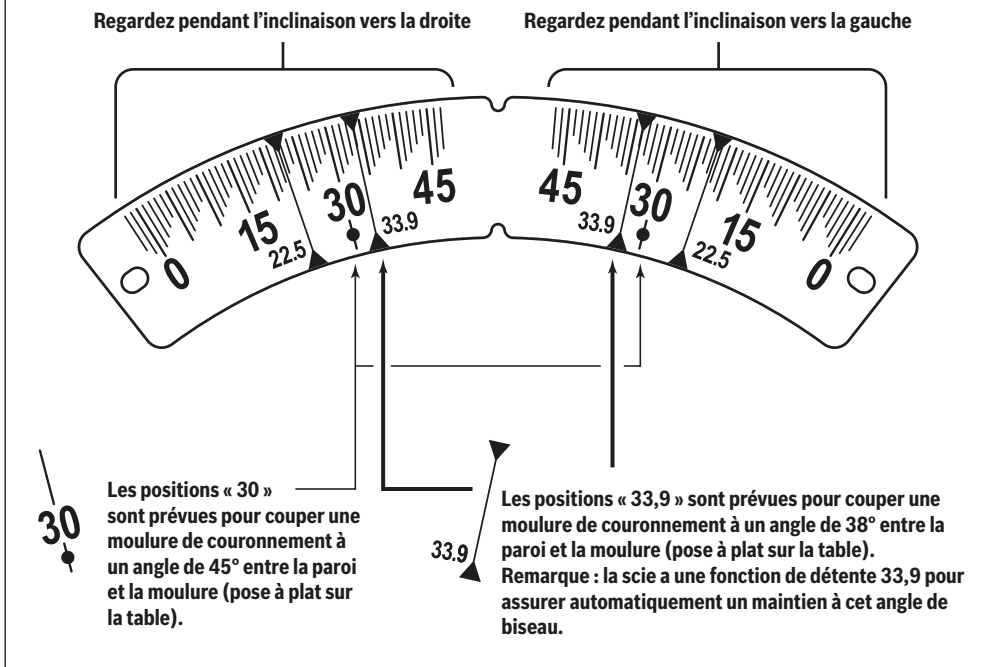
Coupes en biseau

QU'EST-CE QU'UNE COUPE EN BISEAU?

- Une « coupe en biseau » est une coupe transversale effectuée avec la lame en position perpendiculaire par rapport au guide et avec la table réglée sur l'angle d'onglet 0°. La lame peut être inclinée à n'importe quel angle dans la plage de fonctionnement de la scie : à gauche de 0 à 47° et à droite de 0 à 47° également.
- L'échelle de biseau a des dimensions et un positionnement qui permettent des lectures faciles – voir Fig. 48.

Fig. 48

Informations relatives à l'échelle de biseau



Bouton du sélecteur de la plage de biseau – Cette scie a une commande avant du côté droit du bras de la table. Elle est appelée bouton du sélecteur de plage de biseau 41. Elle est liée aux butées et aux mécanismes de verrouillage à l'arrière qui contrôlent la capacité de positionnement rapide et précis de l'outil afin de réaliser des coupes en biseau. Il y a des butées positives aux angles importants (45° à gauche, 0° (à la verticale) et 45° à droite (voir Fig. 49)).

UTILISATION DU BOUTON DU SÉLECTEUR DE PLAGE DE BISEAU

Plage de biseau 1 = 0-45° à gauche

Cette plage de biseau à gauche est le réglage par défaut.

Travail dans la plage de biseau 1 :

1. Déplacez le guide coulissant de gauche vers l'extérieur afin de le dégager du champ de l'ensemble de scie et verrouillez à nouveau (Fig. 51).
2. Soulevez le levier de verrouillage du biseau au-dessus de la hauteur de la table avec la main gauche.
3. Saisissez la poignée principale avec la main droite et inclinez l'ensemble de scie à l'angle désiré.
4. Une fois dans la position de biseau désirée, tenez l'ensemble de scie avec la

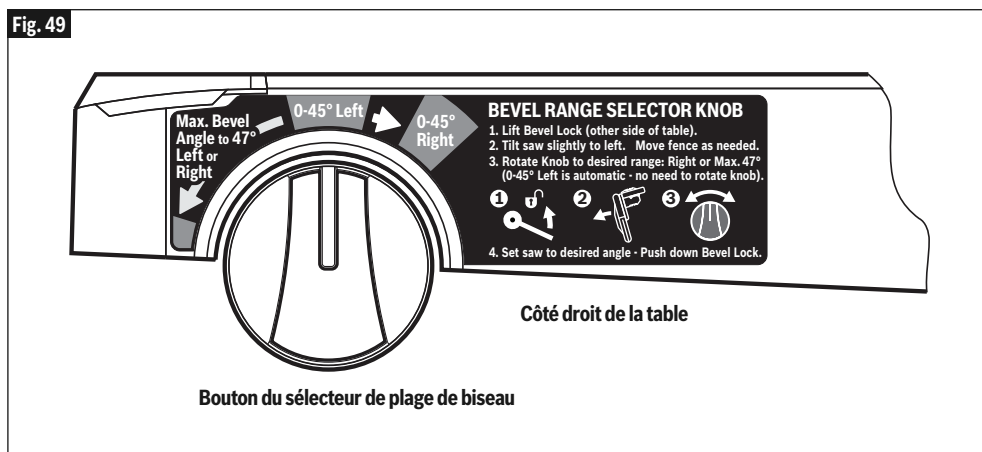
Opérations de la scie

main droite et utilisez votre main gauche pour appuyer à fond sur le levier de verrouillage du biseau au-dessous de la hauteur de la table.

REMARQUE : sans mettre la scie en marche, effectuez une coupe fictive afin de vous assurer que le guide puisse aller au-delà des

dispositifs de protection et ajustez si nécessaire.

Fig. 49



Plage de biseau 2 = 0-45° à droite

Travail dans la plage de biseau 2 :

1. Déplacez le guide coulissant de droite vers l'extérieur afin de le dégager du champ de l'ensemble de scie et verrouillez à nouveau (Fig. 51).
2. Soulevez le levier de verrouillage du biseau au-dessus de la hauteur de la table avec la main gauche.
3. Saisissez la poignée principale avec la main gauche et inclinez légèrement l'ensemble de scie vers la gauche tout en faisant tourner le bouton du sélecteur de plage de biseau à ressort avec la main droite afin que l'indicateur du bouton soit orienté vers le réglage « 0-45° à droite » figurant sur l'étiquette (0-45° Right).
4. Une fois dans la position de biseau désirée, tenez l'ensemble de scie avec la main droite et utilisez votre main gauche pour appuyer à fond sur le levier de verrouillage du biseau au-dessous de la hauteur de la table.

REMARQUE : lorsque l'ensemble de scie est incliné vers la gauche au-delà de 0°, le bouton de contrôle du biseau reviendra au-

tomatiquement à la plage de biseau par défaut 1. Ceci permet de réinitialiser la butée de biseau à la valeur fixée à l'usine pour la position importante de 0°.

Plage de biseau 3 = Angle de biseau max. à 47° vers la gauche ou vers la droite

Ce réglage de la plage de biseau de pleine capacité se substitue à toutes les butées établies à l'usine et permet de couper à des angles de biseau au-delà de la limite normale de 45° d'un côté ou de l'autre.

Travail dans la plage de biseau 3 :

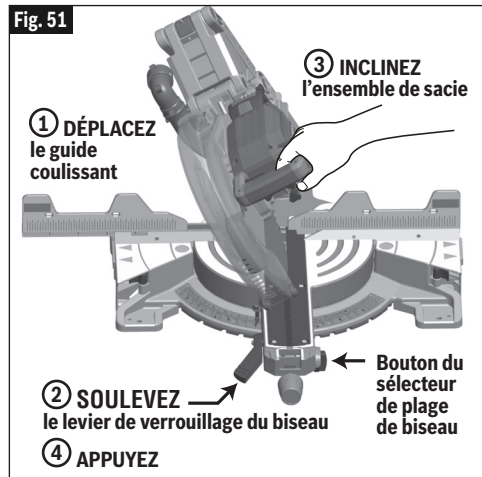
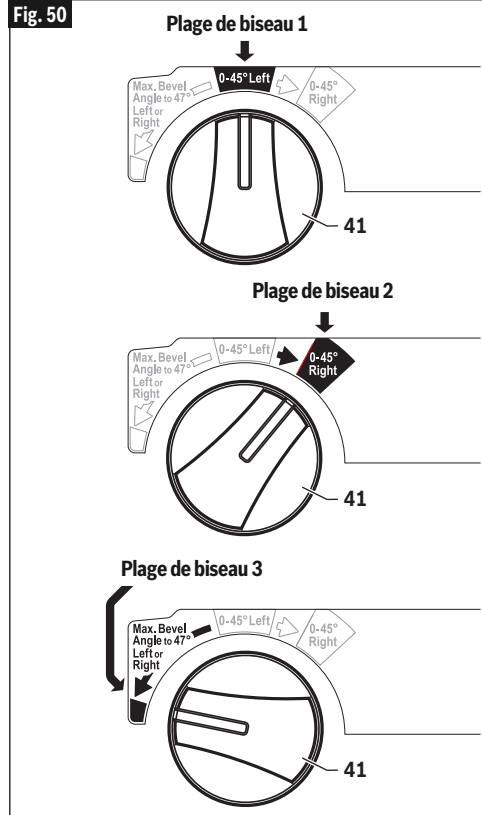
1. Déplacez les guides coulissants de gauche et de droite vers l'extérieur afin de les dégager du champ de l'ensemble de scie et verrouillez à nouveau (Fig. 51).
2. Soulevez le levier de verrouillage du biseau au-dessus de la hauteur de la table avec la main gauche.
3. Saisissez la poignée principale avec la main gauche et inclinez légèrement l'ensemble de scie vers la gauche tout en faisant tourner le bouton du sélecteur de plage de biseau à ressort avec la main droite afin que l'indicateur du bouton soit orienté vers le carré rouge au-dessous de la mention « Angle de biseau

Opérations de la scie

max. à 47° vers la gauche ou vers la droite » figurant sur l'étiquette (Max. Bevel Angle to 47° Left or Right).

- Une fois dans la position de biseau nécessaire, tenez l'ensemble de scie avec la main droite et utilisez votre main gauche pour appuyer à fond sur le levier de verrouillage du biseau au-dessous de la hauteur de la table.

REMARQUE : le bouton du sélecteur restera dans cette position de « neutralisation ». Tournez le bouton légèrement dans le sens des aiguilles d'une montre et il reviendra automatiquement à la plage de biseau 1 (position par défaut).



Opérations de la scie

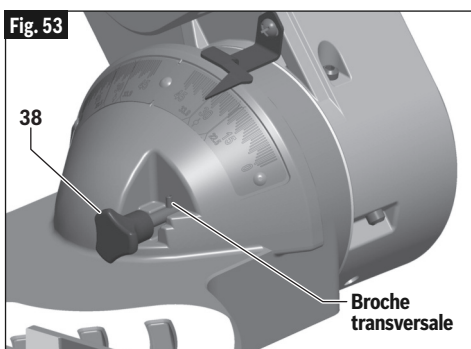
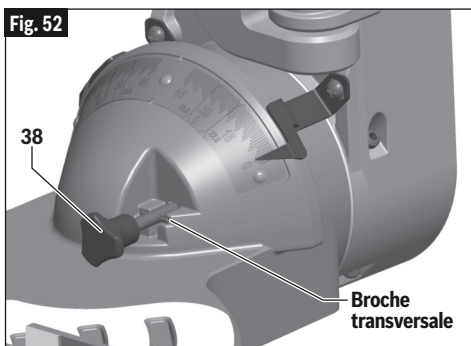
⚠ AVERTISSEMENT Pour une coupe en biseau, régler le guide coulissant hors du trajet de la lame et du dispositif de protection.

BUTÉES DES ANGLES DE BISEAU ET DÉTENTES

- La scie a des butées d'angles de biseau qui permettent un arrêt aux angles critiques : 45° à gauche, 0° et 45° à droite. Ces valeurs sont réglées à l'usine et ne nécessitent pas de réglage de la part de l'utilisateur. Cependant, il est possible que cet outil nécessite un nouveau réglage s'il a subi un choc important ou au bout d'une période d'utilisation prolongée.
- La scie est pourvue d'un goujon pour détente d'angle de biseau **38** qui ne peut être engagé qu'à 33,9° à gauche ou à droite – c'est l'angle de biseau requis lors d'une coupe de moulure de couronnement ayant un angle de 38° entre la paroi et la moulure avec pose à plat sur la table. REMARQUE : si le goujon pour détente de biseau s'engage automatiquement à 33,9° et empêche l'inclinaison de la scie à un autre angle, tirez-le simplement vers l'avant et faites tourner sa broche transversale d'un quart de tour pour qu'il repose en position désengagée. Si le goujon est coincé en position engagée, inclinez la tête de la scie et faites-la basculer d'un côté à l'autre tout en tirant dessus (voir Fig. 52).

RÉGLAGE DE LA SCIE POUR EFFECTUER UNE COUPE EN BISEAU

1. Soulevez le levier de verrouillage du biseau pour déverrouiller (voir article **14** – page 74).
2. Choisissez la plage de biseau désirée en utilisant le bouton du sélecteur de plage de biseau. REMARQUE : si l'ensemble de tête est dans la position 0° et en déplacement vers la « Plage 0-45° », il peut être nécessaire de déplacer légèrement l'ensemble de tête vers la gauche avant



que le bouton du sélecteur puisse être tourné.

3. Saisissez la poignée principale et inclinez l'ensemble de tête de scie jusqu'à l'angle désiré tout en regardant l'un des pointeurs d'angle de biseau – observez le pointeur de droite en cas d'inclinaison vers la gauche ou le pointeur de gauche en cas d'inclinaison vers la droite.
4. Continuez à tenir la scie et appuyez sur le levier de verrouillage du biseau (avec la main gauche) pour verrouiller. Relâcher ensuite l'outil.
5. Suivez les procédures pour une coupe de cisaillement ou une coupe coulissante par ailleurs dans ce mode d'emploi.

Opérations de la scie

Coupes composées

⚠ AVERTISSEMENT Pour une coupe en composé, régler le guide coulissant hors du trajet de la lame et du dispositif de protection.

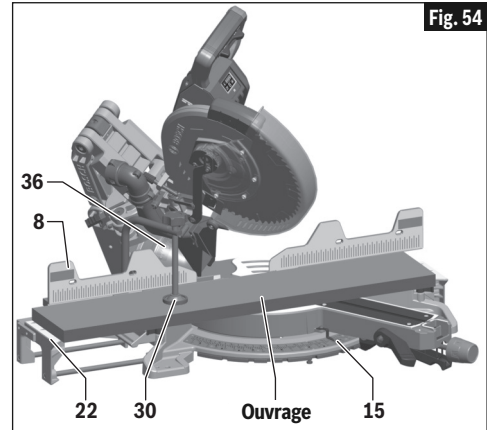
⚠ AVERTISSEMENT Avant de commencer à scier, assurez-vous toujours qu'il n'y a pas d'interférences entre les parties fixes et les parties mobiles de la scie. Ne vous servez pas de la scie dans la plage suivante de combinaisons d'onglet et de biseau : biseau à gauche, 45° à 47° PLUS onglet à droite, 40° à 42°. Ces combinaisons d'onglet et de biseau risqueraient de causer des interférences entre les parties coulissantes et les parties fixes de la scie, ou entre les parties coulissantes de la scie et l'ouvrage.

QU'EST CE QU'UNE COUPE COMPOSÉE?

- Une « coupe composée » est une coupe transversale unique réalisée avec la lame de scie réglée à l'avance sur deux angles combinant un angle d'onglet (par rapport au guide vertical) et un angle de biseau (par rapport à la table horizontale).
- Les angles d'onglet seront avec la table tournée en s'éloignant de 0° et à l'intérieur de cette plage de la scie, entre 52° à gauche et 60° à droite.
- Un angle de biseau est quand la lame est inclinée en s'éloignant de 0°. Cette plage de la scie est entre 47° à gauche et 47° à droite. REMARQUE : si le goujon de détente du biseau s'engage automatiquement à 31,6° et empêche l'inclinaison de la scie à un autre angle, tirez-le simplement vers l'avant et faites tourner sa broche transversale d'un quart de tour pour qu'il repose en position désengagée. Si le goujon est coincé en position engagée, inclinez la tête de la scie et faites-la basculer d'un côté à l'autre tout en tirant dessus.
- Une coupe composée peut être effectuée comme coupe de cisaillement ou comme coupe coulissante.

Suivez les instructions suivantes pour réaliser votre coupe composée :

1. Faites sortir la rallonge de base **22** et le



guide **8** (voir la section concernant le guide à glissière et la rallonge de base aux pages 94 et 95).

2. Positionnez correctement l'ouvrage et assurez-vous qu'il est assujéti fermement par une bride contre la table et le guide (Fig. 54).

⚠ AVERTISSEMENT Trouvez une position pour la bride qui n'affecte pas l'opération de coupe. Avant de mettre la scie en marche, abaissez la tête de la scie pour vérifier que la bride ne se trouve pas sur la trajectoire du dispositif de protection et de la tête de la scie.

⚠ AVERTISSEMENT Soyez conscient de la trajectoire de la lame. Faites une passe de pratique avec la scie hors tension en réalisant une simulation du cycle de coupe, et observez la trajectoire projetée de la lame de scie. Gardez les mains à au moins six (6) pouces (152mm) de la trajectoire projetée de la lame de scie.

3. Réglez les angles d'onglet **15** et de biseau **36** conformément aux instructions aux pages 109 – 115 pour les coupes d'onglet et de biseau.
4. Suivez les procédures indiquées soit pour les coupes de fente, soit pour les coupes par glissement.
5. Attendez que la lame s'arrête complètement avant de relever la tête de la scie et/ou de retirer l'ouvrage.

Il faudra faire des coupes composées pour couper une moulure en couronne à plat sur

Opérations de la scie

la table. Voir la section concernant les coupes de moulure en couronne à la page 118.

Coupe de rainures

Le réglage de profondeur s'utilise pour faire des rainures dans une pièce.

Le réglage de profondeur s'utilise pour limiter la profondeur de la lame lors du sciage de rainures.

REMARQUE : lisez et comprenez toutes les instructions à la page 86 de la section « Réglages » sous la rubrique « Réglage de la profondeur de la lame pour les coupes non traversantes afin de couper des rainures ».

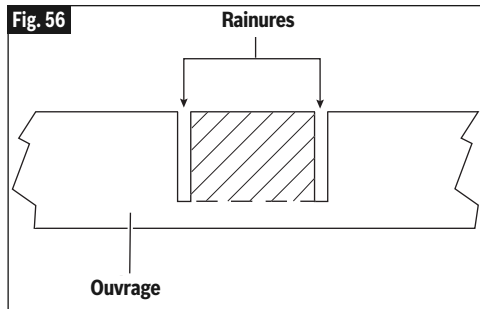
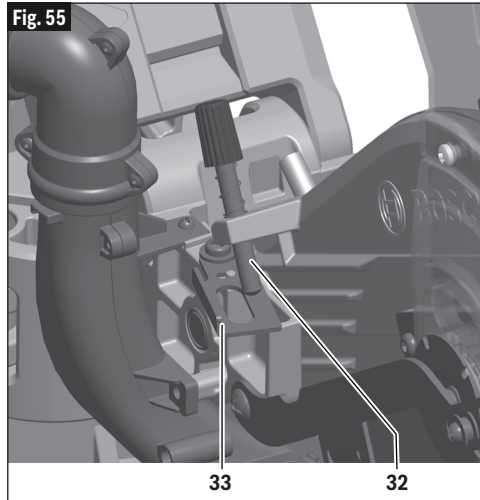
REMARQUE : pour obtenir les meilleurs résultats possibles, Bosch recommande l'utilisation d'une scie circulaire à table avec un jeu de lames à rainurer en option pour couper des rainures et pour faire des coupes non traversantes. Si une telle scie n'est pas disponible, la fonctionnalité décrite ci-dessous est une autre possibilité pratique.

Sciez en coulissant pour faire des rainures.

1. Pour régler la profondeur des rainures, tirez sur la plaque de butée pour la profondeur de coupe **33** et faites tourner la vis de butée pour la profondeur de coupe **32** (Fig. 55). Si vous faites tourner cette vis dans le sens des aiguilles d'une montre, cela élèvera la lame de la scie, alors que si vous la faites tourner dans le sens contraire des aiguilles d'une montre, cela abaissera la lame.
2. Pour faire des petits réglages, il suffit de tourner le boulon de butée de profondeur pour le mettre à la position désirée.

⚠ AVERTISSEMENT Soyez conscient de la trajectoire de la lame. Faites une passe de pratique avec la scie hors tension en réalisant une simulation du cycle de coupe, et observez la trajectoire projetée de la lame de scie. Gardez les mains à au moins six (6) pouces (152mm) de la trajectoire projetée de la lame de scie.

3. Serrez l'écrou moleté.
4. Après avoir coupé une rainure, éteignez la scie (« OFF ») et attendez que la lame cesse de tourner.



5. Pour retirer du matériau entre deux coupes, déplacez l'ouvrage vers la droite ou vers la gauche. La scie doit s'être arrêtée complètement avant que vous ne déplaçiez l'ouvrage.

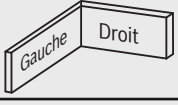
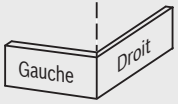
Opérations de la scie

Coupe de moulures de base

Les moulures de base peuvent être sciées en position verticale contre le guide ou à plat sur la table. La taille maximale qui peut être sciée verticalement sur le guide est de 6-3/4 po (171mm) et de 13-1/2 po (343mm) à plat sur la table.

Reportez-vous au tableau ci-dessous, vous y trouverez des conseils utiles pour le sciage de moulures de base pour des coins à 90°.

La coupe de moulures de base peut être pratiquée comme coupe de fente ou comme coupe par glissement, suivant la largeur de l'ouvrage.

INSTRUCTIONS DE COUPE DE MOULURES DE BASE					
POSITION DE LA MOULURE SUR LA SCIE →		Moulure en position verticale : Dos de la moulure contre le guide		Moulure en position horizontale : Dos de la moulure à plat contre la table	
Angle de biseau →		Biseau=0°		Biseau=45°	
Partie de la moulure sciée →		À gauche du coin	À droite du coin	À gauche du coin	À droite du coin
Coin intérieur du mur 	Angle d'onglet	Gauche à 45°	Droit à 45°	0°	0°
	Position de la moulure sur la scie	Fond contre le table	Fond contre le table	Dessus contre le guide	Fond contre le guide
	Côté fini	Gardez le côté gauche de la coupe	Gardez le côté droit de la coupe	Gardez le côté gauche de la coupe	Gardez le côté gauche de la coupe
Coin extérieur du mur 	Angle d'onglet	Droit à 45°	Gauche à 45°	0°	0°
	Position de la moulure sur la scie	Fond contre le table	Fond contre le table	Fond contre le guide	Dessus contre le guide
	Côté fini	Gardez le côté gauche de la coupe	Gardez le côté droit de la coupe	Gardez le côté droit de la coupe	Gardez le côté droit de la coupe

Coupe de moulures en couronne

Les coupes de moulures de couronnement doivent être positionnées de façon appropriée pour assurer un réglage précis.

Il y a deux manières de scier des corniches, à plat sur la table ou en angle par rapport à la table et au guide.

L'angle de dévers de la corniche est l'angle entre l'arrière de la corniche et la surface plate inférieure qui est appliquée au mur.

La scie à onglets est dotée de crans d'onglet spéciaux à 31,5° et de biseau à 33,9°. Ces crans vous permettent de positionner facilement la plupart des corniches à plat sur la table et de faire des coupes précises pour des coins à 90°. REMARQUE : ces crans ne peuvent pas être utilisés avec les corniches à 45°. Ces crans ne fonctionnent qu'avec les corniches ayant un dévers de

38°.

Voir aussi page 122 Vous y trouverez des tableaux qui vous donnent les angles d'onglet et de biseau à utiliser pour couper des corniches avec dévers de 38° et 45°. Chaque tableau fournit les angles d'onglet et de biseau exacts pour des coins d'angles très variés.

Bien que ces angles soient standards, les coins de la plupart des pièces ne sont pas exactement à 90°. Il sera donc nécessaire d'affiner votre réglage.

Le Bosch GAM 220 MF et GAM 270 MFL Niveau/rapporteur/calculateur d'angles composés/rapporteur d'angle numérique MiterFinder en option permet de mesurer les angles de dévers et les angles de coins et de déterminer automatiquement les réglages exacts de l'onglet et du biseau qui sont nécessaires pour faire des coupes parfaites à chaque coin.

Opérations de la scie

MOULURE DE COURONNEMENT À UN ANGLE PAR RAPPORT À LA TABLE ET AU GUIDE

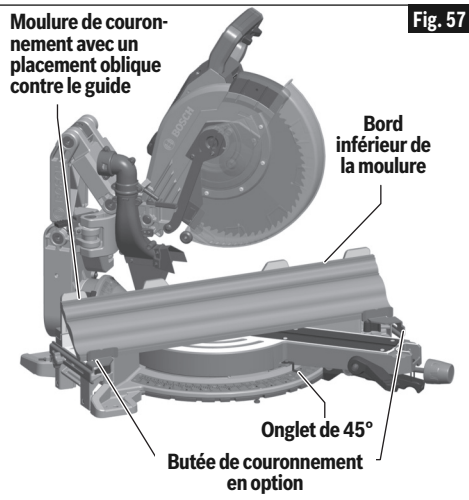
La méthode préférée pour couper une moulure de couronnement avec cette scie est de poser la moulure à plat sur la table. L'avantage de cette méthode de coupe d'une moulure de façon oblique contre le guide est qu'aucun réglage de biseau n'est requis. Seul l'angle d'onglet doit être ajusté. La largeur maximum de la moulure de couronnement qui peut être coupée avec un placement oblique par rapport à la table et au guide est de 6-1/2 po (165mm).

Lorsque vous coupez une moulure de couronnement de cette manière, il est recommandé d'acheter et d'utiliser le jeu de butée de couronnement en option (voir page 130).

Suivez ces instructions pour couper des moulures de couronnement avec un placement oblique par rapport à la table et au guide.

1. Positionnez la moulure de façon que le fond (la partie décorative, qui est installée contre le mur) est placé contre le guide.
2. Pour un coin à 90°, réglez l'angle d'onglet en utilisant le tableau ci-dessous. Serrez le bouton de verrouillage d'onglet.
3. Supportez la moulure de couronnement contre le guide (voir la rubrique consacrée à la position du corps et des mains à la page 100).

⚠ AVERTISSEMENT Soyez conscient de la trajectoire de la lame. Faites une passe de pratique avec la scie hors tension en réalisant une simulation du cycle de coupe, et observez la trajectoire projetée de la lame de scie. Gardez les mains à au moins six (6) pouces (152mm) de la trajectoire projetée de la lame de scie.



4. Suivez les procédures pour une coupe de cisaillement ou une coupe coulissante (voir pages 107-108).
5. Attendez que la lame cesse complètement de tourner avant de remettre l'ensemble de tête en position élevée et/ou de retirer l'ouvrage.

REMARQUE : faites toujours une coupe d'essai en utilisant un morceau de bois résiduel pour confirmer les angles corrects.

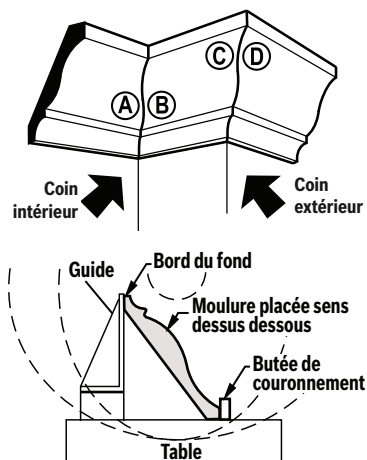
Opérations de la scie

Réglages des angles d'onglet et de biseau pour des coupes standard de moulures de couronnement

(lorsque l'ouvrage est placé de façon oblique par rapport au guide)

Hypothèses de travail : la moulure est fraisée de façon uniforme. Le coin est à un angle de 90°. Pour les autres angles de coins, divisez la mesure réelle par 2.

Pour toute moulure de couronnement jusqu'à 6 po (152mm)		
Remarque : placez toujours le bord du fond contre le guide	Réglage d'onglet (table)	Réglage du biseau (inclinaison)
Coin intérieur - Extrémité de gauche (A) Utilisez l'extrémité gauche de la coupe	45° à droite	0° à gauche
Extrémité de droite (B) Utilisez l'extrémité droite de la coupe	45° à gauche	0° à droite
Coin extérieur - Extrémité de gauche (C) Utilisez l'extrémité gauche de la coupe	45° à gauche	0° à droite
Extrémité de droite (D) Utilisez l'extrémité droite de la coupe	45° à droite	0° à gauche



Opérations de la scie

MOULURES EN COURONNE REPOSANT À PLAT SUR LA TABLE

REMARQUE : placez le dos de la pièce à plat sur la table

Placez toujours le bord supérieur de la corniche contre le guide (le bord décoratif se trouve en bas de la corniche).

L'angle de dévers est l'angle entre le mur et la corniche.

Selon la largeur de la pièce, on peut scier les corniches posées à plat sur la table soit en abaissant la lame soit en la faisant coulisser.

Référez-vous au guide auxiliaire spécial pour les coupes étroites lorsque vous coupez un couronnement à plat sur la table (voir page 123).

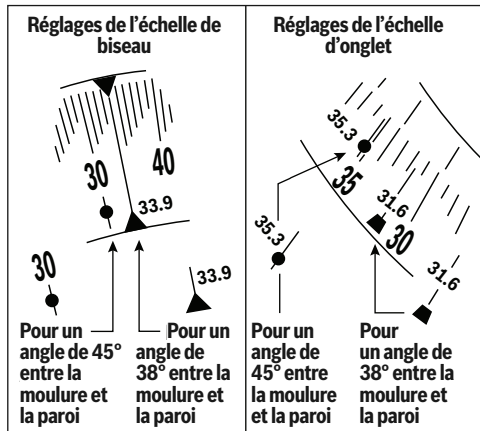
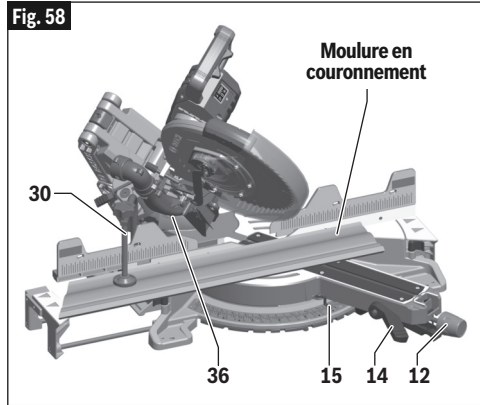
1. Pour les coins à 90°, réglez les angles d'onglet **15** et de biseau **36** en vous aidant des tableaux ci-dessous. Serrez le bouton de blocage de l'onglet **12** et le bouton de blocage du biseau **14**.
2. Placez la corniche à plat sur la table de la scie. Bridez la pièce à l'aide du serre-joint à action rapide **30**.

⚠ AVERTISSEMENT Utilisez une position de cramponnage qui ne gêne pas le fonctionnement. Avant de mettre en marche, abaissez la tête pour vous assurer d'un écartement suffisant entre le serre-joint, d'une part, et le protecteur et la tête, d'autre part.

⚠ AVERTISSEMENT Soyez conscient de la trajectoire de la lame. Faites une passe de pratique avec la scie hors tension en réalisant une simulation du cycle de coupe, et observez la trajectoire projetée de la lame de scie. Gardez les mains à au moins six (6) pouces (152mm) de la trajectoire projetée de la lame de scie.

3. Suivez les instructions pour la coupe de fente ou la coupe par glissement (voir pages 107-108).
4. Attendez que la lame s'immobilise complètement avant de remettre la tête à la position levée et/ou de retirer l'ouvrage.

REMARQUE : procédez toujours à une coupe d'essai à l'aide de matériaux de rebut pour confirmer les angles corrects.

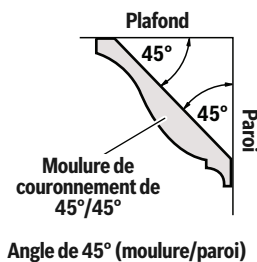
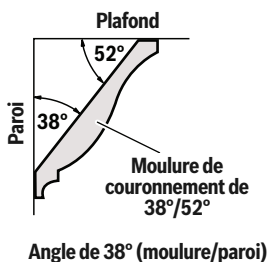
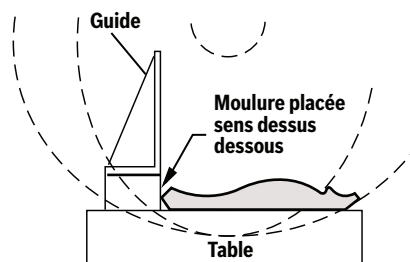
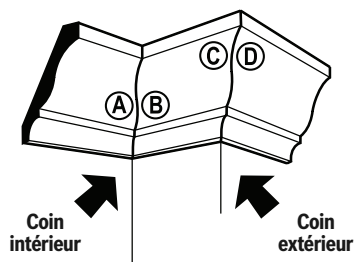


Opérations de la scie

Réglages des angles d'onglet et de biseau pour scier des corniches standard (Avec la moulure posée à plat sur la table)

On supposera : que la corniche est usinée de manière régulière et que le coin est exactement à 90°

Remarque : Placez toujours le bord du haut contre le guide	Angle de dévers de la corniche : 38°		Molding Spring Angle 45°	
	Réglage d'onglet (table)	Réglage du biseau (inclinaison)	Réglage d'onglet (table)	Réglage du biseau (inclinaison)
Coin intérieur - Extrémité de gauche (A) Utilisez l'extrémité gauche de la coupe	31,6° à droite	33,9° à gauche	35,3° à droite	30° à gauche
Extrémité de droite (B) Utilisez l'extrémité droite de la coupe	31,6° à gauche	33,9° à droite	35,3° à gauche	30° à droite
Coin extérieur - Extrémité de gauche (C) Utilisez l'extrémité gauche de la coupe	31,6° à gauche	33,9° à droite	35,3° à gauche	30° à droite
Extrémité de droite (D) Utilisez l'extrémité droite de la coupe	31,6° à droite	33,9° à gauche	35,3° à droite	30° à gauche



Opérations de la scie

Guide auxiliaire pour moulure de couronnement

⚠ AVERTISSEMENT Quand on scie en angle composé une corniche posée à plat sur la table, les chutes courtes (de longueur inférieure ou égale à 2 po [50mm]) risquent d'être éjectées à haute vitesse, de passer par-dessus le guide et d'être projetées au-delà de l'arrière de la scie (voir Fig. 59). Il faut utiliser un guide auxiliaire comme illustré aux figures ci-dessous.

Un guide auxiliaire est utilisé pour ajouter du support à la partie détachée de l'ouvrage, comme dans le cas d'une grande moulure de couronnement positionnée à plat sur la table (voir Fig. 60). Cela réduit les éclats et le mouvement de la chute qui n'est pas supportée après le sciage.

FABRICATION D'UN GUIDE AUXILIAIRE :

Pièces nécessaires :

Planche en bois (décrite ci-dessous)

4 – Vis à machine à tête fraisée – 1/4 po (M6) de diamètre;

2-1/2 pouces (65mm) de long

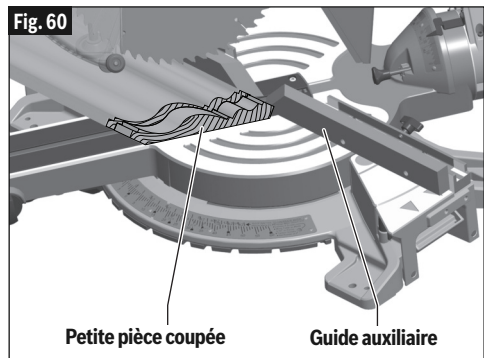
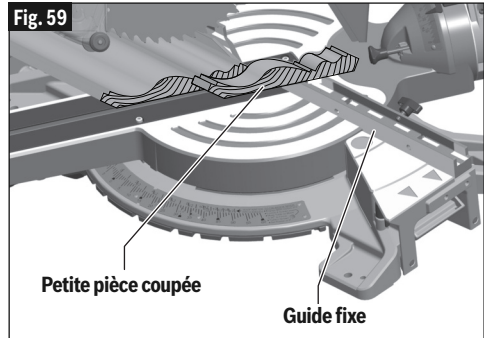
4 – Rondelles plates de 1/4 po (M6)

4 – Écrous

1. Coupez une planche de dimensions nominales 1 x 2 à une longueur de 26-1/16 po (662mm). Remarque : 1 x 2 pouces nominaux égalent 3/4 po x 1-1/2 po (19x38mm) réel. On peut également utiliser du contre-plaqué de 3/4 po (19mm) coupé à dimension.
2. Percez 4 trous débouchants dans la planche à l'aide d'un foret de diamètre 5/16 po (8mm). Fraisez les trous suffisamment profond pour que les têtes des vis fraisées ne dépassent pas de la surface frontale de la pièce – Fraisez avec un foret de 1/2 po (13mm). Voir Fig. 61.

Enlevez les guides coulissants de la machine – voir page 38.

1. Enfoncez les vis à tête fraisée par les trous du guide auxiliaire, puis par ceux du guide fixe de la machine.
2. Placez les rondelles et les écrous sur les filets des vis et amenez-les contre le guide fixe. Serrez les écrous.



PREMIÈRE UTILISATION DU GUIDE AUXILIAIRE :

Remarque : La première fois que vous utilisez le guide auxiliaire, il sera scié par la lame de scie – cela crée un jeu minimal, ce qui réduit les éclats sur la pièce. Réglez les angles d'onglet et d'inclinaison avant d'effectuer la première coupe.

⚠ AVERTISSEMENT Soyez conscient de la trajectoire de la lame. Faites une passe de pratique avec la scie hors tension en réalisant une simulation du cycle de coupe, et observez la trajectoire projetée de la lame de scie. Gardez les mains à au moins six (6) pouces (152mm) de la trajectoire projetée de la lame de scie.

Bridez la pièce puis sciez-la – exemple de sciage en angle composé d'une grande corniche posée à plat sur la table. Voir Fig. 58.

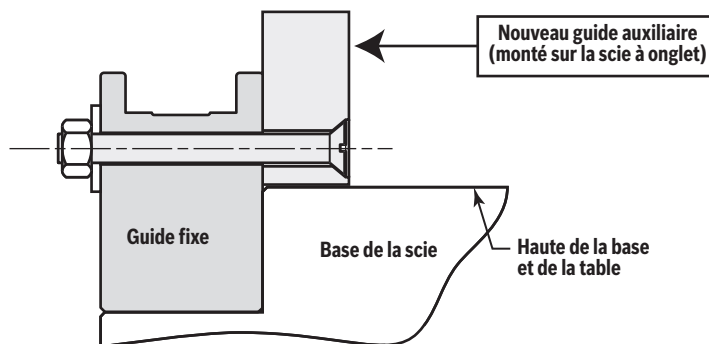
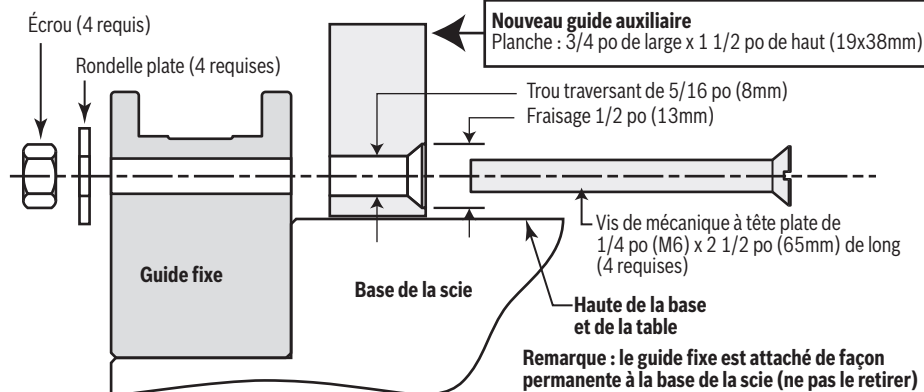
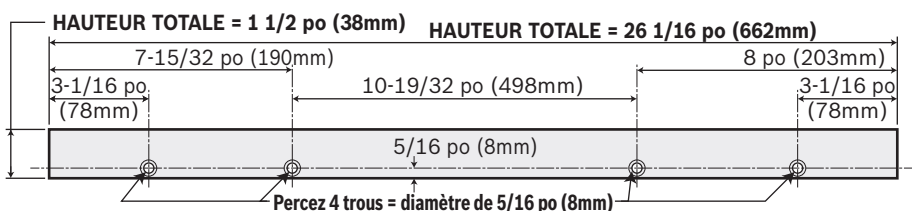
Opérations de la scie

Guide auxiliaire – L'utilisation d'un guide auxiliaire lors de la coupe d'une moulure de couronnement posée à plat sur la table réduit les risques d'éclatement de votre ouvrage et le mouvement des petites pièces détachées de l'ouvrage. Retirez les guides coulissants de la scie (voir page 102) avant d'attacher le guide auxiliaire.

Construisez un guide auxiliaire en suivant le modèle ci-dessous – Matériau : morceau de bois de 3/4 po x 1 1/2 po (19x38mm) .

Ajoutez 4 trous avec les dimensions indiquées sur le modèle – ou – Ajoutez des trous en suivant la procédure ci-après :

1. Coupez un morceau de bois aux dimensions extérieures indiquées et attachez-le temporairement au guide fixe de la scie en utilisant deux brides de fixation de type col de cygne.
2. Utilisez une mèche de perceuse de 1/4 po (6mm) pour percer d'abord à travers les trous existants à l'arrière du guide fixe, puis à travers le bois.
3. Retirez le morceau de bois, fraisez la partie avant du bois et attachez le guide de la scie de façon permanente avec la quincaillerie indiquée ci-dessous.



Opérations de la scie

Coupes spéciales

⚠ AVERTISSEMENT Trouvez une position pour la bride qui n'affecte pas l'opération de coupe. Avant de mettre la scie en marche, abaissez la tête de la scie pour vérifier que la bride ne se trouve pas sur la trajectoire du dispositif de protection et de la tête de la scie.

⚠ AVERTISSEMENT Soyez conscient de la trajectoire de la lame. Faites une passe de pratique avec la scie hors tension en réalisant une simulation du cycle de coupe, et observez la trajectoire projetée de la lame de scie. Gardez les mains à au moins six (6) pouces (152mm) de la trajectoire projetée de la lame de scie.

⚠ AVERTISSEMENT Pour établir un espace suffisant (au moins 6 po [152mm]) entre votre main et la lame de scie, sortez le guide à glissière et les rallonges de base quand vous réalisez des coupes extrêmes de biseau, d'onglet ou composées.

Le sciage de pièces courbes ou de pièces rondes représente deux exemples de sciages spéciaux.

COUPE DE MATÉRIAUX COURBÉS

Si l'ouvrage est courbé ou gondolé, crampez-le avec la face courbée extérieure dirigée vers le guide **8**. Assurez-vous toujours de l'absence d'un écartement entre l'ouvrage, le guide et la table le long de la ligne de coupe. Les ouvrages pliés ou gondolés peuvent se tordre ou culbuter, et peuvent faire gripper la lame de scie en rotation durant la coupe (Fig. 62).

COUPE DE MATÉRIAUX ROUNDS OU DE FORME IRRÉGULIÈRE

Pour les matériaux ronds tels que les goujons ou les tubes, utilisez toujours un serre-joint **30** ou un dispositif conçu de manière à cramponner l'ouvrage fermement contre le guide et la table. Les goujons ont tendance à rouler pendant qu'on les coupe, ce qui amène la lame à « mordre » et tire l'ouvrage et votre main dans la lame (Fig. 63).

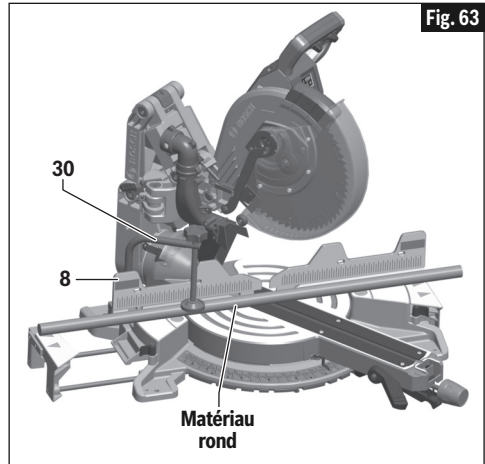
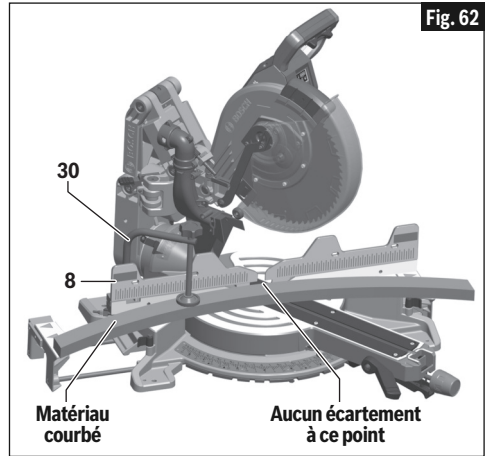


Fig. 62

Fig. 63

Maintenance et lubrification

⚠ AVERTISSEMENT Pour éviter le risque d'accidents, débranchez le bloc-piles de l'outil avant de procéder au nettoyage ou à l'entretien.

Service

⚠ AVERTISSEMENT Toutes les réparations d'outils doivent être effectuées par un centre de service après-vente usine de Bosch ou un poste de service agréé par Bosch. Une maintenance préventive effectuée par du personnel non autorisé peut entraîner un mauvais positionnement des câbles internes et des composants, ce qui pourrait entraîner des risques graves.

non autorisée peut entraîner le mauvais placement de fils et d'éléments internes, ce qui pourrait constituer un danger grave. Nous recommandons que tout entretien de l'outil soit réalisé par un centre de service après-vente usine ou un centre de service après-vente agréé de Bosch.

Lubrifiez périodiquement les pièces en mouvement à l'aide de silicone ou d'huile légère en vaporisateur. N'utilisez pas de graisse parce qu'elle a tendance à attirer et retenir le bran de scie.

Piles

Faire attention aux blocs-piles qui approchent la fin de leur vie. Si vous remarquez une diminution dans les performances de votre outil ou une durée de fonctionnement réduite de manière significative entre charges, il est temps de remplacer le bloc-piles. S'il n'est pas remplacé, il se peut qu'il endommage le chargeur ou que l'outil fonctionne incorrectement.

Roulements

Tous les roulements de cet outil sont lubrifiés à l'aide d'une quantité suffisante de lubrifiant de haute qualité pour toute la durée de l'outil dans des conditions normales d'utilisation. Aucune lubrification ultérieure n'est nécessaire.

Nettoyage

⚠ MISE EN GARDE Certains produits de nettoyage et dissolvants dont la gazoline, le tétrachlorure de carbone, les nettoyeurs chlorés, l'ammoniaque et les détergents ménagers contenant de l'ammoniaque peuvent abîmer les pièces en plastique.

Gardez les prises d'air et les interrupteurs propres et libres de débris. N'essayez pas de les nettoyer en introduisant des objets pointus dans leurs ouvertures.

Vérifiez régulièrement pour vous assurer que le protecteur inférieur et toutes les pièces en mouvement fonctionnent adéquatement. aspirateur pour enlever la sciure de bois ou les débris qui pourraient gêner le fonctionnement du dispositif de protection inférieur.

Entretien des lames

Les lames finissent par s'é mousser, même à couper des pièces de bois régulières. Si vous constatez que vous devez forcer la scie à avancer plutôt que de la guider simplement vers la ligne de coupe, il est probable que la lame est émoussée ou souillée de résine.

Lorsque vous voulez nettoyer la lame pour en retirer de la gomme et de la poix végétale, détachez d'abord le bloc-piles et retirez la lame. Souvenez-vous que les lames sont des objets tranchants et qu'elles doivent être manipulées avec soin. Essayez la lame avec du kérosène ou un dissolvant similaire pour enlever l'accumulation de gomme et de résine. À moins que vous soyez parfaitement familier avec l'affûtage des lames, nous vous déconseillons de l'essayer.

Graissage de l'outil

⚠ AVERTISSEMENT Toute maintenance préventive effectuée par une personne

Dépannage

Guide de dépannage – Électrique

PROBLÈME	CAUSE	ACTION CORRECTRICE
Le frein n'arrête pas la lame dans un délai de 5 secondes.	<ol style="list-style-type: none"> 1. Boulon de lame desserré. 2. Autre 	<ol style="list-style-type: none"> 1. Serrez le boulon de lame. 2. Service agréé.
Le moteur ne démarre pas.	<ol style="list-style-type: none"> 1. Le bloc-piles n'est pas chargé. 2. Le bloc-piles n'as pas été installé correctement. 3. La température du bloc-piles est trop élevée ou trop basse pour permettre le fonctionnement. 4. Le dispositif de protection électronique du moteur a mis le moteur hors tension. 5. L'interrupteur est grillé. 6. Autre 	<ol style="list-style-type: none"> 1. Chargez ce dernier si nécessaire. 2. Confirmez que le bloc-piles est verrouillé en place et assujetti à l'outil. 3. Laissez le bloc-piles reposer quelques minutes ou jusqu'à ce qu'il atteigne la température de fonctionnement normale. 4a. Retirez la pile et remplacez-la. 4b. Laissez l'outil reposer pendant quelques minutes ou jusqu'à ce qu'il atteigne la température de fonctionnement normale. 5. Faites remplacer l'interrupteur par un centre de service après-vente agréé ou un centre de réparation de Bosch. 6. Service agréé.

Dépannage

Guide de dépannage – Généralités

PROBLÈME	CAUSE	ACTION CORRECTRICE
L'ensemble de la tête ne s'incline pas à la position désirée.	<ol style="list-style-type: none"> 1. Le goujon de détente de biseau est engagé et il verrouille l'angle du biseau à 33,9°. 2. Le réglage du bouton d'effacement des crans de biseau limite le mouvement. 	<ol style="list-style-type: none"> 1. Tirez sur le goujon de détente de biseau à 33,9° pour le faire sortir, puis faites tourner le goujon d'un quart de tour pour le garder sorti. 2. Changez la position du bouton du sélecteur de plage de biseau (voir page 113).
La lame se heurte contre la table.	Défaut d'alignement.	Service agréé.
L'angle de coupe n'est pas exact.	Les butées des angles de 0° et de 45° doivent faire l'objet d'un réglage.	Voir section Réglages (pages 84 – 93).
Il n'est pas possible de faire tourner la table pour changer l'angle d'onglet.	<ol style="list-style-type: none"> 1. Le bouton de verrouillage de l'onglet est serré. 2. Le levier de détente d'onglet est engagé avec une détente (fente) dans la plaque de détente. 3. Accumulation de sciure de bois. 	<ol style="list-style-type: none"> 1. Tournez le bouton de verrouillage d'onglet dans le sens contraire des aiguilles d'une montre pour le desserrer. 2. Tirez sur le levier de détente d'onglet pour le désengager de la fente de détente (voir page 106). 3. Passez l'aspirateur sur la plaque tournante ou utilisez une soufflante pour chasser la sciure de bois qui s'y trouve ; portez un dispositif de protection des yeux.
La tête ne lève pas complètement ou le protecteur de lame ne se ferme pas complètement.	<ol style="list-style-type: none"> 1. Le goujon de verrouillage de l'ensemble de tête est engagé. 2. Accumulation de sciure de bois. 3. Accumulation de sciure de bois. 	<ol style="list-style-type: none"> 1. Tirez sur le goujon de verrouillage pour le faire sortir en laissant l'ensemble de tête remonter (voir page 86). 2. Nettoyez la tête. 3. Service agréé.
La lame grippe, se coince, brûle du bois. Coupes grossières.	<ol style="list-style-type: none"> 1. Opération inappropriée. 2. Lame émoussée. 3. Lame inappropriée. 4. Lame pliée. 	<ol style="list-style-type: none"> 1. Voir la section Opérations de la scie. 2. Remplacez ou affûtez la lame. 3. Remplacez par une lame de 12 po (305mm) de diamètre conçue pour le matériau à couper. 4. Remplacez la lame.
La tête glisse vers l'avant et l'arrière en pratiquant une coupe de fente.	Le levier de verrouillage du mécanisme est désengagé.	Tirez sur la languette du levier de verrouillage du mécanisme pour l'engager (voir page 85).

Dépannage

Guide de dépannage – Généralités

PROBLÈME	CAUSE	ACTION CORRECTRICE
L'angle du biseau n'est pas maintenu fermement quand on appuie sur le levier de verrouillage du biseau.	La tension du levier de verrouillage du biseau doit faire l'objet d'un réglage.	Augmentez la force du levier de verrouillage du biseau en réglant l'écrou de tension (voir page 89).
Il est difficile de faire avancer ou reculer le mécanisme coulissant.	Le contrôleur du mouvement coulissant est réglé de façon trop rigide.	Desserrez deux vis sur le contrôleur du mouvement (voir page 84).
L'outil vibre ou tremble.	<ol style="list-style-type: none"> 1. La lame de scie n'est pas ronde. 2. La lame de scie est abîmée. 3. La lame de scie est desserrée. 4. Autre 	<ol style="list-style-type: none"> 1. Remplacez la lame. 2. Remplacez la lame. 3. Assurez-vous que la lame est bien en place sur la rondelle intérieure. Voir la rubrique Retrait et installation des lames aux pages 81 – 82. 4. Service agréé.
La tête ne glisse pas librement lorsque l'on tente une coupe par glissement.	Le levier de verrouillage du mécanisme est engagé.	Appuyez sur le levier de verrouillage du mécanisme pour désengager (voir page 85).
La lame ne coupe pas complètement l'ouvrage .	<ol style="list-style-type: none"> 1. La plaque de butée en profondeur est retirée pour les coupes non transversantes. 2. La lame de rechange a un diamètre inférieur à 12 po (305mm). 	<ol style="list-style-type: none"> 1. Poussez la plaque de butée pour la profondeur de coupe vers l'intérieur afin de la régler pour les coupes les plus profondes (voir page 86). 2. Remplacez-la par une lame ayant réellement un diamètre de 12 po (305mm).
La lame de la scie ou le dispositif de protection inférieur coupe le guide coulissant ou entre en contact avec lui lorsque la scie est réglée pour des coupes en biseau.	Le guide coulissant n'est pas éjecté de la course de la lame de scie avant la réalisation de la coupe en biseau.	Déplacez le guide coulissant pour qu'il n'entrave pas le fonctionnement du dispositif de protection inférieur et de la lame de la scie ; effectuez une coupe fictive pour vérifier le jeu avant de réaliser des coupes en biseau (voir pages 112–115).
L'angle du biseau n'est pas maintenu fermement quand le levier de verrouillage du biseau est verrouillé.	La tension du levier de verrouillage du biseau doit être ajustée.	Augmentez la tension du levier de verrouillage du biseau en ajustant le contre-écrou (voir page 89).

Attachements/Accessoires

GAM 220 MF et GAM 270 MFL Calculateur d'angle numérique / Calculateur de coupe composite / Rapporteur / Niveau – Il vous fournit les données dont vous avez besoin pour positionner les coupes de manière à ce qu'elles s'ajustent précisément même quand le coin n'est pas d'équerre.

MS1233 Jeu de butée de couronnement – Tenez correctement la moulure de couronnement en position inclinée contre le guide. Réglez la moulure pour une coupe verticale simple – il n'est pas nécessaire de faire une coupe composée.

Support de scie à onglets portatif T1B

Support de scie à onglet sur roues GTA3800

Support de scie à onglet sur roues T4B Gravity-Rise

Kit d'arrêt de longueur MS1234

Lames

Símbolos de seguridad

Las definiciones que aparecen a continuación describen el nivel de gravedad de cada palabra de señal de seguridad. Por favor, lea el manual y preste atención a estos símbolos.





	Este es el símbolo de alerta de seguridad. Se utiliza para alertarle a usted de posibles peligros de lesiones corporales. Obedezca todos los mensajes de seguridad que sigan a este símbolo para evitar posibles lesiones o muerte.
	PELIGRO indica una situación peligrosa que, si no se evita, causará la muerte o lesiones graves.
	ADVERTENCIA indica una situación peligrosa que, si no se evita, podría causar la muerte o lesiones graves.
	PRECAUCIÓN indica una situación peligrosa que, si no se evita, podría causar lesiones leves o moderadas.

Tabla de contenido

Advertencias generales de seguridad para herramientas mecánicas	132	Procedimiento de ajuste	153
1. Seguridad del área de trabajo	132	Ajuste del inserto de sección de corte	154
2. Seguridad eléctrica	132	Tope de bisel de 0° – Procedimiento de ajuste	154
3. Seguridad personal	132	Tope de bisel de 45° – Procedimiento de ajuste	156
4. Uso y cuidado de las herramientas mecánicas	133	Ajuste de la tensión del cierre de bisel	158
5. Uso y cuidado de las herramientas alimentadas por baterías	133	Ajuste del perno estabilizador delantero	159
6. Servicio de ajustes y reparaciones	134	Transporte y montaje	160
Normas de seguridad para sierras para cortar ingletes	134	Aplicaciones de montaje	161
Advertencias de seguridad adicionales	136	Preparación para las operaciones de la sierra	162
Licencias	137	Activación del interruptor	162
Requisitos eléctricos	137	Luz LED incorporada	162
Símbolos	138	Guía de línea láser	162
Familiarización con la sierra para cortar ingletes	140	Interfaz del usuario (Fig. 30)	163
Uso previsto	143	Conectividad	164
Capacidades de corte	143	Posición del cuerpo y de las manos	165
Especificaciones	143	Soporte de la pieza de trabajo	167
Desempaquetado y comprobación del contenido	144	Operaciones de la sierra	171
Herramientas necesarias para el ensamblaje y la alineación	145	Utilización del sistema de retén de inglete	171
Ensamblaje	146	Sobrecontrol del retén de inglete	171
Instalación de las piezas sueltas	146	Cortes de troceado	172
Inserción y liberación del paquete de batería	146	Cortes deslizantes	173
Remoción e instalación de las hojas	147	Cortes a inglete	174
Ensamblaje del sistema de recolección de polvo	148	Cortes en bisel	177
Ajustes	150	Cortes compuestos	181
Utilización del pasador de fijación del ensamblaje del cabezal	150	Corte de ranuras	182
Utilización del controlador del movimiento deslizante	150	Corte de moldura de corona	183
Utilización de la palanca de fijación del mecanismo	151	Corte de moldura de base	183
Ajustes de la profundidad de corte	152	Tope-guía auxiliar para moldura de corona	187
Sistema de retén de inglete –		Cortes especiales	189
		Mantenimiento y lubricación	190
		Localización y reparación de averías	191
		Aditamentos/Accesorios	193

Advertencias generales de seguridad para herramientas mecánicas

⚠ ADVERTENCIA Lea todas las advertencias de seguridad, instrucciones, ilustraciones y especificaciones suministradas con esta herramienta eléctrica. Si no se siguen todas las instrucciones que se indican a continuación, es posible que el resultado sea descargas eléctricas, incendio y/o lesiones graves.

GUARDE TODAS LAS ADVERTENCIAS E INSTRUCCIONES PARA REFERENCIA FUTURA

La expresión “herramienta mecánica” en las advertencias se refiere a su herramienta mecánica alimentada por la red eléctrica (herramienta alámbrica) o su herramienta mecánica alimentada por baterías (herramienta inalámbrica).

1. Seguridad del área de trabajo

- a. **Mantenga el área de trabajo limpia y bien iluminada.** Las áreas desordenadas u oscuras evitan a que se produzcan accidentes.
- b. **No utilice herramientas mecánicas en atmósferas explosivas, como por ejemplo en presencia de líquidos, gases o polvos inflamables.** Las herramientas mecánicas generan chispas que pueden encender el polvo o los vapores.
- c. **Mantenga alejados a los niños y a las personas que estén presentes mientras esté utilizando una herramienta mecánica.** Las distracciones pueden hacerle perder el control de la herramienta.

2. Seguridad eléctrica

- a. **Los enchufes de las herramientas mecánicas deben coincidir con el tomacorriente. No modifique nunca el enchufe de ningún modo. No use enchufes adaptadores con herramientas mecánicas conectadas a tierra (puestas a tierra).** Los enchufes no modificados y los tomacorrientes coincidentes reducirán el riesgo de sacudidas eléctricas.
- b. **Evite el contacto del cuerpo con las superficies conectadas o puestas a tierra, tales como tuberías, radiadores, estufas y refrigeradores.** Hay un aumento del riesgo de sacudidas eléctricas si el cuerpo del operador se conecta o pone a tierra.
- c. **No exponga las herramientas mecánicas a la lluvia o a condiciones mojadas.** La entrada de agua en una herramienta mecánica aumentará el riesgo de que se produzcan sacudidas eléctricas.
- d. **No maltrate el cordón de energía. No use nunca el cordón para transportar la herramienta mecánica, tirar de ella o desenchufarla. Mantenga el cordón alejado del calor, el aceite, los bordes afilados o las piezas móviles.** Los cordones dañados o enganchados aumentan el riesgo de que se produzcan sacu-

didadas eléctricas.

- e. **Cuando utilice una herramienta mecánica en el exterior, use un cordón de extensión adecuado para uso a la intemperie.** La utilización de un cordón adecuado para uso a la intemperie reduce el riesgo de que se produzcan sacudidas eléctricas.
- f. **Si es inevitable utilizar una herramienta mecánica en un lugar húmedo, utilice una fuente de energía protegida por un interruptor de circuito accionado por corriente de pérdida a tierra (GFCI).** El uso de un GFCI reduce el riesgo de sacudidas eléctricas.

3. Seguridad personal

- a. **Manténgase alerta, fijese en lo que está haciendo y use el sentido común cuando esté utilizando una herramienta mecánica. No use una herramienta mecánica cuando esté cansado o bajo la influencia de drogas, alcohol o medicamentos.** Un momento de distracción mientras esté utilizando herramientas mecánicas podría causar lesiones corporales graves.
- b. **Use equipo de protección personal. Use siempre protección de los ojos.** El equipo de protección, como por ejemplo una máscara antipolvo, calzado de seguridad antideslizante, casco o protección de oídos, utilizado para las condiciones apropiadas, reducirá las lesiones corporales.
- c. **Evite el arranque accidental. Asegúrese de que el interruptor esté en la posición de apagado antes de conectar la herramienta a la fuente de energía y / o al paquete de batería, levantar la herramienta o transportarla.** Transportar herramientas mecánicas con un dedo en el interruptor o encender herramientas mecánicas que tengan el interruptor en la posición de encendido invita a que se produzcan accidentes.
- d. **Quite todas las llaves de ajuste o de tuerca antes de encender la herramienta mecánica.**

Advertencias generales de seguridad para herramientas mecánicas

- Una llave de tuerca o de ajuste que se deje colocada en una pieza giratoria de la herramienta mecánica podría causar lesiones corporales.
- e. **No intente alcanzar demasiado lejos. Mantenga un apoyo de los pies y un equilibrio apropiados en todo momento.** Esto permite controlar mejor la herramienta mecánica en situaciones inesperadas.
 - f. **Vístase adecuadamente. No use ropa holgada ni alhajas holgadas. Mantenga el pelo, la ropa y los guantes alejados de las piezas móviles.** La ropa holgada, las alhajas holgadas o el pelo largo pueden quedar atrapados en las piezas móviles.
 - g. **Si se proporcionan dispositivos para la conexión de instalaciones de extracción y recolección de polvo, asegúrese de que dichas instalaciones estén conectadas y se usen correctamente.** El uso de dispositivos de recolección de polvo puede reducir los peligros relacionados con el polvo.
 - h. **No deje que la familiaridad obtenida con el uso frecuente de las herramientas le haga volverse complaciente e ignorar los principios de seguridad de las herramientas.** Una acción descuidada puede causar lesiones graves en una fracción de segundo.
- tas mecánicas son peligrosas en manos de usuarios que no hayan recibido capacitación.
- e. **Mantenga las herramientas eléctricas y sus accesorios. Compruebe si hay piezas móviles desalineadas o atoradas, si hay piezas rotas y cualquier otra situación que pueda afectar al funcionamiento de la herramienta eléctrica. Si la herramienta eléctrica está dañada, haga que sea reparada antes de utilizarla.** Muchos accidentes son causados por herramientas mecánicas mantenidas deficientemente.
 - f. **Mantenga las herramientas de corte afiladas y limpias.** Es menos probable que las herramientas de corte mantenidas apropiadamente, con bordes de corte afilados, se atoren, y dichas herramientas son más fáciles de controlar.
 - g. **Utilice la herramienta mecánica, los accesorios, las brocas de la herramienta, etc., de acuerdo con estas instrucciones, teniendo en cuenta las condiciones de trabajo y el trabajo que se vaya a realizar.** El uso de la herramienta mecánica para operaciones distintas a aquéllas para las que fue diseñada podría causar una situación peligrosa.
 - h. **Mantenga secos, limpios y libres de aceite y grasa los mangos y las superficies de agarre.** Si están resbalosos, los mangos y las superficies de agarre no permiten un manejo y un control seguros de la herramienta en situaciones inesperadas.

4. Uso y cuidado de las herramientas mecánicas

- a. **No fuerce la herramienta mecánica. Use la herramienta mecánica correcta para la aplicación que desee realizar.** La herramienta mecánica correcta hará el trabajo mejor y con más seguridad a la capacidad nominal para la que fue diseñada.
- b. **No use la herramienta mecánica si el interruptor no la enciende y apaga.** Toda herramienta mecánica que no se pueda controlar con el interruptor es peligrosa y debe ser reparada.
- c. **Desconecte el enchufe de la fuente de alimentación y/o retire el paquete de batería de la herramienta eléctrica, si es extraíble, antes de hacer cualquier ajuste, cambiar accesorios o almacenar herramientas eléctricas.** Dichas medidas preventivas de seguridad reducen el riesgo de arrancar accidentalmente la herramienta mecánica.
- d. **Guarde las herramientas que no esté usando fuera del alcance de los niños y no deje que personas que no estén familiarizadas con la herramienta mecánica o con estas instrucciones utilicen la herramienta.** Las herramientas

5. Uso y cuidado de las herramientas alimentadas por baterías

- a. **Recargue las baterías solamente con el cargador especificado por el fabricante.** Un cargador que es adecuado para un tipo de paquete de batería puede crear un riesgo de incendio cuando se utiliza con otro paquete de batería.
- b. **Utilice las herramientas mecánicas solamente con paquetes de batería designados específicamente.** El uso de cualquier otro paquete de batería puede crear un riesgo de lesiones e incendio.
- c. **Cuando el paquete de batería no se esté usando, manténgalo alejado de otros objetos metálicos, tales como sujetapapeles, monedas, llaves, clavos, tornillos u otros objetos metálicos pequeños que pueden hacer una conexión de un terminal a otro.** Si se cortocircuitan los terminales de la batería uno con otro, se pueden causar quemaduras o un incendio.

Advertencias generales de seguridad para herramientas mecánicas

- d. **En condiciones abusivas, es posible que se eyecte líquido de la batería. Evite el contacto. Si se produce un contacto accidental, enjuáguese con agua. Si el líquido entra en contacto con los ojos, obtenga además ayuda médica.** El líquido que salga eyectado de la batería puede causar irritación o quemaduras.
- e. **No utilice un paquete de batería o una herramienta que hayan sido dañados o modificados.** Es posible que las baterías dañadas o modificadas exhiban un comportamiento impredecible que cause un incendio, una explosión o riesgo de lesiones.
- f. **No exponga un paquete de batería o una herramienta a un fuego o una temperatura excesiva.** Es posible que la exposición a un fuego o una temperatura superior a 265 °F cause una explosión.
- g. **Siga todas las instrucciones de carga y no cargue el paquete de batería ni la herramienta fuera del intervalo de temperatura especi-**

cado en las instrucciones. Es posible que realice una carga incorrectamente o a temperaturas que estén fuera del intervalo especificado dañe la batería y aumente el riesgo de incendio.

6. Servicio de ajustes y reparaciones

- a. **Haga que su herramienta mecánica reciba servicio de un técnico de reparaciones calificado, utilizando únicamente piezas de repuesto idénticas.** Esto asegurará que se mantenga la seguridad de la herramienta mecánica.
- b. **No haga nunca servicio de ajustes y reparaciones de paquetes de batería dañados.** El servicio de ajustes y reparaciones de los paquetes de batería deberá ser realizado únicamente por el fabricante o por proveedores de servicio autorizados.

Normas de seguridad para sierras para cortar ingletes

- a. **Las sierras ingletadoras están diseñadas para cortar madera o productos tipo madera, y no se pueden utilizar con ruedas de corte abrasivo para cortar material ferroso, tal como barras, varillas, espárragos, etc.** El polvo abrasivo hace que las piezas móviles, tales como el protector inferior, se atoren. Las chispas generadas por el corte abrasivo quemarán el protector inferior, el inserto de sección de corte y otras piezas de plástico.
- b. **Utilice abrazaderas para soportar la pieza de trabajo siempre que sea posible. Si soporta la pieza de trabajo con la mano, debe mantener siempre la mano por lo menos a 100 mm (4 pulgadas) de cualquiera de los dos lados de la hoja de sierra. No utilice esta sierra para cortar piezas de trabajo que sean demasiado pequeñas para fijarlas con abrazaderas o sujetarlas con la mano.** Si coloca la mano demasiado cerca de la hoja de sierra, existe un mayor riesgo de lesiones por causa de contacto con la hoja.
- c. **La pieza de trabajo debe estar estacionaria y fijada con abrazaderas o sujeta tanto contra el tope-guía como contra la mesa. No haga avanzar la pieza de trabajo hacia la hoja ni corte "a pulso" de ninguna manera.** Las piezas de trabajo sin restricción o que se muevan podrían ser lanzadas a alta velocidad

y causar lesiones.

- d. **Empuje la sierra a través de la pieza de trabajo. No jale la sierra a través de la pieza de trabajo. Para hacer un corte, suba el cabezal de la sierra y jálelo hacia fuera sobre la pieza de trabajo sin cortar, arranque el motor, presione hacia abajo el cabezal de la sierra y empuje la sierra a través de la pieza de trabajo.** Es probable que el corte en la carrera de tracción haga que la hoja de sierra trepe y se salga de la pieza de trabajo, y que al hacerlo lance violentamente el ensamblaje de la hoja hacia el operador.
- e. **No cruce nunca la mano por encima de la línea de corte prevista ni delante o detrás de la hoja de sierra.** Soportar la pieza de trabajo "con la mano cruzada", es decir, sujetando la pieza de trabajo a la derecha de la hoja de sierra con la mano izquierda o vice versa es muy peligroso.
- f. **No ponga las manos detrás del tope guía con cualquiera de ellas a menos de 100 mm (4 pulgadas) de cualquiera de los dos lados de la hoja de sierra, para eliminar desechos de madera ni por cualquier otro motivo mientras la hoja esté girando.** Puede que la proximidad de la mano a la hoja que gira no sea obvia y es posible que usted sufra lesiones graves.

Normas de seguridad para sierras para cortar ingletes

- g. **Inspeccione la pieza de trabajo antes de cortarla.** Si la pieza de trabajo está arqueada o combada, sujétela con abrazaderas con la cara arqueada exterior orientada hacia el tope-guía. Asegúrese siempre de que no haya holgura entre la pieza de trabajo, el tope-guía y la mesa a lo largo de la línea de corte. Las piezas de trabajo curvadas o arqueadas pueden torcerse o moverse y es posible que causen atoramiento de la hoja de sierra que gira durante el corte. No deberá haber clavos ni objetos extraños en la pieza de trabajo.
- h. **No utilice la sierra hasta que la mesa esté despejada de todas las herramientas, desechos de madera, etc., excepto por la pieza de trabajo.** Los residuos pequeños o los pedazos de madera sueltos u otros objetos que entren en contacto con la hoja cuando esté girando pueden ser lanzados a alta velocidad.
- i. **Corte solamente una pieza de trabajo a la vez.** No se pueden fijar con abrazaderas ni sujetar adecuadamente múltiples piezas de trabajo apiladas y es posible que dichas piezas se atoren en la hoja o se muevan durante el corte.
- j. **Asegúrese de que la sierra ingletadora esté montada o colocada sobre una superficie nivelada y firme antes de utilizarla.** Una superficie de trabajo nivelada y firme reduce el riesgo de que la sierra ingletadora se vuelva inestable.
- k. **Planifique el trabajo que vaya a realizar. Cada vez que cambie el ajuste del ángulo de bisel o de inglete, asegúrese de que el tope-guía ajustable esté ajustado correctamente para soportar la pieza de trabajo y no interfiera con la hoja ni con el sistema de protección.** Sin “ENCENDER” la herramienta y sin pieza de trabajo en la mesa, mueva la hoja de sierra a través de un corte simulado completo para asegurarse de que no habrá interferencia ni peligro de cortar el tope-guía.
- l. **Proporcione soporte adecuado, tal como extensiones de la mesa, caballetes de aserrar, etc., para una pieza de trabajo que sea más ancha o más larga que el tablero de la mesa.** Las piezas de trabajo más largas o más anchas que la sierra ingletadora se pueden inclinar si no se soportan de manera segura. Si la pieza cortada o la pieza de trabajo se inclina, puede elevar el protector inferior o ser arrojada por la hoja que gira.
- m. **No utilice a otra persona como sustituto de una extensión de la mesa ni como soporte adicional.** Un soporte inestable para la pieza de trabajo puede hacer que la hoja se atore o que la pieza de trabajo se mueva durante la operación de corte y les jale a usted y al auxiliar hacia la hoja que gira.
- n. **La pieza cortada no debe estar atorada ni presionada por ningún medio contra la hoja de sierra mientras esté girando.** Si la pieza cortada está confinada, es decir, si se utilizan topes de longitud, podría ser atrapada en cuña contra la hoja y ser arrojada violentamente.
- o. **Utilice siempre una abrazadera o un dispositivo de fijación diseñado para soportar adecuadamente material redondo, tal como varillas o tubos.** Las varillas tienen tendencia a rodar mientras están siendo cortadas, con lo cual hacen que la hoja “agarre” y jale la pieza de trabajo con la mano del operador hacia la hoja.
- p. **Deje que la hoja alcance su máxima velocidad antes de entrar en contacto con la pieza de trabajo.** Esto reducirá el riesgo de que la pieza de trabajo sea lanzada.
- q. **Si la pieza de trabajo o la hoja se atoran, apague la sierra ingletadora. Espere a que todas las piezas móviles se detengan y desconecte el enchufe de la fuente de alimentación y/o retire el paquete de batería. Luego, trabaje para liberar el material atorado.** Un aserrado continuo con una pieza de trabajo atorada podría causar pérdida de control o daño a la sierra ingletadora.
- r. **Después de acabar el corte, suelte el interruptor, sujete el cabezal de la sierra hacia abajo y espere a que la hoja se detenga antes de retirar la pieza cortada.** Poner las manos cerca de la hoja cuando está desacelerando es peligroso.
- s. **Agarre firmemente el asa cuando haga un corte incompleto o cuando suelte el interruptor antes de que el cabezal de la sierra esté completamente en la posición hacia abajo.** Es posible que la acción de frenado de la sierra haga que el cabezal de la sierra sea jalado repentinamente hacia abajo, lo cual causará un riesgo de lesiones.
- t. **Evite sobrecalentar las puntas de la hoja de sierra.**

Advertencias de seguridad adicionales

Un GFCI y los dispositivos de protección personal, como guantes de goma y calzado de goma de electricista, mejorarán más su seguridad personal.

No use herramientas mecánicas con capacidad nominal solamente para CA con una fuente de energía de CC. Aunque pueda parecer que la herramienta funciona correctamente, es probable que los componentes eléctricos de la herramienta con capacidad nominal para CA fallen y creen un peligro para el operador.

Mantenga los mangos secos, limpios y libres de aceite y grasa. Las manos resbalosas no pueden controlar de modo seguro la herramienta mecánica.

Desarrolle un programa de mantenimiento periódico de la herramienta. Cuando limpie una herramienta, tenga cuidado de no desmontar ninguna de sus partes, ya que los cables internos podrían reubicarse incorrectamente o pellizcarse, o los resortes de retorno de los protectores de seguridad podrían montarse incorrectamente. Ciertos agentes de limpieza, tales como gasolina, tetracloruro

de carbono, amoníaco, etc., podrían dañar las piezas de plástico.

⚠ ADVERTENCIA **Cierto polvo generado por el lijado, aserrado, amolado y taladrado mecánicos, y por otras actividades de construcción, contiene agentes químicos que se sabe que causan cáncer, defectos de nacimiento u otros daños sobre la reproducción. Algunos ejemplos de estos agentes químicos son:**

- Plomo de pinturas a base de plomo,
- Sílice cristalina de ladrillos y cemento y otros productos de mampostería, y
- Arsénico y cromo de madera tratada químicamente.

Su riesgo por causa de estas exposiciones varía, dependiendo de con cuánta frecuencia realice este tipo de trabajo. Para reducir su exposición a estos agentes químicos: trabaje en un área bien ventilada y trabaje con equipo de seguridad aprobado, como por ejemplo máscaras antipolvo que estén diseñadas especialmente para impedir mediante filtración el paso de partículas microscópicas.

⚠ ADVERTENCIA **No utilice la sierra ingletadora Bosch GCM18V-12GDC para cortar panel de fibrocemento. Es posible que el corte de materiales que contengan sílice cristalina cree exposiciones a polvo de sílice respirable.**

⚠ ADVERTENCIA **Antes de cada uso, lea todas las advertencias que se encuentran en la sierra ingletadora.**



La utilización de cualquier herramienta mecánica puede causar la proyección de objetos extraños hacia los ojos, lo cual puede ocasionar daños graves en los ojos. Use siempre gafas de seguridad conforme a ANSI Z87.1 (mos tradas en el paquete) antes de comenzar a utilizar la herramienta mecánica.

		<p>Do Not Carry the Saw by this handle. No lleve la sierra por este mango. Ne transportez pas la scie par sa poignée.</p>
<p>ZONAS DE PELIGRO DESIGNADAS</p>	<p>ÁREA DESIGNADA DE PUNTOS DE PELLIZCAMIENTO</p>	<p>ÁREA DESIGNADA COMO NO APTA PARA EL TRANSPORTE</p>
<p>Evite posicionar las manos, los dedos o los brazos en estas zonas</p>	<p>Una zona de peligro: Evite colocar las manos, los dedos o los brazos en estas áreas. No intente nunca mover ni levantar la sierra en estas áreas.</p>	<p>Una zona de peligro: No levante ni transporte nunca la sierra por el asa en la que está ubicado el interruptor principal.</p>

Requisitos eléctricos

Freno eléctrico

La sierra está equipada con un freno eléctrico automático que está diseñado para hacer que la hoja deje de girar en unos cinco (5) segundos después que usted suelte el interruptor gatillo. Es útil al hacer ciertos cortes en madera donde una hoja que aún gire por inercia podría producir un corte ancho e impreciso.

⚠ ADVERTENCIA Cuando se pierda la energía eléctrica debido a que se haya fundido un fusible o a otras causas, la velocidad del motor se reducirá gradualmente y la acción de frenado se iniciará únicamente al soltar el interruptor gatillo.

El freno eléctrico de la hoja de la sierra ha sido diseñado para proporcionar el más alto grado de confiabilidad, pero circunstancias inesperadas, tales como presencia de contaminación en el conmutador y en las escobillas o avería de los componentes del motor, pueden hacer que el freno no se active. Si se produce esta situación, encienda (posición "ON") y

apague (posición "OFF") la sierra cuatro o cinco veces sin entrar en contacto con la pieza de trabajo. Si la herramienta funciona pero el freno no detiene la hoja cada vez en unos 5 segundos, NO utilice la sierra y haga que se realice servicio de ajustes y reparaciones inmediatamente.

⚠ ADVERTENCIA La acción de frenado de esta sierra no está proyectada como dispositivo de seguridad. Recuerde dejar que la hoja de la sierra se detenga por completo antes de retirarla de la pieza de trabajo. Como siempre, el sistema de protectores constituye la mejor protección para usted contra el contacto no intencional con la hoja de sierra que gira. **NUNCA ponga cuñas para mantener abierto el protector inferior ni anule la acción de cierre de dicho protector.**

Licencias

Copyright (C) 2009 - 2016 ARM LIMITED

Todos los derechos reservados.

La redistribución y el uso en formas tanto de fuente como binarias, con o sin modificación, están permitidos siempre y cuando se cumplan las siguientes condiciones:





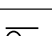
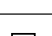
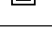
- Las redistribuciones del código fuente deben retener el aviso de derechos de propiedad intelectual que antecede, esta lista de condiciones y el siguiente descargo de responsabilidades.
- Las redistribuciones en forma binaria deben reproducir el aviso de derechos de propiedad intelectual que antecede, esta lista de condiciones y el siguiente descargo de responsabilidades en la documentación y/u otros materiales suministrados con la distribución.
- Ni el nombre de ARM ni los nombres de sus contribuyentes se podrán utilizar para avalar o promover productos derivados de este software sin permiso previo por escrito específico.

ESTE SOFTWARE ES PROPORCIONADO POR LOS TENEDORES DE LOS DERECHOS DE PROPIEDAD INTELECTUAL Y LOS CON-

TRIBUYENTES A LOS MISMOS "TAL COMO ESTÁ" Y SE DENIEGAN TODAS LAS GARANTÍAS EXPRESAS O IMPLÍCITAS, INCLUYENDO, PERO SIN LIMITARSE A LAS GARANTÍAS IMPLÍCITAS DE MERCANTIBILIDAD E IDONEIDAD PARA UN PROPÓSITO ESPECÍFICO. EL DUEÑO DE LOS DERECHOS DE PROPIEDAD INTELECTUAL O LOS CONTRIBUYENTES A LOS MISMOS NO SERÁN RESPONSABLES EN NINGÚN CASO POR DAÑOS DIRECTOS, INDIRECTOS, INCIDENTALES, ESPECIALES, EJEMPLARES O CONSECUENTES (INCLUYENDO PERO SIN LIMITARSE A LA OBTENCIÓN DE BIENES O SERVICIOS SUSTITUTOS; LA PÉRDIDA DE USO, DATOS O UTILIDADES; O LA INTERRUPTCIÓN DE LA ACTIVIDAD COMERCIAL), SEA CUAL SEA SU CAUSA Y SOBRE LA BASE DE CUALQUIER TEORÍA DE RESPONSABILIDAD, YA SEA EN CONTRATO, RESPONSABILIDAD ESTRICTA O AGRAVIO (INCLUYENDO NEGLIGENCIA O DE OTRO TIPO) QUE SURJA DE CUALQUIER MANERA DEL USO DE ESTE SOFTWARE, INCLUSO SI SE AVISA DE LA POSIBILIDAD DE DICHOS DAÑOS.

Símbolos

Importante: Es posible que algunos de los símbolos siguientes se usen en su herramienta. Por favor, estúdielos y aprenda su significado. La interpretación adecuada de estos símbolos le permitirá utilizar la herramienta mejor y con más seguridad.

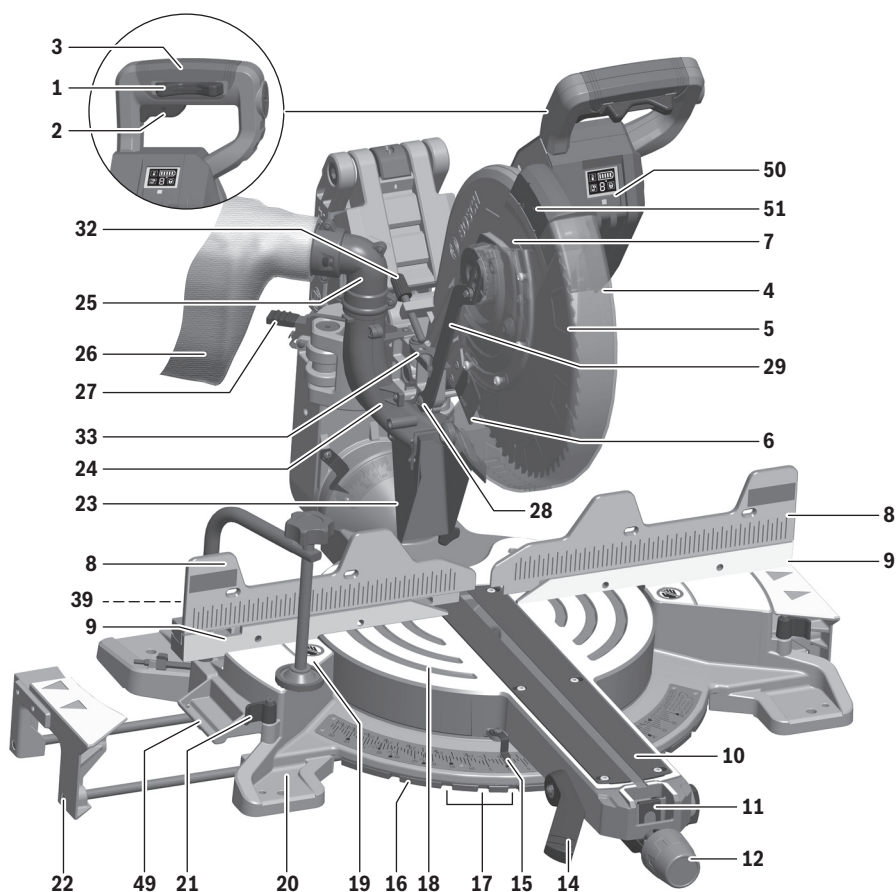
Símbolo	Désignación / Explicación
V	Volt (tensión)
A	Ampere (corriente)
Hz	Hertz (frecuencia, ciclos por segundo)
W	Watt (potencia)
kg	Kilogramo (peso)
min	Minuto (tiempo)
s	Segundo (tiempo)
∅	Diámetro (tamaño de las brocas taladradoras, muelas, etc)
n_0	Velocidad sin carga (velocidad rotacional sin carga)
n	Velocidad nominal (máxima velocidad obtenible)
.../min	Revoluciones o alternación por minuto (revoluciones, golpes, velocidad de superficie, órbitas, etc., por minuto)
0	Posición "off" (velocidad cero, par motor cero...)
1, 2, 3, ... I, II, III,	Graduaciones del selector (graduaciones de velocidad, par motor o posición. Un número más alto significa mayor velocidad)
	Selector infinitamente variable con apagado (la velocidad aumenta desde la graduación de 0)
	Flecha (Acción en la dirección de la flecha)
	Corriente alterna (tipo o una característica de corriente)
	Corriente continua (tipo o una característica de corriente)
	Corriente alterna o continua (tipo o una característica de corriente)
	Construcción de clase II (designa las herramientas de construcción con aislamiento doble)
	Terminal de toma de tierra (terminal de conexión a tierra)

Símbolos

Importante: Es posible que algunos de los símbolos siguientes se usen en su herramienta. Por favor, estúdielos y aprenda su significado. La interpretación adecuada de estos símbolos le permitirá utilizar la herramienta mejor y con más seguridad.

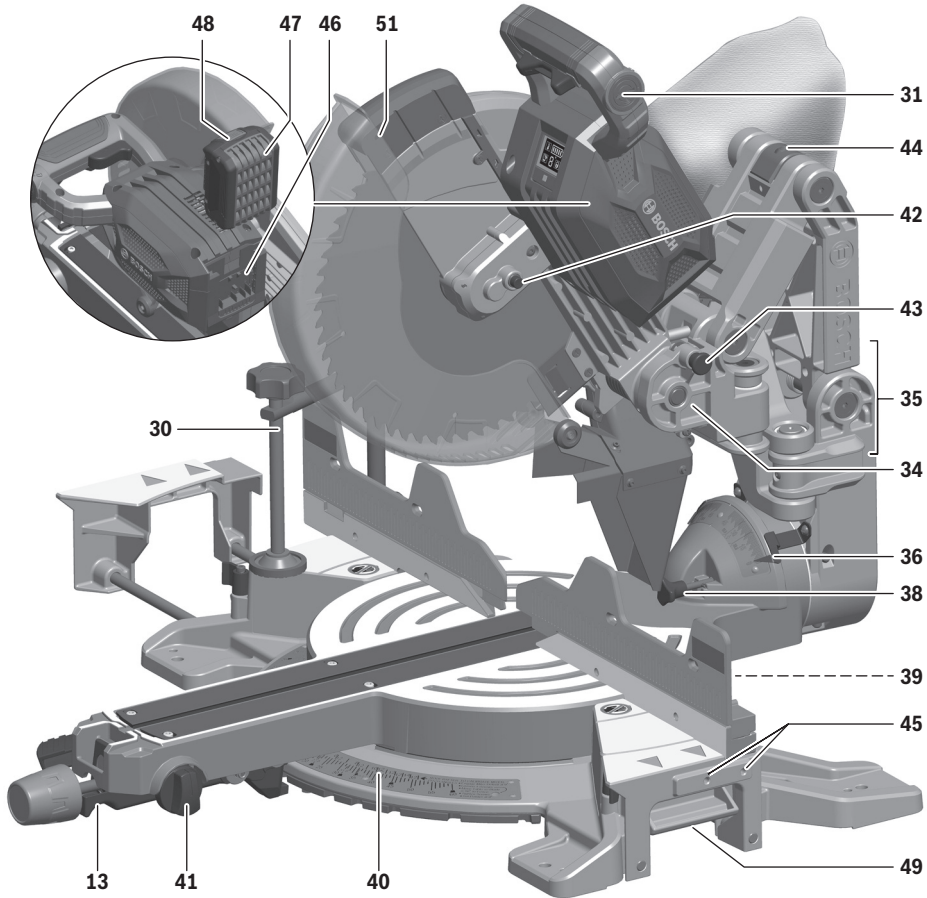
Símbolo	Désignación / Explicación
	Designa el programa de reciclaje de baterías de Li-ion.
	Designa el programa de reciclaje de baterías de Ni-Cd.
	Alerta al usuario para que lea el manual.
	Alerta al usuario para que use protección de los ojos.
	Este símbolo indica que esta herramienta está catalogada por Underwriters Laboratories.
	Este símbolo indica que este componente está reconocido por Underwriters Laboratories.
	Este símbolo indica que Underwriters Laboratories ha catalogado esta herramienta indicando que cumple con las normas estadounidenses y canadienses.
	Este símbolo indica que esta herramienta está catalogada por la Canadian Standards Association.
	Este símbolo indica que la Canadian Standards Association ha catalogado esta herramienta indicando que cumple con las normas estadounidenses y canadienses.
	Este símbolo indica que Intertek Testing Services ha catalogado esta herramienta indicando que cumple con las normas estadounidenses y canadienses.
	Este símbolo indica que esta herramienta cumple con la norma mexicana oficial (NOM).

Familiarización con la sierra para cortar ingletes



1. **Botones de liberación de la "Fijación en Off" (apagado)** – Uno de estos dos botones debe estar oprimido para activar el interruptor de encendido.
2. **Interruptor de encendido** – El interruptor de encendido utilizado con el botón de "Fijación en Off" enciende la unidad.
3. **Mango principal** – Este mango contiene el interruptor. La hoja se baja hacia la pieza de trabajo empujando este mango hacia abajo.
4. **Protector inferior de la hoja/reborde del protector inferior** – El protector inferior de la hoja ayuda a proteger las manos del operador contra la hoja que gira. Se retrae al bajar la hoja. El reborde se puede utilizar para subir el protector inferior en caso de que dicho protector se atore en una pieza de trabajo.
5. **Hoja** – Utilice únicamente hojas de 12 pulgadas (305 mm) de diámetro con agujeros para eje portaherramienta de 1 pulgada (25,4 mm) de diámetro.
6. **Deflector de virutas** – Desvía las piezas de trabajo cortadas para que no entren en el protector superior.
7. **Protector superior** – Cubre la porción superior de la hoja.
8. **Tope-guías deslizante** – Soporta la pieza de trabajo. El tope-guías tiene una escala fundida para hacer cortes repetitivos fácilmente. El tope-guías también tiene agujeros que se usan para fijar un tope-guías auxiliar si así se desea.
9. **Tope-guía estacionario** – El tope-guía estacionario está empinado a la base y soportará la pieza de trabajo cuando se retire el tope-guía deslizante.
10. **Accesorios de inserción para la separación**

Familiarización con la sierra para cortar ingletes



de corte – Los accesorios de inserción para la separación de corte se pueden ajustar a diferentes anchos de hoja para minimizar el desgarro de la pieza de trabajo.

11. **Sobrecontrol del retén de inglete** – Permite anular la acción del retén para facilitar los microajustes a cualquier ángulo de inglete.
12. **Pomo de fijación de inglete** – El pomo de fijación de inglete fija la mesa de la sierra para cortar ingletes en cualquier ángulo de inglete que se desee.
13. **Gatillo de retén del inglete** – Este gatillo suelta la mesa de la sujeción del retén.
14. **Palanca de fijación de bisel** – La palanca de fijación de bisel posicionada en la parte delantera bloquea el ensamblaje del cabezal en el ángulo de bisel deseado.
15. **Escala de ingletes/Indicador de inglete** – El
16. **Placa de retén de inglete** – La posición de la placa se puede ajustar para regular la precisión de sus ubicaciones de retén.
17. **Retenes de inglete** – Hay diez (10) retenes de inglete para cortes de inglete a ángulos de inglete comunes con rapidez y precisión.
18. **Mesa** – Está asentada sobre la base, proporciona soporte a la pieza de trabajo, gira para realizar los cortes de inglete deseados y gira el ensamblaje del cabezal. La parte delantera extendida de la mesa se llama brazo de inglete.
19. **Base** – Proporciona una superficie de trabajo para soportar la pieza de trabajo.
20. **Plataformas de montaje de la herramienta** –

Familiarización con la sierra para cortar ingletes

Las cuatro esquinas de la sierra proporcionan áreas para fijar con abrazaderas, atornillar o clavar la sierra a una superficie de trabajo plana.

21. **Palancas de fijación de las extensiones de la base** – Fijan las extensiones de la base en las posiciones deseadas.
22. **Extensiones deslizantes de la base** – Brindan soporte adicional para la pieza de trabajo. Útiles cuando se cortan piezas de trabajo largas.
23. **Deflector de goma** – Se acopla a la parte inferior de conducto para polvo. Desvía el polvo a dicho conducto.
24. **Conducto para polvo** – Dirige el aserrín hacia arriba, a través del codo y hasta la bolsa.
25. **Codo** – Conecta el conducto para polvo a la bolsa para polvo. Se puede rotar para dirigir el polvo.
26. **Bolsa para polvo** – Tiene una cremallera en la parte inferior. La bolsa se puede desacoplar del codo para vaciarla.
27. **Palanca de fijación del mecanismo** – Sujeta la sierra en la posición completamente hacia atrás para realizar cortes de troceado o completamente extendida para el transportarla.
28. **Pomo del eslabón** – Sujeta el eslabón del protector al poste de pivote.
29. **Eslabón del protector inferior** – Permite un movimiento suave del protector inferior.
30. **Abrazadera** – Utilícela para sujetar la pieza de trabajo a la mesa y la base; insértela en la ubicación del poste de abrazadera (artículo 39).
31. **Compartimiento del módulo de conectividad**: El módulo de conectividad Bosch se utiliza para conectar la herramienta a la aplicación Bosch Toolbox en un dispositivo móvil.
32. **Tornillo de tope de profundidad** – Gire el extremo del pomo para ajustar la profundidad de la hoja con el fin de cortar ranuras.
33. **Placa del tope de profundidad** – La placa se puede girar hacia fuera para limitar la profundidad del recorrido de la hoja.
34. **Poste de pivote** – Proporciona soporte para el cabezal de la sierra, el sistema de recolección de polvo y otras partes funcionales.
35. **Mecanismo de deslizamiento axial** – Permite que la sierra se deslice suavemente hacia dentro y hacia fuera. Se puede bloquear en las posiciones completamente hacia atrás o completamente extendida.
36. **Escala de bisel e indicadores** – La escala es grande y está angulada. Permite al usuario leer fácilmente los ángulos de bisel. El indicador señala cuál es el ángulo actual.
37. **Poste de bisel** – Brinda soporte de rotación para todas las piezas de la sierra para cortar ingletes por encima de la mesa.
38. **Pasador de retén de bisel (ajuste de moldura de corona)** – Cuando está acoplado, bloquea el ensamblaje del cabezal en el ángulo de bisel de 33.9° a la izquierda o a la derecha.
39. **Ubicaciones de poste de abrazadera** – Dos agujeros para postes verticales en la base; provistos para insertar la abrazadera (artículo 30).
40. **Tornillos de la placa de retén de inglete** – Cuatro tornillos accesibles a través de agujeros en la escala de ingletes. Estos tornillos se aflojan al ajustar la posición de la placa de retén.
41. **Pomo selector del intervalo de bisel** – Permite la selección de 3 intervalos de bisel: "0-45° a la izquierda", "0-45° a la derecha" o "Máximo ángulo de bisel de 47°".
42. **Cierre del eje portaherramienta** – Presione el botón del cierre del eje portaherramienta para evitar que la hoja rote al aflojar o apretar el perno del eje portaherramienta durante la remoción o instalación de la hoja.
43. **Pasador de fijación del ensamblaje del cabezal** – Se utiliza para bloquear el ensamblaje del cabezal en la posición más baja para el transporte.
44. **Controlador del movimiento de deslizamiento** – Se ajusta para regular el movimiento del mecanismo de deslizamiento.
45. **Agujeros de montaje para el tope de corona o el tope de longitud opcionales.**
46. **Bahía de la batería**: Se utiliza para insertar los paquetes de batería Bosch.
47. **Paquete de batería** (vendido por separado)
48. **Botón de liberación del paquete de batería**: Se utiliza para retirar el paquete de batería de la bahía de la batería.
49. **Mangos de transporte fundidos con la pieza** – Se utilizan para levantar y transportar la sierra.
50. **Interfaz del usuario**: Se utiliza para seleccionar los niveles de velocidad preestablecidos y para indicar el estado de la herramienta eléctrica y la batería.
51. **Tornillos de ajuste de la guía de las líneas láser**: Se utilizan para ajustar las guías de las líneas láser.

Especificaciones

Sierra para cortar ingletes inalámbrica GCM18V-12GDC

Tensión	18 V ^{Li-Ion}
Temperatura ambiente permitida	
– durante el proceso de carga	32...113 °F (0...+45 °C)
– durante la utilización	-4...122 °F (-20...+50 °C)
– durante el almacenamiento	32...122 °F (0...+50 °C)

Paquetes de batería/Cargadores de baterías:

Sírvase consultar la lista de baterías/cargadores incluidas con su herramienta.

Módulo de conectividad (vendido por separado)

Sírvase consultar las instrucciones de utilización y seguridad incluidas con el módulo de conectividad.

Uso previsto



ADVERTENCIA Utilice esta sierra ingletadora solo como está previsto. Es posible que un uso no autor-

izado cause lesiones corporales y daños materiales.

Capacidades de corte

Molduras clave / posicionamiento	Tamaño máximo
Moldura de base contra el tope-guía*	7-1/4 pulgadas (185 mm) desde 47° a la izquierda hasta 31,6° a la derecha 4 pulgadas (100 mm) desde 31,6° a la derecha hasta 60° a la derecha
Moldura de corona de 38° angulada contra el tope-guía*	5-1/2 pulgadas (140mm)
Moldura de corona de 45° angulada contra el tope-guía*	6 pulgadas (152mm)
Moldura de corona plana sobre la mesa	11-1/2 pulgadas (292mm)
* Dentro del intervalo de inglete de 0° a 47° a la izquierda	
Inglete / bisel	Altura x anchura máximas
0°/ 0°	3-1/2 x 13-1/2 pulgadas (89x343 mm)
0°/ 0° con espaciador de mesa de 3/4 de pulg. (19 mm)	2-7/8 x 15 pulgadas (73x381 mm)
45°/ 0°	3-1/2 x 9-1/2 pulgadas (89x241 mm)
0°/ 45° (izquierda)	2 x 13-1/2 pulgadas (50x343 mm)
0°/ 45° (derecha)	1-1/2 x 13-1/2 pulgadas (38x343 mm)
45°/ 45° (izquierda)	2 x 9-1/2 pulgadas (20x241 mm)
45°/ 45° (derecha)	1-1/2 x 9-1/2 pulgadas (38x241 mm)

Desempaquetado y comprobación del contenido

Desempaquetado de la sierra para cortar ingletes – Cuando saque esta herramienta de los materiales de empaquetamiento, meta las manos hasta las ubicaciones de los dos mangos de transporte laterales y levántela lentamente hasta que salga del paquete.

⚠ ADVERTENCIA Para evitar sufrir pellizcamientos graves, no levante ni mueva nunca esta sierra agarrando algún componente del sistema de soporte del mecanismo.



Este símbolo está colocado en diversos lugares de la herramienta para advertir al usuario de las áreas de puntos de pellizcamiento.

pinch-point area.

Comprobación del contenido del paquete

– Abra la parte de arriba del paquete y busque las piezas sueltas incluidas. Consulte el diagrama que aparece más abajo.

Algunas piezas pequeñas, tales como la palanca de fijación de bisel y el pomo de fijación de inglete, requieren instalación en la herramienta antes de que ésta esté lista para utilizarse. Consulte “Instalación de las piezas sueltas” en la página 146.

Piezas sueltas – Se muestra una de cada

Llave hexagonal de 6/4 mm



Abrazadera para la pieza de trabajo



Manual



Pomo de fijación de inglete



Llave hexagonal de 2,5mm



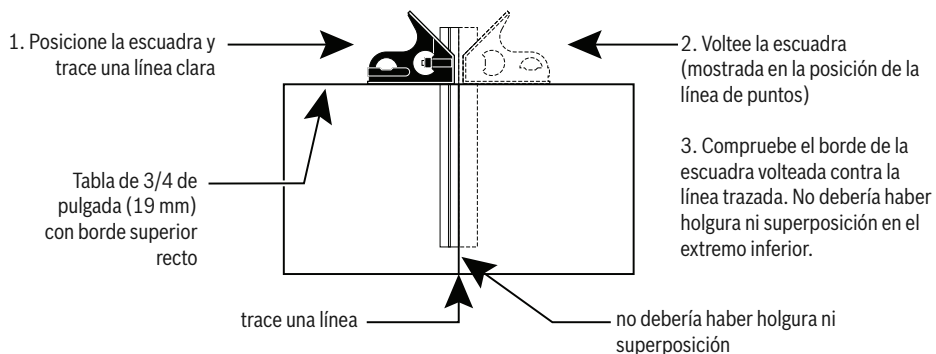
Ponga una marca para cada pieza

Herramientas necesarias para el ensamblaje y la alineación



NOTA: La llave hexagonal de 6/4 mm suministrada se puede sustituir con una llave hexagonal de 6 mm y una de 4 mm.

La escuadra de combinación debe estar alineada. Comprobación de la escuadra de combinación



Ensamblaje

⚠ ADVERTENCIA Para evitar posibles lesiones, desconecte el paquete de batería antes de realizar cualquier ensamblaje, ajuste o reparación.

Instalación de las piezas sueltas

Instalación del pomo de fijación de inglete – Localice el pomo de fijación de inglete **12** entre las piezas sueltas.

1. Mire debajo del brazo delantero de la mesa giratoria encima de la palanca de fijación y localice el agujero de 10 mm (vea la Fig. 1).
2. Inserte el eje largo del pomo de fijación de inglete a través de este agujero hasta que se detenga.
3. Gire el pomo en el sentido de las agujas del reloj (aproximadamente 10 revoluciones completas) hasta que esté apretado o “bloqueado”.
4. Afloje el pomo 1/2 vuelta para desbloquearlo. La mesa estará ahora libre para ser movida sobre la base.

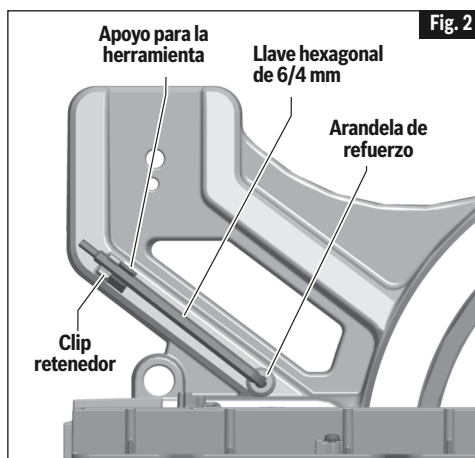
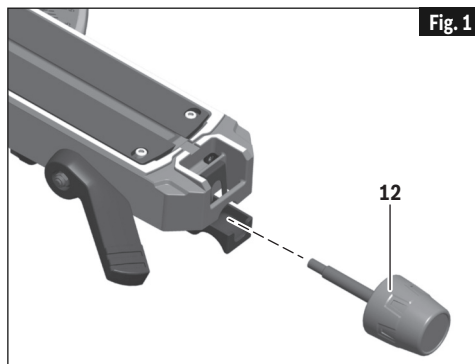
Utilización del pomo de fijación de inglete –

1. Afloje el pomo de fijación de inglete.
2. Mientras sostiene el pomo en la palma de la mano, baje el dedo índice o corazón y jale hacia arriba la palanca de retén. Mientras agarra el pomo, rote la mesa hacia la izquierda o hacia la derecha hasta el ángulo de inglete necesario y suelte la palanca.
3. Apriete el pomo una vez que esté en el ángulo correcto.

NOTA: Se recomienda apretar el pomo de fijación de inglete antes de todos los cortes. Se requiere apretar el pomo antes de cortar a cualquier ángulo entre los acoplamientos de retén o cuando se esté utilizando el sistema de sobrecontrol del retén de inglete.

Almacenamiento de la llave hexagonal de 6/4 mm – Hay un lugar de almacenamiento en la sierra para almacenar la llave hexagonal de 6/4 mm. Inserte la pata corta de la llave hexagonal a través de la arandela de refuerzo de goma de la manera que se muestra en la ilustración. Coloque la pata larga dentro del apoyo para la herramienta y presione hacia abajo al interior del clip retenedor (vea la Fig. 2).

NOTA: La llave hexagonal de 6/4 mm se necesita para cambiar la hoja y hacer ajustes a la herramienta. Si se pierde, se



puede sustituir con dos llaves hexagonales separadas: una llave hexagonal de 4 mm y una llave hexagonal de 6 mm.

Inserción y liberación del paquete de batería

Deslice el paquete de batería cargado **47** hacia el interior de la bahía de la batería **46** hasta que el paquete de batería quede fijo en la posición correcta (Fig. 3).

La herramienta está equipada con un pestillo de fijación secundario para impedir que el paquete de batería se caiga por completo de la bahía de la batería, en caso de que se afloje debido a la vibración.

Para retirar el paquete de batería, presione

Ensamblaje

el botón de liberación del paquete de batería **48** y deslice dicho paquete hasta sacarlo por completo de la bahía de la batería (Fig. 3).

Remoción e instalación de las hojas

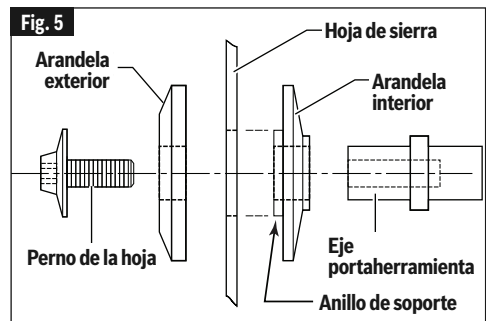
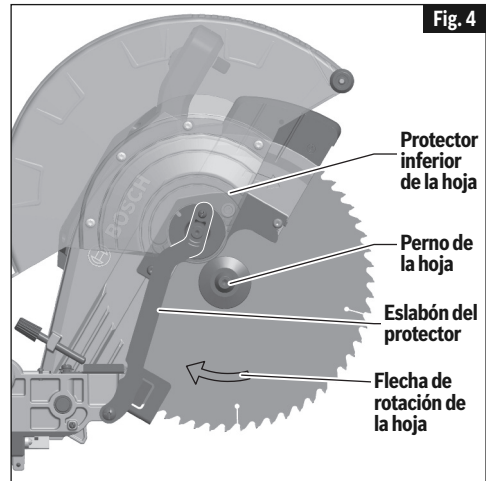
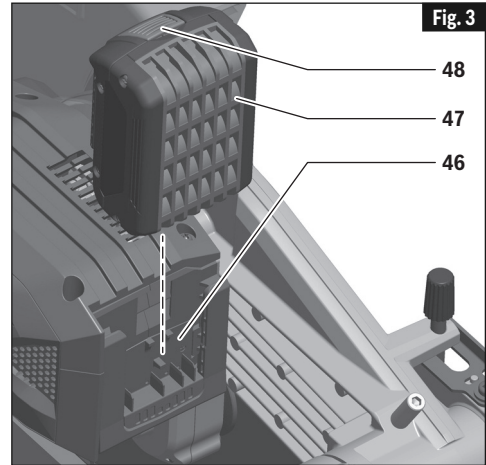
⚠ PRECAUCIÓN Use siempre **guantes** cuando **cambie o maneje las hojas**. Las puntas de las hojas pueden causar lesiones corporales.

REMOCIÓN DE LA HOJA

1. Ubique la sierra en la posición hacia ARRIBA y a un bisel de 0°. Si está en la posición hacia ABAJO, presione ligeramente hacia abajo sobre el ensamblaje del cabezal de la sierra y jale hacia fuera el pasador de fijación del ensamblaje del cabezal (artículo **43**, página 140); luego, deje que el cabezal de la sierra suba.
2. Rote el protector inferior de la hoja hasta que haya acceso despejado al perno de la hoja (Fig. 4).
3. Presione y mantenga presionado el cierre del eje portaherramienta (el botón rojo ubicado en el lado opuesto del protector superior, artículo **42**, página 140). Rote la hoja lentamente mientras presiona el cierre del eje portaherramienta hasta que se asiente completamente en su posición fija.
4. Utilizando la llave hexagonal de 6/4 mm, afloje el perno de la hoja girándolo firmemente en el sentido de las agujas del reloj. **NOTA:** Este perno tiene roscas a izquierdas.
5. Retire el perno de la hoja y la arandela exterior. Agarre cuidadosamente la hoja. Deslice la hoja alejándola de la arandela interior y separándola del eje portaherramienta y luego hacia abajo y alejándola de la sierra. Deje la arandela interior en el eje portaherramienta (vea la Fig. 5).

INSTALACIÓN DE UNA HOJA DE 12 PULGADAS (305MM)

⚠ ADVERTENCIA Para evitar lesiones, no utilice una hoja mayor o menor de 12 pulgadas (305mm) de diámetro y eje portaherramienta de 1 pulgada (25,4mm). El grosor máximo del plato de la hoja es 0.100 pulgadas (2,54mm).



Ensamblaje

⚠ ADVERTENCIA Para reducir el riesgo de lesiones, use una hoja de sierra con capacidad nominal de 3800/min (RPM) o mayor.

1. Siga todos los pasos de “Ensamblaje del protector móvil” y “Remoción de la hoja”.
2. Maneje cuidadosamente la hoja nueva. Asegúrese de que la flecha de rotación ubicada en la hoja coincida con la flecha de rotación ubicada en el protector inferior. Deslice la hoja hacia arriba, entre los lados del deflector de virutas y por el eje portaherramienta. Mueva la hoja de manera que su agujero para eje portaherramienta vaya alrededor del anillo de soporte de la arandela interior (vea las Fig. 4 y 5).
3. Coloque la arandela exterior sobre el eje portaherramienta y apriete con los dedos el perno de la hoja (en sentido contrario al de las agujas del reloj). Asegúrese de que la hoja haya permanecido en el anillo de soporte de la arandela interior.
4. Rote la hoja lentamente mientras presiona el cierre del eje portaherramienta hasta que se asiente completamente en su posición fija.
5. Utilizando la llave hexagonal de 6/4 mm, apriete firmemente el perno de la hoja en sentido contrario al de las agujas del reloj. NOTA: Este perno tiene roscas a izquierdas. No lo apriete excesivamente. Se puede utilizar una llave hexagonal de 6 mm como alternativa.
6. Retire el eslabón del protector inferior del tornillo trasero de la placa de cubierta. Rote el protector inferior y la placa de cubierta alrededor del tornillo delantero de la placa de cubierta hasta que la ranura de la placa de cubierta se deslice debajo de la cabeza del tornillo trasero de la placa de cubierta. Apriete completamente ambos tornillos de la placa de cubierta utilizando la llave hexagonal de 6/4 mm.
7. Coloque el eslabón del protector inferior de vuelta en la posición original y luego apriete firmemente con los dedos el pomo del eslabón en el poste de pivote. Es posible que sea necesario retraer el protector interior mientras se aprieta el pomo del eslabón.

8. Asegúrese de que el cierre del eje portaherramienta esté suelto para que la hoja gire libremente.
9. Coloque la llave hexagonal de 6/4 mm de vuelta en el área de almacenamiento.

⚠ ADVERTENCIA Apriete los tornillos de la placa de cubierta. Si los tornillos de la placa de cubierta están flojos, pueden interferir con el protector inferior de la hoja y engancharlo. No utilice nunca la sierra si tener la placa de cubierta instalada de manera segura en su sitio. El protector inferior no funcionará correctamente.

⚠ ADVERTENCIA Después de instalar una hoja nueva, asegúrese de que la hoja no interfiera con el inserto de la mesa en las posiciones de bisel a 0° y 45°. Baje la hoja al interior de la ranura para la hoja y compruebe si hay contacto con la base o la estructura de la mesa giratoria. Si la hoja contacta la base o la mesa, obtenga servicio autorizado.

Ensamblaje del sistema de recolección de polvo

El sistema de recolección de polvo utilizado en esta herramienta es único porque no se conecta al protector superior. Esta colocación brinda una recolección de polvo extraordinaria para la mayoría de cortes. Cuando ajuste o retire cualquier componente de recolección de polvo, asegúrese de que la sierra esté desenchufada.

INSTALACIÓN Y AJUSTE DE LA BOLSA PARA POLVO

Instalación y remoción de la bolsa para polvo: Para instalar la bolsa para polvo, comprima juntas las dos lengüetas rojas y deslice la bolsa para polvo hacia el interior del resalte del orificio para polvo (vea la Fig. 6).

Ajuste de la bolsa para polvo – Después de instalar la bolsa, se recomienda hacer un “corte en seco” antes de cortar con la sierra. Esto significa: Desenchufe la herramienta, preajústela para el corte previsto y practique el corte. Para algunos cortes en bisel, es posible que haya que mover o quitar el tope-guía deslizante para evitar resultar cortado o hacer contacto con la bolsa para polvo. También es posible que

Ensamblaje

la posición de la bolsa necesite un ajuste de rotación si contacta la pieza de trabajo durante un corte deslizando.

UTILIZACIÓN Y LIMPIEZA DE LA BOLSA PARA POLVO

Utilización de la bolsa para polvo – Acople la bolsa limpia al codo. Ajuste el codo y la bolsa para polvo, si es necesario, para que no interfieran con la herramienta durante la operación de corte prevista.

Limpieza de la bolsa para polvo – Después de que la bolsa para polvo esté llena de 2/3 a 3/4, retírela de la sierra. Lleve la bolsa a un recipiente apropiado y abra la cremallera ubicada en la parte inferior de la bolsa. Sujete la bolsa por el extremo del acoplador y sacúdala vigorosamente hasta que todo el polvo y todos los residuos hayan caído de ella. Cierre la cremallera y reinstale la bolsa. **NOTA:** Limpie la bolsa al final de la sesión de corte y antes de transportar o almacenar la sierra (vea la Fig. 6).

⚠ ADVERTENCIA Sea sumamente cuidadoso cuando elimine el polvo. Los materiales en forma de partículas finas pueden ser explosivos. No arroje aserrín a un fuego al descubierto. Con el tiempo se puede producir una combustión espontánea como resultado de la mezcla de aceite o agua con las partículas de polvo.

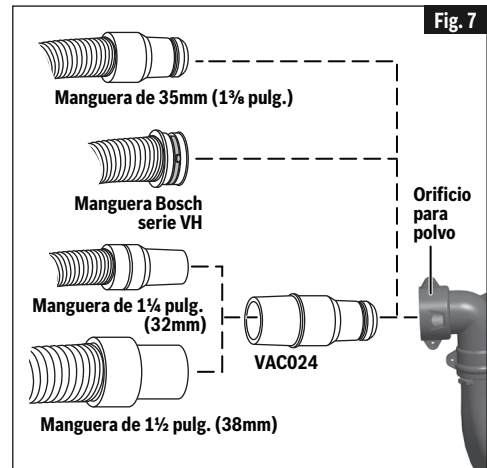
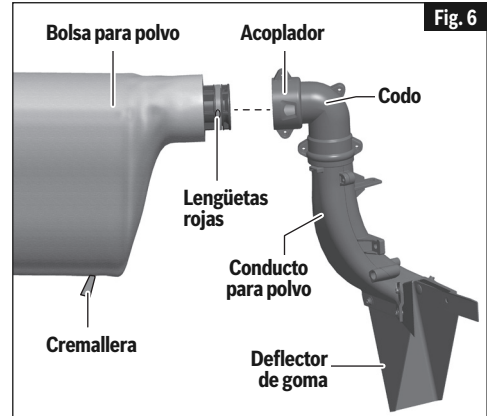
⚠ ADVERTENCIA Para evitar posibles lesiones, desconecte el enchufe de la fuente de alimentación antes de realizar cualquier ensamblaje, ajuste o reparación.

CONEXIÓN DE UNA ASPIRADORA / UN EXTRACTOR DE POLVO

El orificio para polvo de la sierra aceptará las boquillas típicas de las mangueras de aspiradora de 35 mm (1½ pulg.) y de las mangueras Bosch serie VH.

Para conectar la sierra con una manguera de 1¼ o 1½ pulgadas (32 o 38 mm), se puede utilizar el adaptador Bosch VAC024 (vendido por separado).

Nota: los tamaños que anteceden indican los diámetros de **manguera** y no los diámetros de **boquilla**.



Conexión a una aspiradora: Inserte directamente la boquilla de aspiradora en (o sobre) el orificio de salida tanto como se pueda (Fig. 6). Asegúrese de que la manguera de aspiración esté libre del mecanismo y alejada de la trayectoria de corte antes de enchufar la sierra en la fuente de alimentación.

Ajustes

⚠ ADVERTENCIA Para evitar posibles lesiones, desconecte el paquete de batería antes de realizar cualquier ensamblaje, ajuste o reparación.

Utilización del pasador de fijación del ensamblaje del cabezal

PASADOR DE FIJACIÓN DEL ENSAMBLAJE DEL CABEZAL

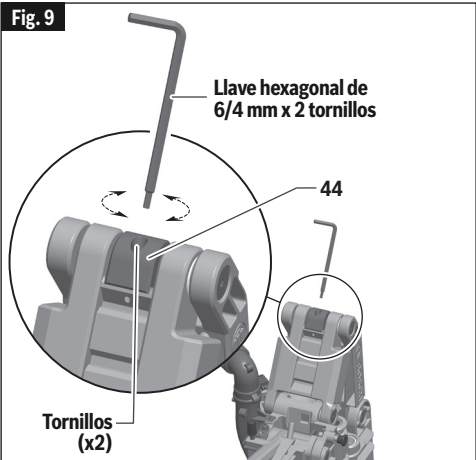
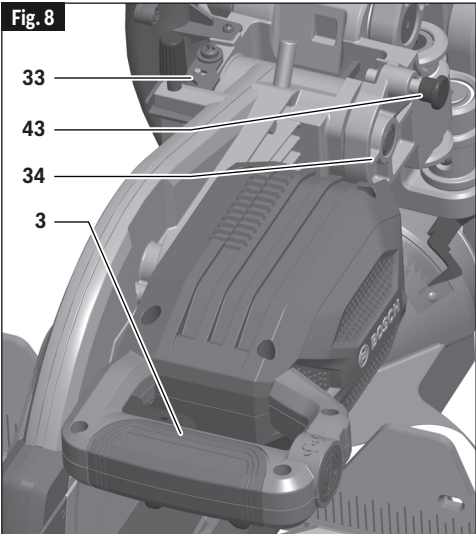
El pasador de fijación del ensamblaje del cabezal **43** está ubicado en el lado derecho del poste de pivote **34**. Se utiliza para sujetar el ensamblaje del cabezal de la sierra en la posición hacia ABAJO. Esta posición impide que el cabezal rebote hacia arriba y hacia abajo durante el transporte. Esto también hace la sierra más compacta para levantarla y almacenarla. Esta posición también se requiere para algunos procedimientos de calibración.

PARA ACOPLAR EL PASADOR DE FIJACIÓN DEL ENSAMBLAJE DEL CABEZAL

1. Asegúrese de que la placa del tope de profundidad **33** esté desacoplada o presionada en la posición derecho.
2. Agarre el mango principal de la sierra **3**, y presione hacia abajo sobre el ensamblaje del cabezal.
3. Mientras presiona hacia abajo el cabezal de la sierra, empuje hacia adentro el pasador de fijación del ensamblaje del cabezal. Suelte el ensamblaje del cabezal. El cabezal quedará fijo en la posición hacia ABAJO (vea la Fig. 8).

PARA DESACOPLAR EL PASADOR DE FIJACIÓN DEL ENSAMBLAJE DEL CABEZAL

1. Agarre el mango principal y presione hacia abajo sobre el ensamblaje del cabezal.
2. Mientras presiona el cabezal hacia abajo, jale hacia fuera el pasador de fijación del ensamblaje del cabezal. Suelte el pasador de fijación, pero siga agarrando el mango principal. Deje lentamente que el cabezal de la sierra accionado por resorte suba hasta la parte superior de su recorrido y entonces suelte el mango.



Utilización del controlador del movimiento deslizante

PARA AJUSTAR EL CONTROLADOR DEL MOVIMIENTO DESLIZANTE

El controlador del movimiento deslizante **44** está instalado en la junta superior del mecanismo deslizante; está diseñado para controlar la suavidad de la acción de deslizamiento de la sierra. Cuando se ensambla en la fábrica, el controlador no es

Ajustes

ajustado; por lo tanto, el movimiento es muy suave. Para ajustar la suavidad del mecanismo de deslizamiento, apriete o afloje ligeramente los dos tornillos ubicados en la parte de arriba utilizando la llave hexagonal de 6/4 mm o una llave hexagonal de 4 mm (vea la Fig. 9).

Utilización de la palanca de fijación del mecanismo

PALANCA DE FIJACIÓN DEL MECANISMO

La palanca de fijación **27** está ubicada en el lado trasero izquierdo del mecanismo.

Cuando la palanca está acoplada, fija el sistema (artículo **35**, página 140) en la posición completamente hacia delante o completamente hacia atrás e impide el movimiento mientras se transporta la sierra. Cuando se mantiene en la posición completamente hacia atrás, la sierra es más compacta para levantarla y almacenarla. La posición completamente hacia atrás se utiliza a menudo mientras se realizan cortes de troceado.

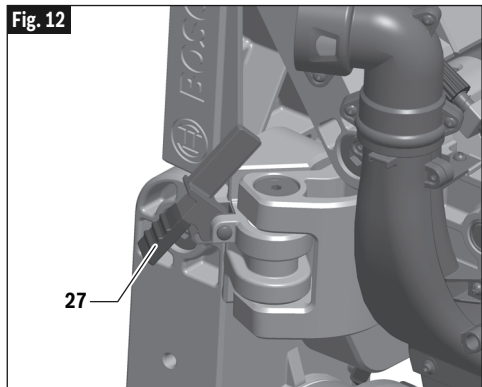
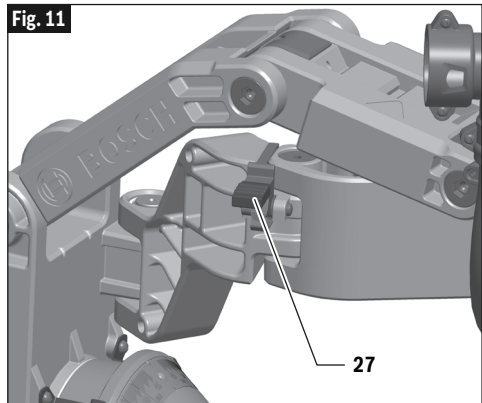
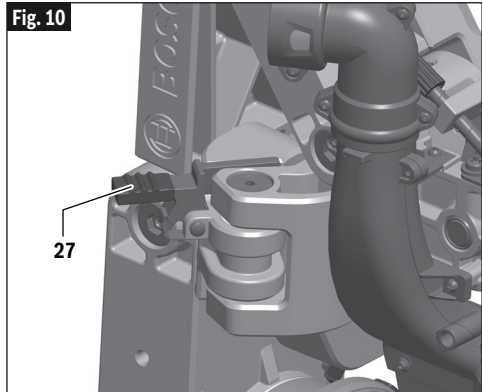
PARA ACOPLAR LA PALANCA DE FIJACIÓN

Con la sierra en la posición completamente hacia atrás – (Fig. 10)

1. Agarre el mango principal de la sierra (artículo **3**, página 140) y empuje (deslice) el ensamblaje del cabezal hacia atrás tanto como se pueda. Las carcasas superiores estarán en posición vertical y cerradas.
2. Levante la lengüeta ubicada en la placa de fijación para acoplar su cuña en el área de junta entre las dos carcasas inferiores. Suelte la lengüeta ubicada en la palanca de fijación y el mango principal. El ensamblaje del cabezal quedará fijo en la posición completamente hacia atrás.

Con la sierra en la posición completamente hacia delante – (Fig. 11)

1. Agarre el mango principal (artículo **3**, página 140) y jale (deslice) el ensamblaje del cabezal hacia usted tanto como se pueda. El mecanismo quedará completamente extendido.
2. Levante la lengüeta ubicada en la palanca de fijación para acoplar su cuña en el área de junta entre las dos carcasas



inferiores. Suelte la lengüeta ubicada en la palanca de fijación y el mango principal. El ensamblaje del cabezal quedará fijo en la posición completamente hacia delante.

Ajustes

Desde las posiciones trasera o delantera – (Fig. 12)

1. Agarre la lengüeta ubicada en la palanca de fijación y presione hacia abajo hasta que su cuña salga de entre las dos carcasas inferiores. Deje de agarrar la lengüeta; el mecanismo estará ahora libre para deslizarse hacia delante y hacia atrás.

Ajustes de la profundidad de corte

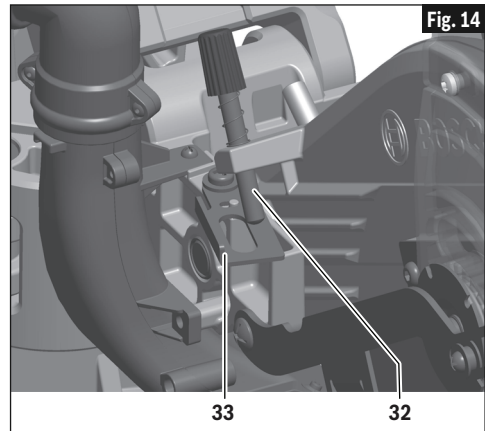
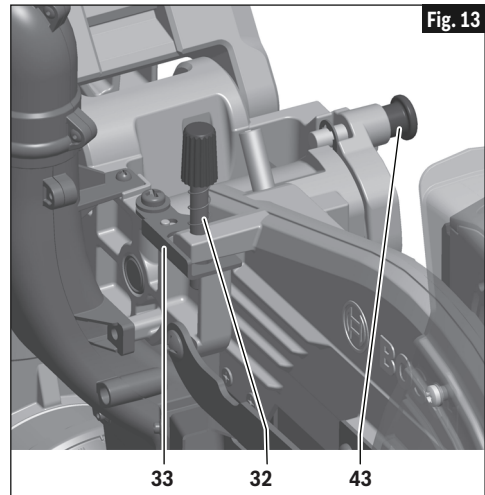
Cuando se instale una hoja nueva, es posible que sea necesario comprobar la holgura de la hoja respecto a estructura de la mesa giratoria. La placa del tope de profundidad es un dispositivo provisto para permitir realizar cortes de profundidad completa (normales) o cortes no pasantes utilizados para cortar ranuras.

AJUSTE DE LA PROFUNDIDAD DE LA HOJA PARA CORTES DE PROFUNDIDAD COMPLETA NORMALES

1. Cuando haga cortes de profundidad completa normales, empuje la placa del tope de profundidad **33** hacia dentro, hacia el cabezal de la sierra (vea la Fig. 13). Esto permitirá que el tornillo del tope de profundidad **32** pase a través del agujero de la placa.
2. Compruebe la profundidad de corte completa:
 - Ajuste la mesa a un inglete de 0° y empuje la sierra completamente hacia atrás.
 - Jale hacia fuera el pasador de fijación del ensamblaje del cabezal **43** hasta la posición de liberación.
 - Empuje hacia abajo el cabezal de la sierra y observe cómo el tornillo del tope de profundidad pasa a través de la placa del tope sin atorarse ni contactar la placa.

AJUSTE DE LA PROFUNDIDAD DE LA HOJA PARA CORTES NO PASANTES CON EL FIN DE CORTAR RANURAS

NOTA: Para obtener los mejores resultados, Bosch recomienda el uso de una sierra de mesa con un juego de hojas mortajadoras opcional para cortar ranuras y hacer cortes no pasantes. En el caso de que dicho juego no esté disponible, la función descrita a



continuación es una alternativa conveniente.

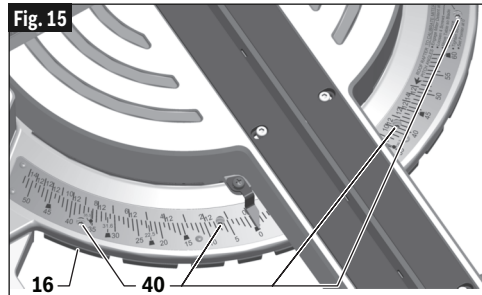
1. Suelte (jale hacia fuera) el pasador de fijación del ensamblaje del cabezal y deje que el cabezal de la sierra se mueva completamente hacia arriba. Deslice el cabezal de la sierra hasta la posición completamente hacia atrás.
2. Jale la placa del tope de profundidad hacia fuera alejándola del cabezal de la sierra (vea la Fig. 14).
3. Agarre el mango principal (artículo **3**, página 140) y empuje hacia abajo el cabezal de la sierra mientras observa cómo el tornillo del tope de profundidad hace contacto con la superficie superior de la placa del tope de profundidad. El

Ajustes

tornillo no pasará a través del agujero ubicado en la placa.

4. Gire el pomo ubicado en el extremo del tornillo del tope de profundidad (mientras el extremo roscado está en contacto con la placa de tope) y observe cómo la parte inferior de la hoja de sierra se mueve. Este ajuste gradúa la profundidad de corte.

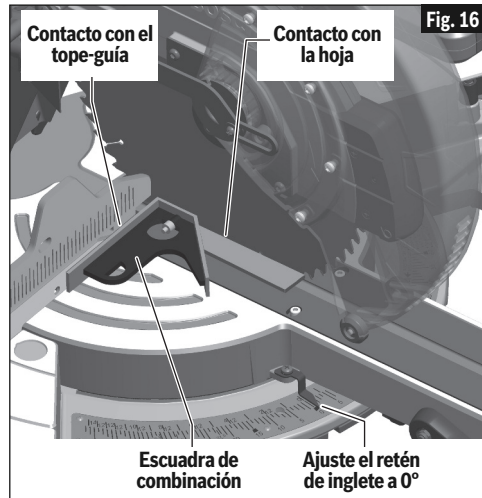
Consulte la página 182 para obtener instrucciones de "Corte de ranuras".



Sistema de retén de inglete – Procedimiento de ajuste

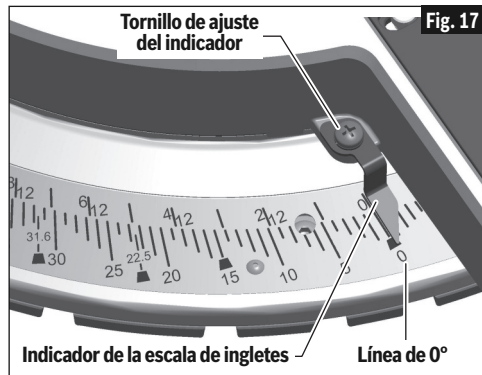
ÉTALONNAGE DE SISTEMA DE RETÉN DE INGLETE

1. Acople el retén de inglete en la posición de 0°. Afloje el pomo de fijación de inglete 1/2 vuelta.
2. Busque cuatro agujeros redondos en la placa de la escala de ingletes. En cada agujero hay un tornillo 40. Utilice el extremo pequeño de la llave hexagonal de 6/4 mm o una llave hexagonal de 4 mm para aflojar los cuatro tornillos de 1 a 2 vueltas. Esto aflojará la placa de retén de inglete 16 (vea la Fig. 15).
3. Fije la sierra hacia abajo utilizando el pasador de fijación del ensamblaje del cabezal (artículo 43, página 140).
4. Sujete un lado de una escuadra de combinación de 90° contra el tope-guía y rote la mesa (y la placa de retén) hasta que el lado de la hoja de sierra esté en contacto completo con el otro lado de la escuadra (Fig. 16).
5. Apriete los cuatro tornillos. Afloje y reajuste el indicador de la escala de ingletes en la posición "0".



AJUSTE DEL INDICADOR DE LA ESCALA DE INGLETES

1. Rote la mesa hasta la posición de 0° y bloquéela en su sitio.
2. Suba el ensamblaje del cabezal hasta la posición completamente hacia ARRIBA.
3. Afloje el tornillo de ajuste del indicador que sujeta en posición correcta el indicador de la escala de ingletes (vea la Fig. 217).
4. Posicione el indicador para alinearlos con la línea de 0°. Apriete el tornillo.



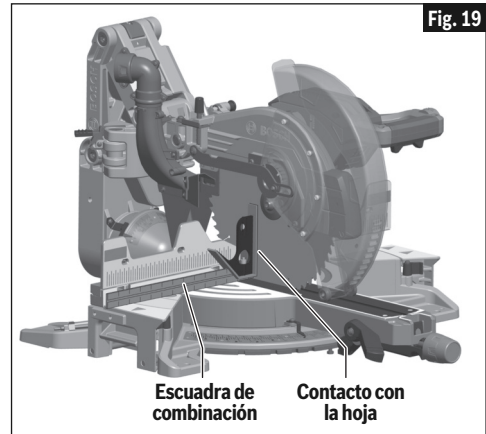
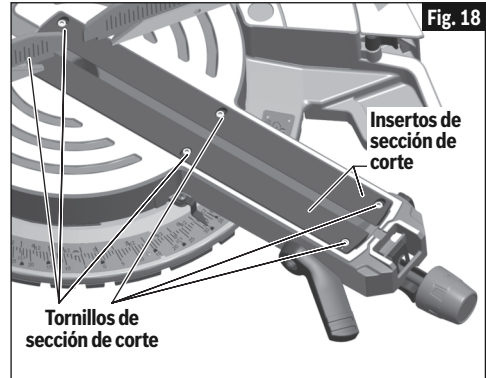
Ajustes

Ajuste del inserto de sección de corte

Los insertos de sección de corte se deben ajustar cerca de la hoja, pero sin tocarla, para evitar desgarrar la parte inferior de la pieza de trabajo.

1. Sujete hacia abajo el ensamblaje del cabezal de la sierra y empuje hacia dentro el pasador de fijación del ensamblaje del cabezal (artículo **43**, página 140) para mantener la sierra en la posición hacia ABAJO.
2. Afloje los seis tornillos de sección de corte utilizando la llave hexagonal de 6/4 mm suministrada (Fig. 18).
3. Ajuste los insertos de sección de corte tan cerca de (los dientes de) la hoja como sea posible sin tocar la hoja.
4. Apriete los tornillos de sección de corte.

NOTA: En el caso de ángulos de bisel extremos, es posible que la hoja de sierra corte ligeramente en el inserto de sección de corte.



Tope de bisel de 0° – Procedimiento de ajuste

COMPROBACIÓN DEL AJUSTE DEL TOPE DE BISEL DE 0°

1. Sujete hacia abajo el ensamblaje del cabezal de la sierra y empuje hacia dentro el pasador de fijación del ensamblaje del cabezal (artículo **43**, página 140) para mantener la sierra en la posición hacia ABAJO.
2. Deslice el ensamblaje del cabezal completamente hasta la parte de atrás y acople la palanca de fijación (artículo **27**, página 140) levantando la lengüeta de dedo.
3. Rote la mesa hasta la posición de inglete de 0°.
4. Jale hacia arriba la palanca de fijación de bisel para aflojar.
5. Compruebe la posición del pomo selector del intervalo de bisel; debería estar en la posición “0-45° a la izquierda”.
6. Inclíne el ensamblaje de la sierra hacia la izquierda (en sentido contrario al de las agujas del reloj) y luego gírelo hacia la derecha (en el sentido de las agujas del reloj) hasta que alcance el tope en la

posición vertical. En esta posición es donde la sierra está ajustada actualmente para hacer un corte a 0°.

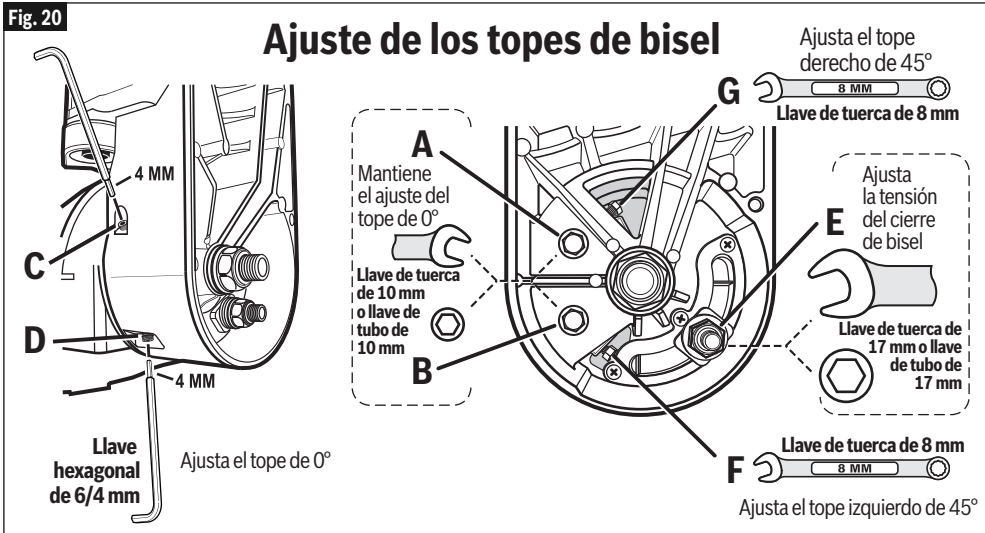
7. Empuje hacia abajo la palanca de fijación de bisel para bloquear la posición del ángulo.
8. Utilice una escuadra de combinación para comprobar que la hoja está a 90° (en ángulo recto) con la mesa. Coloque el borde de la regla de la escuadra contra la mesa y deslícelo para contactar la hoja con el lado vertical de la cabeza de la escuadra (vea la Fig. 19).
9. Asegúrese de que el plato de la hoja de sierra (no los dientes) esté tocando el lado de 90° de la escuadra. Si el plato de la hoja de sierra no está en contacto completo con el lado de 90° del cuerpo de la escuadra, siga los procedimientos indicados en “Ajuste del tope de bisel de 0°”.

Ajustes

AJUSTE DEL TOPE DE BISEL DE 0° (HOJA A 90° CON LA MESA)

1. Jale hacia arriba la palanca de fijación de bisel para aflojar.
2. Afloje las cabezas de los pernos "A" y "B" utilizando una llave de tuerca de boca abierta de 10 mm o un tubo (con una llave de tubo). Afloje los pernos por lo menos una vuelta completa (vea la Fig. 20).
3. Afloje el tornillo de ajuste "D" utilizando el extremo de 4 mm de la llave hexagonal de 6/4 mm (provista con la herramienta, pero también se puede utilizar una llave hexagonal de 4 mm estándar). Afloje el tornillo por lo menos tres vueltas completas.
4. Coloque la escuadra de combinación sobre la mesa y contra la hoja (vea la Fig. 19).
5. Utilizando el extremo de 4 mm de la llave hexagonal, gire el tornillo de ajuste "C" y observe cómo la hoja de sierra se inclina. Gire el tornillo "C" hasta que la hoja esté alineada (contacto completo) con el borde del cuerpo de la escuadra. Después de alinear la hoja, retire la llave hexagonal.
6. Apriete el tornillo de ajuste "D" utilizando una llave hexagonal de 4 mm.
7. Apriete las cabezas de los pernos "A" y "B" utilizando la llave de tuerca de boca abierta de 10 mm.
8. Ajuste los indicadores de la escala de bisel (artículo 36, página 140) para que estén en línea con las líneas de 0° de la escala de bisel.
9. Empuje hacia abajo la palanca de fijación de bisel para fijar el bisel.

Fig. 20

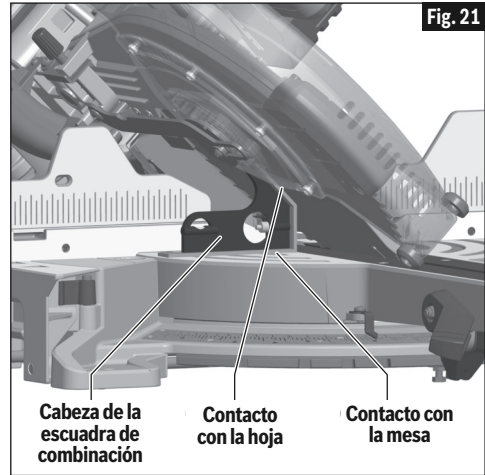


Ajustes

Tope de bisel de 45° – Procedimiento de ajuste

COMPROBACIÓN DEL AJUSTE DEL TOPE DE BISEL DE 45°

1. Sujete hacia abajo el ensamblaje del cabezal de la sierra y empuje hacia dentro del pasador de fijación del ensamblaje del cabezal (artículo **43**, página 140) para mantener la sierra en la posición hacia ABAJO.
2. Deslice el ensamblaje del cabezal completamente hacia atrás y acople la palanca de fijación (artículo **27**, página 140) levantando la lengüeta de dedo.
3. Rote la mesa hasta la posición de inglete de 0°.
4. Jale hacia arriba la palanca de fijación de bisel para desbloquear. Mueva el tope-guía deslizante completamente hacia la izquierda.
5. Compruebe la posición del pomo selector del intervalo de bisel; debería estar en la posición “0-45° a la izquierda”.
6. Incline el ensamblaje de la sierra hacia la izquierda (en sentido contrario al de las agujas del reloj) hasta que alcance el tope de 45°. En esta posición es donde el tope de 45° de la sierra está ajustado para hacer un corte en bisel de 45° a la izquierda.
7. Utilice una escuadra de combinación para comprobar si la hoja está a 45° respecto a la mesa. Retire la hoja de la regla de la escuadra de combinación. Coloque solamente la cabeza de la escuadra de combinación sobre en la mesa de la sierra con su lado plano largo descansando sobre la mesa y su lado de 45° contra la hoja inclinada (vea la Fig. 21).
8. Asegúrese de que solamente el plato (no los dientes) de la hoja de sierra esté tocando el lado de 45° de la escuadra. Si el plato de la hoja de sierra no está en contacto completo con el lado de 45° de la cabeza de la escuadra, siga los procedimientos indicados en “Ajuste del tope de bisel de 45°”.



AJUSTE DEL TOPE DE BISEL DE 45° (HOJA DE SIERRA A 45° CON LA MESA)

1. Jale hacia arriba la palanca de fijación de bisel para desbloquear. Mueva el tope-guía deslizante completamente hacia la izquierda.
2. Incline el ensamblaje de la sierra hacia la izquierda (en sentido contrario al de las agujas del reloj) hasta que alcance el tope de 45°.
3. Coloque solamente la cabeza de la escuadra de combinación sobre la mesa de la sierra con su lado plano largo descansando sobre la mesa y su lado de 45° contra la hoja inclinada.
4. Coloque una llave de tuerca de boca abierta de 8 mm en la cabeza del perno “F” (vea la Fig. 22).
5. Mientras gira el perno “F”, observe cómo la hoja se inclina. Gire el perno “F” hasta que el plato de la hoja de sierra esté en contacto completo con el lado de 45° de la cabeza de la escuadra (vea la Fig. 21).
6. Si es necesario, ajuste los indicadores de la escala de bisel (artículo 36, página 132) para que estén en línea con las líneas de 45° de la escala de bisel. Primero, ajuste el indicador de bisel derecho; luego, incline el cabezal de la sierra hasta la posición de tope de 45° a la derecha (vea la página 165, “Intervalo de bisel 2 = 0-45° a la derecha”) y ajuste el indicador de bisel izquierdo. Incline el

Ajustes

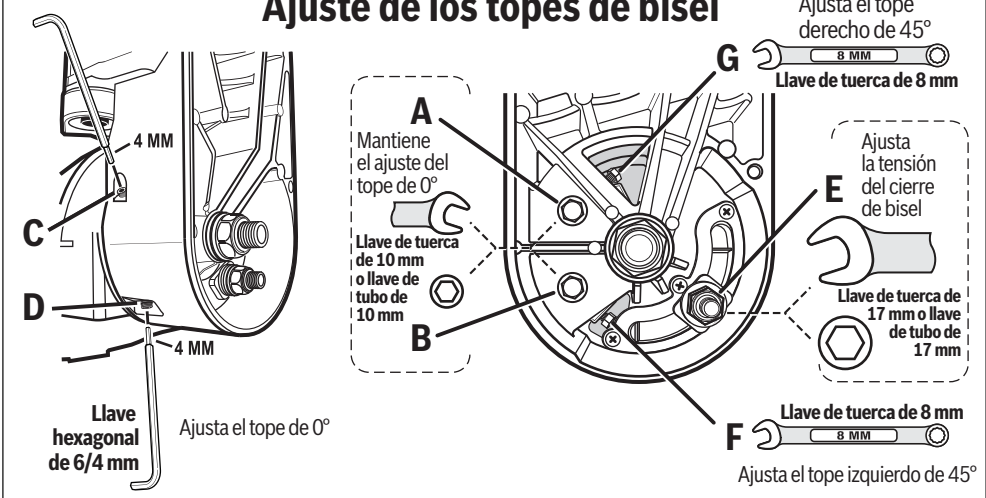
cabezal de la sierra hasta la posición de 0°. Ambos indicadores deberían estar en las líneas de 0° de la escala de bisel.

- Empuje hacia abajo la palanca de fijación

de bisel para realizar la fijación en el ángulo de bisel deseado.

Fig. 22

Ajuste de los topes de bisel



Ajustes

Ajuste de la tensión del cierre de bisel

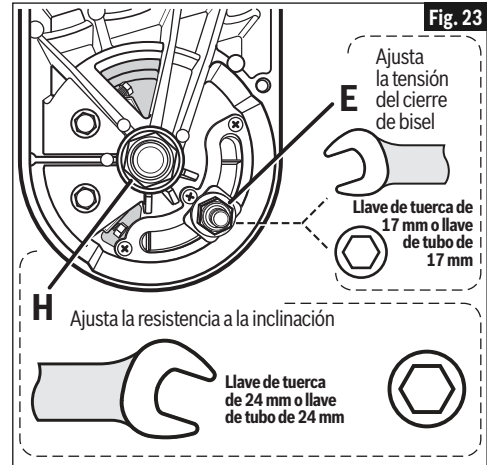
COMPROBACIÓN DE LA TENSIÓN DEL CIERRE DE BISSEL

1. Jale hacia arriba la palanca de fijación de bisel para reducir la tensión. Si al jalar hacia arriba la palanca se siente demasiado dura, es posible que se requiera un ajuste.
2. Compruebe la resistencia a la inclinación. Agarre el mango principal e incline lentamente la sierra hacia la izquierda. Mientras la inclina, se debería sentir un poco de resistencia. Aproximadamente a 30°, la resistencia debería volverse menor. Si se siente muy poca resistencia o no se siente nada de resistencia, es posible que se requiera un ajuste.
3. Compruebe la tensión del cierre de bisel. Empuje hacia abajo la palanca de fijación de bisel. Normalmente se necesita más presión al comienzo; luego, la palanca debería ir completamente hasta abajo, hasta la posición de fijación con un golpe seco.
 - A) Si es demasiado difícil empujar la palanca completamente hacia abajo, entonces es posible que requiera un ajuste de tensión.
 - B) Compruebe el poder de fijación. Incline la sierra aproximadamente hasta 30° y empuje hacia abajo la palanca de fijación de bisel. Presione firmemente sobre el lado derecho del cabezal de la sierra. Si el cabezal de la sierra se inclina más de 1/2° respecto a la posición fija, entonces la tensión del cierre de bisel necesita ajuste.

AJUSTE DE LA TENSIÓN DEL CIERRE DE BISSEL

La tensión del cierre de bisel ha sido ajustada en la fábrica. Después de un uso extenso de la herramienta, es posible que requiera un ajuste. Antes de ajustar la tensión, se debe ajustar la resistencia a la inclinación.

1. Jale hacia arriba la palanca de fijación de bisel para reducir la tensión.
2. **Ajuste de la resistencia a la tensión** (vea el paso 2 más arriba).



- A) Si la resistencia es demasiado baja, apriete ligeramente (1/16 de vuelta) la tuerca de fijación grande "H" utilizando una llave de tubo o una llave de tuerca de 24 mm.
 - B) Si la resistencia es demasiado alta, afloje ligeramente (1/16 de vuelta) la tuerca de fijación grande "H" utilizando una llave de tubo o una llave de tuerca de 24 mm.
3. **Ajuste de la tensión** (vea los pasos 1 y 3 más arriba) Jale hacia arriba y empuje hacia abajo la palanca de fijación de bisel.
 - A) Si es demasiado difícil jalar o empujar la palanca, la tensión se puede reducir utilizando una llave de tubo o una llave de tuerca de 17 mm para aflojar la tuerca de fijación "E" (1/8 de vuelta). Compruebe de nuevo la tensión.
 - B) Si es demasiado fácil jalar o empujar la palanca, o si el cabezal de la sierra no queda completamente fijo en un ajuste de bisel, entonces la tensión se puede aumentar utilizando una llave de tubo o una llave de tuerca de 17 mm para apretar la tuerca de fijación "E" (1/8 de vuelta). Compruebe de nuevo la tensión.

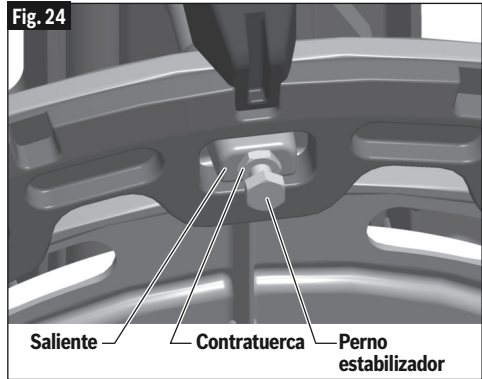
Ajustes

Ajuste del perno estabilizador delantero

El perno estabilizador delantero está ubicado en la parte inferior de la base de la sierra, cerca de la ranura de retén de inglete de 0° (Fig. 24). Dicho perno proporciona soporte adicional cuando se realizan cortes deslizantes.

El perno estabilizador ha sido ajustado en la fábrica. Si está flojo o necesita ajuste, siga estos pasos:

1. Mueva la sierra para tener acceso fácil al área del perno. Afloje el perno estabilizador y la contratuerca utilizando una llave de tuerca de 10 mm.
2. Coloque la sierra de vuelta en la mesa de trabajo. Desenrosque la tuerca estabilizadora hasta que contacte la mesa.
3. Mueva de nuevo la sierra para tener acceso al área del perno. Mientras sujeta la cabeza del perno con una llave de tuerca de 10 mm o unos alicates, utilice una llave de tuerca de boca abierta de 10 mm para apretar completamente la contratuerca contra el saliente ubicado en la base de la sierra.



Transporte y montaje

⚠ ADVERTENCIA Para evitar posibles lesiones, desconecte el paquete de batería antes de realizar cualquier ensamblaje, ajuste o reparación.

⚠ ADVERTENCIA Para evitar lesiones, siga todas las instrucciones identificadas a continuación con el símbolo de PUNTO NEGRO (•).

- **No levante nunca esta sierra agarrando las extensiones de la base cuando estén en la posición extendida.**
- **Desenchufe el cable eléctrico y enróllelo.** Utilice la correa de enganche y cierre para mantener unido el cable enrollado.
- **No levante nunca la sierra agarrando cualquiera de las piezas del mecanismo.** La sierra se podría mover y causarle a usted lesiones graves en los dedos o las manos.
- **Para evitar lesiones en la espalda, sujete la herramienta cerca del cuerpo cuando la levante.** Doble las rodillas para que pueda levantar con las piernas, no con la espalda. Levantar la sierra desde la parte de atrás es el método preferido. Esto inclinará la herramienta hacia el cuerpo del operador.
- **No levante nunca la herramienta agarrando el mango con interruptor.** Esto podría causar daños graves.
- **No levante nunca la sierra para cortar ingletes por el cable de alimentación o el mango operativo. Si se intenta levantar o transportar la herramienta por el cable de alimentación se dañarán el aislamiento y las conexiones de los cables, lo cual causará descargas eléctricas o un incendio.**
- **Coloque la sierra sobre una superficie firme y nivelada, en la que haya amplio espacio para manejar y soportar apropiadamente la pieza de trabajo.**

Levante esta sierra **SOLAMENTE** por los mangos de transporte fundidos con la pieza ubicados a cada lado de la parte inferior de la base (vea la Fig. 25).

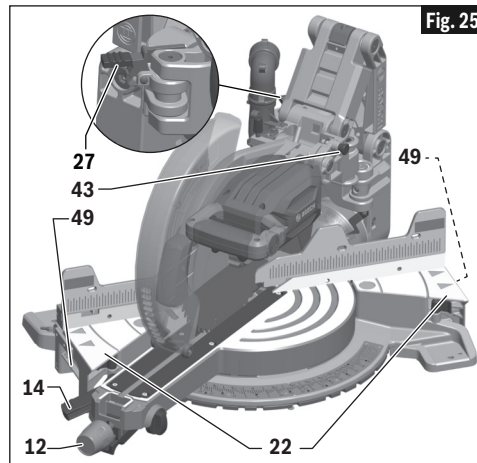


Fig. 25

ELEVACIÓN DE LA SIERRA DESDE LA PARTE DE ATRÁS

1. Ajuste el ángulo de bisel a 0° y fíjelo en esa posición utilizando la palanca de fijación de bisel **14**.
2. Rote la mesa hasta la posición izquierda extrema y fíjela en esa posición utilizando el pomo de fijación de inglete **12**.
3. Empuje hacia atrás el cabezal de la sierra y fíjelo en la posición hacia ABAJO utilizando el pasador de fijación del ensamblaje del cabezal **43**.
4. Acople la palanca de fijación del mecanismo **27** para quede fija en la posición retraída.
5. Asegúrese de que cada extensión de la mesa de la base **22** esté en la posición cerrada y fija en su sitio.
6. Use las dos manos y bájelas para agarrar el mango de transporte fundido con la pieza **49**. Siempre que sea posible, levante desde la parte de atrás de la sierra.

Transporte y montaje

Aplicaciones de montaje

⚠ ADVERTENCIA Asegúrese de que la sierra para cortar ingletes esté montada o colocada en una superficie de trabajo nivelada y firme antes de utilizarla. Una superficie de trabajo nivelada y firme reduce el riesgo de que la sierra para cortar ingletes se vuelva inestable.

INSTALACIÓN PERMANENTE EN UN BANCO DE TRABAJO

1. Cada uno de los cuatro agujeros de montaje debe atornillarse firmemente usando tornillos de 5/16" (M8), arandelas de seguridad y tuercas hexagonales (no se incluyen) (Fig. 26).
2. Localice y marque donde se va a montar la sierra.
3. Haga cuatro (4) agujeros de 5/16" (8mm) de diámetro a través del banco de trabajo.
4. Coloque la sierra para cortar ingletes sobre el banco de trabajo alineando los agujeros de la base con los agujeros hechos en el banco de trabajo. Instale los tornillos, las arandelas de seguridad y las tuercas hexagonales.

INSTALACIÓN ALTERNATIVA

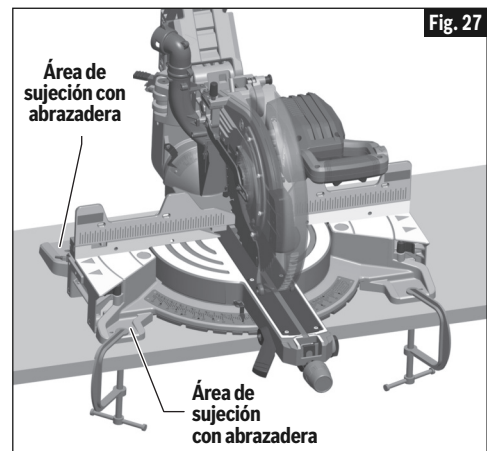
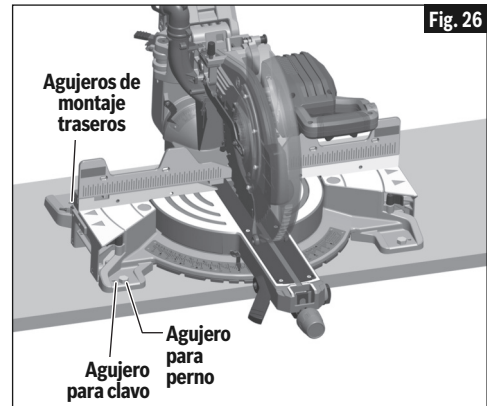
Los agujeros de montaje más pequeños ubicados en cada esquina se pueden utilizar para clavos o tornillos más largos para panel de yeso.

La superficie de soporte donde se va a montar la sierra se debe examinar cuidadosamente después de montarla para asegurarse de que no se pueda producir ningún movimiento durante la utilización. Si se observa alguna inclinación o desplazamiento, fije el banco de trabajo o la base para la herramienta antes de utilizar la sierra para cortar ingletes compuestos.

⚠ PRECAUCIÓN Tenga cuidado de no clavar excesivamente los clavos ni apretar excesivamente el perno. Esto podría agrietar el pie o dañar la base.

MONTAJE TEMPORAL UTILIZANDO ABRAZADERAS

- Si es necesario, fije con abrazaderas la sierra para cortar ingletes a un banco de trabajo o a un tablero de mesa.



- Coloque dos (2) o más abrazaderas en "C" en las áreas de fijación con abrazaderas y fijelas (Fig. 27). Hay áreas de sujeción con abrazadera en las cuatro esquinas de la sierra.
- Tenga cuidado de no poner las abrazaderas sobre las palancas de sujeción de las extensiones de la base (Fig. 27).
- El montaje con abrazaderas impedirá trabajar con algunos ángulos grandes de inclinación.

Preparación para las operaciones de la sierra

⚠ ADVERTENCIA Para evitar posibles lesiones, desconecte el paquete de batería antes de realizar cualquier ensamblaje, ajuste o reparación.

Activación del interruptor

Por seguridad, la palanca del interruptor **2** está diseñada para evitar arranques accidentales. Para activar el interruptor de seguridad oprima el botón “Fijación en OFF (apagado)” **1** con alguno de sus pulgares para desacoplar el cierre, a continuación tire del gatillo del interruptor de encendido y suelte el botón de liberación de “Fijación en OFF (apagado)” (vea la Fig. 28). Al soltar el gatillo del interruptor de encendido, el botón de “Fijación en OFF” del interruptor acoplará en forma automática el interruptor de seguridad, y el gatillo ya no funcionará sino hasta que se oprima de nuevo el botón de “Fijación en OFF”.

NOTA: El agujero para candado **2a** puede acomodar un candado con una barra larga de hasta 5/16 de pulgada (8 mm) de diámetro (el candado no se suministra con la sierra ingletadora) para impedir el uso no autorizado.

Luz LED incorporada

La herramienta está equipada con una potente luz LED para ofrecer mejor visibilidad al cortar. La luz tiene la capacidad de encenderse al presionar el gatillo solo de manera parcial (Fig. 28). La luz permanecerá encendida durante 30 segundos después de haber soltado el gatillo. Esto permite que el corte sea más visible antes de que la hoja de sierra comience a girar.

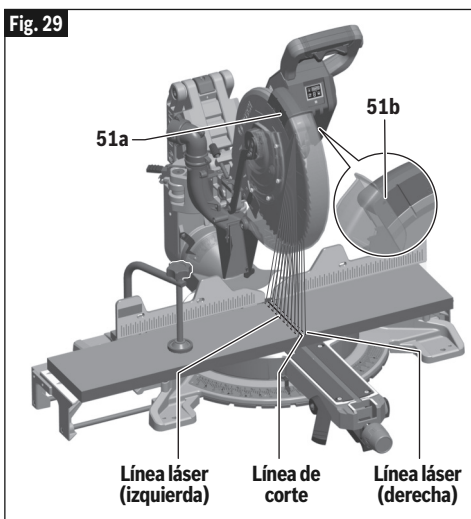
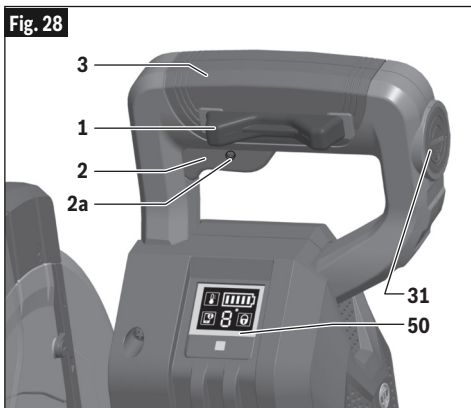
Guía de línea láser

⚠ PRECAUCIÓN Radiación láser. No exponga a esta radiación a los usuarios de ópticas telescópicas. Producto láser de Clase 1M.

La herramienta está equipada con una guía de línea láser que se encenderá al presionar parcialmente el gatillo.

AJUSTE DE LA LÍNEA LÁSER

- Asegúrese de que la mesa esté ajustada en la posición de inglete de 0° y que esté bloqueada en esa posición. Deslice el ensamblaje del cabezal completamente hasta la parte trasera. Trace una línea de corte recta sobre la pieza de trabajo. Baje lentamente el ensamblaje del



cabezal utilizando el mango principal.

- Posicione la pieza de trabajo de manera que los dientes de la hoja de sierra se alineen con la línea de corte. Sostenga la pieza de trabajo en esta posición y guíe lentamente el ensamblaje del cabezal de vuelta hacia arriba. Sujete con abrazaderas la pieza de trabajo.
- Encienda el rayo láser presionando el gatillo sin presionar el botón de fijación en apagado (Fig. 28). El rayo láser debe estar alineado con la línea de corte en la pieza de trabajo a lo largo de toda su longitud (Fig. 29).

Preparación para las operaciones de la sierra

Si se requiere algún ajuste, gire los tornillos de ajuste izquierdo **51a** y derecho **51b** con una llave Allen hexagonal de 2,5 mm hasta que los rayos láser estén alineados con la línea de corte en la pieza de trabajo.

Una vuelta completa del tornillo de ajuste en sentido contrario al de las agujas del reloj mueve el rayo láser de izquierda a derecha; una vuelta completa del tornillo de ajuste en el sentido de las agujas del reloj mueve el rayo láser de derecha a izquierda.

Interfaz del usuario (Fig. 30)

La interfaz del usuario **50** se utiliza para seleccionar los niveles de velocidad preestablecidos y para indicar el estado de la herramienta eléctrica y la batería.

MODO ECO

Cuando no se necesite la potencia completa, el modo Eco de ahorro de energía de la sierra se puede utilizar para reducir la potencia de salida de la sierra con el fin de prolongar el tiempo de funcionamiento.

Si el modo ECO está activo, el indicador de nivel/modo de velocidad **50d** mostrará el símbolo "E" y el ícono "ECO" **50b** se iluminará.

PREAJUSTES DE VELOCIDAD

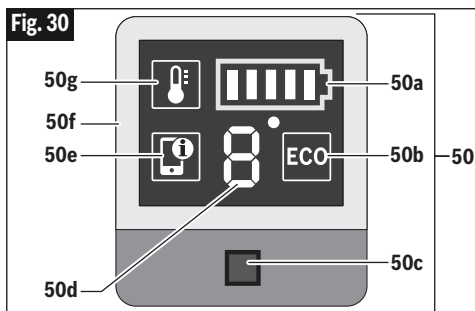
Los ajustes de velocidad y el modo ECO están preprogramados y se pueden ajustar a través de la aplicación "Bosch Toolbox". Para obtener más información sobre la aplicación "Bosch Toolbox", consulte el capítulo "Conectividad" que se encuentra en la página siguiente. La tabla que aparece a continuación describe las velocidades preestablecidas y la velocidad del modo ECO.

	Velocidades preestablecidas
Eco	2550 /min
1	3000 /min
2	3500 /min
3	4000 /min

INDICADOR DE CARGA DE LA BATERÍA

Cuando el indicador de carga de la batería **50a** se encienda en **verde**, la batería estará cargada y el número de barras mostrará el nivel de carga.

Si se enciende en **amarillo** y con solo una barra, indica que es necesario reemplazar o cargar pronto la batería.



Si se enciende en **rojo** y con solo una barra, significa que la carga de la batería se ha agotado.

INDICADOR DE TEMPERATURA

Si el indicador de temperatura **50g** se enciende en **amarillo**, se habrá alcanzado la temperatura crítica del motor, los componentes electrónicos o la batería. Tenga la herramienta en funcionamiento sin carga y deje que se enfríe.

Si el indicador de temperatura se enciende en **rojo**, la herramienta eléctrica está sobrecalentada y se apagará. Deje que la herramienta eléctrica se enfríe.

INDICADOR DE ESTADO DEL TELEFONO INTELIGENTE

Es necesario comprar e instalar un módulo de conectividad Bosch e instalar la aplicación "Bosch Toolbox" para recibir información y mensajes cuando haya alertas del indicador de estado del teléfono inteligente. Consulte el capítulo Conectividad que se encuentra en la página siguiente.

El indicador de estado del teléfono inteligente **50e verde** significa que hay información no crítica disponible en la aplicación "Bosch Toolbox" para que el usuario la lea.

El indicador de estado del teléfono inteligente **50e amarillo** significa que hay información importante disponible (p. ej., advertencia de temperatura).

El indicador de estado del teléfono inteligente **50e rojo** significa que hay información crítica disponible. Se recomienda que el usuario revise inmediatamente el mensaje.

MARCO DE ESTADO DE LA HERRAMIENTA ELECTRICA

La **luz verde** del marco de estado de la herramienta eléctrica **50f** significa que todo

Preparación para las operaciones de la sierra

está funcionando correctamente.

La **luz amarilla** significa que:

- Se ha alcanzado la temperatura crítica (el indicador de temperatura **50g** también se enciende en amarillo). Tenga la herramienta en funcionamiento sin carga y deje que se enfríe o
- La batería está casi agotada (el indicador de carga de la batería **50a** también se enciende en amarillo). Cargue o reemplace pronto la batería.

Una **luz roja** significa que:

- La herramienta se ha sobrecalentado (el indicador de temperatura **50a** está se enciende en rojo). Apague la herramienta y enciéndala de nuevo, o
- La batería está agotada (el indicador de carga de la batería **50a** también se enciende en rojo). Cargue o reemplace la batería.

Una **luz azul parpadeante** significa que la herramienta eléctrica está conectada a un dispositivo móvil o que se están transfiriendo los ajustes. El usuario debe presionar el botón de la interfaz del usuario 50c para aceptar y almacenar uno o varios ajustes nuevos.

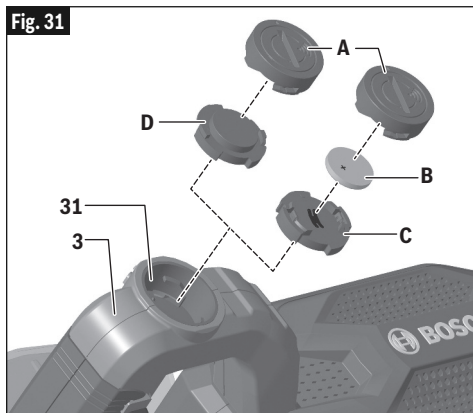
Conectividad

⚠ ADVERTENCIA Para reducir el riesgo de lesiones, lea las instrucciones de utilización incluidas con el módulo de conectividad Bosch. Las instrucciones de utilización del módulo de conectividad incluyen información importante que no se cubre en este manual.

Esta herramienta eléctrica es compatible con Bluetooth y varias funciones selectas se pueden ajustar remotamente utilizando un dispositivo móvil. La instalación de estas funciones requiere la instalación de un módulo de conectividad Bosch Bluetooth y un dispositivo móvil con la aplicación Bosch Toolbox instalada.

Si el módulo de conectividad no se compra con la herramienta, o si se hace necesario reemplazar el módulo o la batería, por favor, siga este procedimiento (vea la Fig. 31):

- Inclíne el ensamblaje del cabezal hacia la izquierda para simplificar el proceso.
- Utilizando un destornillador plano o una moneda, retire la cubierta **A** del compartimiento del módulo de conectividad **31** que se encuentra en un lado del mango **3**, girándola 1/4 de vuelta en sentido contrario al de las agujas del reloj.



El módulo de conectividad **31** que se encuentra en un lado del mango **3**, girándola 1/4 de vuelta en sentido contrario al de las agujas del reloj.

- Si la herramienta ya está equipada con el módulo de conectividad, retire la batería **B**, pero no retire el módulo de conectividad **C**.
- Si el módulo de conectividad se instala por primera vez, retire el marcador de posición de plástico **D** del compartimiento del módulo de conectividad y coloque el módulo de conectividad **C** en el compartimiento, prestando atención a la orientación correcta. **Nota:** Guarde el marcador de posición **D** en un lugar seguro. Reinserte de nuevo el marcador de posición si se retira el módulo de conectividad.
- Seguidamente, coloque la batería nueva **B** en la parte de arriba del módulo de conectividad con la polaridad “+” orientada hacia arriba.
- Coloque la cubierta **A** sobre la batería y gírela 1/4 de vuelta en el sentido de las agujas del reloj utilizando un destornillador plano o una moneda.

UTILIZACIÓN DE LA APLICACIÓN “BOSCH TOOLBOX”

La aplicación “Bosch Toolbox” se puede descargar de la tienda App Store o Google Play.

Instale la aplicación “Bosch Toolbox” en su dispositivo móvil o asegúrese de que está utilizando la versión más reciente de la apli-




Preparación para las operaciones de la sierra

cación.

Lance la aplicación “Bosch Toolbox” en su dispositivo móvil y haga clic en el ícono/mosaico “My Tools” (Mis herramientas). Siga las instrucciones de la aplicación para emparejar la herramienta con el dispositivo móvil.

RESUMEN DE LAS VENTAJAS DEL MÓDULO DE CONECTIVIDAD Y LA APLICACIÓN

Cuando se utilice con el módulo de conectividad, la aplicación “Bosch Toolbox” permitirá lo siguiente con la herramienta:

- Inscripción y personalización
 - Comprobación del estado y comunicación de mensajes de advertencia
 - Información general y ajustes
 - Ajuste de los niveles de velocidad
-  El botón de ayuda de la aplicación explica las funciones de la misma.
-  El botón de información de la aplicación muestra la información y las especificaciones de la herramienta.
-  El botón de alertas muestra cualquier alerta recibida desde la herramienta.

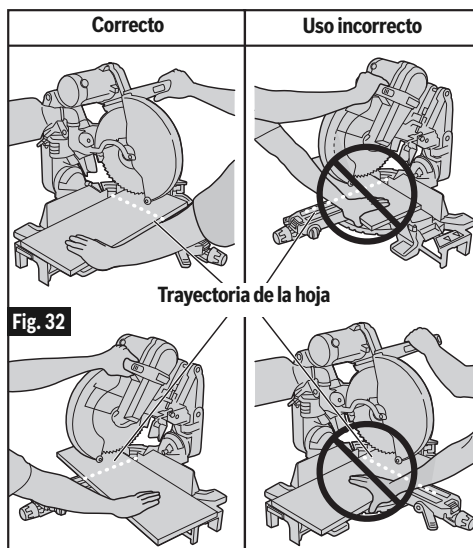


Fig. 32

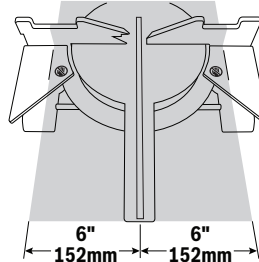
La “Zona de manos no” para realizar cortes a un inglete de cero y un bisel de cero está marcada en la herramienta con líneas y símbolos de “Manos no”, figura.

Posición del cuerpo y de las manos

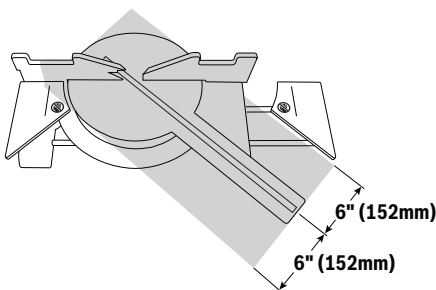
⚠ ADVERTENCIA Posicione el cuerpo y las manos de modo adecuado para hacer que las operaciones de corte sean más fáciles y seguras. Siga las instrucciones siguientes. Si no se siguen todas las instrucciones identificadas a continuación por símbolos de punto negro (•), el resultado podría ser lesiones corporales graves (vea la Fig. 32).

- Nunca ponga las manos cerca del área de corte. Mantenga las manos y los brazos fuera de la “Zona de no tocar con la mano”.

La “Zona de manos no” es un área de 6 pulgadas (305mm) de ancho en el lado izquierdo y el lado derecho de la trayectoria de corte de la hoja. La parte del tope-guía ubicada en esta área también se considera parte de la “Zona de manos no”.

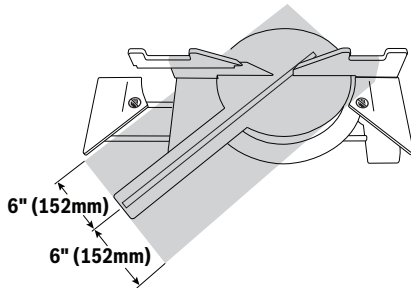


La “Zona de manos no” para todos los cortes deslizantes y a inglete a la derecha está definida en la figura.

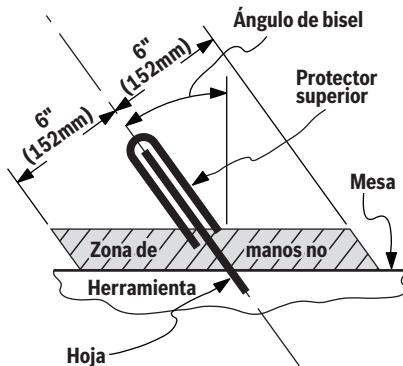


Preparación para las operaciones de la sierra

La “Zona de manos no” para todos los cortes deslizantes y a inglete a la izquierda está definida en la figura.



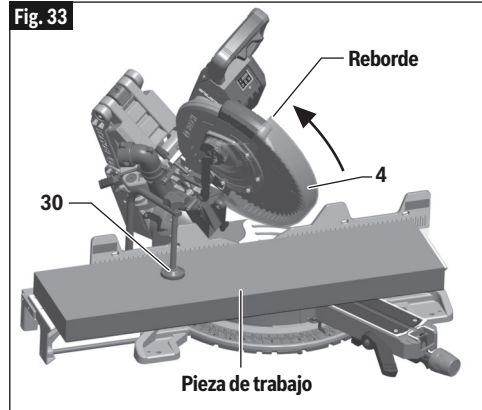
Con todos los cortes en bisel, la “Zona de manos no” se extiende verticalmente hacia arriba hasta la parte inferior del protector superior cuando el ensamblaje del cabezal está en la posición de corte más baja, figura.



Utilice las extensiones de la base deslizantes, el tope-guía deslizante y soportes adicionales de la pieza de trabajo (consulte la página 167) para soportar apropiadamente la pieza de trabajo y sujetarla o fijarla con una abrazadera fuera de la “Zona de manos no”.

La pieza de trabajo se puede sujetar contra la mesa y el tope-guía con la mano solamente fuera de la “Zona de manos no”.

- Sujete firmemente la pieza de trabajo contra la mesa y el tope-guía, para evitar que se mueva.
- Mantenga las manos en su sitio hasta que se haya soltado el gatillo y la hoja se haya detenido completamente.
- No ponga nunca las manos en los componentes del mecanismo.



- Mantenga los pies firmemente en el piso y mantenga un equilibrio adecuado.
- Siga el brazo de inglete al ingletear a la izquierda o a la derecha. Sitúese ligeramente a un lado de la hoja de sierra.

⚠ ADVERTENCIA Tenga en cuenta la trayectoria de la hoja. Haga una prueba con la sierra APAGADA, haciendo un ciclo simulado de corte y observe la trayectoria de la hoja. Mantenga las manos fuera de la trayectoria de la hoja.

PRUEBA – Es importante saber dónde se van a intersectar la hoja y la pieza en las operaciones de corte. Haga siempre la secuencia simulada de corte con la herramienta APAGADA, para comprender la trayectoria proyectada de la hoja. Tenga en cuenta mentalmente dónde cae la trayectoria de la sierra, y sostenga su pieza manteniendo sus manos y brazos fuera de la trayectoria de la hoja giratoria. Ajuste las abrazaderas y tope-guía de modo que no interfieran con el protector inferior ni la acción de corte durante la operación (vea la Fig. 31).

⚠ ADVERTENCIA Puede que el protector inferior no se abra automáticamente en ciertas condiciones de corte. Por ejemplo, cuando trate de cortar piezas que estén cerca de la altura máxima de corte. En estas condiciones o durante el movimiento de la trayectoria de corte de la hoja, la pieza de trabajo puede detener el movimiento del protector inferior antes

Preparación para las operaciones de la sierra

de que el movimiento del brazo hacia abajo pueda preabrir el protector inferior.

Si esto sucede:

La pieza de trabajo debe sujetarse firmemente con abrazadera 30. Esto deja libre una mano para subir el protector 4 por el reborde justo lo suficiente para que no toque la pieza de trabajo (Fig. 33).

Arranque la sierra y comience el corte. Una vez que haya despejado la posición donde el protector inferior podría atascarse, suelte el protector y éste continuará subiendo automáticamente a medida que usted corte.

Soporte de la pieza de trabajo

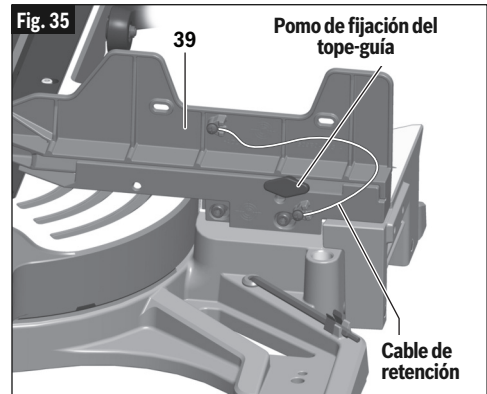
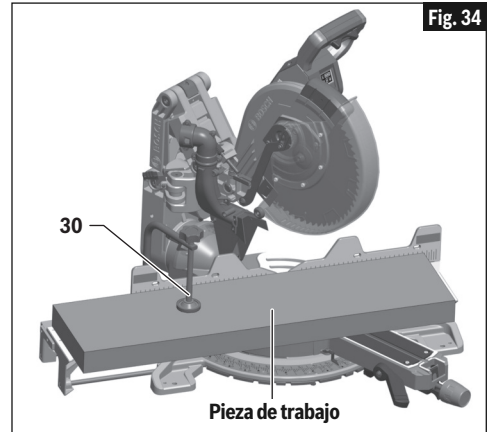
ABRAZADERAS

Utilización de la abrazadera para la pieza de trabajo – Esta abrazadera 30 sujeta fácilmente una pieza de trabajo a la mesa o la base, vea la Fig. 34.

1. Inserte la barra estriada de la abrazadera hacia abajo en un agujero para poste de abrazadera; hay dos agujeros para poste ubicados en la base detrás del tope-guía. El extremo estriado debe estar en el poste al menos 1/2 pulgada (13mm).
2. Deslice la abrazadera hacia abajo hasta que su pie de goma contacte la pieza de trabajo.
3. Ajuste la altura de la abrazadera para que no toque el tope-guía deslizante.
4. Rote el pomo de la abrazadera hasta que la pieza de trabajo esté firmemente sujeta en la posición correcta.
5. Mueva el cabezal de la sierra hacia arriba y hacia abajo y hacia delante y hacia atrás para asegurarse de que no toque la abrazadera.

⚠ ADVERTENCIA Es posible que haya cortes compuestos extremos en que no se pueda usar una abrazadera. Sujete la pieza de trabajo con la mano fuera de la “Zona de no tocar con la mano”. No intente cortar piezas cortas que no se puedan fijar con una abrazadera y que puedan hacer que la mano quede dentro de la “Zona de no tocar con la mano”.

⚠ ADVERTENCIA Tenga en cuenta la trayectoria de la hoja de sierra. Haga una prueba en vacío con la sierra APAGADA, realizando



un ciclo de corte simulado, y observe la trayectoria proyectada de la hoja de sierra. Mantenga las manos por lo menos a seis (6) pulgadas (152mm) de la trayectoria proyectada de la hoja de sierra.

Abrazaderas – Otros dispositivos de sujeción, tales como abrazaderas en C, se pueden utilizar para sujetar firmemente la pieza de trabajo contra la mesa y el tope-guía. Asegúrese de que las abrazaderas estén fuera de la trayectoria de corte.

TOPES-GUÍAS DESLIZANTES

⚠ ADVERTENCIA Para proporcionar suficiente espacio (6 pulgadas [152mm] como mínimo) desde la mano hasta la hoja de sierra, extienda los topes-guía deslizantes y las extensiones de la base cuando haga cortes extremos en bisel, a inglete o compuestos (Fig. 32).

Preparación para las operaciones de la sierra

Utilización de los topes-guías deslizantes

1. Afloje el pomo de fijación del tope-guía girándolo en sentido contrario al de las agujas del reloj 1/2 vuelta para aflojar el tope-guía (vea la Fig. 35).
2. Deslice el tope-guía **39** hasta la posición deseada.
3. Apriete el pomo de fijación girándolo en el sentido de las agujas del reloj para fijar el topeguía en la posición deseada.

Eliminación de los topes-guía deslizantes

Es posible que se tenga que quitar la guía deslizante al realizar cortes biselados extremos y la mayoría de los cortes compuestos.

1. Afloje el pomo de fijación del tope-guía girándolo en sentido contrario al de las agujas del reloj 4 rotaciones, vea la Fig. 35.
2. Levante y quite la guía deslizante.

El cable de retención ayudará a impedir que el tope-guía deslizante se ubique incorrectamente.

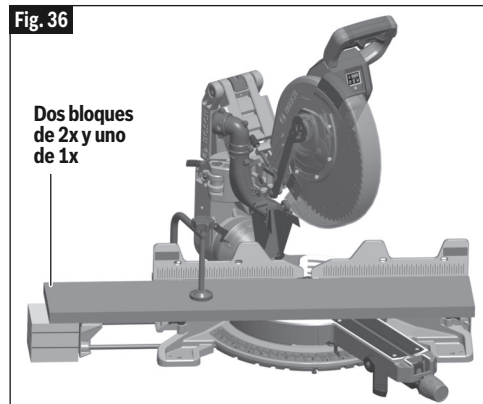
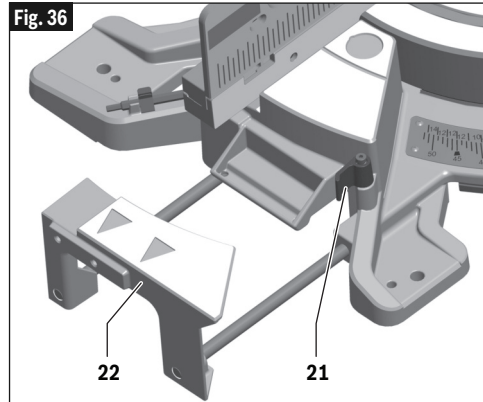
SOPORTE DE PIEZAS DE TRABAJO LARGAS

⚠ ADVERTENCIA Las piezas de trabajo largas tienen tendencia a inclinarse a menos que estén sujetas con abrazaderas y soportadas adecuadamente desde debajo.

⚠ ADVERTENCIA No use a otra persona como sustituto de una extensión de la mesa o como soporte adicional. Un soporte inestable de la pieza de trabajo puede hacer que la hoja se atore o que la pieza de trabajo se desplace durante la operación de corte, haciendo que usted contacte con la hoja que gira.

Utilización de las extensiones de la base –

Estas extensiones ofrecen soporte adicional de la pieza de trabajo y son especialmente útiles cuando se cortan piezas de trabajo largas. Para reposicionar las extensiones **21**, simplemente desbloquee las palancas de fijación de las extensiones de la base **22**, repositone las extensiones y re-bloquee las palancas (vea la Fig. 36). La palanca de fijación de la extensión izquierda se aprieta rotando en el sentido de las agujas del reloj y la palanca de fijación derecha se aprieta rotando en sentido contrario al de las agujas del reloj.



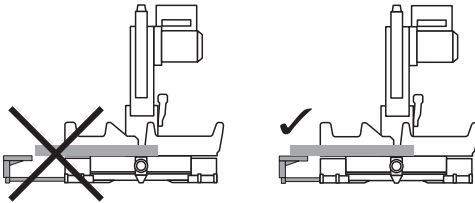
SOPORTE ADICIONAL PARA LA PIEZA DE TRABAJO

Bloques – Las piezas de trabajo largas necesitan soporte adicional. La altura de la base (3-3/4" [95mm]) está diseñada para coincidir con la madera estándar de dos bloques de 2x (38mm) y uno de 1x (19mm). Se pueden usar tablas de estos grosores para crear extensiones de soporte auxiliar para piezas de trabajo largas (vea la Fig. 37).

⚠ ADVERTENCIA Asegúrese siempre de que las superficies de soporte sean capaces de soportar apropiadamente la pieza de trabajo y permitir una sujeción segura con la mano fuera de la "Zona de manos no", o sujetarla con una abrazadera dentro o fuera de la "Zona de manos no". Consulte la página 165 para familiarizarse con la "Zona de manos no" y las posiciones apropiadas de las manos.

Preparación para las operaciones de la sierra

⚠ ADVERTENCIA Ajuste siempre la extensión de la base deslizante para soportar la pieza de trabajo. Una pieza de trabajo que no esté soportada se puede mover hasta salirse de su posición durante el corte y causar lesiones y/o daños a la herramienta.



⚠ ADVERTENCIA Tenga en cuenta la trayectoria de la hoja de sierra. Haga una prueba en vacío con la sierra APAGADA, realizando un ciclo de corte simulado, y observe la trayectoria proyectada de la hoja de sierra. Mantenga las manos por lo menos a seis (6) pulgadas (152mm) de la trayectoria proyectada de la hoja de sierra.

FABRICACIÓN DE UN TOPE-GUÍA AUXILIAR

Ciertos tipos de moldura necesitan una extensión de la cara del tope-guía debido al tamaño y la posición de la pieza de trabajo. El tope-guía cuenta con agujeros para sujetar un tope-guía auxiliar. El tope-guía auxiliar se usa con la sierra en la posición de bisel de 0° solamente.

1. Coloque un pedazo de madera contra el tope-guía de la sierra para cortar ingletes (vea la Fig. 38). (La madera puede tener una altura máxima de 5-1/2" (140mm).

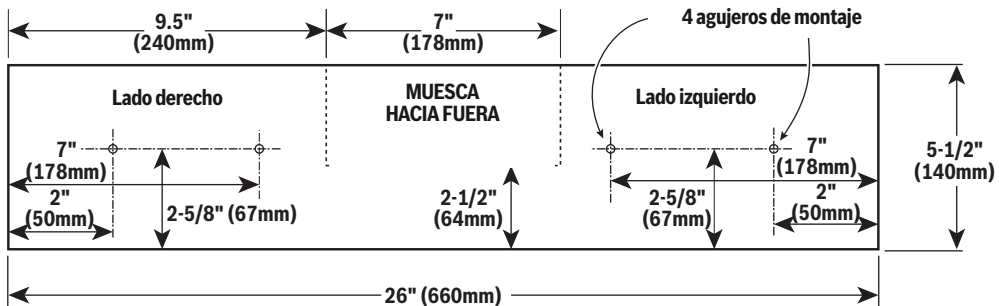
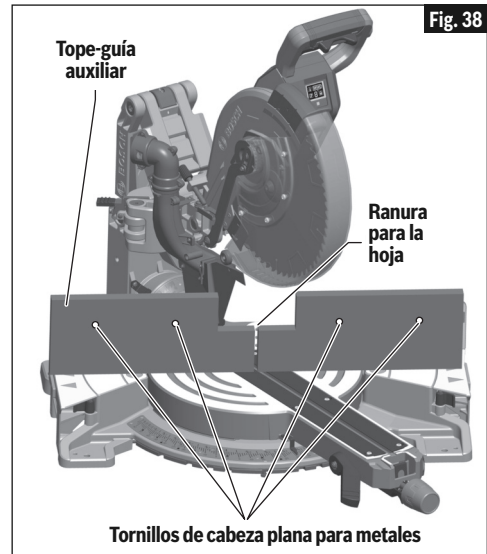


Fig. 39 Tope-guía auxiliar alto de madera, 3/4 de pulgada (19mm) de grosor



Compruebe que el ensamblaje del cabezal no interfiera con el tope-guía auxiliar.) Vea el dibujo con dimensiones, Fig. 39.

⚠ ADVERTENCIA Compruebe si hay interferencia entre el tope-guía auxiliar y los componentes del cabezal de la sierra realizando una pasada de prueba. La interferencia con el tope-guía puede impedir el funcionamiento apropiado de la sierra y causar lesiones y/o daños a la herramienta.

2. Marque las ubicaciones de los agujeros de soporte en la madera desde el lado posterior del tope-guía.
3. Taladre y avellane los agujeros en la

Preparación para las operaciones de la sierra

- parte delantera de la tabla de soporte.
- Sujete con tornillos desde la parte delantera del tope-guía: Fije cada tope-guía auxiliar con dos (2) tornillos de máquina, de cabeza plana, de 3/16 de pulgada (M5). Con tope-guía auxiliares de 3/4 de pulgada (19mm), use tornillos de 1-1/2 pulgada (38mm) de longitud. Asegúrelos detrás del tope-guía metálico con arandelas y tuercas de máquina.
Sujete con tornillos desde la parte trasera del tope-guía: Para el tope-guía auxiliar de 3/4 de pulgada (19mm), use tornillos de madera de cabeza redonda de 1/4 de pulgada (M6) por 3/4 de pulgada (20mm) de longitud. Perfore cuatro (4) agujeros piloto menores de 1/4 de pulgada (6mm) a través del tope-guía auxiliar, y pase los tornillos por la parte posterior del tope-guía metálico.

⚠ ADVERTENCIA Tenga en cuenta la trayectoria de la hoja de sierra. Haga una prueba en vacío con la sierra APAGADA, realizando un ciclo de corte simulado, y observe la trayectoria proyectada de la hoja de

sierra. Mantenga las manos por lo menos a seis (6) pulgadas (152mm) de la trayectoria proyectada de la hoja de sierra.

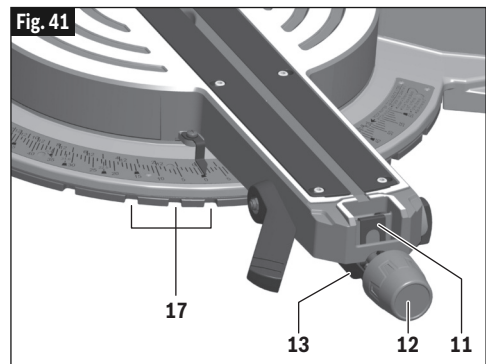
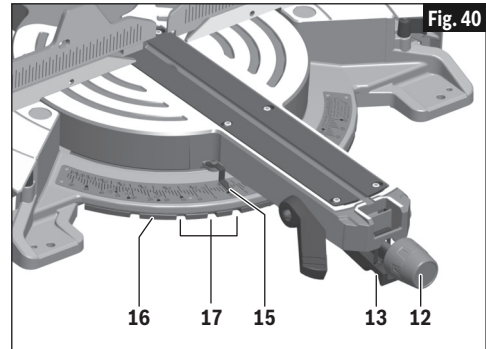
- Haga un corte de profundidad completa para crear la ranura para la hoja. Compruebe si hay interferencia entre el tope-guía auxiliar y el protector inferior de la hoja. Haga ajustes según sea necesario.
- Para lograr los mejores cortes libres de astillas, utilice el método de corte de troceado.
- Cuando haga cortes deslizantes, el centro debe estar enmuescado hacia fuera de acuerdo con el patrón (vea la Fig. 38).

Operaciones de la sierra

Utilización del sistema de retén de inglete

1. Afloje el pomo de fijación de inglete **12** aproximadamente 1/2 vuelta.
2. Agarre el pomo de fijación y luego baje el dedo índice para jalar hacia arriba la palanca de retén de inglete **13**. Jale la palanca hasta que esté fuera de la placa de retén.
3. Mientras agarra el pomo de fijación y la palanca, rote la mesa de la sierra. Detenga la rotación de la mesa en el ángulo deseado, tal y como lo indique el indicador de la escala de ingletes **15**.
4. Suelte la palanca en un retén **17** de la placa de retén **16** o en un ángulo entre retenes. Si está cerca de un retén, use el dispositivo de sobrecontrol del retén.
5. Apriete el pomo de fijación de inglete antes de cortar.

NOTA: Se recomienda apretar la perilla de bloqueo de inglete antes de todos los cortes. Se requiere apretar la perilla antes de cortar en cualquier ángulo entre retenes o cuando se usa el sistema de anulación de retención de ingletes.



Sobrecontrol del retén de inglete

El sistema de sobrecontrol del retén de inglete anula la acción de retén automática. Cuando el ángulo de inglete deseado está cerca de una ranura de retén estándar, este dispositivo impedirá que la cuña de la palanca de retén se acople (por ej., el usuario quiere que esté a 44-1/2°, pero la cuña del retén quiere entrar en el retén de 45°). Cuando se utiliza el sobrecontrol del retén, el sistema de retén queda desactivado y la mesa se moverá suavemente hasta cualquier posición que se encuentre dentro de su alcance.

1. Jale hacia arriba la palanca de retén de inglete **13** y manténgala jalada.
2. Empuje el clip de anulación de retención **11** hacia adelante y enganche en su lugar sobre el borde de recepción en el brazo de la placa giratoria. Libere la palanca de detención del inglete (Fig. 41).
3. Gire la mesa a cualquier posición en la escala de inglete.

4. Bloquee la perilla de bloqueo de inglete para retener la posición de inglete.

Desacoplamiento:

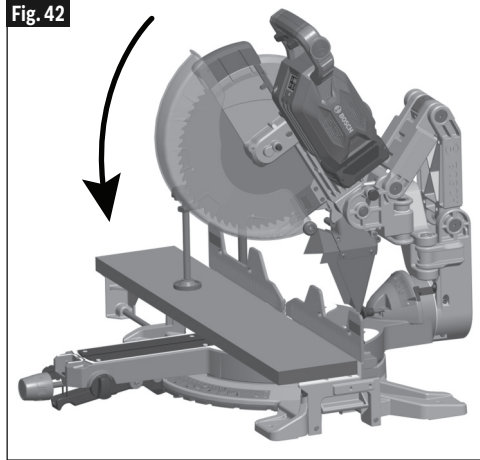
Loosen miter lock knob and lift the miter detent lever to release the detent override clip. The clip should automatically disengage and the table should lock into any desired miter detent.

Operaciones de la sierra

Cortes de troceado

¿QUÉ ES UN CORTE DE TROCEADO?

- Un “corte de troceado” es un corte transversal realizado cuando la sierra está sujeta en la posición más trasera y es operada como una sierra para cortar ingletes convencional (no deslizante). La utilización del método de corte de troceado reduce la capacidad de corte transversal; sin embargo, muchos usuarios prefieren utilizar este método porque es más rápido cuando se realizan cortes repetidos. Este método también puede producir cortes más precisos, porque el cabezal de la sierra está fijo en la posición retraída.
- Esta sierra tiene topes de ángulo de bisel que detienen con precisión en ángulos críticos: 45° a la izquierda/derecha y 0° a la derecha. Viene ajustada de la fábrica y no debería requerir ajuste. Sin embargo, después de un uso extenso o si la herramienta ha recibido un golpe duro, es posible que requiera un ajuste.
- Un corte de troceado puede cortar piezas con una anchura de 5-1/2 pulgadas (140mm) o menos



⚠ ADVERTENCIA Tenga en cuenta la trayectoria de la hoja de sierra. Haga una prueba en vacío con la sierra APAGADA, realizando un ciclo de corte simulado, y observe la trayectoria proyectada de la hoja de sierra. Mantenga las manos por lo menos a seis (6) pulgadas (152mm) de la trayectoria proyectada de la hoja de sierra.

PREPARACIÓN PARA UN CORTE DE TROCEADO

1. Con el cabezal de la sierra en la posición hacia ARRIBA, empujelo hacia atrás sobre el tope-guía, hacia la parte trasera.
2. Acople la palanca de fijación del mecanismo (artículo 27, página 140) levantando la lengüeta de dedo. Compruebe que el movimiento del mecanismo es detenido.
3. Posicione apropiadamente la pieza de trabajo y sujétela firmemente con una abrazadera a la mesa y/o al tope-guía.

⚠ ADVERTENCIA Use una posición de sujeción con abrazadera que no interfiera con la operación. Antes de “ENCENDER” la herramienta, baje el ensamblaje del cabezal para asegurarse de que la abrazadera no toque el protector ni el ensamblaje del cabezal.

REALIZACIÓN DE UN CORTE DE TROCEADO

1. Active el interruptor y luego baje completamente el cabezal de la sierra para hacer el corte.
2. Sujete hacia abajo el cabezal de la sierra hasta que la hoja se detenga por completo. Devuelva el cabezal de la sierra hasta la posición hacia ARRIBA. Retire la pieza de trabajo.

Operaciones de la sierra

Cortes deslizantes

¿QUÉ ES UN CORTE DESLIZANTE?

- Un “corte deslizante” se hace con el ensamblaje del cabezal desbloqueado y capaz de moverse de manera que se aleje del tope-guía. Este movimiento es soportado y controlado con precisión por el sistema de deslizamiento axial. La máxima capacidad de corte transversal se utiliza empleando este método.
- El mejor uso de un corte deslizante es para cortar transversalmente piezas de trabajo más anchas que las que se pueden cortar mediante troceado; piezas más anchas de 5-1/2 pulgadas (140mm) y hasta una anchura máxima de 13-3/8 pulgadas (340mm) transversalmente.

⚠ ADVERTENCIA No jale NUNCA la sierra hacia usted durante un corte. La hoja puede trepar repentinamente sobre la pieza de trabajo y forzarse a sí misma hacia usted.

PREPARACIÓN PARA UN CORTE DESLIZANTE

1. Coloque el cabezal de la sierra en la posición hacia ARRIBA.
2. Desacople la palanca de fijación del mecanismo (artículo 27, página 140) empujando hacia abajo sobre la lengüeta de dedo. Con el ensamblaje del cabezal en la posición hacia ARRIBA, muévelo completamente hacia delante y hacia atrás para comprobar si el sistema de deslizamiento axial se mueve suavemente.
3. Posicione apropiadamente la pieza de trabajo y sujétela firmemente con una abrazadera a la mesa y/o al tope-guía.

⚠ ADVERTENCIA Utilice una posición de sujeción con abrazadera que no interfiera con la operación. Antes de “ENCENDER” la herramienta, baje el ensamblaje del cabezal para asegurarse de que la abrazadera no toque el protector ni el ensamblaje del cabezal.

⚠ ADVERTENCIA Tenga en cuenta la trayectoria de la hoja de sierra. Haga una prueba en vacío con la sierra APAGADA, realizando un ciclo de corte simulado, y observe la

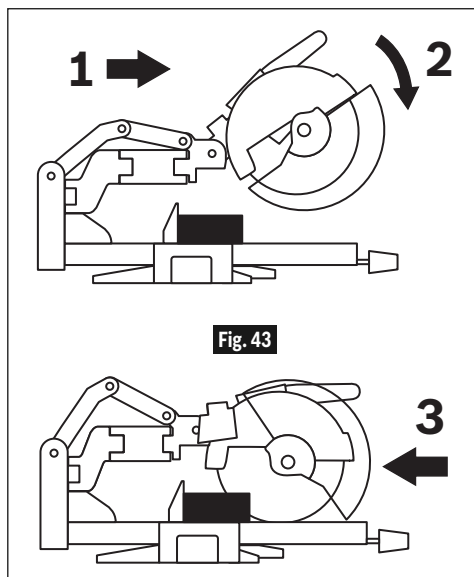


Fig. 43

trayectoria proyectada de la hoja de sierra. Mantenga las manos por lo menos a seis (6) pulgadas (152mm) de la trayectoria proyectada de la hoja de sierra.

REALIZACIÓN DE UN CORTE DESLIZANTE

1. Agarre el mango con interruptor y jale el ensamblaje del cabezal de la sierra (en la posición hacia ARRIBA) alejándolo del tope-guía. Vea la Flecha 1 en la Fig. 43.
2. Active el interruptor y baje completamente el ensamblaje del cabezal de la sierra. En piezas de trabajo más grandes, es posible que esta acción también inicie el corte. Vea la Flecha 2 en la Fig. 43.
3. Empuje hacia abajo y hacia atrás para que el ensamblaje del cabezal de la sierra se mueva hacia el tope-guía y hasta la posición completamente hacia atrás hasta que complete el corte. Vea la Flecha 3 en la Fig. 43. NOTA: Si se siente una resistencia elevada, no ejerza una fuerza excesiva. Deje de cortar, espere hasta que la hoja se detenga e investigue el problema.
4. Sujete hacia abajo el cabezal de la sierra hasta que la hoja se detenga por completo. Devuelva el cabezal de la sierra a la posición hacia ARRIBA y retire la pieza de trabajo.

Operaciones de la sierra

Cortes a inglete

QUÉ ES UN CORTE A INGLETE?

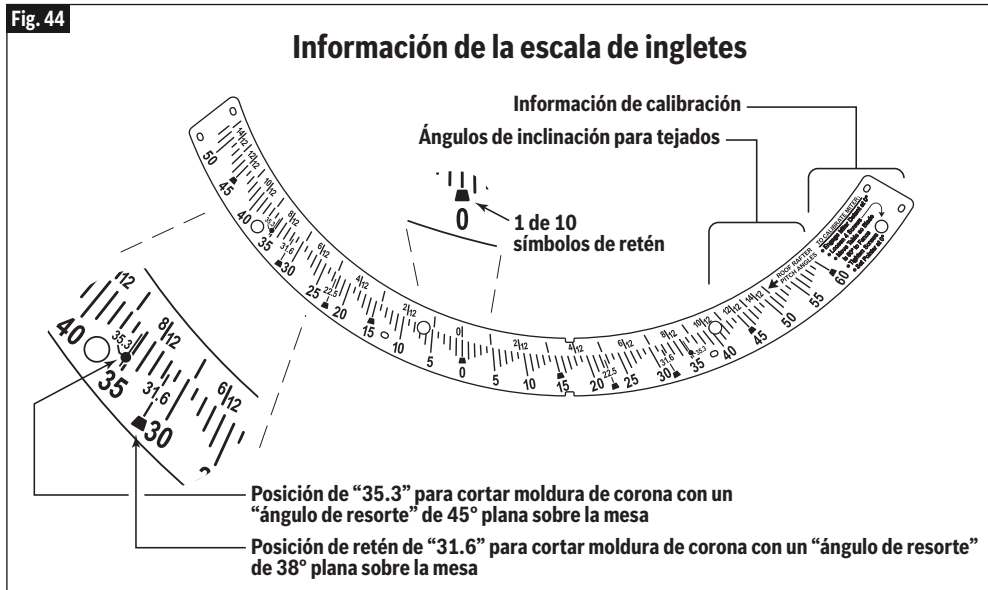
- Un “corte a inglete” es un corte transversal realizado con la hoja perpendicular a la mesa horizontal. La hoja no está inclinada y los indicadores de bisel están ambos en las líneas de 0°.
- Los cortes a inglete se pueden hacer en cualquier ángulo a través de una pieza de trabajo dentro del intervalo de esta sierra, desde 52° a la izquierda hasta 60° a la derecha.
- La escala de ingletes muestra el ángulo de la hoja en relación con el tope-guía de la sierra. El indicador de inglete se instala en la mesa giratoria e indica la posición de inglete de la sierra antes de que se haga el corte.
- Se suministran diez retenes positivos para ofrecer ángulos de inglete preestablecidos rápidos y precisos. Las ubicaciones son a 45°, 31.6°, 22.5°, 15° a izquierda y derecha, y centro a 0°. El lado derecho tiene un retén adicional de 60°.
- Los retenes de moldura de corona ubicados a la izquierda y a la derecha están a 31.6° para cortar moldura de corona con un “ángulo de resorte” de 38° apoy-

ada plana sobre la mesa (consulte “Corte de moldura de corona” en la página 183).

- Para hacer ajustes de precisión en el caso de ángulos de inglete muy próximos a los retenes de inglete, utilice el sobrecontrol del retén de inglete para impedir que el retén se acople automáticamente en la ranura para retén. Consulte las instrucciones de sobrecontrol del retén en la página 171.
- Un corte a inglete se puede hacer como un corte de troceado o como un corte deslizante, dependiendo de la anchura de la pieza de trabajo.
- Los insertos de sección de corte se deben ajustar para que estén lo más cerca posible de la hoja con el fin de reducir el astillamiento (consulte las instrucciones para los insertos de sección de corte en la página 154).

LECTURA DE LA ESCALA DE INGLETES

La escala de ingletes utilizada en esta sierra incluye varias escalas de información para ayudar al usuario a preajustar esta sierra de manera precisa antes de hacer los cortes (vea la Fig. 44).

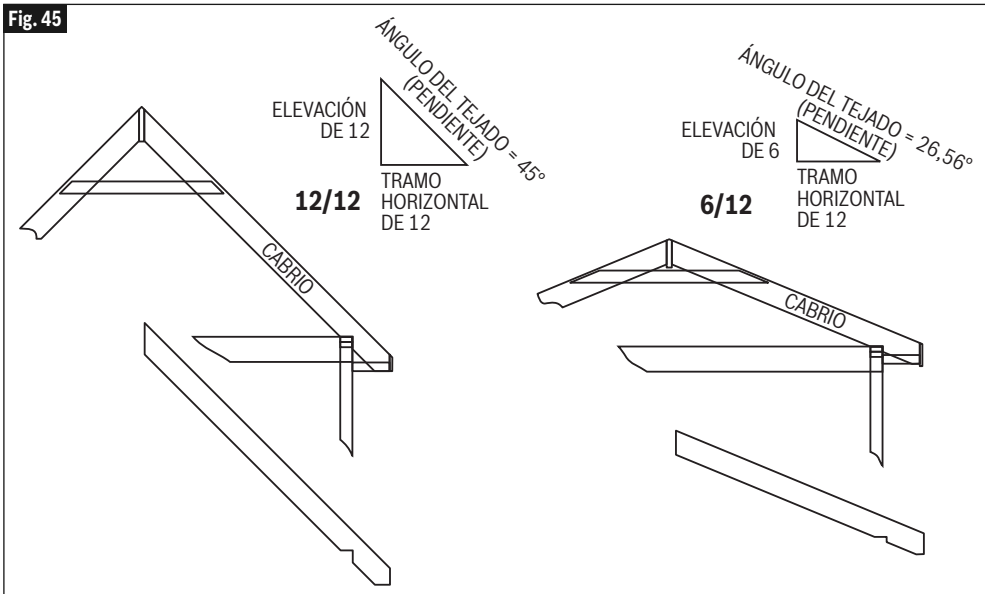


Operaciones de la sierra

Información del ángulo de inclinación – La sección superior de la escala de ingletes muestra los ajustes de ángulo requeridos para cortar cabrios de tejado con el sistema de “ángulo de inclinación”. 2/2, 4/12, 6/12, etc., son todos ángulos de inclinación. Este

sistema se basa en el uso de “pulgadas” inglesas. Un tejado con un ángulo de inclinación de 6/12 es igual a una relación de “elevación” de 6 pulgadas (152mm) por cada “tramo horizontal” de 12 pulgadas (305mm) (vea la Fig. 45).

Fig. 45



Información de moldura de corona – Hay ajustes de las posiciones de inglete para hacer cortes compuestos de moldura de corona plana sobre la mesa. La moldura de corona con un “ángulo de resorte” de 38° utiliza el ajuste de 31.6 (con retén) y la

moldura de corona con un “ángulo de resorte” de 45° utiliza el ajuste de 35.3. NOTA: Este método de corte también requiere que se ajusten ángulos de bisel específicos. Consulte “Corte de moldura de corona” en la página 183.

Operaciones de la sierra

Corte a inglete de tablas de zócalo de 6-3/4 pulgadas (171mm) – Esta sierra puede cortar a inglete tablas de zócalo de 6-3/4 pulgadas (171mm) de altura posicionadas verticalmente contra el tope-guía en cualquier ángulo desde 0° hasta 52°. Todos los cortes angulados se deben hacer con la tabla de zócalo colocada en el lado izquierdo de la mesa. Para ciertos cortes, la tabla de zócalo tendrá que ser volteada al revés o colocada con el lado de la cara contra el tope-guía. Use siempre una abrazadera en C para sujetar la tabla de zócalo al tope-guía antes de hacer cortes. NOTA: Para cortar tabla de zócalo estándar de hasta 3-7/8 pulgadas (100mm) de altura, no se requiere colocación especial y se puede cortar a inglete en cualquier ángulo a la izquierda o a la derecha.

AJUSTE DE LA SIERRA PARA HACER UN CORTE A INGLETE

1. Consulte “Utilización del sistema de retén de inglete” en la página 171.
2. Afloje el pomo de fijación de inglete **12**. Levante la palanca de retén de inglete **13** y mueva la sierra hasta el ángulo deseado, utilizando los retenes **17** o la escala de ingletes **15**. Apriete el pomo de fijación de inglete (vea la Fig. 47).
3. Extienda las extensiones de la base **22** y el tope-guía en el lado en el cual se hará el corte (consulte “Soporte de la pieza de trabajo” en la página 167).
4. Posicione apropiadamente la pieza de trabajo. Asegúrese de que la pieza de trabajo esté sujeta firmemente con una abrazadera contra la mesa o el tope-guía.

⚠ ADVERTENCIA Utilice una posición de sujeción con abrazadera que no interfiera con la operación. Antes de “ENCENDER” la sierra, baje el cabezal de la sierra para asegurarse de que la abrazadera no toque el protector ni el ensamblaje del cabezal.

5. Siga los procedimientos para realizar un corte de troceado o un corte deslizante (consulte las páginas 172–173).
6. Espere hasta que la hoja de sierra se detenga por completo antes de devolver el cabezal a la posición elevada y luego retire la pieza de trabajo.

Fig. 46

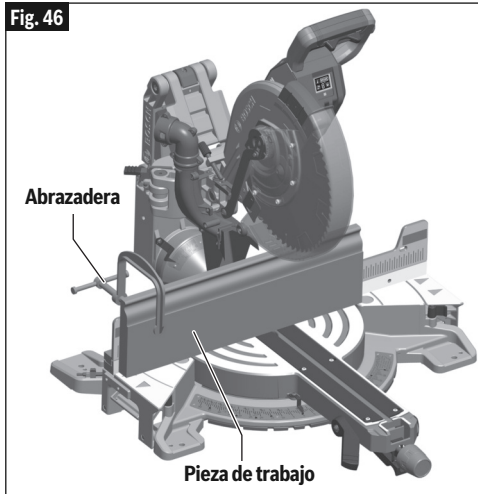
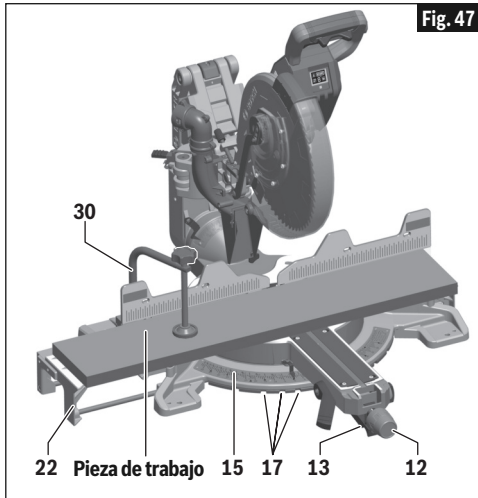


Fig. 47



Operaciones de la sierra

Cortes en bisel

QUÉ ES UN CORTE EN BISEL

- Un “corte en bisel” es un corte transversal realizado con la hoja perpendicular al tope-guía y con la mesa ajustada a un in-

glete de 0°. La hoja se puede inclinar hasta cualquier ángulo del intervalo de la sierra: el izquierdo es de 0 a 47° y el derecho es de 0 a 47°.

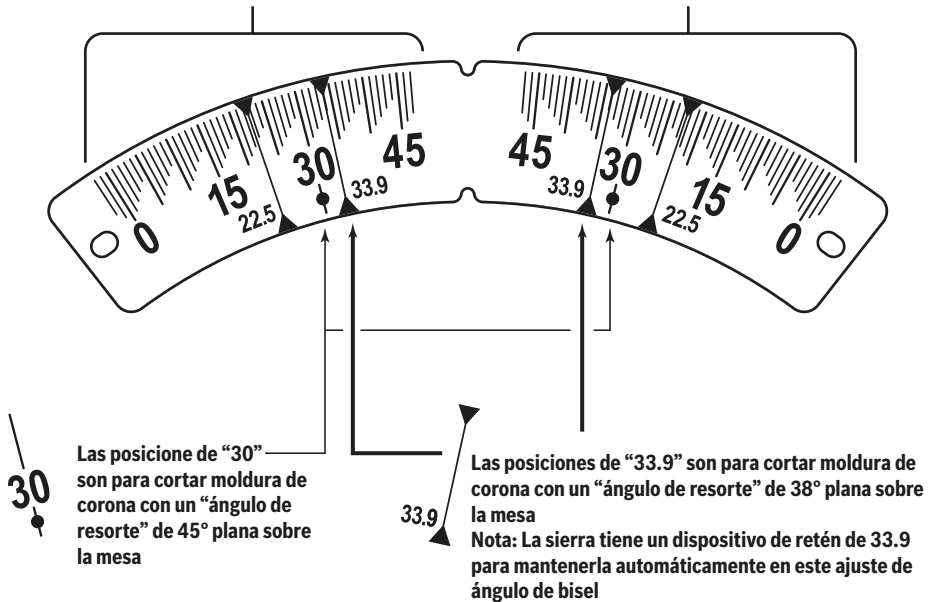
- La escala de bisel está dimensionada y posicionada para facilitar su lectura. Vea la Fig. 48.

Fig. 48

INFORMACIÓN DE LA ESCALA DE BISEL

Observe mientras se inclina hacia la derecha

Observe mientras se inclina hacia la izquierda

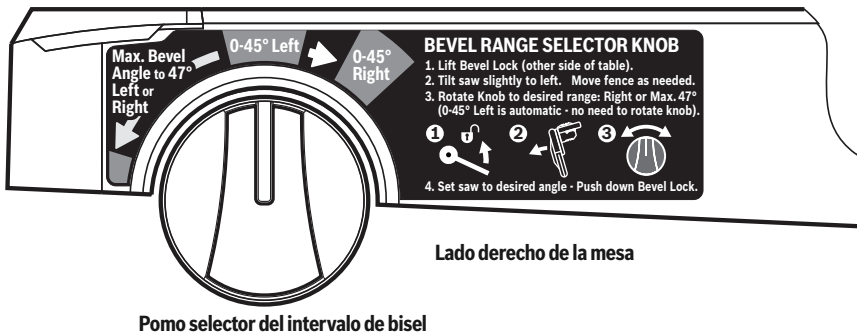


Pomo selector del intervalo de bisel – Esta sierra tiene un control delantero en el lado derecho del brazo de la mesa. Esto se conoce como el pomo selector del intervalo de bisel 41. Está unido a los topes y los mecanismos de fijación ubicados en la

parte trasera, que controlan la capacidad de la herramienta para ser posicionada de manera rápida y precisa para hacer cortes en bisel. Hay topes positivos en los ángulos importantes de 45° a la izquierda, 0° (vertical) y 45° a la derecha (vea la Fig. 49).

Operaciones de la sierra

Fig. 49



UTILIZACIÓN DEL POMO SELECTOR DEL INTERVALO DE BISEL

Intervalo de bisel 1 = 0-45° a la izquierda

Este intervalo de bisel del lado izquierdo es el ajuste preestablecido.

Para operar en el intervalo de bisel 1:

1. Mueva el tope-guía deslizante izquierdo hacia fuera para que no toque el ensamblaje de la sierra y fíjelo de nuevo (Fig. 51).
2. Levante la palanca de fijación de bisel por encima de la altura de la mesa con la mano izquierda.
3. Agarre el mango principal con la mano derecha e incline el ensamblaje de la sierra hasta el ángulo deseado.
4. Una vez que esté en la posición de bisel deseada, sujete el ensamblaje de la sierra con la mano derecha y utilice la mano izquierda para presionar completamente hacia abajo la palanca de fijación de bisel por debajo de la altura de la mesa.

NOTA: Sin "ENCENDER" la sierra, realice un corte en seco para asegurarse de que el tope-guía no toque los protectores y ajústelo si es necesario.

Intervalo de bisel 2 = 0-45° a la derecha

Para operar en el intervalo de bisel 2:

1. Mueva el tope-guía deslizante derecho hacia fuera para que no toque el ensamblaje de la sierra y fíjelo de nuevo (vea la Fig. 51).
2. Levante la palanca de fijación de bisel por encima de la altura de la mesa con la mano izquierda.

3. Agarre el mango principal con la mano izquierda e incline el ensamblaje de la sierra ligeramente hacia la izquierda mientras rota el pomo selector del intervalo de bisel accionado por resorte con la mano derecha para que el indicador del pomo señale hacia "0-45° a la derecha" como en la etiqueta.

4. Una vez que esté en la posición de bisel deseada, sujete el ensamblaje de la sierra con la mano derecha y utilice la mano izquierda para presionar completamente hacia abajo la palanca de fijación de bisel por debajo de la altura de la mesa.

NOTA: Cuando el ensamblaje de la sierra esté inclinado hacia atrás y hacia la izquierda, pasado 0°, el pomo de control de bisel se acoplará de vuelta a presión al intervalo de bisel preestablecido 1. Esto está diseñado para recuperar el tope de bisel preestablecido en la importante posición de 0°.

Intervalo de bisel 3 = Máximo ángulo de bisel a 47° a la izquierda o a la derecha

Este ajuste del intervalo de bisel de capacidad completa anula todos los topes preestablecidos y permite cortar en ángulos de bisel más allá de los 45° normales a cada lado.

Para operar en el intervalo de bisel 3:

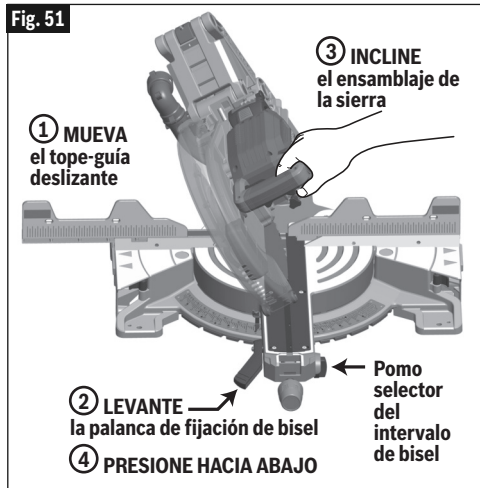
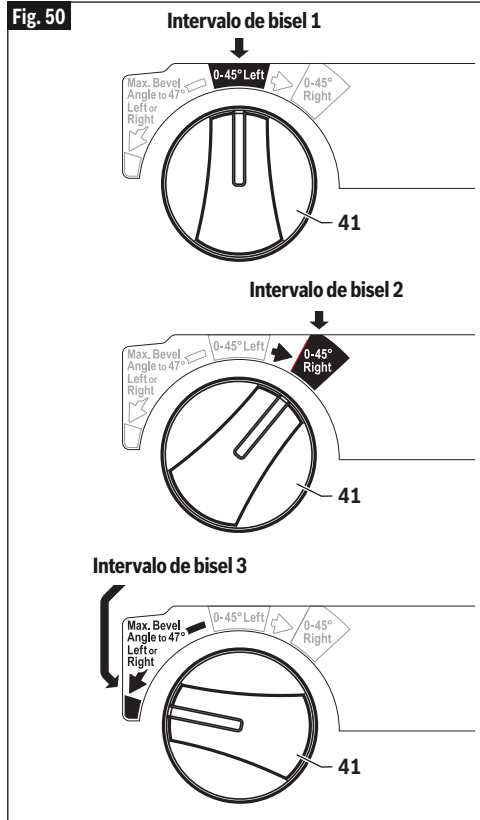
1. Mueva los topes-guía deslizantes izquierdo y derecho hacia fuera para que no toquen el ensamblaje de la sierra y fíjelos de nuevo (vea la Fig. 51).
2. Levante la palanca de fijación de bisel por encima de la altura de la mesa con

Operaciones de la sierra

la mano izquierda.

3. Agarre el mango principal con la mano izquierda e incline el ensamblaje de la sierra ligeramente hacia la izquierda mientras rota el pomo selector del intervalo de bisel accionado por resorte con la mano derecha para que el indicador del pomo señale el cuadrado rojo ubicado debajo de "Max. Bevel Angle to 47° Left or Right" (Máximo ángulo de bisel a 47° a izquierda o derecha).
4. Una vez que esté en la posición de bisel necesaria, sujete el cabezal de la sierra con la mano derecha y utilice la mano izquierda para presionar hacia abajo la palanca de fijación de bisel por debajo de la altura de la mesa.

NOTA: El pomo selector permanecerá en esta posición de "sobrecontrol". Gire el pomo ligeramente en el sentido de las agujas del reloj y se acoplará de vuelta a presión en el intervalo de bisel 1 (posición preestablecida).



Operaciones de la sierra

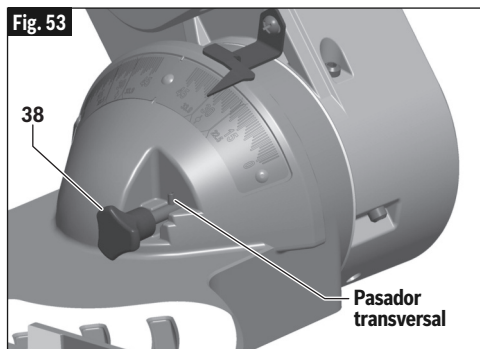
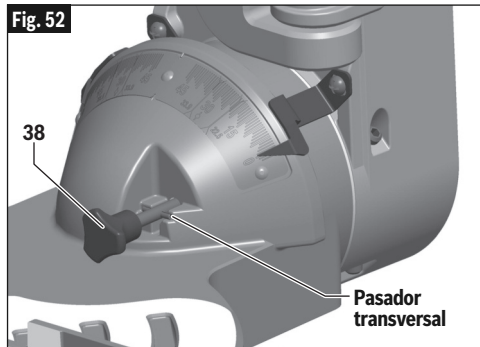
⚠ ADVERTENCIA Para realizar cortes en compuestos, ajuste el tope-guía deslizante de manera que no esté en la trayectoria de la hoja y no interfiera con el sistema del protector.

TOPES Y RETENES DE ÁNGULO DE BISEL

- La sierra tiene topes de ángulo de bisel que detienen con precisión en los ángulos críticos: 45° a la izquierda, 0°, y 45°. Viene ajustada de fábrica y no debería necesitar ser ajustada. Sin embargo, después de un uso extenso o si la herramienta ha recibido un golpe duro, es posible que requiera un ajuste.
- La sierra tiene un pasador de retén del ángulo de bisel **38** que sólo se puede acoplar a 33.9° a la izquierda o a la derecha. Éste es el ángulo de bisel requerido cuando se corta moldura de corona con un “ángulo de resorte” de 38° plana sobre la mesa. NOTA: Si el pasador de retén de bisel se acopla automáticamente a 33.9° e impide la inclinación de la sierra a otro ángulo, simplemente jálelo hasta la parte delantera y rote su pasador transversal 1/4 de vuelta para que descance en la posición desacoplada. Si el pasador se está atorando en el interior, incline y oscile el cabezal de la sierra de un lado a otro mientras lo jala (vea la Fig. 52).

AJUSTE DE LA SIERRA PARA HACER UN CORTE EN BISEL

1. Levante la palanca de fijación de bisel para desbloquear (vea el artículo **14**, página 140).
2. Escoja el intervalo de bisel deseado utilizando el pomo selector del intervalo de bisel. NOTA: Si está en la posición de 0° y moviéndose al “Intervalo de 0-45°”, es posible que sea necesario mover el ensamblaje del cabezal ligeramente hacia la izquierda antes de que se pueda girar el pomo selector.
3. Agarre el mango principal e incline el ensamblaje del cabezal de la sierra hasta el ángulo deseado mientras observa uno de los indicadores de ángulo de bisel.



Observe el indicador derecho cuando incline el ensamblaje hacia la izquierda o el indicador izquierdo cuando incline el ensamblaje hacia la derecha.

4. Continúe sujetando la sierra y empuje hacia abajo sobre la palanca de fijación de bisel (con la mano izquierda) para fijarla. Suelte la herramienta.
5. Siga los procedimientos de corte de troceado o corte deslizante indicados en este manual.

Operaciones de la sierra

Cortes compuestos

⚠ ADVERTENCIA Para realizar cortes en compuestos, ajuste el tope-guía deslizante de manera que no esté en la trayectoria de la hoja y no interfiera con el sistema del protector.

⚠ ADVERTENCIA Antes de aserrar, asegúrese siempre de que no haya interferencia entre las partes móviles y las partes estacionarias de la sierra. No utilice la sierra en el siguiente intervalo de combinaciones de inglete y bisel: Bisel izquierdo 45° a 47° Y ADEMÁS inglete derecho 40° a 42°. Estas combinaciones de inglete y bisel pueden causar interferencia entre las partes deslizantes y estacionarias de la sierra o entre las partes deslizantes y la pieza de trabajo.

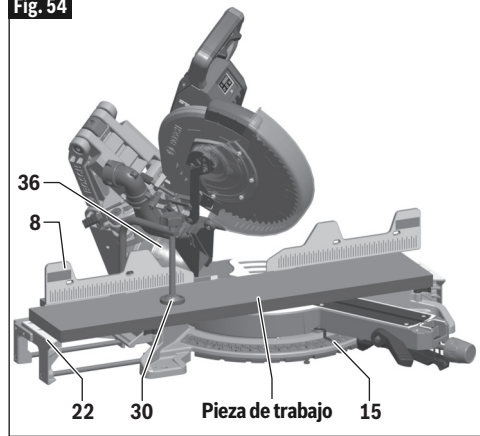
QUÉ ES UN CORTE COMPUESTO?

- Un “corte compuesto” es un corte transversal sencillo realizado con la hoja de la sierra preajustada en dos ángulos, combinando un ángulo de inglete (relativo al tope-guía vertical) con un ángulo de bisel (relativo a la mesa horizontal).
- Los ángulos de inglete obtendrán con la mesa girada alejándose de 0° y dentro del intervalo de esta sierra de 52° a la izquierda 60° a la derecha.
- Un ángulo de bisel ocurre cuando la hoja está inclinada alejándose de 0°. El intervalo de esta sierra es de 47° a la izquierda a 47° a la derecha. NOTA: Si el pasador de retén de bisel se acopla automáticamente a 31.6° e impide la inclinación de la sierra a otro ángulo, simplemente jálalo hasta la parte delantera y rote su pasador transversal 1/4 de vuelta para que descansa en la posición desacoplado. Si el pasador se está atorando en el interior, incline y oscile el cabezal de la sierra hacia un lado mientras jala de él.
- Un corte compuesto se puede hacer como un corte de troceado o un corte deslizante.

Siga estas instrucciones para realizar un corte compuesto:

1. Extienda las extensiones de la base **22** y el tope-guía **8**. (Consulte “Tope-guía deslizante” y “Extensiones de la base” en las páginas 167 y 168).

Fig. 54



2. Posicione apropiadamente la pieza de trabajo. Asegúrese de que la pieza de trabajo esté sujeta firmemente con una abrazadera contra la mesa o el tope-guía (Fig. 54).

⚠ ADVERTENCIA Utilice una posición de sujeción con abrazadera que no interfiera con la operación. Antes de encender la sierra, baje el ensamblaje del cabezal para asegurarse de que la abrazadera no toque ni el protector ni el ensamblaje del cabezal.

⚠ ADVERTENCIA Tenga en cuenta la trayectoria de la hoja de sierra. Haga una prueba en vacío con la sierra APAGADA, realizando un ciclo de corte simulado, y observe la trayectoria proyectada de la hoja de sierra. Mantenga las manos por lo menos a seis (6) pulgadas (152mm) de la trayectoria proyectada de la hoja de sierra.

3. Ajuste los ángulos de inglete **15** y de bisel **36** de acuerdo con las instrucciones de las páginas 174 – 180 para realizar cortes a inglete y en bisel.
4. Siga los procedimientos para corte de troceado o corte deslizante.
5. Espere hasta que la hoja se detenga por completo antes de devolver el ensamblaje del cabezal a la posición elevada y/o retirar la pieza de trabajo.

La realización de cortes de moldura de corona en posición plana sobre la mesa requiere cortes compuestos. Consulte la sección “Corte de moldura de corona” en la página 183.

Operaciones de la sierra

Corte de ranuras

El ajuste del tope de profundidad es una función que se usa para cortar ranuras en la pieza de trabajo.

El ajuste de profundidad se usa para limitar la profundidad de la hoja para cortar ranuras.

NOTA: Lea y entienda toda las instrucciones indicadas en la página 152, en la sección "Ajustes" de "Ajuste de la profundidad de la hoja para cortes no pasantes con el fin de cortar ranuras".

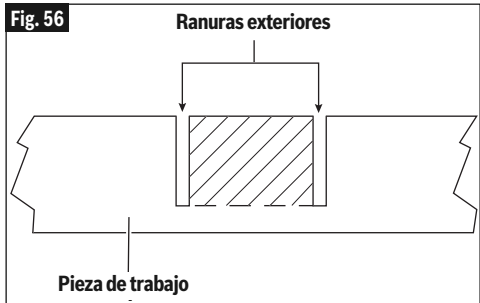
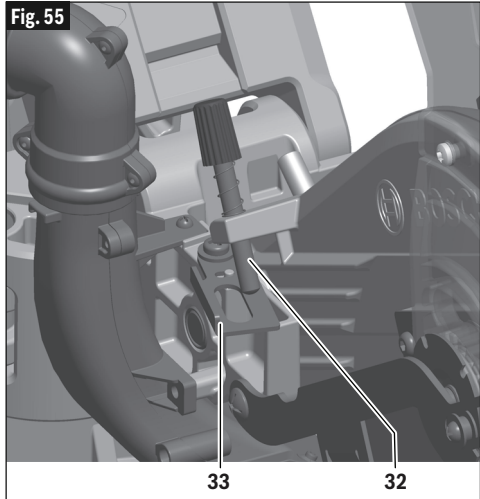
NOTA: Para obtener los mejores resultados, Bosch recomienda el uso de una sierra de mesa con un juego de hojas mortajadoras opcional para cortar ranuras y hacer cortes no pasantes. En el caso de que dicho juego no esté disponible, la función descrita a continuación es una alternativa conveniente.

La ranura se debe hacer con corte deslizante.

1. Para ajustar la profundidad de la ranura, jale hacia fuera la placa del tope de profundidad **33** y rote el tornillo del tope de profundidad **32** (Fig. 55). Al rotar el tornillo del tope de profundidad en el sentido de las agujas del reloj se subirá la hoja de sierra y al rotar el tornillo en sentido contrario al de las agujas del reloj se bajará la hoja.
2. Para los ajustes pequeños, sólo gire el perno de tope de profundidad hasta llegar a la posición deseada.

⚠ ADVERTENCIA Tenga en cuenta la trayectoria de la hoja de sierra. Haga una prueba en vacío con la sierra APAGADA, realizando un ciclo de corte simulado, y observe la trayectoria proyectada de la hoja de sierra. Mantenga las manos por lo menos a seis (6) pulgadas (152mm) de la trayectoria proyectada de la hoja de sierra.

3. Apriete la tuerca estriada.
4. Después de cortar una ranura, "APAGUE" la sierra y espere a que la hoja se detenga.
5. Para retirar el material entre cortes, mueva la pieza de trabajo hacia la derecha o hacia la izquierda. La sierra se debe detener por completo antes de mover la pieza de trabajo.



Operaciones de la sierra

Corte de moldura de base


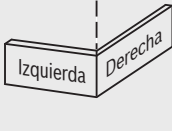
Las molduras de base se pueden cortar en dirección vertical afirmándolas contra el tope-guía u horizontal sobre la mesa. El tamaño máximo vertical contra el tope-guía es de (6-3/4 pulgadas [171mm]), o (13-1/2 pulgadas [343mm]) horizontal sobre la

mesa.

Consulte la tabla siguiente para obtener consejos útiles sobre el corte de molduras de base con esquinas de 90°.

El corte de moldura de base se puede hacer como un corte de troceado o como un corte deslizante según la anchura de la pieza de trabajo.

INSTRUCCIONES PARA EL CORTE DE MOLDURA DE BASE

POSICIÓN DE LA MOLDURA EN LA SIERRA →		Moldura en posición vertical: La parte posterior de la moldura está contra el tope-guía		Moldura en posición horizontal: La parte posterior de la moldura está horizontal sobre la mesa	
Angulo de bisel →		Bisel = 0°		Bisel = 45°	
Moldura que se corta →		Izquierda de la esquina	Derecha de esquina	Izquierda de la esquina	Derecha de esquina
Esquina interior de la pared 	Angulo de inglete	Izquierda a 45°	Derecha a 45°	0°	0°
	Posición de la moldura en la sierra	Parte inferior contra la mesa	Parte inferior contra la mesa	Parte inferior contra el tope-guía	Parte inferior contra el tope-guía
	Lado acabado	Conservar el lado izquierdo del corte	Conservar el lado derecho del corte	Conservar el lado izquierdo del corte	Conservar el lado side of cut
Esquina exterior de la pared 	Angulo de inglete	Derecha a 45°	Izquierda a 45°	0°	0°
	Posición de la moldura en la sierra	Parte inferior contra la mesa	Parte inferior contra la mesa	Parte inferior contra el tope-guía	Parte superior contra el tope-guía
	Lado acabado	Conservar el lado izquierdo del corte	Conservar el lado derecho del corte	Conservar el lado derecho del corte	Conservar el lado derecho del corte

Corte de moldura de corona

Los cortes de moldura de corona se deben posicionar apropiadamente que encajen exactamente.

Hay dos maneras de cortar molduras de techo: horizontal sobre la mesa, o en ángulo respecto a la mesa y al tope-guía.

El “ángulo de cara” de las molduras de techo es el que forma la parte posterior de la moldura y la superficie plana inferior que ajusta contra la pared.

Esta sierra de ingletes tiene retenes especiales de inglete a 31.6° y de bisel a 33.9°. Estos retenes permiten posicionar con facilidad la mayor parte de las molduras de techo horizontal sobre la mesa y hacer cortes precisos para esquinas de 90°. NOTA: Estos retenes no se pueden usar con

molduras de techo de 45°. (Estos retenes sólo se deben usar con molduras de techo que tengan un “ángulo de cara” de 38°).

Vea también en las página 186 las tablas de ángulos de inglete y de bisel para cortar molduras de techo que tengan ángulos de cara de 38° y 45°. Cada tabla tiene los ajustes exactos que se requieren en el inglete y en el bisel, para una gran cantidad de ángulos de esquina.

Aun cuando esos ángulos son los normales, la mayor parte de las habitaciones no tienen ángulos exactos de 90°, por lo que deberá usted hacer ajustes finos.

El Bosch GAM 220 MF y GAM 270 MFL Transportador digital / calculador de corte compuesto/ nivel/ MiterFinder opcional mide ángulos de cara y de esquina y determina automáticamente con exactitud los

Operaciones de la sierra

ajustes del inglete y del bisel necesarios para que cada moldura de corona cortada ajuste a la perfección.

MOLDURA DE CORONA ANGULADA CON LA MESA Y EL TOPE-GUÍA

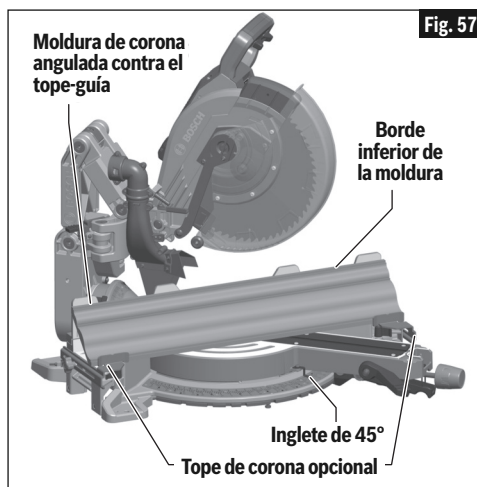
El método preferido para cortar moldura de corona con esta sierra es con la moldura descansando plana sobre la mesa.

La ventaja de cortar moldura angulada contra el tope-guía es que no se requiere ajuste de bisel. Sólo se ajusta el ángulo de inglete. La anchura máxima de la moldura de corona que se puede cortar y angular respecto a la mesa y el tope-guía es 6-1/2 pulgadas (165mm).

Cuando corte moldura de corona de esta manera, se recomienda comprar y utilizar el juego de topes de corona opcional (consulte la página 193).

Siga estas instrucciones para cortar moldura de corona angulada con la mesa y el tope-guía.

1. Posicione la moldura de manera que la parte inferior (la parte decorativa, que se instala contra la pared) esté contra el tope-guía.
2. Para una esquina de 90°, ajuste el ángulo de inglete utilizando el cuadro que aparece más abajo. Apriete el pomo de



fijación de inglete.

3. Soporte la moldura de corona contra el tope-guía (consulte "Posición del cuerpo y las manos" en la página 165).

⚠ ADVERTENCIA Tenga en cuenta la trayectoria de la hoja de sierra. Haga una prueba en vacío con la sierra APAGADA, realizando un ciclo de corte simulado, y observe la

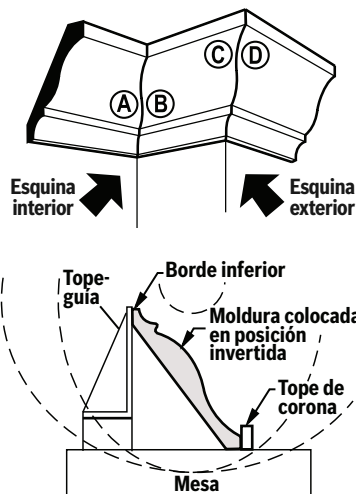
Ajustes de inglete y bisel para cortes de moldura de corona estándar

(cuando la pieza de trabajo está angulada contra el tope-guía)

Suposiciones – La moldura está molturada uniformemente. La esquina es de 90°.

Para otros ángulos de esquina, divida la medida real por 2.

Para cualquier moldura de corona hasta 6 pulgadas (152mm)		
Nota: Coloque siempre el borde inferior contra el tope-guía	Ajuste de inglete (mesa)	Ajuste de bisel (inclinación)
Esquina interior – Extremo izquierdo (A) Use el extremo izquierdo del corte	45° a la derecha	0° a la izquierda
Extremo derecho (B) Use el extremo derecho del corte	45° a la izquierda	0° a la derecha
Esquina exterior – Extremo izquierdo (C) Use el extremo izquierdo del corte	45° a la izquierda	0° a la derecha
Extremo derecho (D) Use el extremo derecho del corte	45° a la derecha	0° a la izquierda



Operaciones de la sierra

trayectoria proyectada de la hoja de sierra. Mantenga las manos por lo menos a seis (6) pulgadas (152mm) de la trayectoria proyectada de la hoja de sierra.

4. Siga los procedimientos para realizar cortes de troceado o deslizantes (consulte las páginas 172–173).
5. Espere a que la hoja se detenga por completo antes de devolver el ensamblaje del cabezal a la posición elevada y/o retirar la pieza de trabajo.

NOTA: Haga siempre un corte de prueba utilizando una pieza de desecho para confirmar que los ángulos son correctos.

MOLDURA DE CORONA COLOCADA HORIZONTALMENTE SOBRE LA MESA

NOTA: Coloque la pieza con su parte posterior recargada de forma horizontal sobre la mesa de la sierra.

Ponga siempre la orilla superior de la moldura contra el tope-guía (con el lado decorativo hacia la parte inferior de la moldura de techo.)

“Ángulo de cara” es el que forman la pared y la moldura de techo.

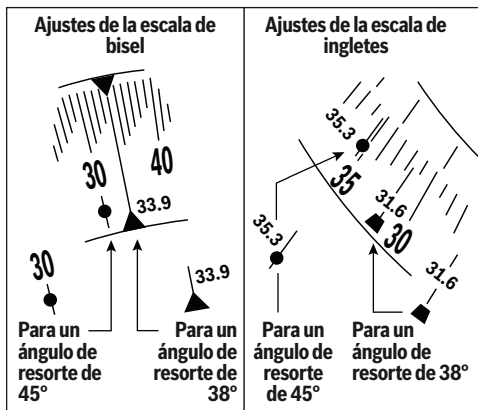
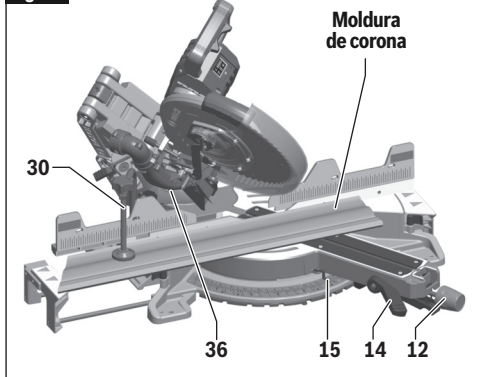
El corte de una moldura de techo en posición horizontal sobre la mesa se puede hacer como un corte de troceado (pasante) o como un corte deslizante (de ranura), dependiendo del ancho de la pieza de trabajo. Consulte el tope-guía auxiliar especial para piezas de corte estrechas cuando corte moldura de corona plana sobre la mesa (consulte la página 187).

1. Para una esquina de 90°, establezca los ángulos de inglete 15 y de bisel 36 de acuerdo con las tablas de abajo. Apriete el pomo de fijación de inglete 12 y la palanca de fijación de bisel 14.
2. Posicione la moldura sobre la mesa de la sierra. Sujete la pieza en su lugar con la abrazadera de acción rápida 30.

⚠ ADVERTENCIA Use una posición de fijación con abrazadera que no interfiera con la operación. Antes de encender la sierra, baje el ensamblaje del cabezal para asegurarse de que la abrazadera no toque ni el protector ni el ensamblaje del cabezal.

⚠ ADVERTENCIA Tenga en cuenta la trayectoria de la hoja de sierra. Haga una prueba en

Fig. 58



vacío con la sierra APAGADA, realizando un ciclo de corte simulado, y observe la trayectoria proyectada de la hoja de sierra. Mantenga las manos por lo menos a seis (6) pulgadas (152mm) de la trayectoria proyectada de la hoja de sierra.

3. Siga los procedimientos para corte de troceado o para corte deslizante (vea la páginas 172–173).
4. Espere hasta que la hoja se detenga por completo antes de volver a colocar el ensamblaje del cabezal en la posición subida y/o retirar la pieza de trabajo.

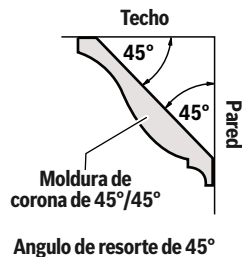
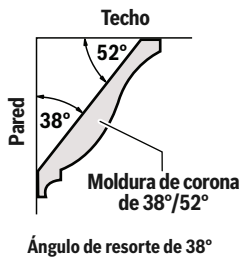
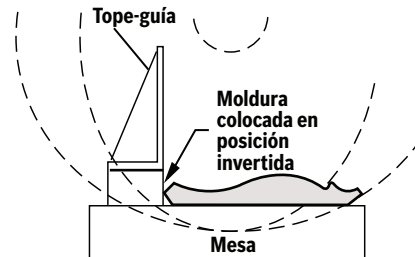
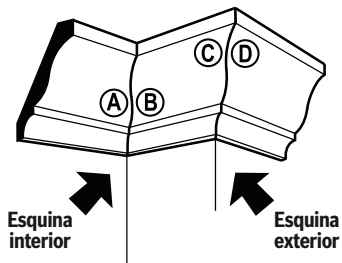
NOTA: Haga siempre un corte de prueba usando madera de desecho para confirmar que los ángulos son correctos.

Operaciones de la sierra

Ajustes de ingletes y biseles para cortes en molduras de techo normales (con la moldura plana sobre la mesa)

Condiciones: La moldura tiene un perfil constante. La esquina tiene 90° exactamente

	El ángulo de cara de la moldura es 38 grados		El ángulo de cara de la moldura es 45 grados	
	Ajuste de inglete (mesa)	Ajuste de bisel (inclinación)	Ajuste de inglete (mesa)	Ajuste de bisel (inclinación)
Nota: Coloque siempre el borde inferior contra el tope-guía				
Esquina interior – Extremo izquierdo (A) Use el extremo izquierdo del corte	31.6° a la derecha	33.9° a la izquierda	35.3° a la derecha	30° a la izquierda
Extremo derecho (B) Use el extremo derecho del corte	31.6° a la izquierda	33.9° a la derecha	35.3° a la izquierda	30° a la derecha
Esquina exterior – Extremo izquierdo (C) Use el extremo izquierdo del corte	31.6° a la izquierda	33.9° a la derecha	35.3° a la izquierda	30° a la derecha
Extremo derecho (D) Use el extremo derecho del corte	31.6° a la derecha	33.9° a la izquierda	35.3° a la derecha	30° a la izquierda



Operaciones de la sierra

Tope-guía auxiliar para moldura de corona

⚠ ADVERTENCIA Cuando haga un corte compuesto en una moldura ubicada en posición plana sobre la mesa, las piezas de corte estrechas (de 2" (50mm) de ancho o menos) pueden ser propulsadas a alta velocidad sobre el tope-guía y más allá de la parte trasera de la herramienta (ver la Fig. 59). Use el tope-guía auxiliar de acuerdo con las instrucciones y de la manera que se muestra en las figuras que aparecen a continuación.

Se utiliza un tope-guía auxiliar para añadir soporte a la pieza de corte, tal como una moldura de corona grande, cuando se corta plana sobre la mesa (vea la Fig. 60). Este tope-guía auxiliar reducirá el astillado y el movimiento de la pieza de corte de madera no soportada después de realizar el corte.

ELABORACIÓN DE UN TOPE-GUÍA AUXILIAR:

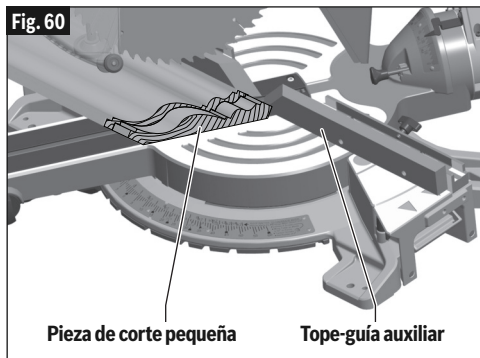
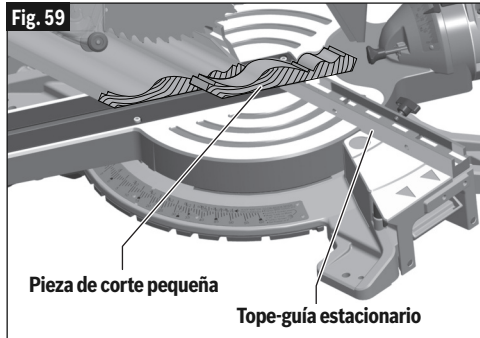
Piezas requeridas:

- Tabla de madera (descrita más adelante)
- 4 tornillos para metales de cabeza plana de 1/4" (M6) de diámetro;
- 2-1/2 pulgadas (65mm) de longitud
- 4 arandelas planas de 1/4" (6mm)
- 4 tuercas

1. Corte una tabla de madera de 1 x 2 pulgadas nominales para que tenga una longitud de 26-1/16" (662mm). Nota: 1 x 2 pulgadas nominales equivalen a 3/4" x 1-1/2" (19x38mm) reales. Esta tabla se puede sustituir con madera contrachapada de 3/4" (19mm) cortada con el tamaño deseado.
2. Haga 4 agujeros a través de la tabla utilizando una broca taladradora de 5/16" (8mm) de diámetro. Avellane los agujeros con una profundidad suficiente como para que los tornillos de cabeza plana descansen por debajo de la superficie de trabajo delantera. Use una broca taladradora de 1/2" (13mm) de diámetro. Vea la Fig. 61.

Quite los tope-guía deslizantes de la herramienta. Vea la página 167.

1. Coloque los tornillos de cabeza plana a través de los agujeros del tope-guía auxiliar y luego a través de los agujeros del



tope-guía estacionario que está en la herramienta.

2. Coloque las arandelas y las tuercas sobre las roscas de los tornillos y contra el tope-guía estacionario. Apriete las tuercas.

USO DEL TOPE-GUÍA AUXILIAR POR PRIMERA VEZ:

Nota: La primera vez que se use el tope-guía auxiliar, la hoja de sierra lo atravesará con un corte pasante; el corte pasante crea una holgura mínima que reduce el astillado en la pieza de trabajo. Ajuste el ángulo de inglete y el ángulo de bisel requeridos antes de hacer el primer corte. Sujete con abrazaderas la pieza de trabajo y luego haga el corte.

⚠ ADVERTENCIA Tenga en cuenta la trayectoria de la hoja de sierra. Haga una prueba en vacío con la sierra APAGADA, realizando un ciclo de corte simulado, y observe la trayectoria proyectada de la hoja de sierra. Mantenga las manos por lo menos

Operaciones de la sierra

a seis (6) pulgadas (152mm) de la trayectoria proyectada de la hoja de sierra.

Ejemplo: Corte compuesto de moldura de corona grande ubicada en posición plana sobre la mesa. Vea la Fig. 58.

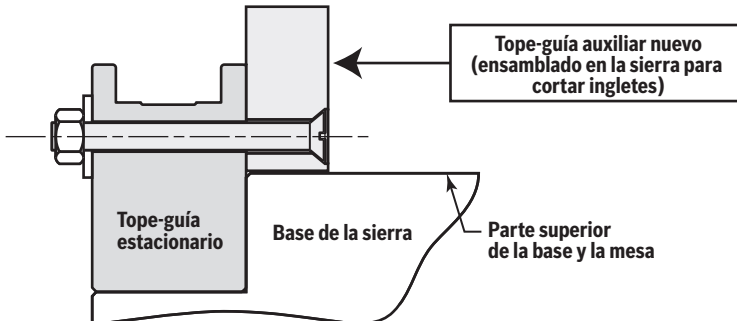
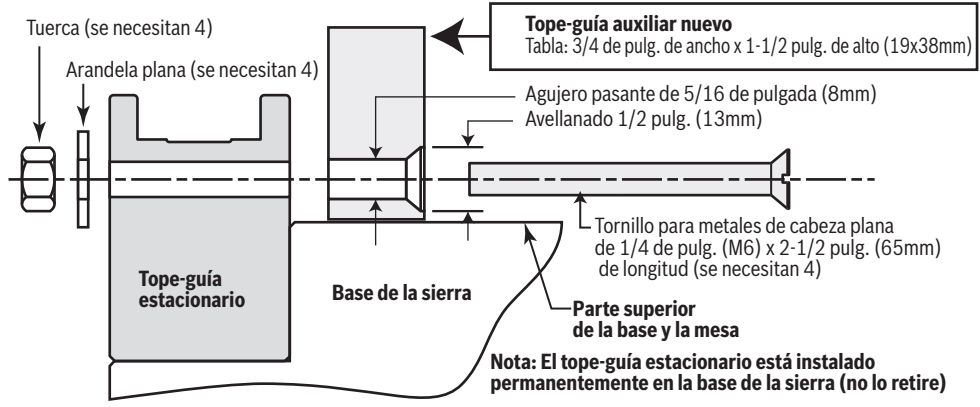
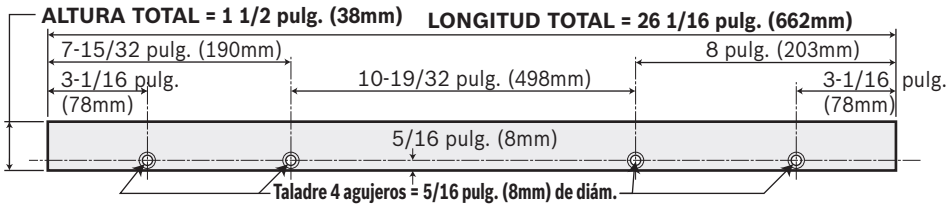
Tope-guía auxiliar – La utilización de un tope-guía auxiliar cuando se corta moldura de corona plana sobre la mesa reducirá el astillamiento de la pieza de trabajo y el movimiento de las piezas de corte pequeñas. Retire los tope-guía deslizantes de la sierra (consulte la página 167) antes de instalar el tope-guía auxiliar.

Construya un tope-guía auxiliar siguiendo el

patrón que se indica a continuación. Material: Madera de 3/4 de pulgada x 1-1/2 pulgada (19x38mm).

Añada 4 agujeros tal y como están dimensionados en el patrón -o- Añada agujeros siguiendo los siguientes pasos:

1. Corte la madera con las dimensiones exteriores mostradas y sujétela temporalmente al tope-guía estacionario de la sierra utilizando dos abrazaderas en C.
2. Utilice una broca taladradora de 1/4 de pulgada (6mm) para taladrar primero a través de los agujeros existentes en la parte trasera del tope-guía estacionario y luego a través de la madera.



Operaciones de la sierra

3. Retire la madera, avellane la parte delantera de la madera e instálela permanentemente en el tope-guía de la sierra con los herrajes que se muestran más abajo a continuación.

Cortes especiales

⚠ ADVERTENCIA Utilice una posición de sujeción con abrazadera que no interfiera con la operación. Antes de encender la sierra, baje el ensamblaje del cabezal para asegurarse de que la abrazadera no toque ni el protector ni el ensamblaje del cabezal.

⚠ ADVERTENCIA Tenga en cuenta la trayectoria de la hoja de sierra. Haga una prueba en vacío con la sierra APAGADA, realizando un ciclo de corte simulado, y observe la trayectoria proyectada de la hoja de sierra. Mantenga las manos por lo menos a seis (6) pulgadas (152mm) de la trayectoria proyectada de la hoja de sierra.

⚠ ADVERTENCIA Para proporcionar suficiente separación (6 pulgadas [152mm] como mínimo) entre la mano y la hoja de sierra, extienda el tope-guía deslizante y las extensiones de la base cuando haga cortes en bisel, a inglete o compuestos, Fig. 31.

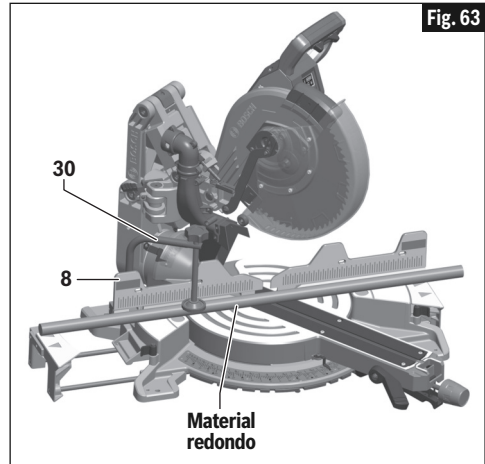
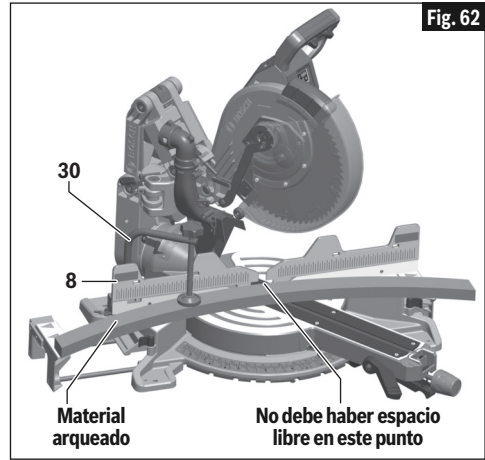
Los cortes de material arqueado y de material redondo son solamente dos ejemplos de cortes especiales.

CORTE DE MATERIAL ARQUEADO

Si la pieza de trabajo está arqueada o combada, fíjela con abrazadera con la cara exterior arqueada orientada hacia el tope-guía 8. Asegúrese siempre de que no haya espacio libre entre la pieza de trabajo, el tope-guía y la mesa a lo largo de la línea de corte. Las piezas de trabajo dobladas o combadas pueden torcerse u oscilar y pueden causar atasco en la hoja de sierra que gira durante el corte (vea la Fig. 62).

CORTE DE MATERIAL REDONDO O QUE TENGA FORMA IRREGULAR

Para material redondo, tal como varillas con espiga o tubos, use siempre una abrazadera 30 o un dispositivo de sujeción diseñado para fijar la pieza de trabajo firmemente



contra el tope-guía y la mesa. Las varillas tienen tendencia a rodar mientras son cortadas, haciendo que la hoja "muerda" y tire de la pieza de trabajo con la mano del operador hacia la hoja (vea la Fig. 63).

Mantenimiento y lubricación

⚠ ADVERTENCIA Para evitar accidentes desconecte el paquete de batería de la herramienta antes de la limpieza o de la realización de cualquier mantenimiento.

Servicio de ajustes y reparaciones

⚠ ADVERTENCIA Todo el servicio de ajustes y reparaciones de la herramienta deberá ser realizado por un Centro de Servicio de Fábrica Bosch o una Estación de Servicio Bosch Autorizada. Es posible que el mantenimiento preventivo realizado por personal no autorizado dé lugar a una colocación incorrecta de los cables y componentes internos, lo cual podría causar un peligro grave.

Baterías

Esté alerta a los paquetes de baterías que estén aproximándose al final de su vida útil. Si observa una disminución del rendimiento de la herramienta o un tiempo de funcionamiento significativamente más corto entre cargas, entonces ha llegado el momento de cambiar el paquete de baterías. Si no se hace esto, el resultado puede ser que la herramienta funcione incorrectamente o que el cargador se dañe.

Cuidado de las hojas

Las hojas se desafilan incluso al cortar madera normal. Si usted tiene que forzar la sierra hacia adelante para que corte, en vez de simplemente guiarla a través del corte, lo más probable es que la hoja esté desafilada o cubierta de resina de madera.

Cuando limpie la hoja para eliminar goma y resina, saque la batería de la sierra y retire la hoja. Recuerde, las hojas están diseñadas para cortar, así que manipúlelas cuidadosamente. Limpie la hoja con queroseno o con un disolvente similar para eliminar la goma y la resina. A menos que usted tenga experiencia en afilar hojas, le recomendamos que no lo intente.

Lubricación de las herramientas

⚠ ADVERTENCIA El mantenimiento preventivo realizado por personal no autorizado

puede tener como resultado la colocación incorrecta de cables y componentes internos, lo cual podría causar un peligro grave. Recomendamos que todo el servicio de ajustes y reparaciones de la herramienta sea realizado por un Centro de Servicio de Fábrica Bosch o por una Estación de Servicio Bosch Autorizada.

Lubrique periódicamente las piezas en movimiento con silicona, o un rocío de aceite liviano. No utilice grasa porque tiende a atraer y retener el serrín

Cojinetes

Todos los cojinetes de esta herramienta están lubricados con una cantidad suficiente de lubricante de alto grado para la vida de la unidad en circunstancias normales de funcionamiento. No se requiere lubricación adicional.

Limpieza

⚠ PRECAUCIÓN Ciertos agentes de limpieza y disolventes dañan las piezas de plástico. Algunos de estos son: gasolina, tetracloruro de carbono, disolventes de limpieza clorados, amoníaco y detergentes domésticos que contienen amoníaco.

Las aberturas de ventilación y las palancas de interruptor deben mantenerse limpias y libres de materias extrañas. No intente limpiar introduciendo objetos puntiagudos a través de las aberturas.

Revise periódicamente para asegurarse de que el protector inferior y todas las piezas móviles estén funcionando en forma adecuada.

Utilice un cepillo o una aspiradora para eliminar cualquier aserrín o residuo que pueda interferir con el funcionamiento del protector inferior.

Localización y reparación de averías

Guía de localización y reparación de averías eléctricas

PROBLEMA	CAUSA	MEDIDA DE CORRECCION
El freno no detiene la hoja al cabo de 5 segundos.	<ol style="list-style-type: none"> 1. Perno de la hoja flojo. 2. Otra. 	<ol style="list-style-type: none"> 1. Apriete el perno de la hoja. 2. Servicio autorizado.
El motor no arranca.	<ol style="list-style-type: none"> 1. El paquete de batería no está cargado. 2. El paquete de batería no está instalado apropiadamente. 3. La temperatura del paquete de batería es demasiado alta o demasiado baja para utilizar dicho paquete. 4. La protección electrónica del motor apagó la herramienta. 5. El interruptor está quemado. 6. Otra. 	<ol style="list-style-type: none"> 1. Si es necesario, cargue la batería. 2. Confirme que la batería está bloqueada y firmemente sujeta en la herramienta. 3. Deje que la batería se asiente unos minutos hasta que alcance la temperatura de funcionamiento normal. 4a. Retire la batería y reinstálela. 4b. Deje que la herramienta se asiente unos minutos o hasta que alcance la temperatura de funcionamiento normal. 5. Haga que el interruptor sea reemplazado por un Centro de Servicio Bosch Autorizado o una Estación de Servicio Bosch Autorizada. 6. Servicio autorizado.

Guía de localización y reparación de averías generales

PROBLEMA	CAUSA	MEDIDA DE CORRECCION
El ensamblaje del cabezal no se inclina hasta la posición deseada.	<ol style="list-style-type: none"> 1. El pasador de retén de bisel está acoplado y fija el ángulo de bisel a 33.9°. 2. El ajuste de la perilla de sobrecontrol de retenes de bisel limita el movimiento. 	<ol style="list-style-type: none"> 1. Jale hacia fuera el pasador de retén de bisel de 33.9° y luego rote el pasador 1/4 de vuelta para mantenerlo fuera. 2. Cambie la posición del pomo selector del intervalo de bisel (consulte la página 178).
La hoja golpea la mesa.	Desalineación.	Servicio autorizado.
El ángulo de corte no es preciso.	Los topes de ángulo a 0° o 45° necesitan ajuste.	Vea la sección Ajustes (páginas 150–159).

Localización y reparación de averías

PROBLEMA	CAUSA	MEDIDA DE CORRECCION
No se puede rotar la mesa para cambiar el ángulo de inglete	<ol style="list-style-type: none"> 1. El pomo de fijación de inglete está apretado. 2. La palanca de retén de inglete está acoplada con un retén (ranura) en la placa de retén. 3. Acumulación de aserrín. 	<ol style="list-style-type: none"> 1. Gire el pomo de fijación de inglete en sentido contrario al de las agujas del reloj para aflojarlo. 2. Jale hacia arriba la palanca de retén de inglete para desacoplarla de la ranura para retén (consulte la página 171). 3. Elimine el polvo alrededor de la mesa giratoria usando un aspiradora o aire comprimido; use protección de los ojos.
El ensamblaje del cabezal no sube completamente o el protector de la hoja no se cierra completamente.	<ol style="list-style-type: none"> 1. El pasador del ensamblaje del cabezal está acoplado. 2. Acumulación de serrín. 3. Acumulación de serrín. 	<ol style="list-style-type: none"> 1. Jale hacia fuera el pasador de fijación, permitiendo que el ensamblaje del cabezal suba (consulte la página 152). 2. Limpie el ensamblaje del cabezal. 3. Servicio autorizado.
La hoja se engancha, se atasca, quema la madera. Cortes bastos.	<ol style="list-style-type: none"> 1. Funcionamiento inadecuado. 2. Hoja desafilada. 3. Hoja inadecuada. 4. Hoja doblada. 	<ol style="list-style-type: none"> 1. Consulte la sección "Operaciones de la sierra". 2. Cambie o afile la hoja. 3. Cámbiela por una hoja de 12 pulgadas (305mm) de diámetro diseñada para el material que se esté cortando. 4. Cambie la hoja.
El ensamblaje del cabezal se desliza hacia adelante y hacia atrás al hacer un corte de troceado.	La palanca de fijación del mecanismo está desacoplada.	Jale hacia arriba la lengüeta de la palanca de fijación del mecanismo para acoplarla (consulte la página 151).
El ángulo de bisel no se mantiene firmemente cuando la palanca de fijación de bisel está empujada.	La palanca de fijación de bisel necesita un ajuste de tensión.	Aumente la fuerza de la palanca de fijación de bisel ajustando la tuerca de tensión (consulte la página 155).
Es difícil mover el mecanismo deslizante hacia delante y hacia atrás.	El controlador del movimiento está ajustado demasiado apretado.	Afloje los dos tornillos ubicados en el controlador del movimiento (consulte la página 150).

Localización y reparación de averías

PROBLEMA	CAUSA	MEDIDA DE CORRECCION
La herramienta vibra o tiembla.	<ol style="list-style-type: none"> 1. Hoja de sierra no redonda. 2. Hoja de sierra dañada. 3. Hoja de sierra floja. 4. Otra. 	<ol style="list-style-type: none"> 1. Cambie la hoja. 2. Cambie la hoja. 3. Asegúrese de que la hoja esté asentada apropiadamente sobre la arandela interna. Consulte "Remoción e instalación de las hojas" en las páginas 147-148. 4. Servicio autorizado.
El ensamblaje del cabezal no se desliza libremente al intentar un corte deslizando.	La palanca de fijación del mecanismo está acoplada.	Empuje hacia abajo sobre la palanca de fijación del mecanismo para desacoplarla (consulte la página 151).
La hoja no corta completamente la pieza de trabajo.	<ol style="list-style-type: none"> 1. El tornillo del tope de profundidad está ajustado para el corte de ranuras. 2. La hoja de repuesto mide menos de 12 pulgadas (305mm) de diámetro. 	<ol style="list-style-type: none"> 1. Empuje la placa del tope de profundidad hacia adentro para ajustar para cortes de profundidad completa (consulte la página 152). 2. Cambie a una hoja que mida un total de 12 pulgadas (305mm) de diámetro.
La hoja de sierra o el protector inferior corta o contacta el tope-guía deslizando cuando está ajustada para cortes en bisel.	El tope-guía deslizando no es movido hacia fuera de la trayectoria de la hoja de sierra antes de hacer el corte en bisel.	Mueva el tope-guía deslizando para que no toque el protector inferior ni la hoja de sierra; realice un "corte en seco" para comprobar las holguras antes de hacer cortes en bisel (consulte la páginas 177-180).
El ángulo de bisel no se mantiene firmemente cuando la palanca de fijación de bisel está fija.	La palanca de fijación de bisel necesita un ajuste de tensión.	Aumente la tensión de la palanca de fijación de bisel ajustando la tuerca de fijación (consulte la página 155).

Aditamentos/Accesorios

- **GAM 220 MF y GAM 270 MFL Buscador de ángulo digital / Calculador de corte compuesto / Transportador / Nivel** – Muestra la información necesaria para trazar los cortes de modo que ajusten con precisión entre sí, aun cuando la habitación no tenga paredes a escuadra.
- **Juego de topes de corona MS1233** – Sujete correctamente la moldura de corona en una posición inclinada contra el tope-guía. Ajuste la moldura para corte vertical simple. No se requiere corte compuesto.
- **Base de soporte portátil T1B**
- **Base de soporte portátil con ruedas GTA3800**
- **Base de soporte con ruedas de elevación por gravedad para sierras para cortar ingletes T4B**
- **Kit de tope de longitud MS1234**
- **Hojas**

Notes / Remarques / Notas

This page was intentionally left blank
Cette page a été laissée vierge intentionnellement.
Esta página se dejó intencionalmente en blanco

Notes / Remarques / Notas

This page was intentionally left blank
Cette page a été laissée vierge intentionnellement.
Esta página se dejó intencionalmente en blanco

LIMITED WARRANTY OF BOSCH PORTABLE AND BENCHTOP POWER TOOLS

Robert Bosch Tool Corporation ("Seller") warrants to the original purchaser only, that all BOSCH portable and benchtop power tools will be free from defects in material or workmanship for a period of one year from date of purchase. SELLER'S SOLE OBLIGATION AND YOUR EXCLUSIVE REMEDY under this Limited Warranty and, to the extent permitted by law, any warranty or condition implied by law, shall be the repair or replacement of parts, without charge, which are defective in material or workmanship and which have not been misused, carelessly handled, or misrepaired by persons other than Seller or Authorized Service Station. To make a claim under this Limited Warranty, you must return the complete portable or benchtop power tool product, transportation prepaid, to any BOSCH Factory Service Center or Authorized Service Station. For Authorized BOSCH Power Tool Service Stations, please refer to your phone directory.

THIS LIMITED WARRANTY DOES NOT APPLY TO ACCESSORY ITEMS SUCH AS CIRCULAR SAW BLADES, DRILL BITS, ROUTER BITS, JIGSAW BLADES, SANDING BELTS, GRINDING WHEELS AND OTHER RELATED ITEMS.

ANY IMPLIED WARRANTIES SHALL BE LIMITED IN DURATION TO ONE YEAR FROM DATE OF PURCHASE. SOME STATES IN THE U.S., SOME CANADIAN PROVINCES DO NOT ALLOW LIMITATIONS ON HOW LONG AN IMPLIED WARRANTY LASTS, SO THE ABOVE LIMITATION MAY NOT APPLY TO YOU.

IN NO EVENT SHALL SELLER BE LIABLE FOR ANY INCIDENTAL OR CONSEQUENTIAL DAMAGES (INCLUDING BUT NOT LIMITED TO LIABILITY FOR LOSS OF PROFITS) ARISING FROM THE SALE OR USE OF THIS PRODUCT. SOME STATES IN THE U.S. AND SOME CANADIAN PROVINCES DO NOT ALLOW THE EXCLUSION OR LIMITATION OF INCIDENTAL OR CONSEQUENTIAL DAMAGES, SO THE ABOVE LIMITATION OR EXCLUSION MAY NOT APPLY TO YOU.

THIS LIMITED WARRANTY GIVES YOU SPECIFIC LEGAL RIGHTS, AND YOU MAY ALSO HAVE OTHER RIGHTS WHICH VARY FROM STATE TO STATE IN THE U.S., PROVINCE TO PROVINCE IN CANADA AND FROM COUNTRY TO COUNTRY.

THIS LIMITED WARRANTY APPLIES ONLY TO PORTABLE AND BENCHTOP ELECTRIC TOOLS SOLD WITHIN THE UNITED STATES OF AMERICA, CANADA AND THE COMMONWEALTH OF PUERTO RICO. FOR WARRANTY COVERAGE WITHIN OTHER COUNTRIES, CONTACT YOUR LOCAL BOSCH DEALER OR IMPORTER.

GARANTIE LIMITÉE DES OUTILS ÉLECTRIQUES PORTATIFS ET D'ÉTABLI BOSCH

Robert Bosch Tool Corporation (le « vendeur ») garantit à l'acheteur initial seulement que tous les outils électriques portatifs et d'établi BOSCH seront exempts de vices de matériaux ou d'exécution pendant une période d'un an depuis la date d'achat. LA SEULE OBLIGATION DU VENDEUR ET LE SEUL RECOURS DE L'ACHETEUR sous la présente garantie limitée, et en autant que la loi le permette sous toute garantie ou condition implicite qui en découlerait, sera l'obligation de remplacer ou réparer gratuitement les pièces défectueuses matériellement ou comme fabrication, pourvu que les dites défectuosités ne soient pas attribuables à un usage abusif ou à quelque réparation bricolée par quelqu'un d'autre que le vendeur ou le personnel d'une station-service agréée. Pour présenter une réclamation en vertu de cette garantie limitée, vous devez renvoyer l'outil électrique portatif ou d'établi complet, port payé, à tout centre de service agréé ou centre de service usine. Veuillez consulter votre annuaire téléphonique pour les adresses.

LA PRÉSENTE GARANTIE NE S'APPLIQUE PAS AUX ACCESSOIRES TELS QUE LAMES DE SCIES CIRCULAIRES, MÊCHES DE PERCEUSES, FERS DE TOUPIES, LAMES DE SCIES SAUTEUSES, COURROILES DE PONÇAGE, MÊLES ET AUTRES ARTICLES DU GENRE.

TOUTE GARANTIE IMPLICITE SERA LIMITÉE COMME DURÉE À UN AN À COMPTER DE LA DATE D'ACHAT. CERTAINS ÉTATS AMÉRICAINS, CERTAINES PROVINCES CANADIENNES N'ADMETTANT PAS LE PRINCIPE DE LA LIMITATION DE LA DURÉE DES GARANTIES IMPLICITES, IL EST POSSIBLE QUE LES LIMITATIONS CI-DESSUS NE S'APPLIQUENT PAS À VOTRE CAS.

EN AUCUN CAS LE VENDEUR NE SAURAIT ÊTRE TENU POUR RESPONSABLE DES INCIDENTS OU DOMMAGES INDIRECTS (INCLUANT, MAIS NE SE LIMITANT PAS AUX PERTES DE PROFITS) CONSÉCUTIFS À LA VENTE OU L'USAGE DE CE PRODUIT. CERTAINS ÉTATS AMÉRICAINS ET CERTAINES PROVINCES CANADIENNES N'ADMETTANT PAS LE PRINCIPE DE LA LIMITATION NI L'EXCLUSION DES DOMMAGES INDIRECTS ET CONSÉQUENTIELS, IL EST POSSIBLE QUE LES LIMITATIONS OU EXCLUSIONS CI-DESSUS NE S'APPLIQUENT PAS À VOTRE CAS.

LA PRÉSENTE GARANTIE VOUS ACCORDE DES DROITS BIEN DÉTERMINÉS, Y COMPRIS POSSIBLEMENT CERTAINS DROITS VARIABLES DANS LES DIFFÉRENTS ÉTATS AMÉRICAINS, PROVINCES CANADIENNE ET DE PAYS À PAYS.

CETTE GARANTIE LIMITÉE NE S'APPLIQUE QU'AUX OUTILS ÉLECTRIQUES PORTATIFS ET D'ÉTABLI VENDUS AUX ÉTATS-UNIS D'AMÉRIQUE, AU CANADA ET AU COMMONWEALTH DE PORTO RICO. POUR COUVERTURE DE GARANTIE DANS LES AUTRES PAYS, CONTACTEZ VOTRE IMPORTATEUR OU REVendeur BOSCH LOCAL.

GARANTIA LIMITADA PARA HERRAMIENTAS MECANICAS PORTATILES Y PARA TABLERO DE BANCO BOSCH

Robert Bosch Tool Corporation ("el Vendedor") garantiza, únicamente al comprador original, que todas las herramientas mecánicas portátiles y para tablero de banco BOSCH estarán libres de defectos de material o de fabricación durante un período de un año a partir de la fecha de compra. LA ÚNICA OBLIGACION DEL VENDEADOR Y EL RECURSO EXCLUSIVO QUE USTED TIENE bajo esta Garantía Limitada y, hasta donde la ley lo permita, bajo cualquier garantía o condición implícita por ley, consistirá en la reparación o sustitución sin costo de las piezas que presenten defectos de material o de fabricación y que no hayan sido utilizadas incorrectamente, manejadas descuidadamente o reparadas incorrectamente por personas que no sean el Vendedor o una Estación de servicio autorizada. Para efectuar una reclamación bajo esta Garantía Limitada, usted debe devolver el producto, que consiste en la herramienta mecánica portátil o para tablero de banco completa, con el transporte pagado, a cualquier Centro de servicio de fábrica o Estación de servicio autorizada. Para Estaciones de servicio autorizadas de herramientas mecánicas BOSCH, por favor, consulte el directorio telefónico.

ESTA GARANTIA LIMITADA NO SE APLICA A ARTICULOS ACCESORIOS TALES COMO HOJAS PARA SIERRAS CIRCULARES, BROCAS PARA TALADROS, BROCAS PARA FREZADORAS, HOJAS PARA SIERRAS DE VAIVEN, CORREAS PARA LIJAR, RUEDAS DE AMOLAR Y OTROS ARTICULOS RELACIONADOS.

TODAS LAS GARANTIAS IMPLICITAS TENDRAN UNA DURACION LIMITADA A UN AÑO A PARTIR DE LA FECHA DE COMPRA. ALGUNOS ESTADOS DE LOS EE.UU. Y ALGUNAS PROVINCIAS CANADIENSES NO PERMITEN LIMITACIONES EN CUANTO A LA DURACION DE UNA GARANTIA IMPLICITA, POR LO QUE ES POSIBLE QUE LA LIMITACION ANTERIOR NO SEA APLICABLE EN EL CASO DE USTED.

EL VENDEADOR NO SERA RESPONSABLE EN NINGUN CASO DE NINGUN DAÑO INCIDENTAL O EMERGENTE (INCLUYENDO PERO NO LIMITADO A RESPONSABILIDAD POR PERDIDA DE BENEFICIOS) QUE SE PRODUZCA COMO CONSECUENCIA DE LA VENTA O UTILIZACION DE ESTE PRODUCTO. ALGUNOS ESTADOS DE LOS EE.UU. Y ALGUNAS PROVINCIAS CANADIENSES NO PERMITEN LA EXCLUSION O LIMITACION DE LOS DAÑOS INCIDENTALES O EMERGENTES, POR LO QUE ES POSIBLE QUE LA LIMITACION O EXCLUSION ANTERIOR NO SEA APLICABLE EN EL CASO DE USTED.

ESTA GARANTIA LIMITADA LE CONFIERE A USTED DERECHOS LEGALES ESPECIFICOS Y ES POSIBLE QUE USTED TAMBIEN TENGA OTROS DERECHOS QUE VARIAN DE ESTADO A ESTADO EN LOS EE.UU., DE PROVINCIA A PROVINCIA EN CANADA Y DE UN PAIS A OTRO.

ESTA GARANTIA LIMITADA SE APLICA SOLAMENTE A HERRAMIENTAS ELECTRICAS PORTATILES Y PARA TABLERO DE BANCO VENDIDAS EN LOS ESTADOS UNIDOS DE AMERICA, CANADA Y EL ESTADO LIBRE ASOCIADO DE PUERTO RICO. PARA COBERTURA DE GARANTIA EN OTROS PAISES, PONGASE EN CONTACTO CON SU DISTRIBUIDOR O IMPORTADOR LOCAL DE BOSCH.

© Robert Bosch Tool Corporation 1800 W. Central Road Mt. Prospect, IL 60056-2230

Exportado por: Robert Bosch Tool Corporation Mt. Prospect, IL 60056-2230, E.U.A.

Importado en México por: Robert Bosch, S.A. de C.V., Calle Robert Bosch No. 405, Zona Industrial, Toluca, Edo. de México, C.P. 50070, Tel. (722) 2792300



1 6 0 9 B 0 6 7 5 7